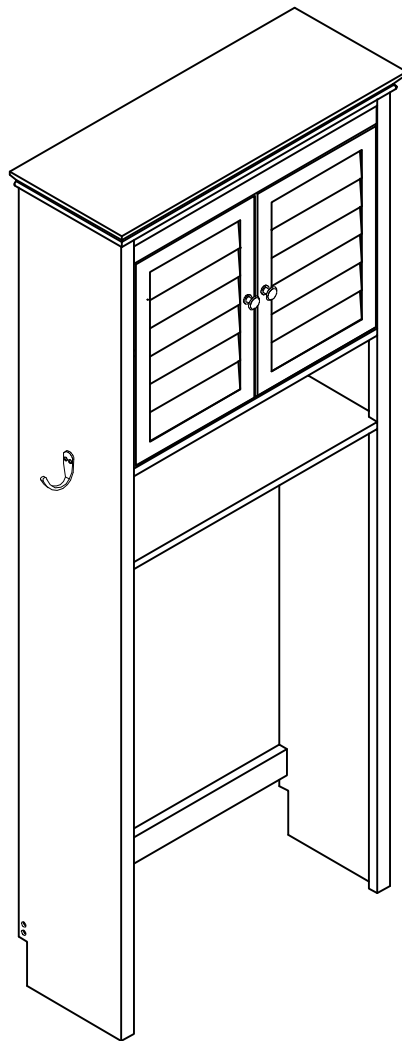
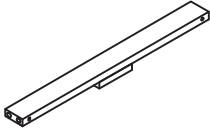
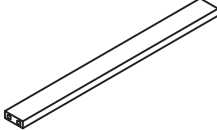
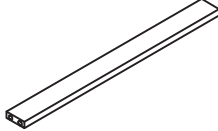
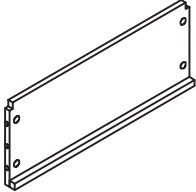
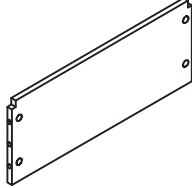
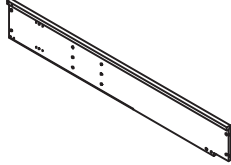
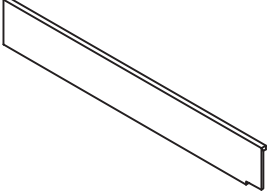
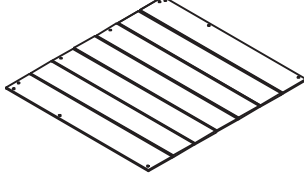
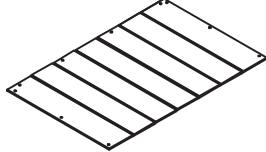
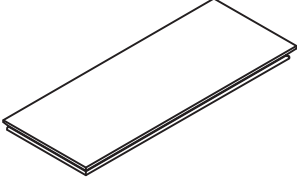
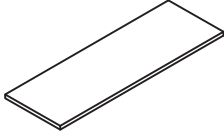
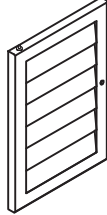
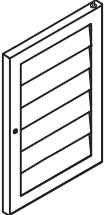



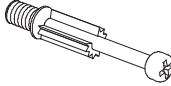
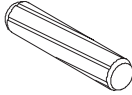
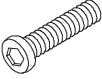

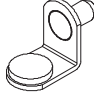
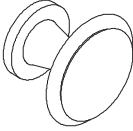

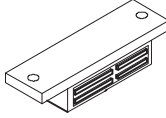
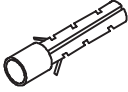
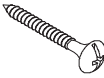


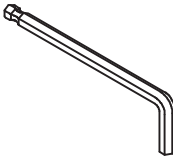
Space Saver Bathroom Cabinet






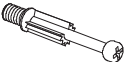


PAR T LIST

 <p>Front Top Rail</p>	 <p>Back Top Rail</p>	 <p>Back Bottom Rail</p>			
<p>1</p>	<p>1pc</p>	<p>2</p>	<p>1pc</p>	<p>3</p>	<p>1pc</p>
 <p>Up Fixed Shelf</p>	 <p>Down Fixed Shelf</p>	 <p>Right Side Panel</p>			
<p>4</p>	<p>1pc</p>	<p>5</p>	<p>1pc</p>	<p>6</p>	<p>1pc</p>
 <p>Left Side Panel</p>	 <p>Up Back Panel</p>	 <p>Down Back Panel</p>			
<p>7</p>	<p>1pc</p>	<p>8</p>	<p>1pc</p>	<p>9</p>	<p>1pc</p>
 <p>Top Panel</p>	 <p>Shelf Panel</p>	 <p>Left Door</p>			
<p>10</p>	<p>1pc</p>	<p>11</p>	<p>1pc</p>	<p>12</p>	<p>1pc</p>
 <p>Right Door</p>					
<p>13</p>	<p>1pc</p>				

HARDWARE LIST

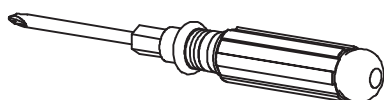
 <p>Cam Lock Ø15*12mm</p> <p>A 16pcs</p>		 <p>Cam Bolt Ø6*42mm</p> <p>B 16pcs</p>		 <p>Wood Dowel Ø8*30mm</p> <p>C 10pcs</p>	
 <p>Bolt Ø6*25mm</p> <p>D 4pcs</p>		 <p>Screw Ø3*15mm</p> <p>E 26pcs</p>		 <p>Shelf Support Ø6.5mm</p> <p>F 4pcs</p>	
 <p>Knob Ø29*27mm</p> <p>G 2pcs</p>		 <p>Round Head Bolt Ø5/32"*19mm</p> <p>H 2pcs</p>		 <p>Magnet L70*H12mm</p> <p>I 1pc</p>	
 <p>Wall Anchor Ø8*38mm</p> <p>J 2pcs</p>		 <p>Screw Ø4*38mm</p> <p>K 2pcs</p>		 <p>Hook W40*38mm</p> <p>L 2pcs</p>	
 <p>Screw Ø3*12mm</p> <p>M 4pcs</p>		 <p>Allen Key 4mm</p> <p>N 1pc</p>			

EXTRA HARDWARE LIST

 AX 2	 CX 2	 EX 3
 BX 2	 DX 1	 MX 1

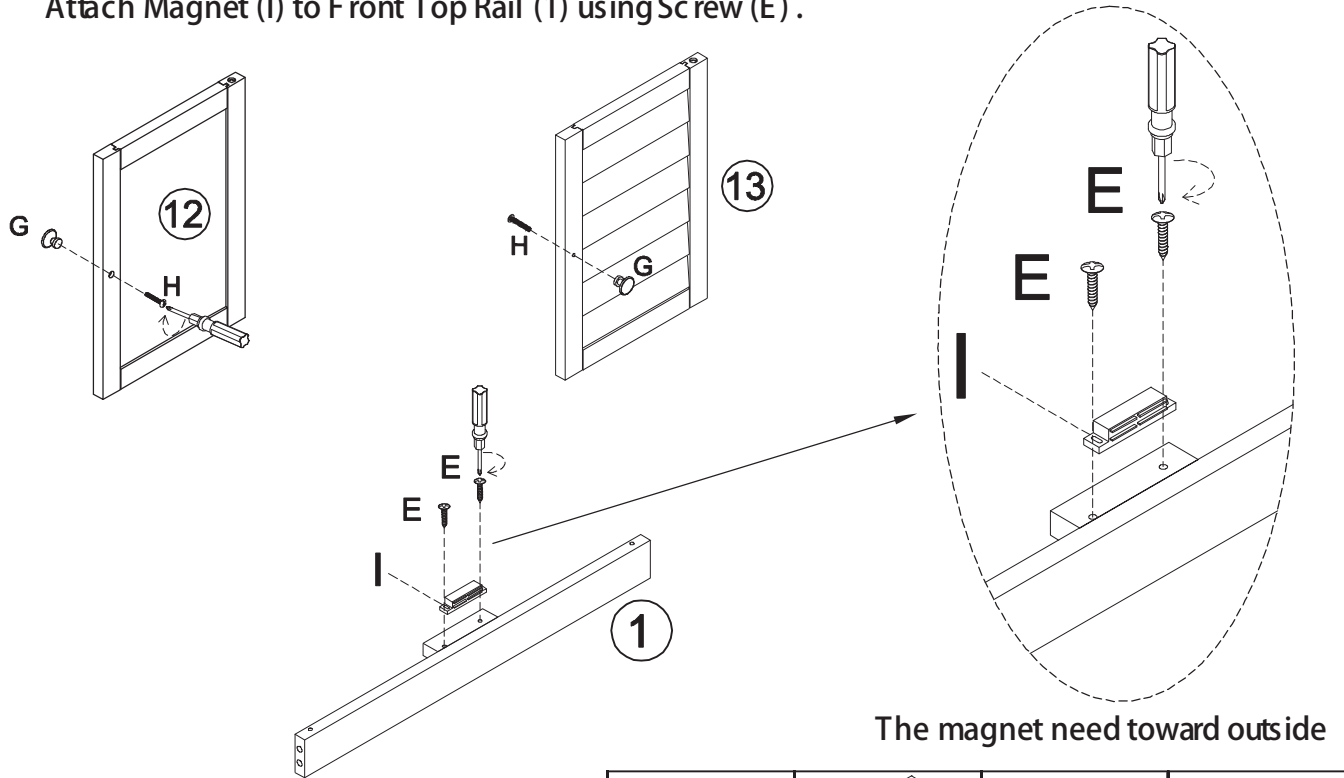
ADDITIONAL TOOLS (Not Provided)


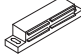


Note: It is not recommended to use power tools during assembly. However a screw gun can assist with mounting.



Phillips Head Screw Driver

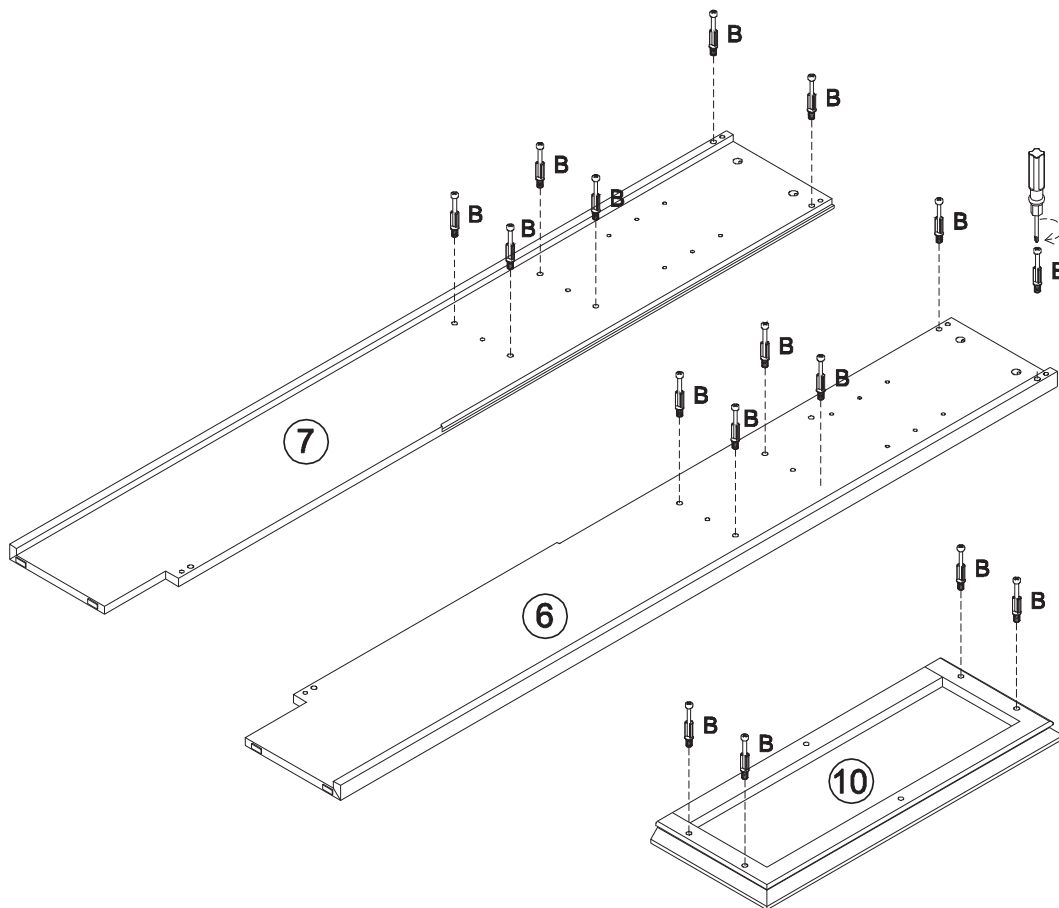
Step 1. Attach Knob (G) to Doors (12 & 13) using Round Head Bolt (H).
Attach Magnet (I) to Front Top Rail (1) using Screw (E).




			
E x 2	I x 1	H x 2	G x 2

Step 2. Fix Cam Bolt (B) to Side Panels (6 & 7) and Top Panel (10), as shown.

NOTE: Do not overtighten cam bolts. Stop tightening once threads on cam bolt are no longer visible.

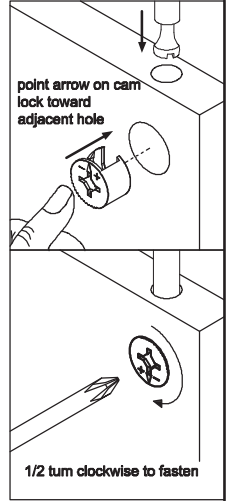
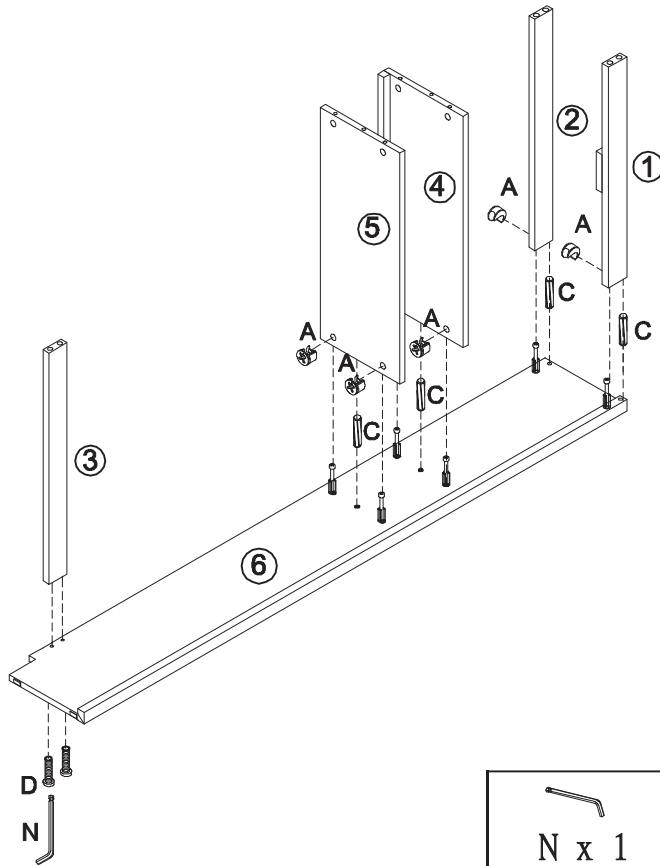




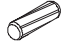

4


B x 16

Step 3. Attach Back Bottom Rail (3) to Right Side Panel (6) using Wood Bolt (D) and Allen Key (N). Attach Top Rail (1 & 2) and shelf (4 & 5) to Right Side Panel (6) using Wood Dowel (C) and Cam lock (A).

NOTE: Cam locks must rotate full 180°. See pictured insert.

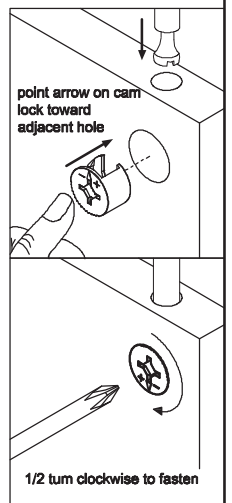
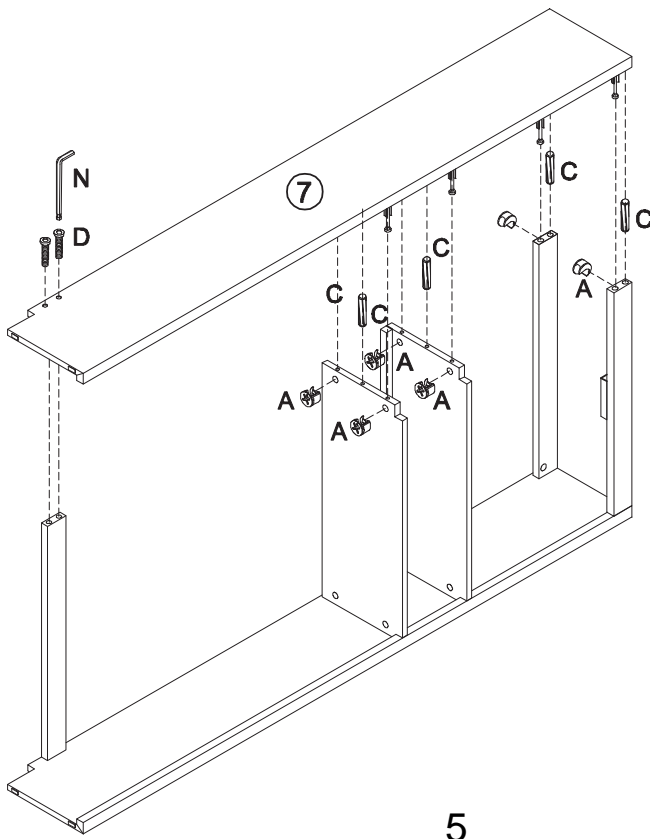



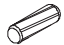

			
N x 1	A x 6	C x 4	D x 2

Step 4. Set Left Side Panel (7) into place using Wood Dowel (C), Bolt (D) and Cam lock (A).

NOTE: Once Left Side Panel are in place, fully tighten all Cam locks.

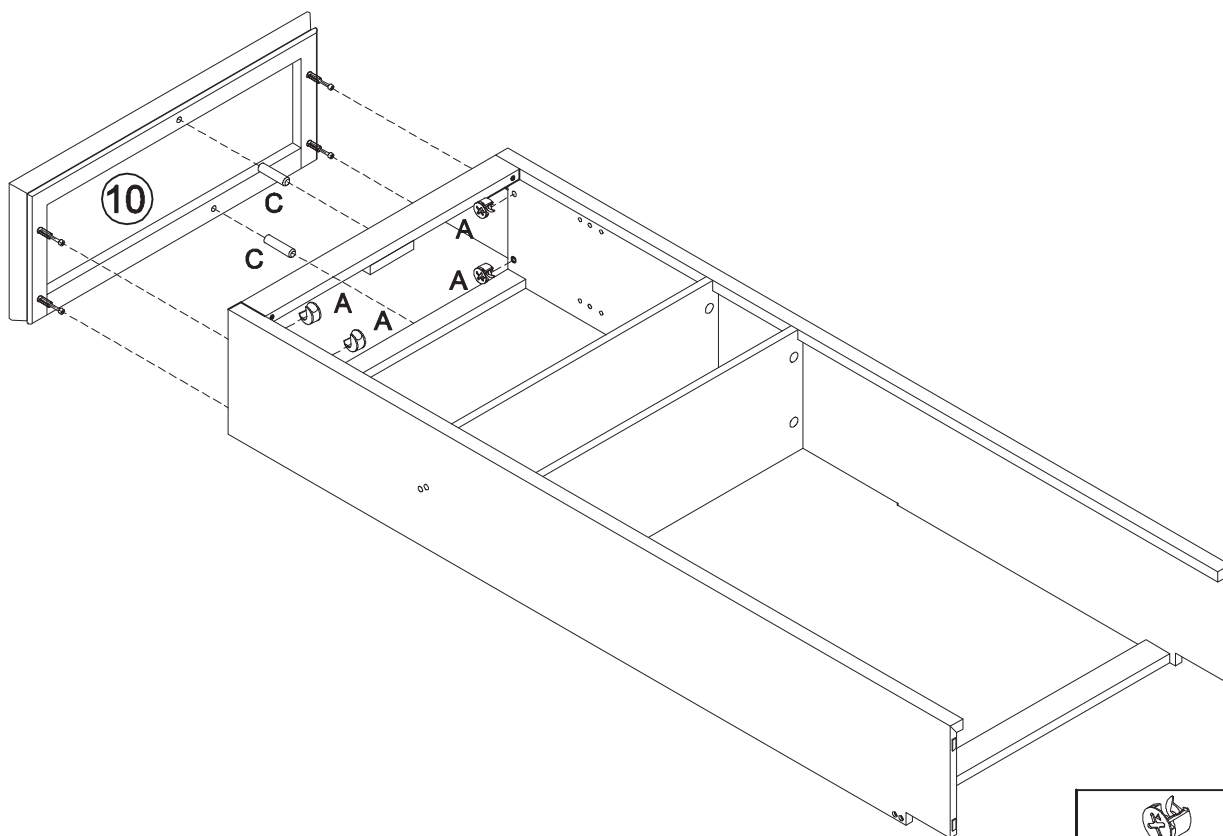
NOTE: Cam locks must rotate full 180°. See pictured insert.



		
A x 6	C x 4	D x 2

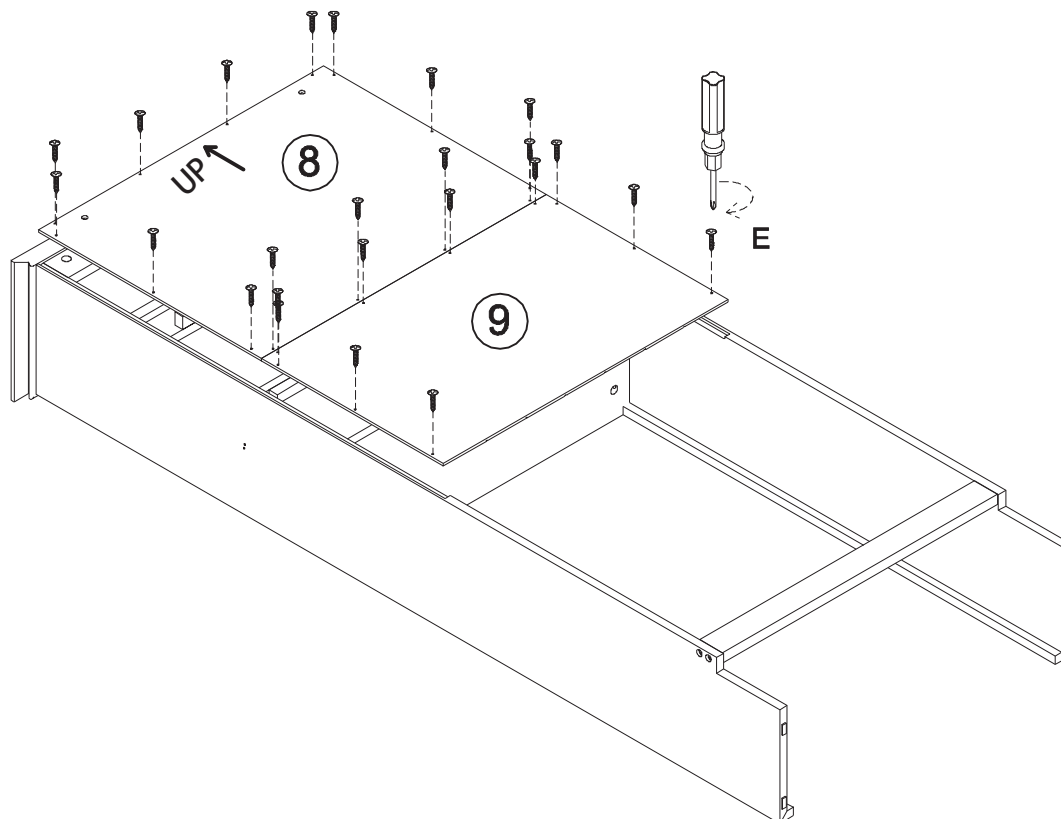
Step 5. Set Top Panel (10) into place using Wood Dowel (C) and Cam lock (A).

NOTE: Cam locks must rotate full 180°. See pictured insert.



 A x 4	 C x 2
--	--

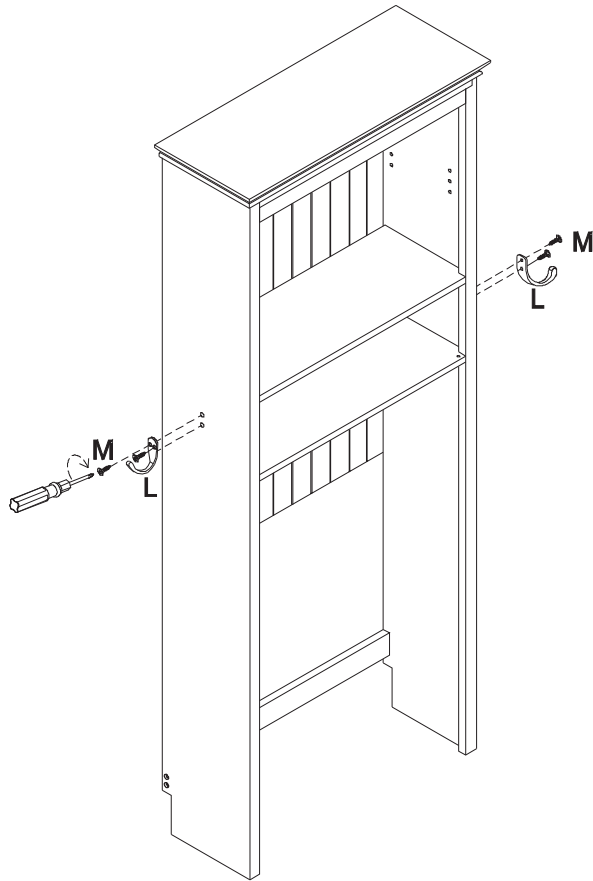
Step 6. Set Back Panel (8 & 9) into place using Screw (E).



6

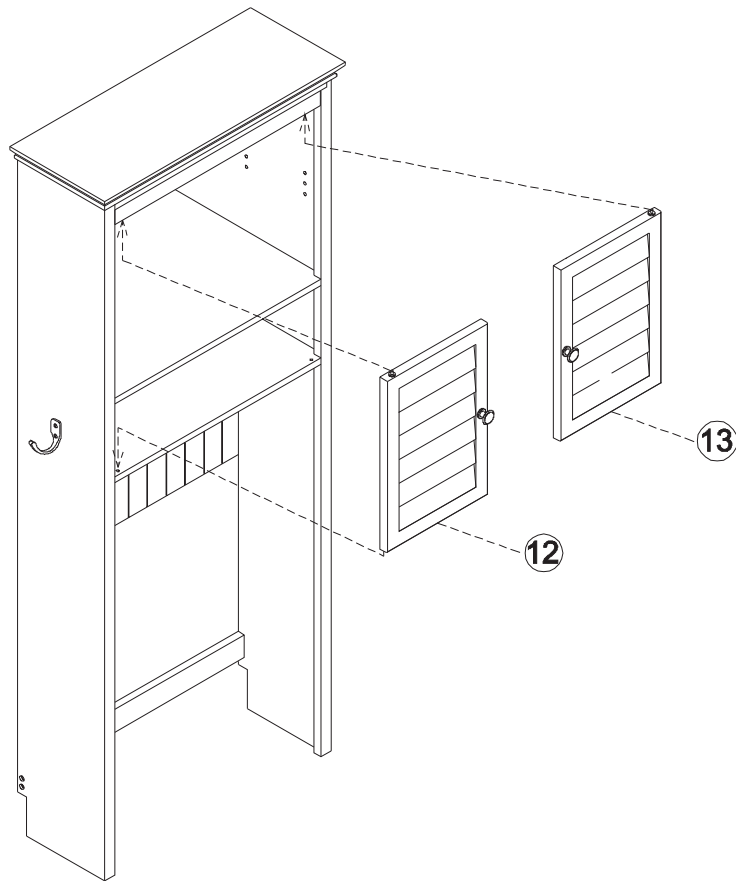
 E x 24

Step 7. Attach Hook (L) to Side Panels (6 & 7) using Screw (M).

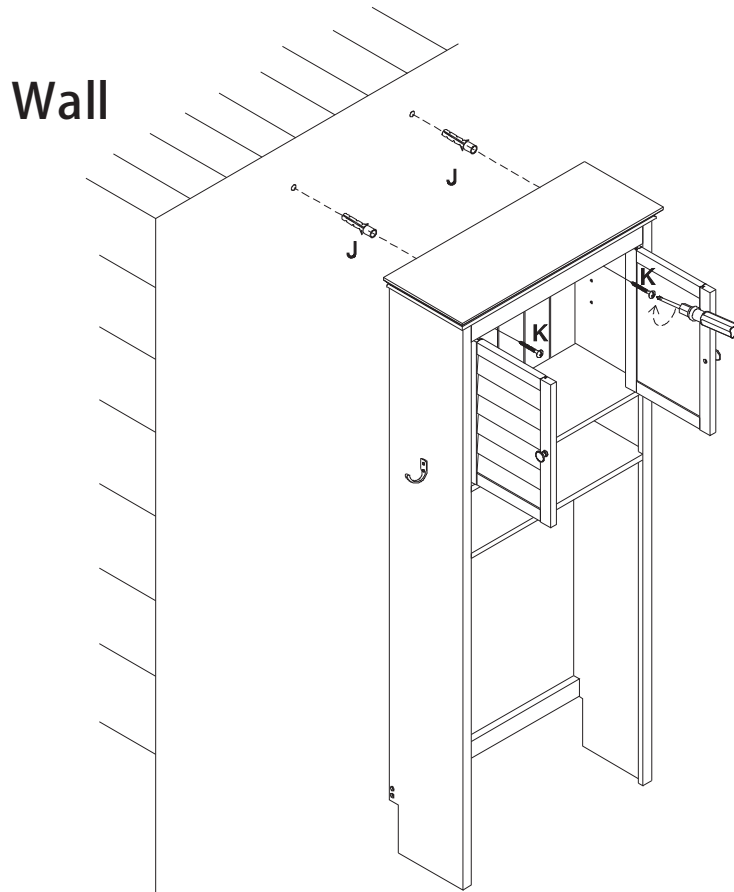


 M x 4	 L x 2
--	--

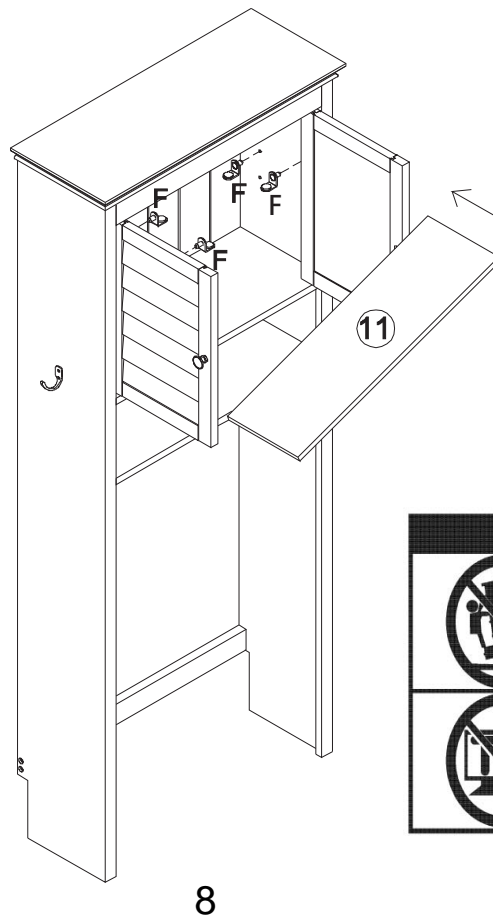
Step 8. Set Doors (12 & 13) into place.




Step 9. Drill two 11/32" holes where you want to secure your pantry. The hole should be at the same height as the hole in the back panel (Part #8) of this unit. Tap Wall Anchor (J) into the hole. Insert Screw (K) through Back Panel (8) into Wall Anchor (J).



Step 10. Attach Shelf Support (F) into the hole. Insert Shelf Panel (11) to place. Note: This item is not intended for clothing storage use.



▲ WARNING	
 	<p>Children have died from furniture tipover. To reduce the risk of furniture tipover:</p> <ul style="list-style-type: none"> • ALWAYS install tipover restraint provided. • NEVER put a TV on this product. • NEVER allow children to stand, climb or hang on drawers, doors, or shelves. • NEVER open more than one drawer at a time. • Place heaviest items in the lowest drawers. <p><i>This is a permanent label. Do not remove!</i></p>

