

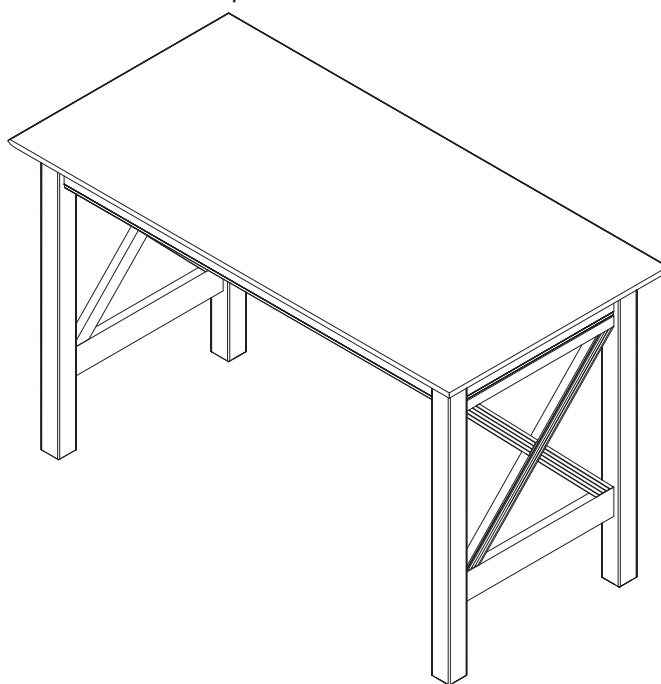
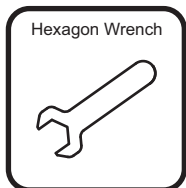


WORK TABLE

ASSEMBLY INSTRUCTIONS

Before assembling your Work table, please read through these instructions carefully. Familiarize yourself with the different parts.

ATTENTION! If you receive a damaged or defective item, please contact us.



NOTE: WE INCLUDE SPARE HARDWARE IN CASE THE HEXAGON NUT, WASHER, WOODEN DOWEL OR WOOD SCREW ARE DAMAGED DURING ASSEMBLY.

A Flat washer - 8 pcs
Spare - 2 pcs



B Hexagon nut - 8 pcs
Spare - 2 pcs



C Hexagon wrench - 1 pc

D Wooden Dowel - 4 pcs
Spare - 1 pc



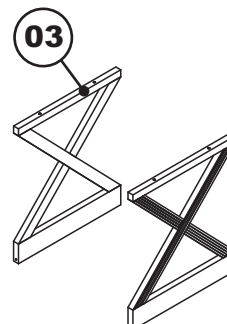
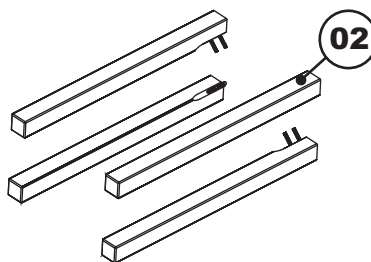
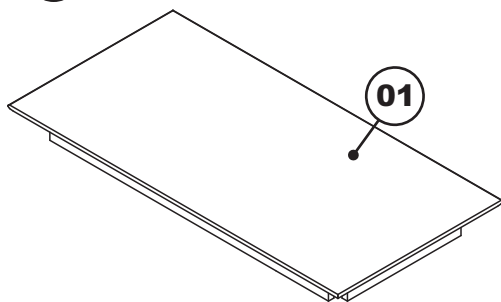
E Wood Screw - 4 pcs
Spare - 1 pc

PARTS LIST

01 TOP PANEL 1 PC

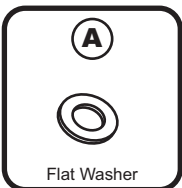
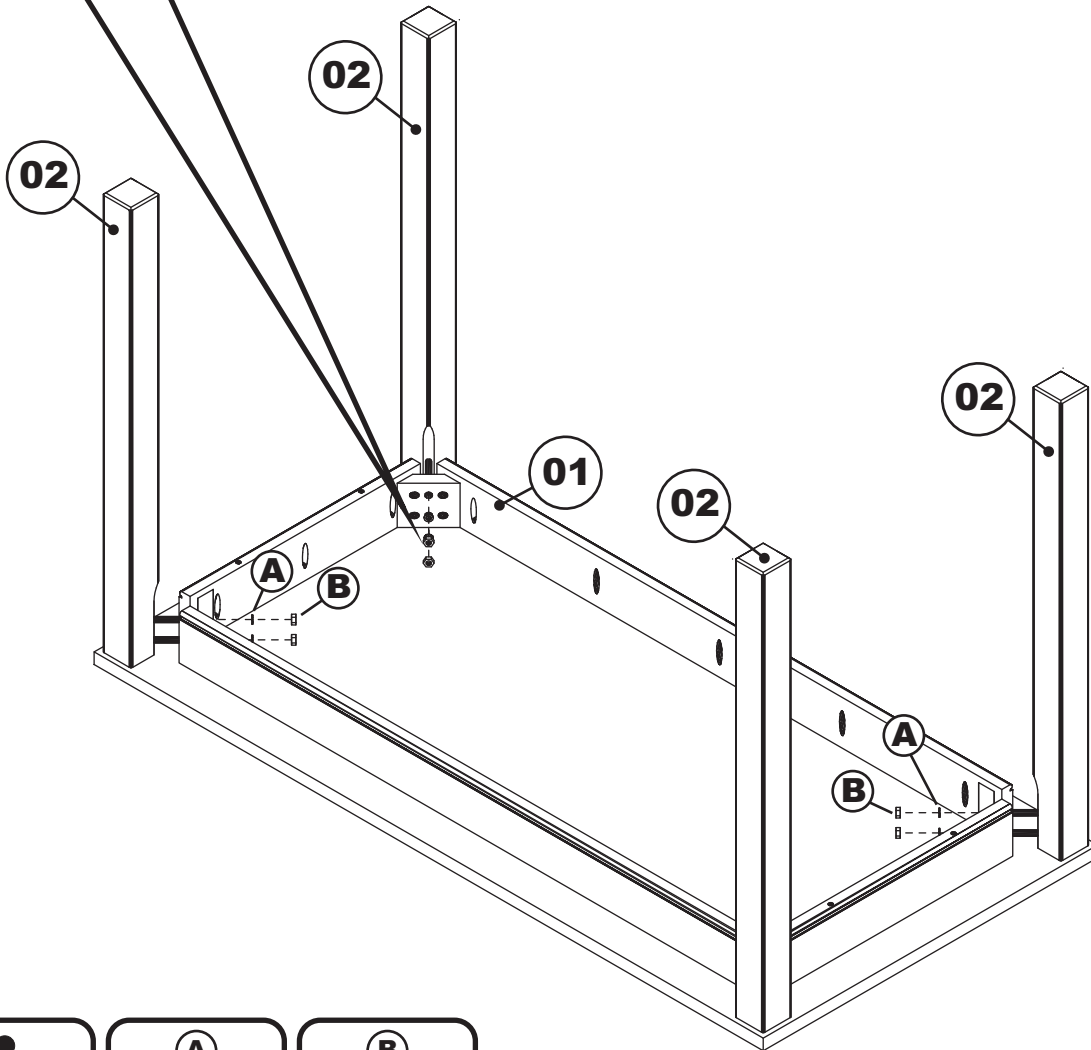
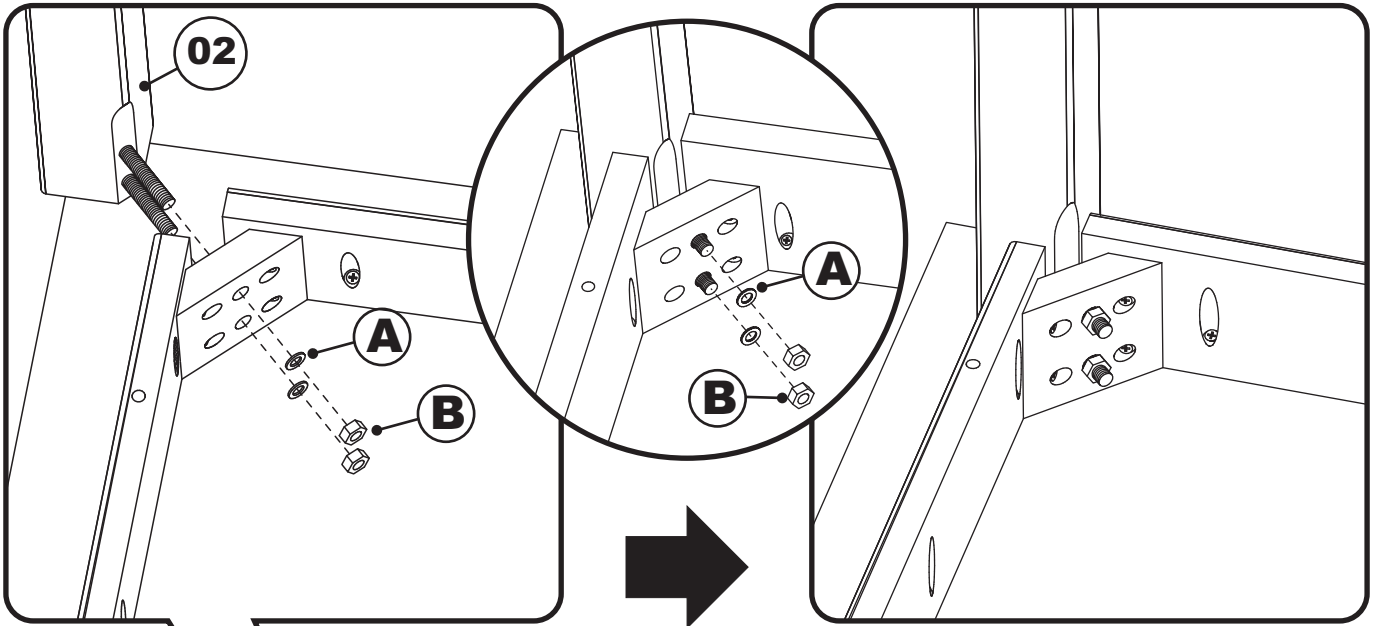
02 LEG 4 PCS

03 SIDE PANEL 2 PCS



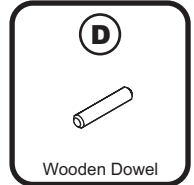
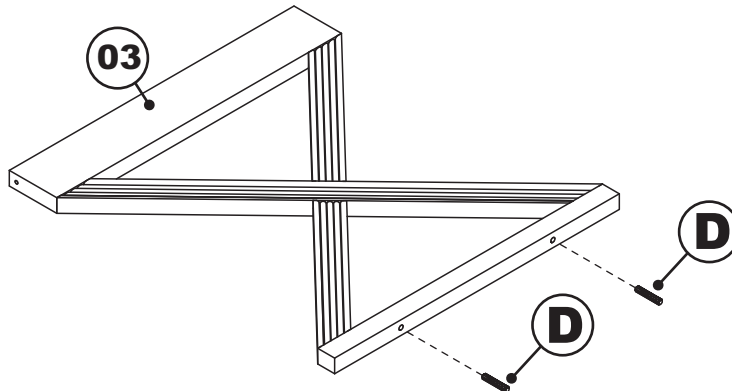
STEP 1

Attach the legs (02) to the top panel (01) as shown below using flat washers (A) and hexagon nuts (B), tighten with hexagon wrench (C).



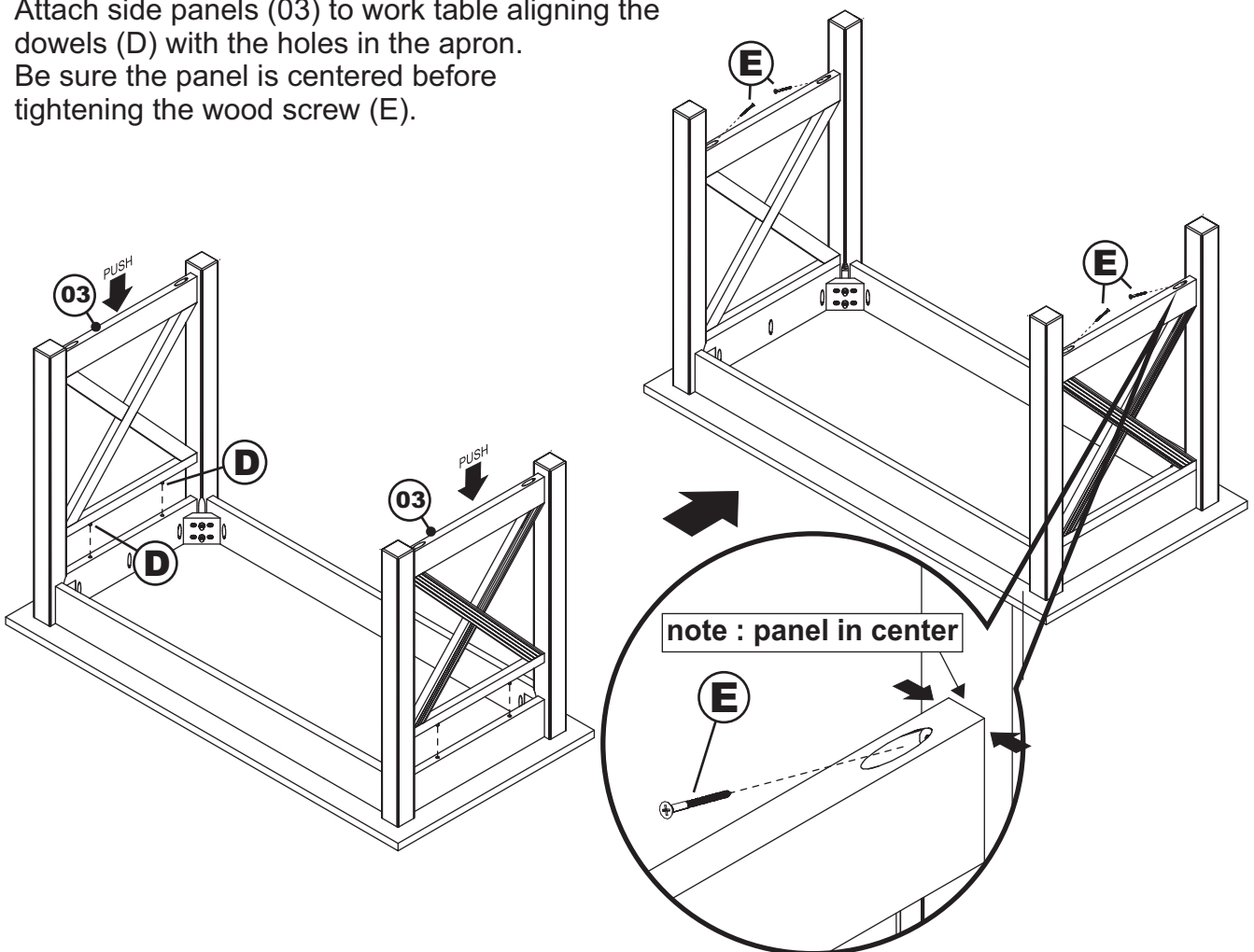
STEP 2

Install wooden dowels (D) into the locator holes on (03) as shown below. Repeat with the other panel.



STEP 3

Attach side panels (03) to work table aligning the dowels (D) with the holes in the apron. Be sure the panel is centered before tightening the wood screw (E).



Congratulations !

Your Work Table is now ready for use.
We recommend that you periodically check that all screws are tight
and all parts are secure to ensure lasting safety.