

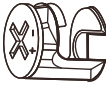







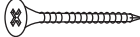



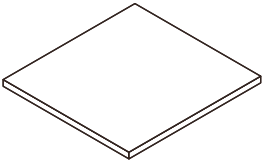
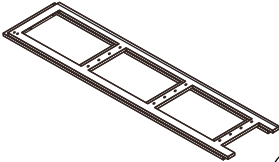
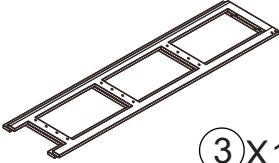
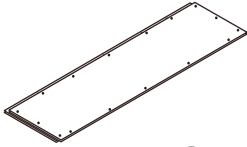
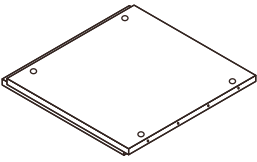
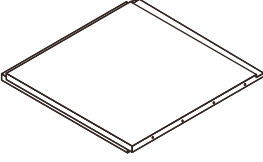
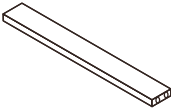
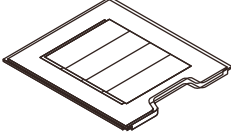
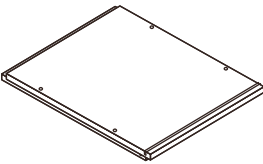
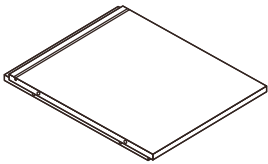
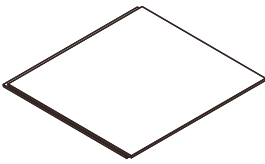
USER'S MANUAL

Floor Cabinet

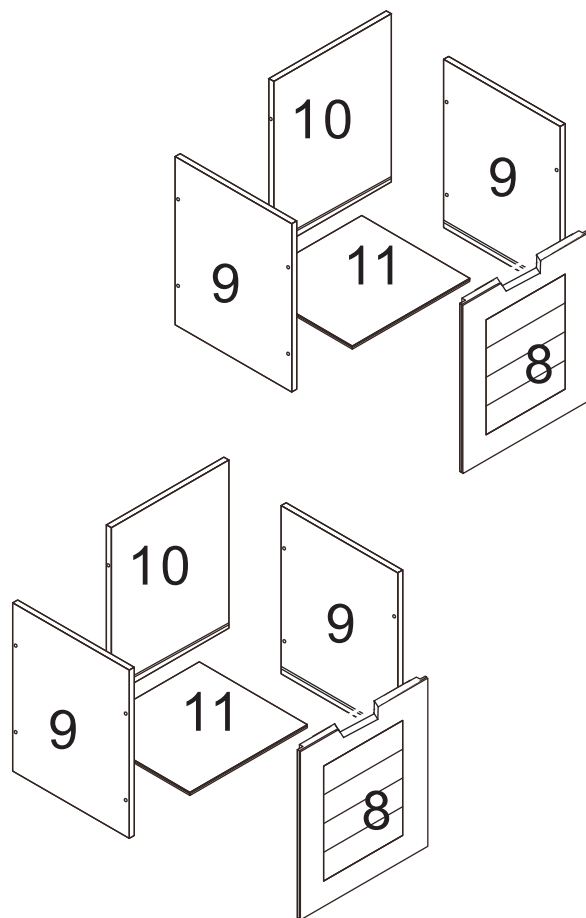
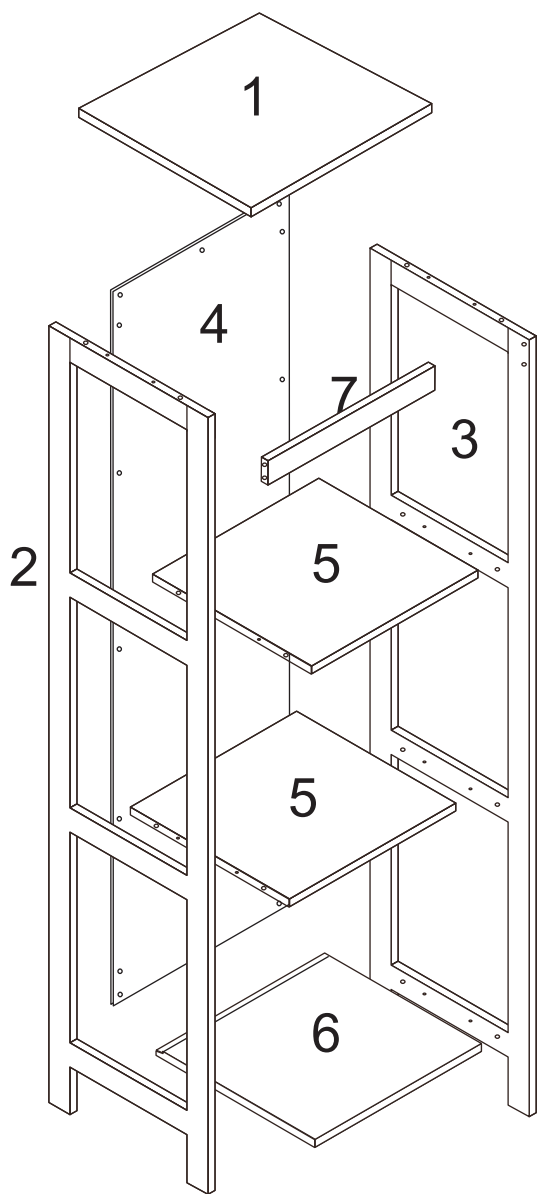
Hardware List

 6*30mm A X18	 6*35mm B X14	 C X14	 3*25mm D X16
 4*35mm E X4	 2.5*10mm F X16	 G X4	 3*14mm H X1
 I X1	 J X2	 4*40mm K X1	 L X1

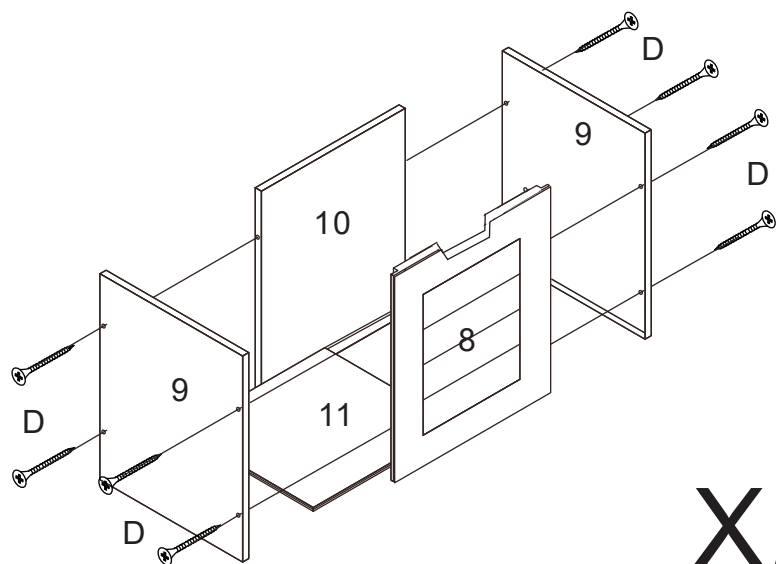
Parts List

 ① X1	 ② X1	 ③ X1	 ④ X1
 ⑤ X2	 ⑥ X1	 ⑦ X1	 ⑧ X2
 ⑨ X4	 ⑩ X2	 ⑪ X2	

Part List Assembly Overview

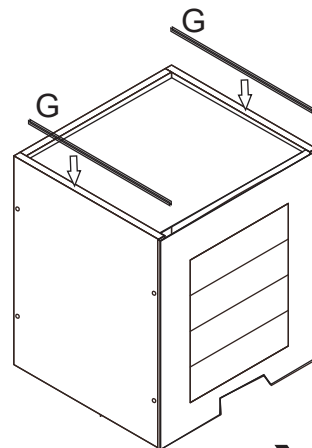


1



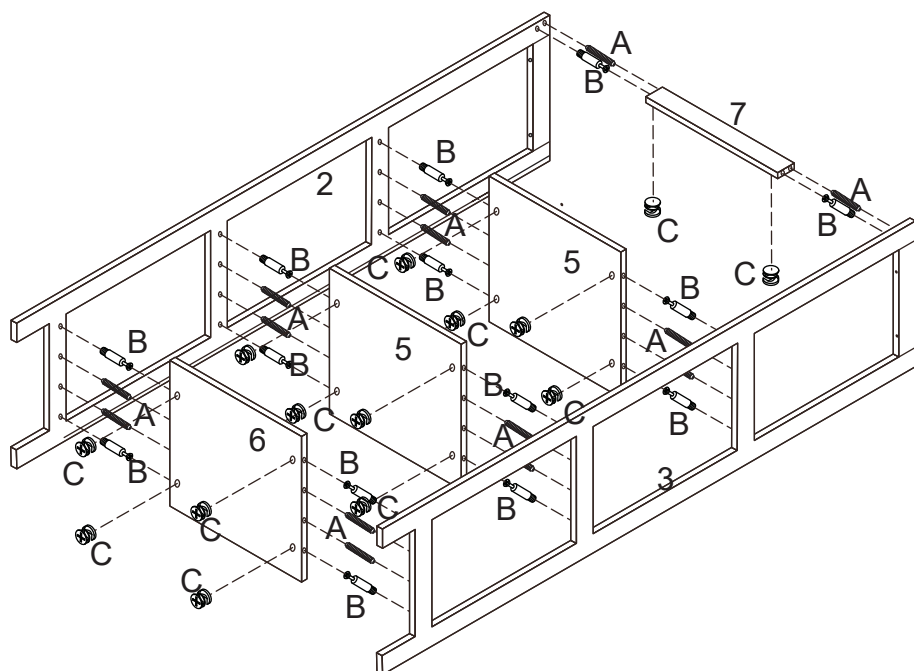
X2

2

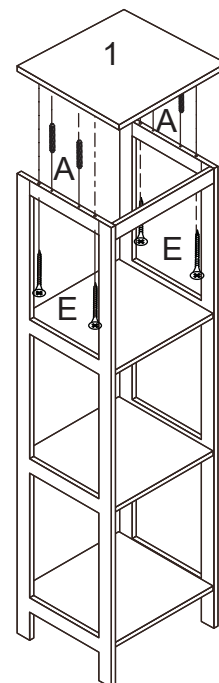


X2

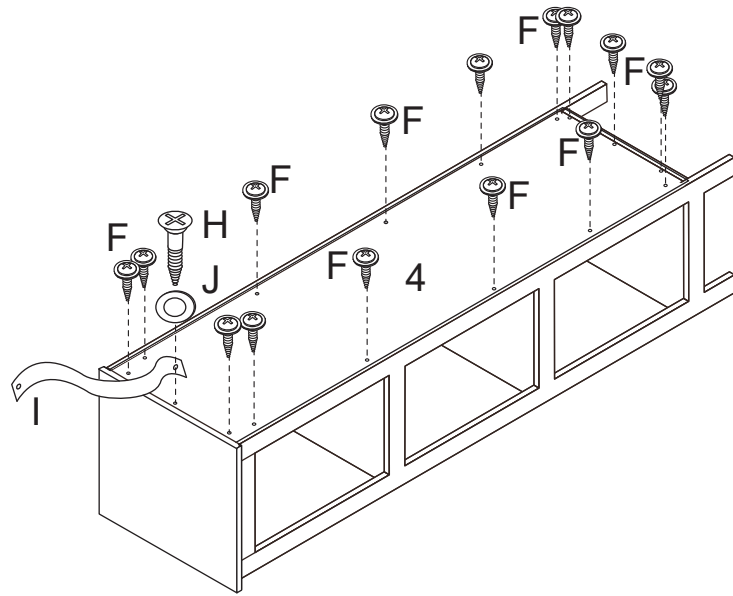
3



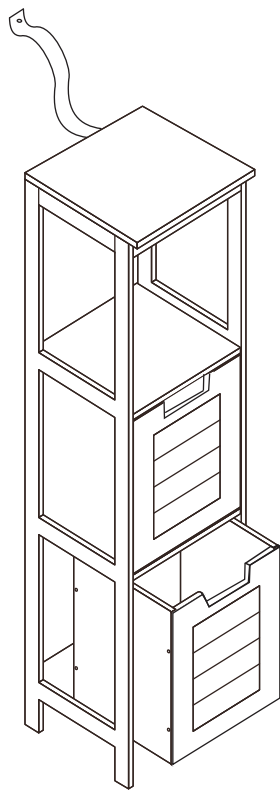
4



5



6



7

