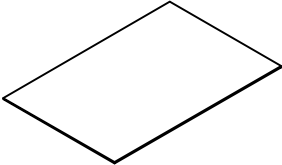
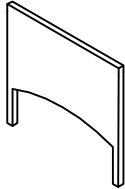
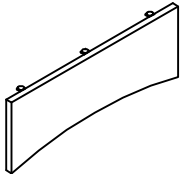

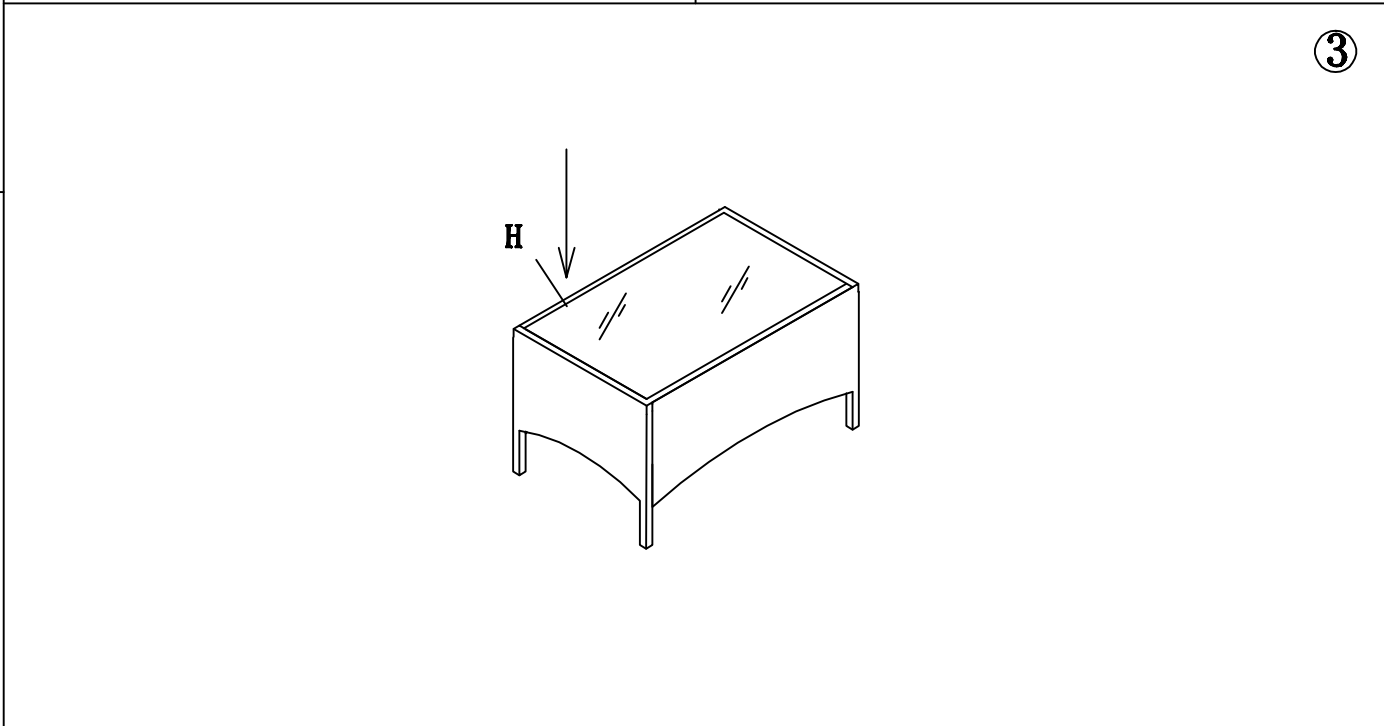
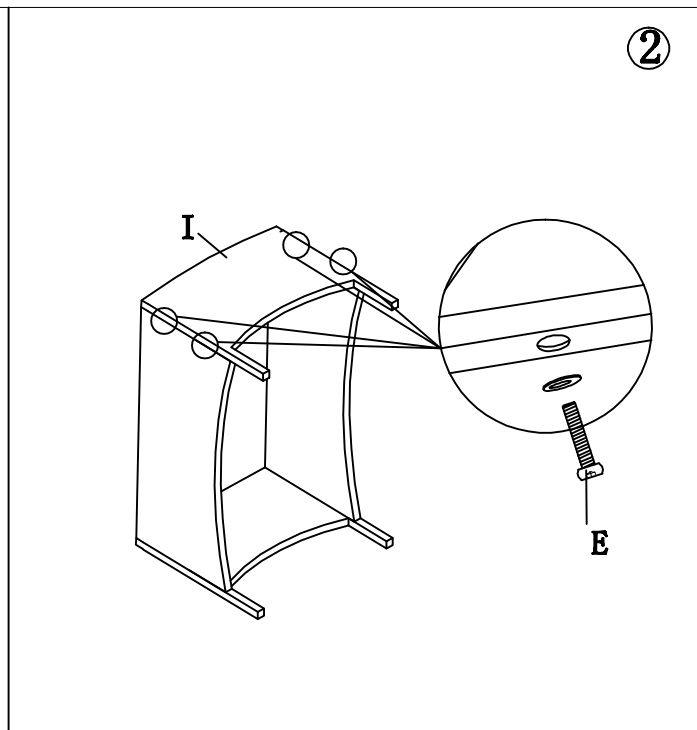
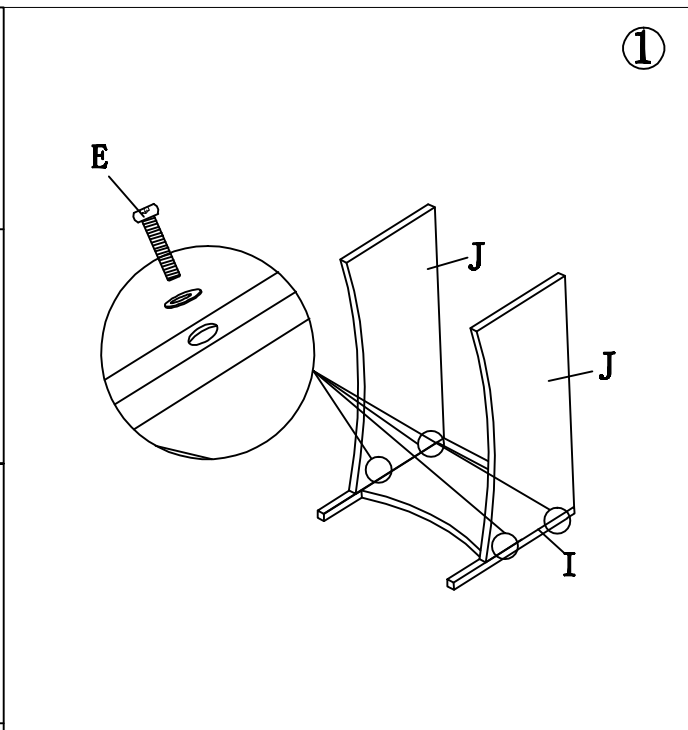
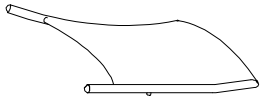
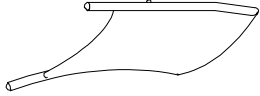
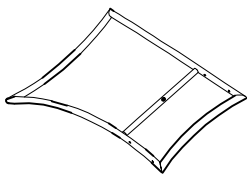
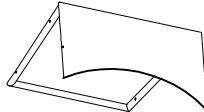


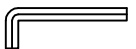
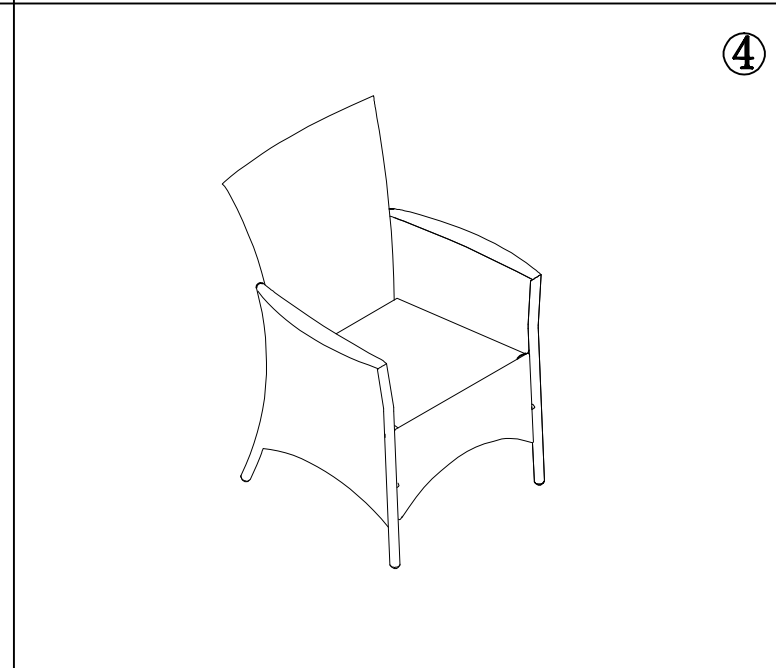
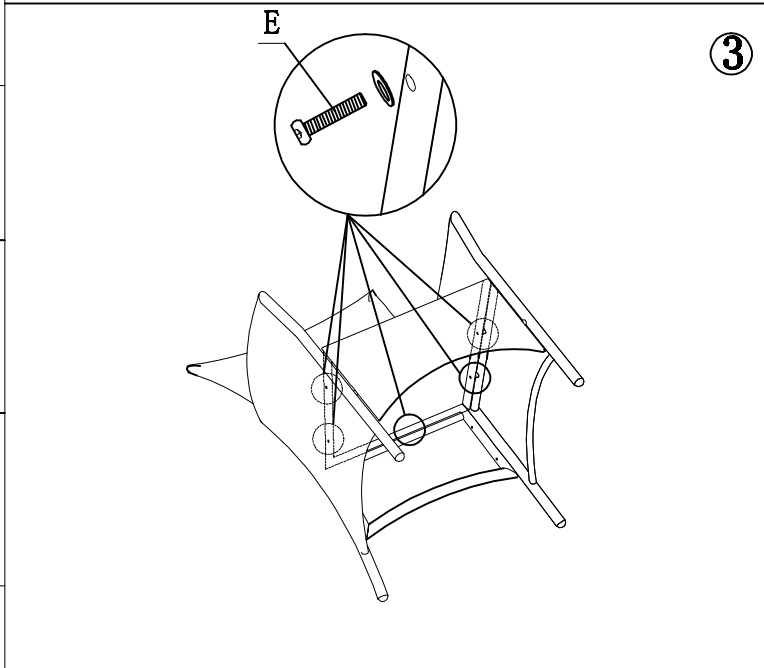
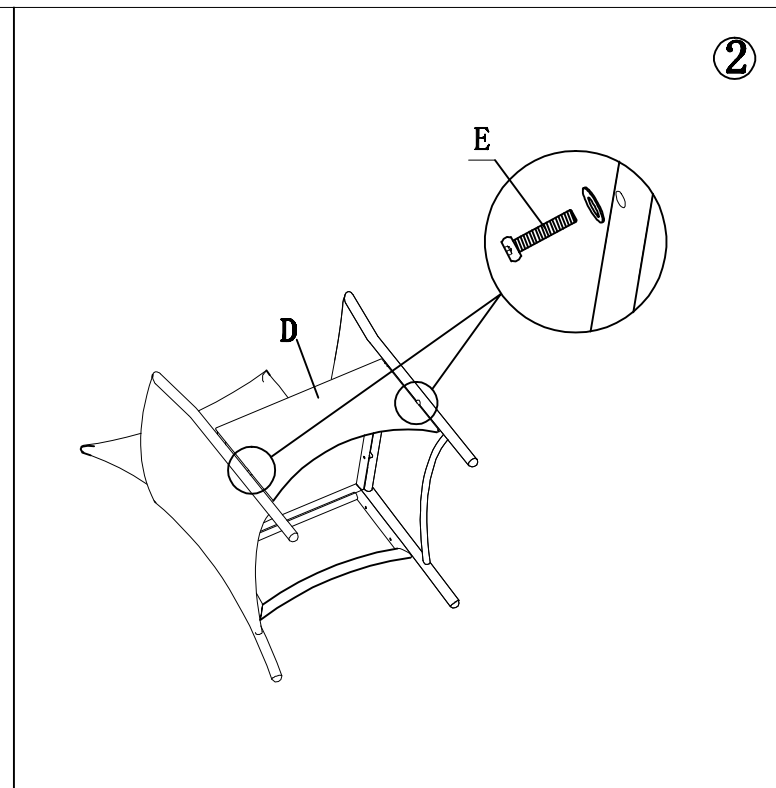
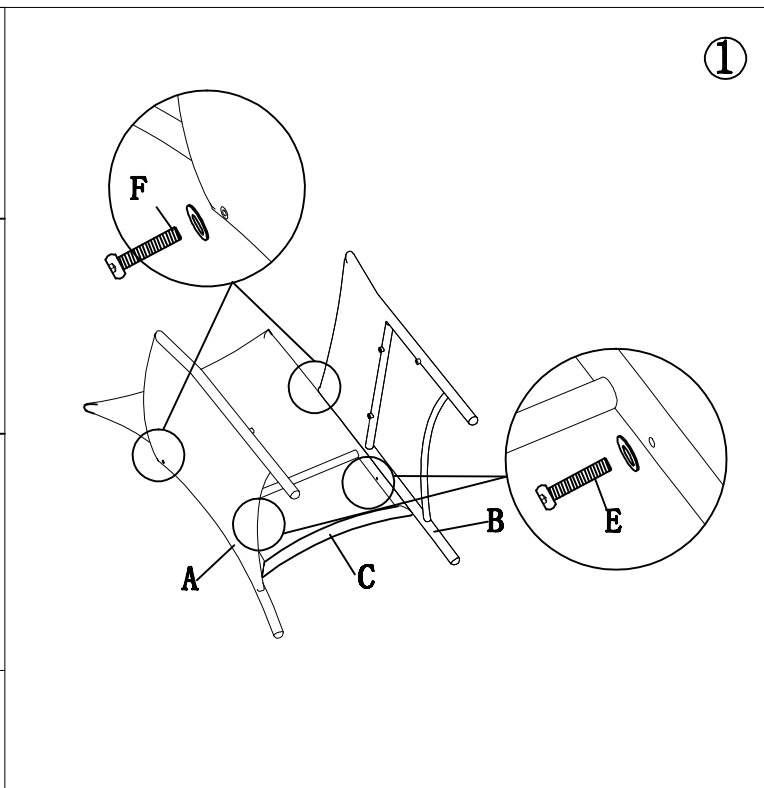
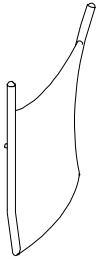
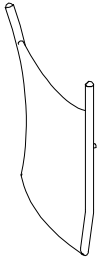

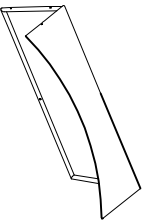
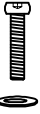
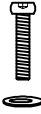


H		1 P C
I		2PCS
J		2PCS
E	 M6*30 MM	8PCS



A		1 P C
B		1 P C
C		1 P C
D		1 P C
E	 M6*30 MM	9PCS
F	 M6*35 MM	2 PCS
G		1 P C



A		1 P C
B		1 P C
C1		1 P C
D1		1 P C
E	 M6*30 MM	4 PCS
F	 M6*35 MM	8 PCS

