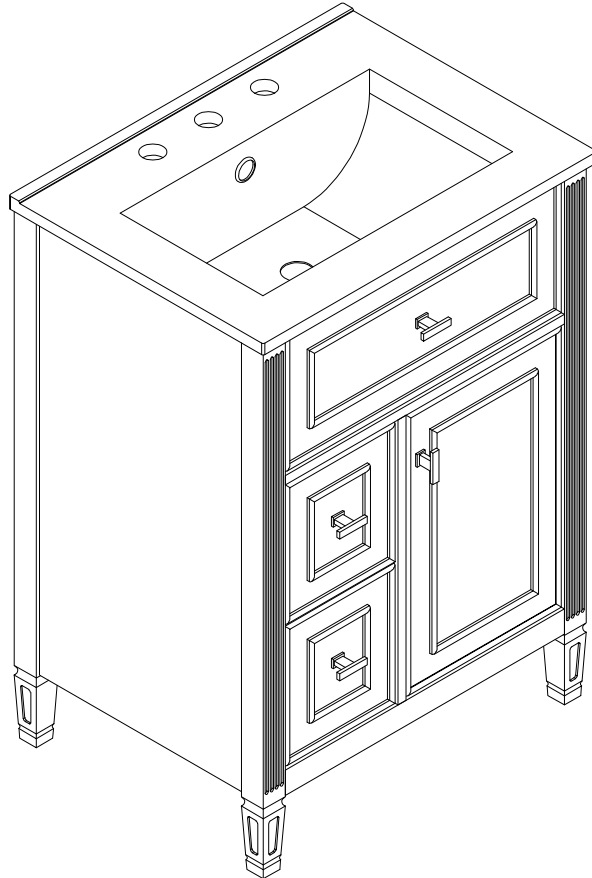
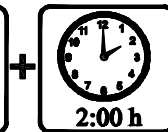
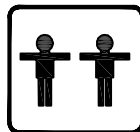


ASSEMBLY INSTRUCTIONS  
24 INCHES BATH VANITY (COMBO)

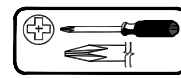


Thank you for purchasing this quality product. Be sure to check all packaging material carefully for small parts which may have come loose inside the carton during shipment. Separate, identify and count all parts and hardware. Compare with the parts list to be sure all parts are present.  
**"DO NOT TIGHTEN SCREWS UNTIL COMPLETELY ASSEMBLED"**

**\* Use of power tool to assemble this product will invalidate any claim and damage this product making unsafe !!!**  
**\* Please assemble on a clean soft surface to avoid damage.**



**Tools Required**



(Not included)

**IMPORTANT:**

**PLEASE READ INSTRUCTION BEFORE STARTING THE ASSEMBLY**

# Before Installation

**Important - Please read these instructions fully before starting assembly**

Thank you for purchasing this quality product. Be sure to check all packing materials carefully for small parts, which may have come loose inside the carton during shipment. Identify and count all items according to the PARTS LIST and/or HARDWARE LIST shown below. Check you have all the components and tools listed on the following pages.

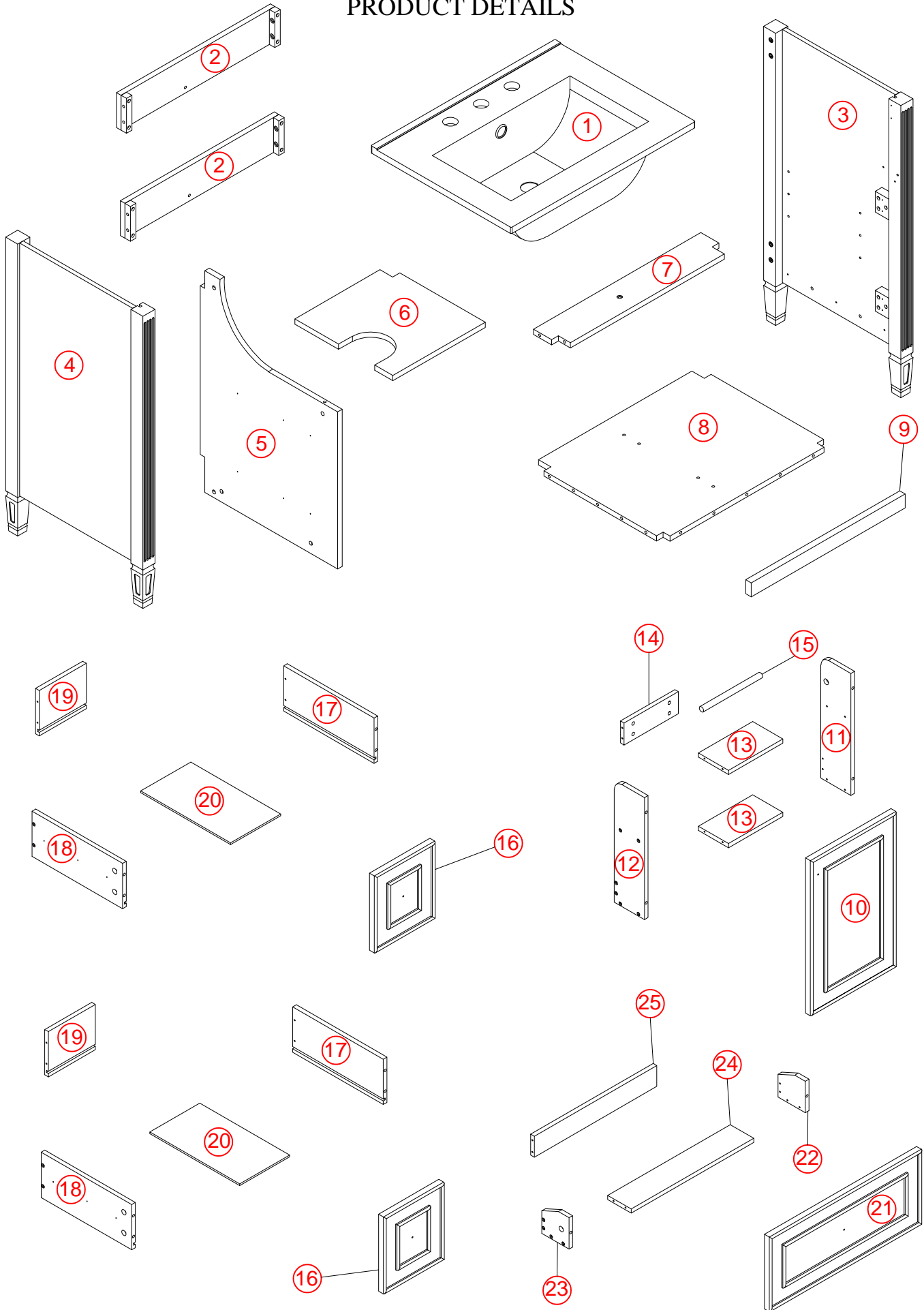
- . We recommend that you assemble this product with the assistance of another person; this will make the assembly easier, and will help eliminate damage to the product or injury to persons during assembly.
- . Please do not over tighten screws or bolts until the assembly is completed.
- . Keep children and animal away from the work area, small parts could choke if swallowed.
- . Please put all parts on a non-abrasive floor before assembly, and follow the assembly steps to assemble your newly purchased product correctly and efficiently.

**If you find that you have any trouble with assembly or missing or damaged parts please contact the seller.**

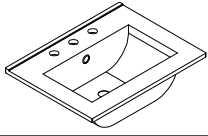
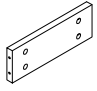
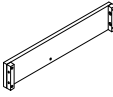

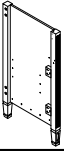
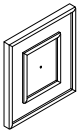
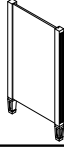
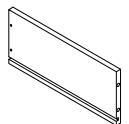

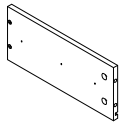
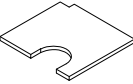
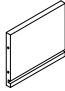
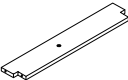
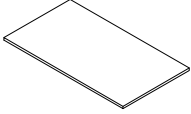
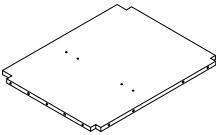
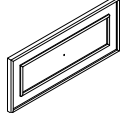
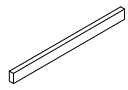
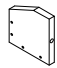
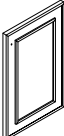


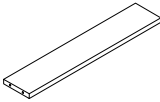

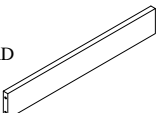
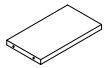
## Cam Lock Assembly Instructions

	<p>Diagram A</p>	<p>Insert Cam Bolt into hole as shown in diagram A.</p>
	<p>Diagram B</p>	<p>Make sure not to insert the Cam Bolt: Too deep as shown in figure B as this will cause the Cam Lock to be misaligned and unable to interlock properly.</p>
	<p>Diagram C</p>	<p>Also avoid inserting the Cam Bolt too close to the surface of the hole as shown in figure C, as this will cause the Cam Lock to be too loose, and not interlock properly.</p>
		<p>Connect the panels together.</p>
		<p>Insert the Cam Lock so the side opening fits over the head of the Cam Bolt.</p>
		<p>To tighten the Cam Lock, turn it clockwise on half a turn with a flat screwdriver. *Do not use an automatic screwdriver as it may bend or break if too much power is imposed.</p>







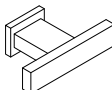
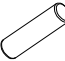


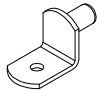



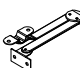

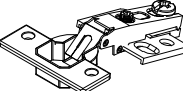

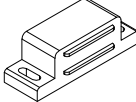
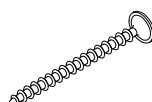
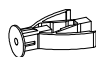
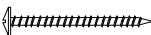
# PRODUCT DETAILS



PARTS LIST

①	SINK ( LAVABO )		1PC	⑭	DOOR SHELF BACK BOARD		1PC
②	REAR CROSSBAR		2PCS	⑮	CIRCLE		1PC
③	HIP RIGHT		1PC	⑯	DRAWER FACE		2PCS
④	HIP LEFT		1PC	⑰	RIGHT SIDE OF DRAWER		2PCS
⑤	PARTITION BOARD		1PC	⑱	LEFT SIDE OF DRAWER		2PCS
⑥	ADJUSTABLE SHELVES		1PC	⑲	DRAWER BACK		2PCS
⑦	FRONT UPPER BAR		1PC	⑳	DRAWER BOTTOM		2PCS
⑧	BOTTOM BOARD		1PC	㉑	FLIP-OFF DRAWER FRONT		1PC
⑨	FRONT BOTTOM BAR		1PC	㉒	RIGHT SIDE FLIP DRAWER		1PC
⑩	DOOR BOARD		1PC	㉓	LEFT SIDE FLIP DRAWER		1PC
⑪	LEFT SIDE DOOR SHELF		1PC	㉔	FLIP-UP DRAWER BOTTOM		1PC
⑫	RIGHT SIDE DOOR SHELF		1PC	㉕	FLIP-UP DRAWER BACKBOARD		1PC
⑬	SHELF DOOR BOARD		2PCS				

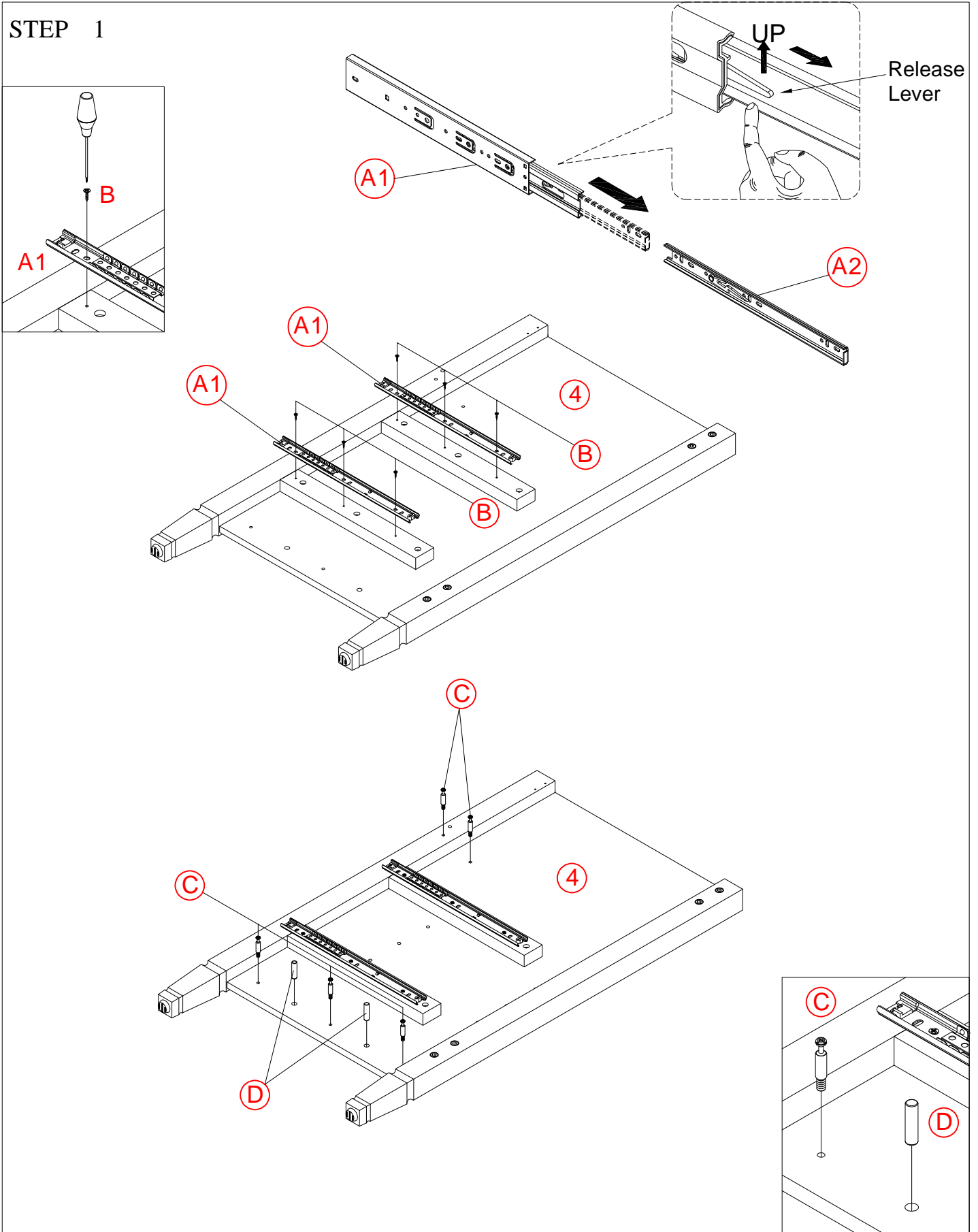
HARDWARE LIST




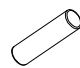
A	A1 : D300MM		4SET	K	Ø 10*10MM		28PCS
	A2 : D300MM						
B	3.5*10MM		28PCS +2	L	M4*20MM		4PCS
C	Ø5*35MM		27PCS	M	L50mm		4PCS
D	Ø 8 * 30MM		6PCS	N	L45MM		2PCS
E	Ø 15		27PCS	O	L15MM		6PCS
F	3.5*15MM		16PCS	P	3.5*12MM		10PCS
G	M6*30MM		8PCS	Q	HANDLE		1PC
H	L4*58MM		1PC	V	HINGES		2PCS
I	M6*45MM		5PCS	S	L45MM		2PCS
J	M4*50MM		28PCS	T			2SET

ASSEMBLY TOOLS REQUIRED (NOT INCLUDED)  
 OUTILS D'ASSEMBLAGE REQUIS (NON INCLUS)

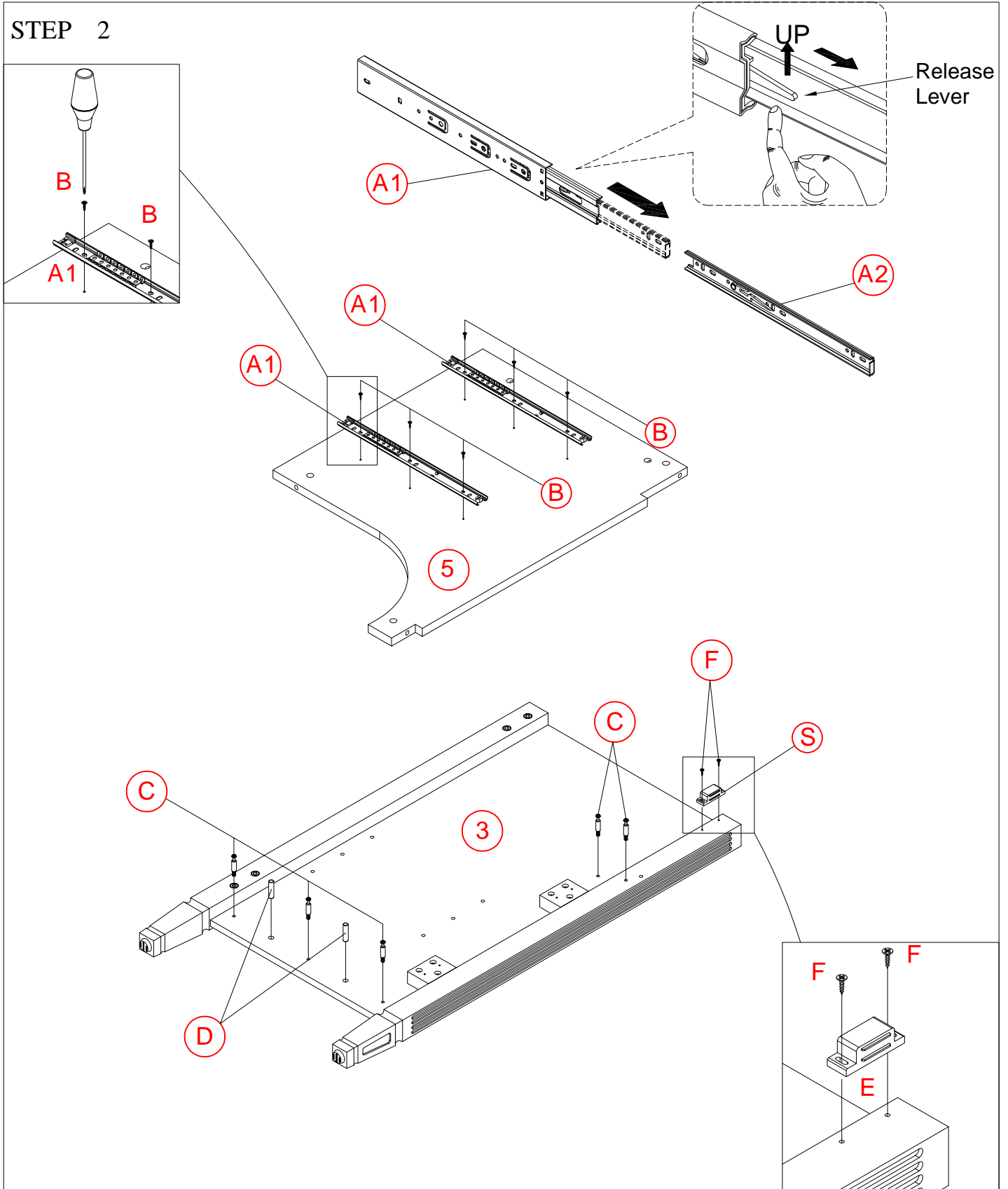


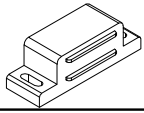

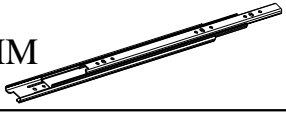


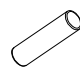
STEP 1



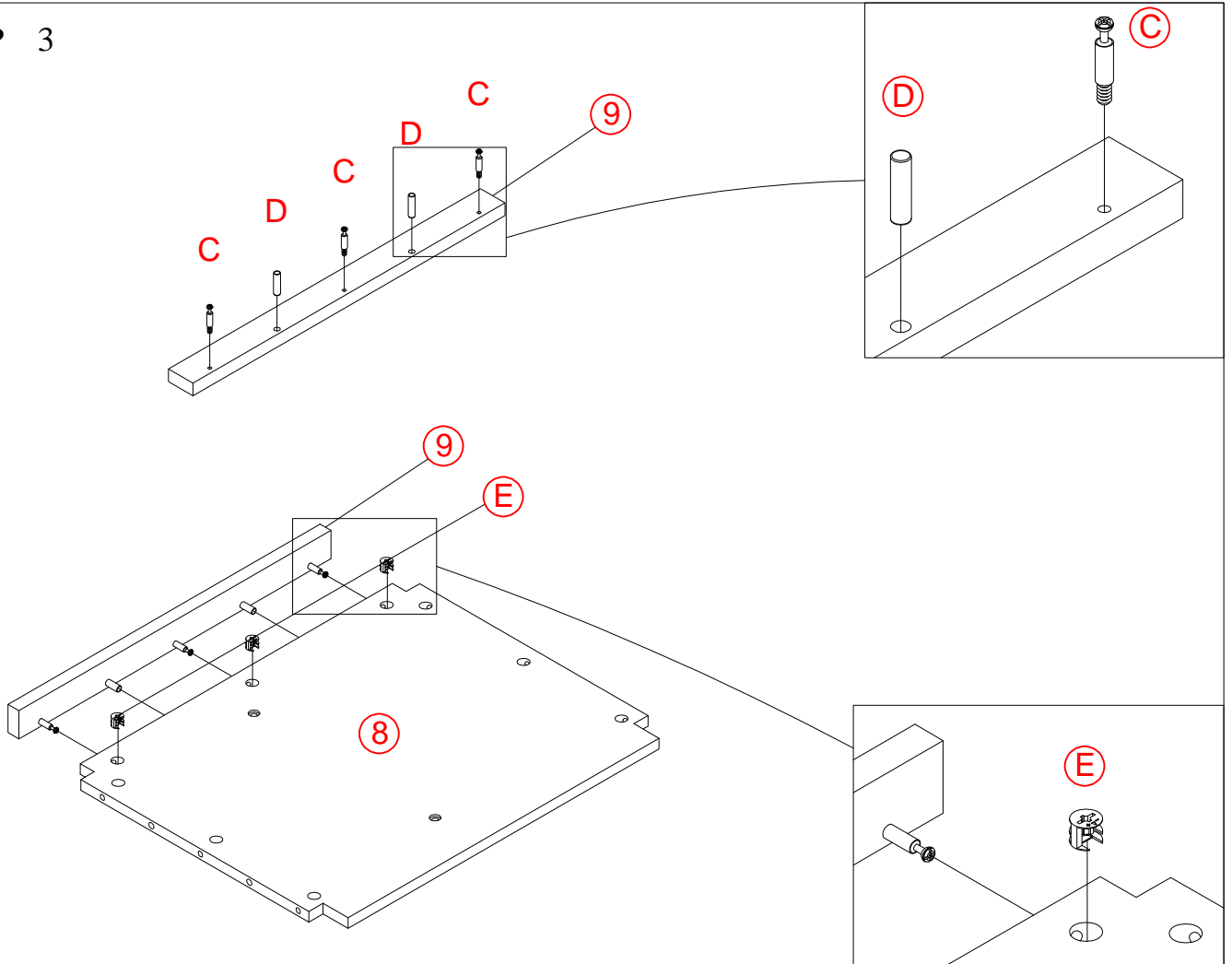
<p>(A)</p>	<p>L45*300MM</p> 	<p>2PCS</p>	<p>(B)</p>	<p>3.5*10MM</p> 	<p>6PCS</p>
<p>(C)</p>	<p>Ø5*35MM</p> 	<p>5PCS</p>	<p>(D)</p>	<p>Ø 8 * 30MM</p> 	<p>2PCS</p>

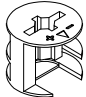
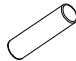
STEP 2




(S)	L45MM		1PC	(F)	3.5*15MM		2PCS
(A)	L45*300MM		2PCS	(B)	3.5*10MM		6PCS
(C)	Ø5*35MM		5PCS	(D)	Ø 8 * 30MM		2PCS

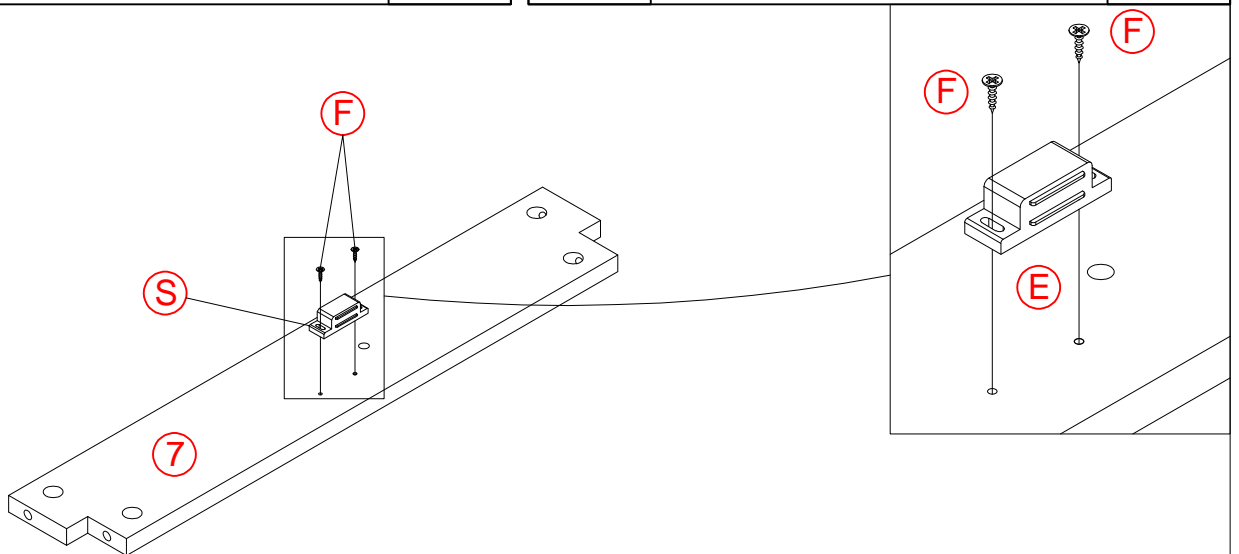
STEP 3

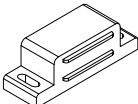



<b>(E)</b>	Ø 15		3PCS
<b>(D)</b>	Ø 8 * 30MM		2PCS

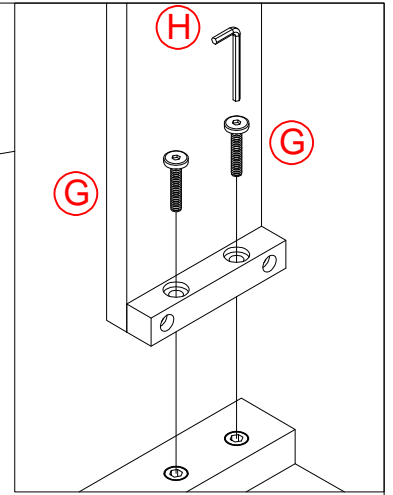
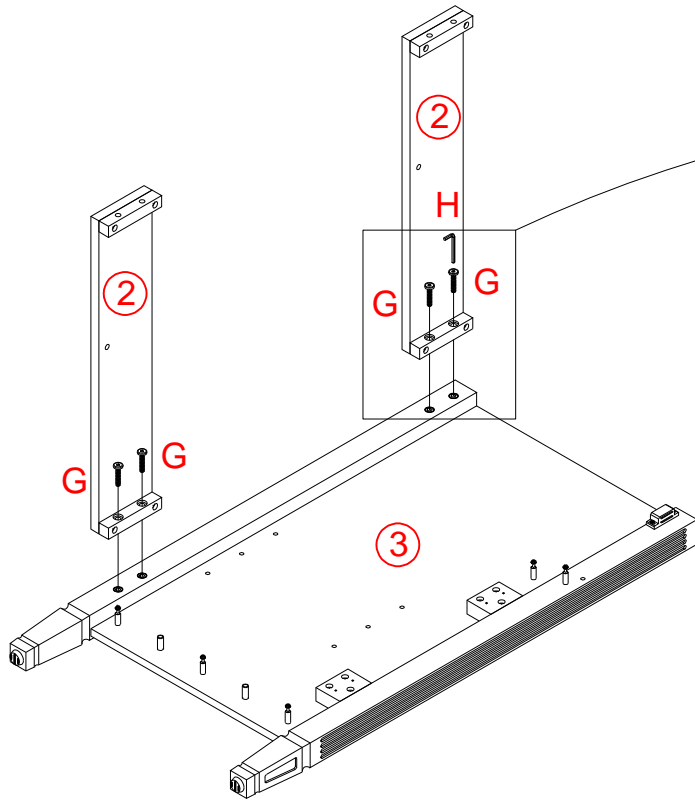
<b>(C)</b>	Ø5*35MM		3PCS
------------	---------	-------------------------------------------------------------------------------------	------


STEP 4



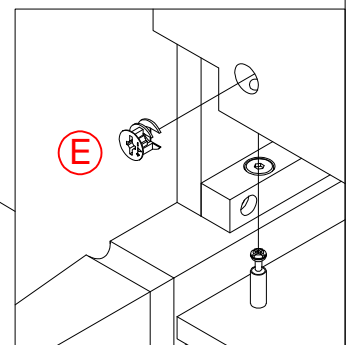
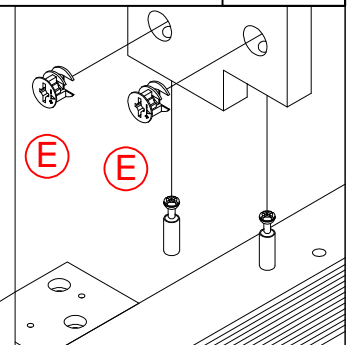
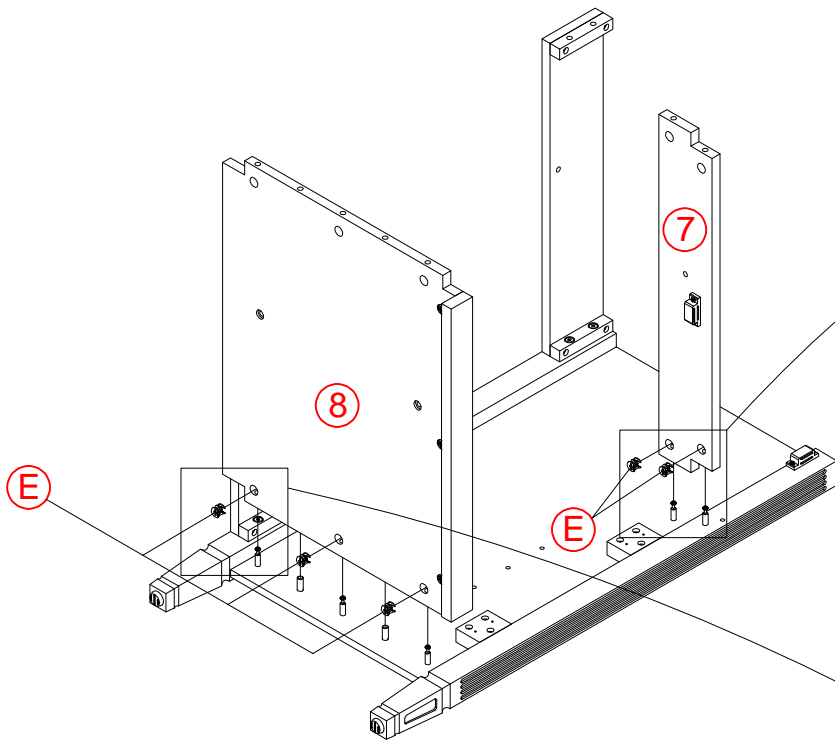
<b>(S)</b>	L45MM		1PC	<b>(F)</b>	3.5*15MM		2PCS
------------	-------	-------------------------------------------------------------------------------------	-----	------------	----------	---------------------------------------------------------------------------------------	------

STEP 5



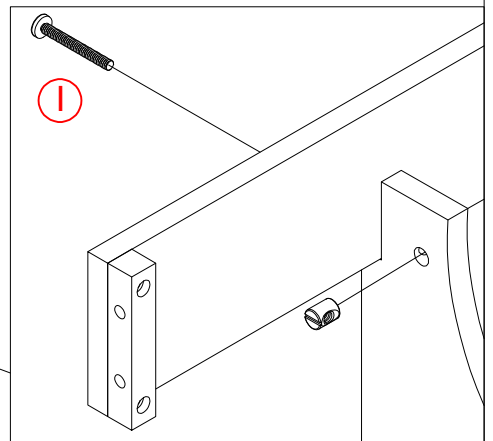
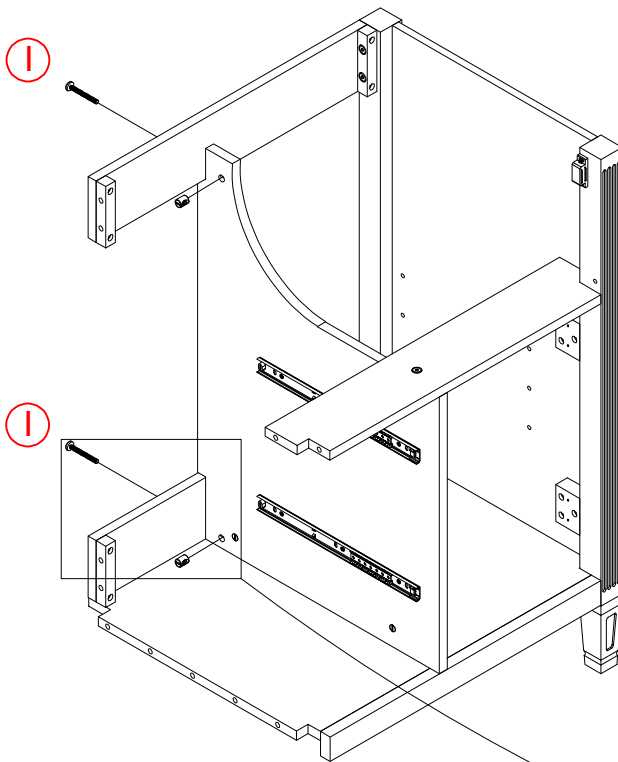
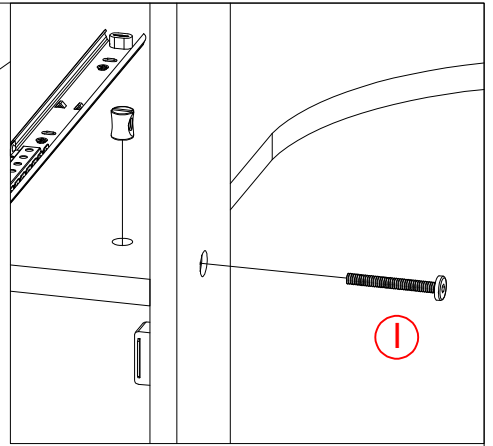
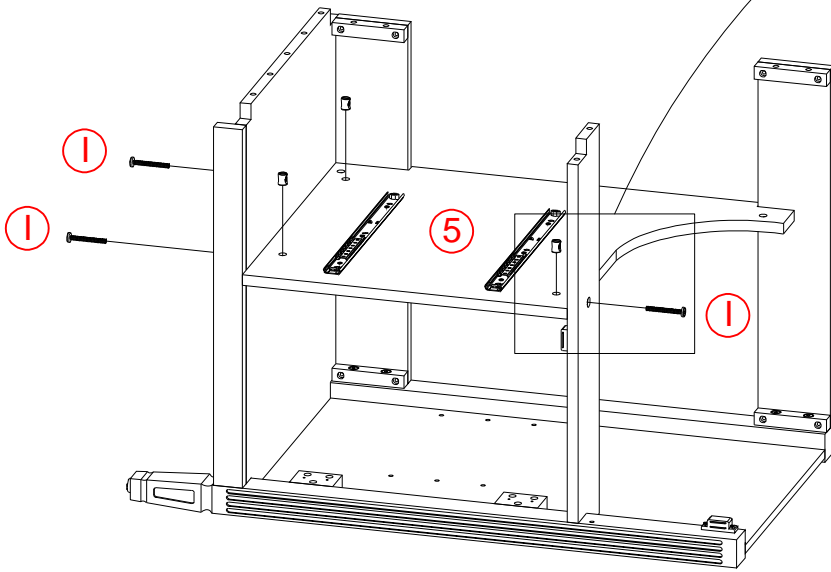
<p>(G)</p>	<p>M6*30MM</p>		<p>4PCS</p>	<p>(H)</p>	<p>L4*58MM</p>		<p>1PC</p>
------------	----------------	-------------------------------------------------------------------------------------	-------------	------------	----------------	--------------------------------------------------------------------------------------	------------

STEP 6



<p>(E)</p>	<p>Ø 15</p>		<p>5PCS</p>
------------	-------------	-------------------------------------------------------------------------------------	-------------

STEP 7

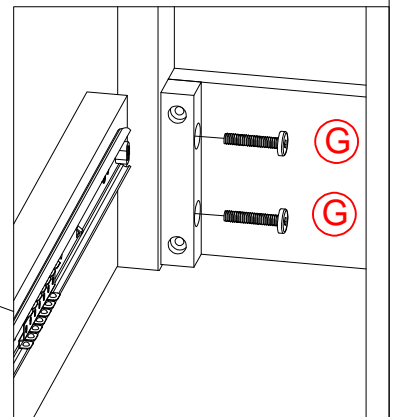
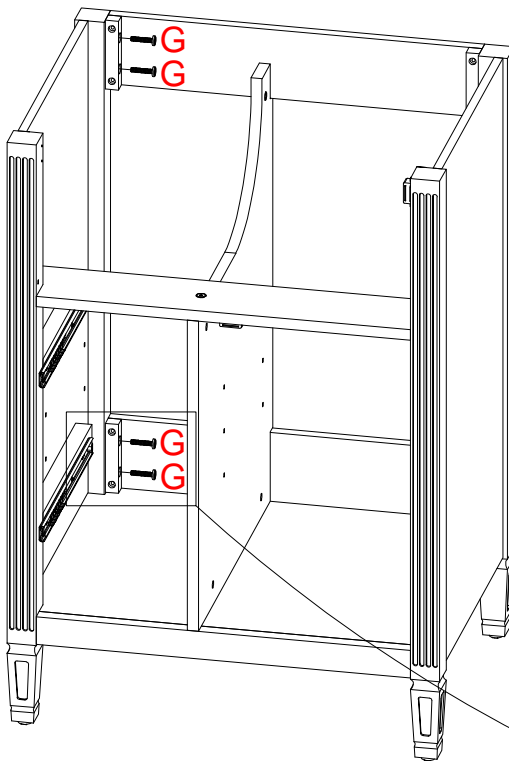
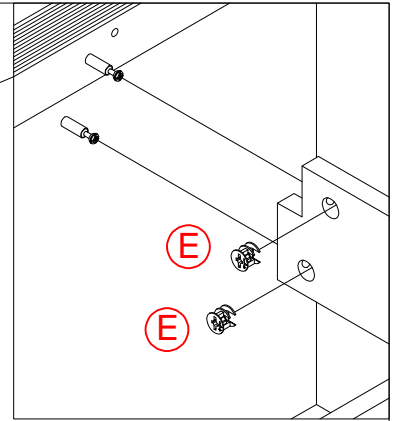
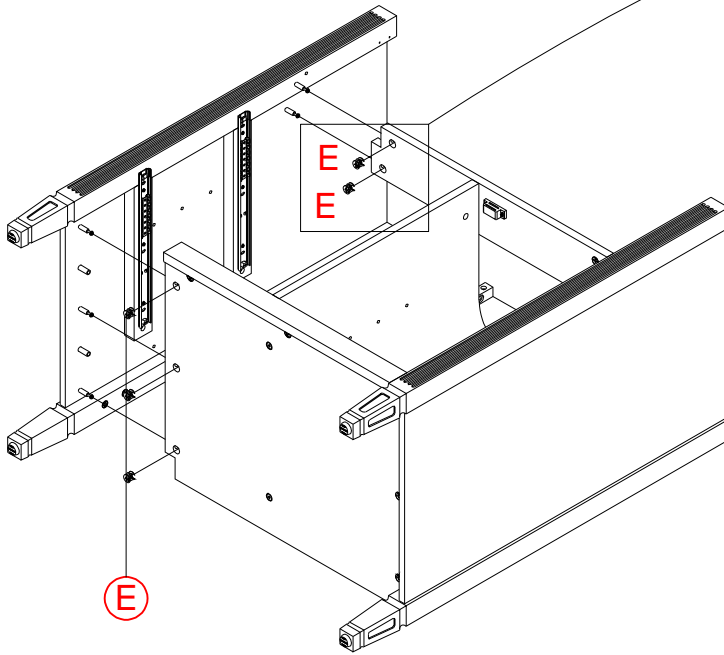





M6\*45MM



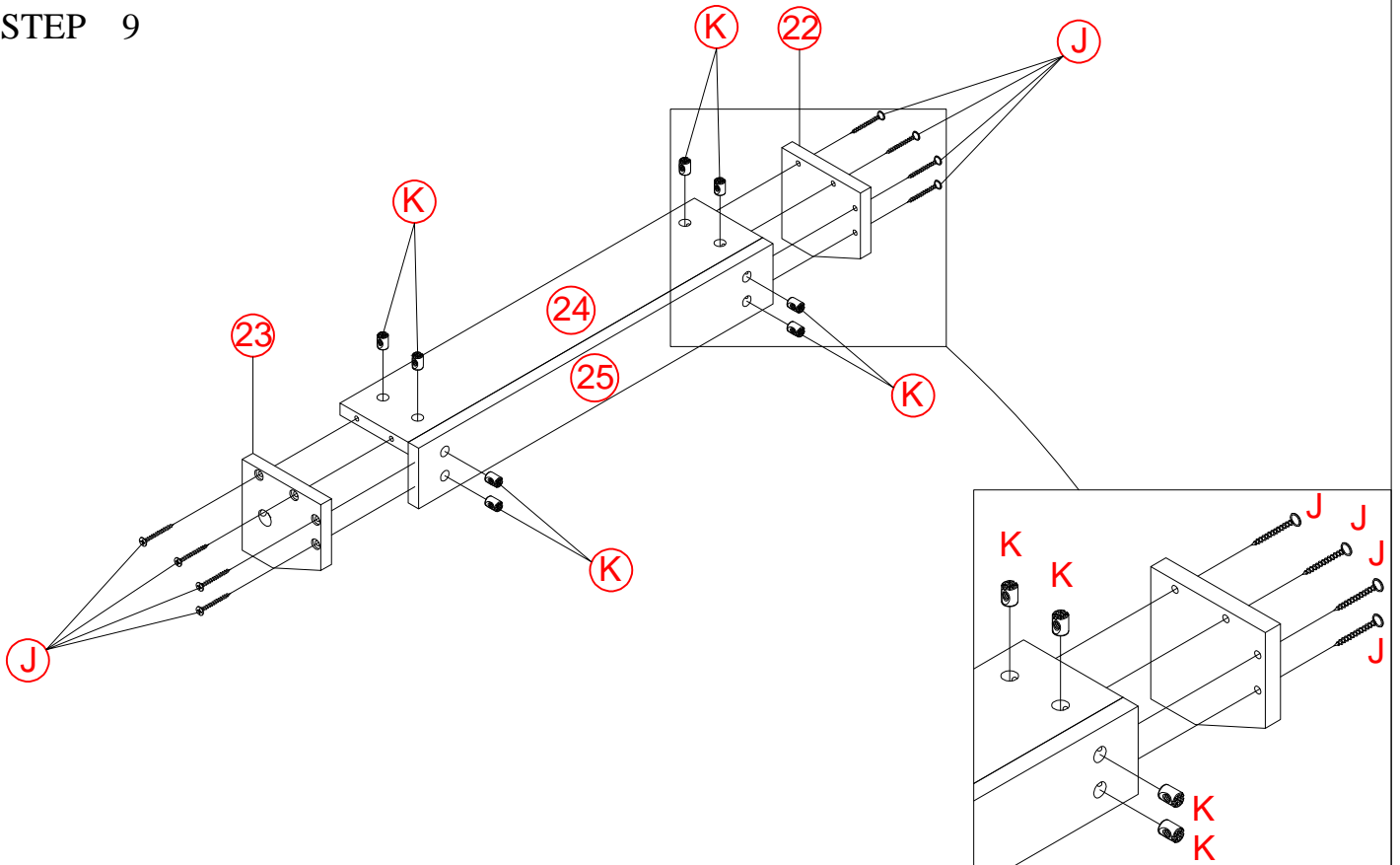
5PCS

STEP 8



	<p>M6*30MM</p> 	<p>4PCS</p>		<p>Ø 15</p>		<p>5PCS</p>
-------------------------------------------------------------------------------------	----------------------------------------------------------------------------------------------------	-------------	-------------------------------------------------------------------------------------	-------------	---------------------------------------------------------------------------------------	-------------

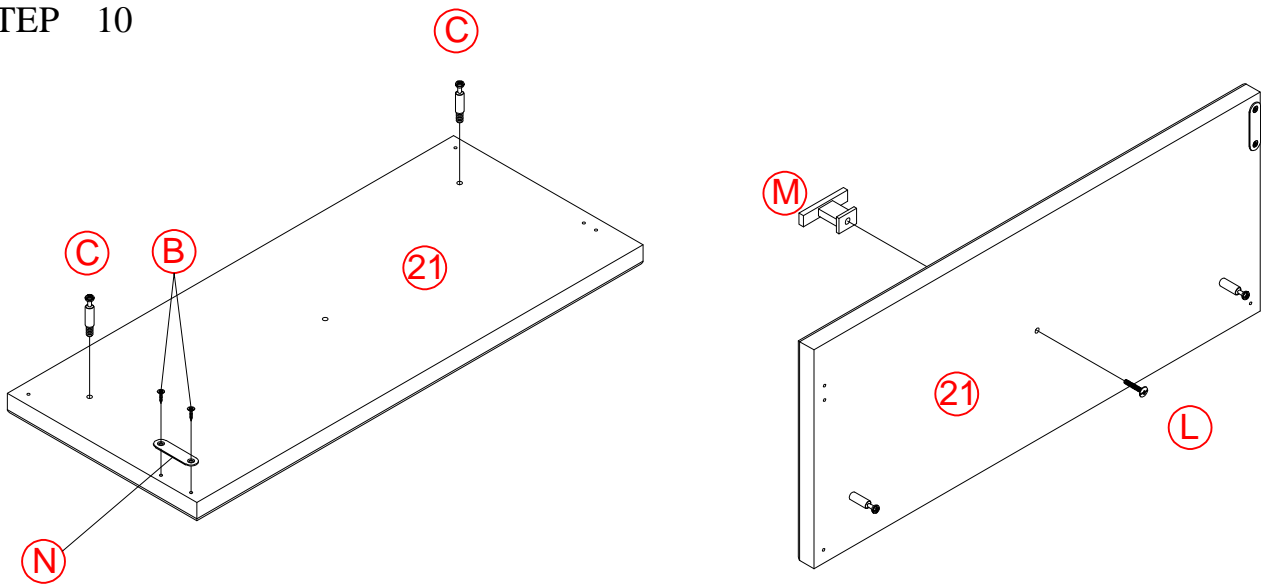
STEP 9




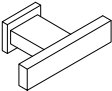





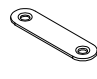


	M4*50MM		8PCS
-------------------------------------------------------------------------------------	---------	------------------------------------------------------------------------------------	------

	Ø 10*10MM		8PCS
-------------------------------------------------------------------------------------	-----------	---------------------------------------------------------------------------------------	------

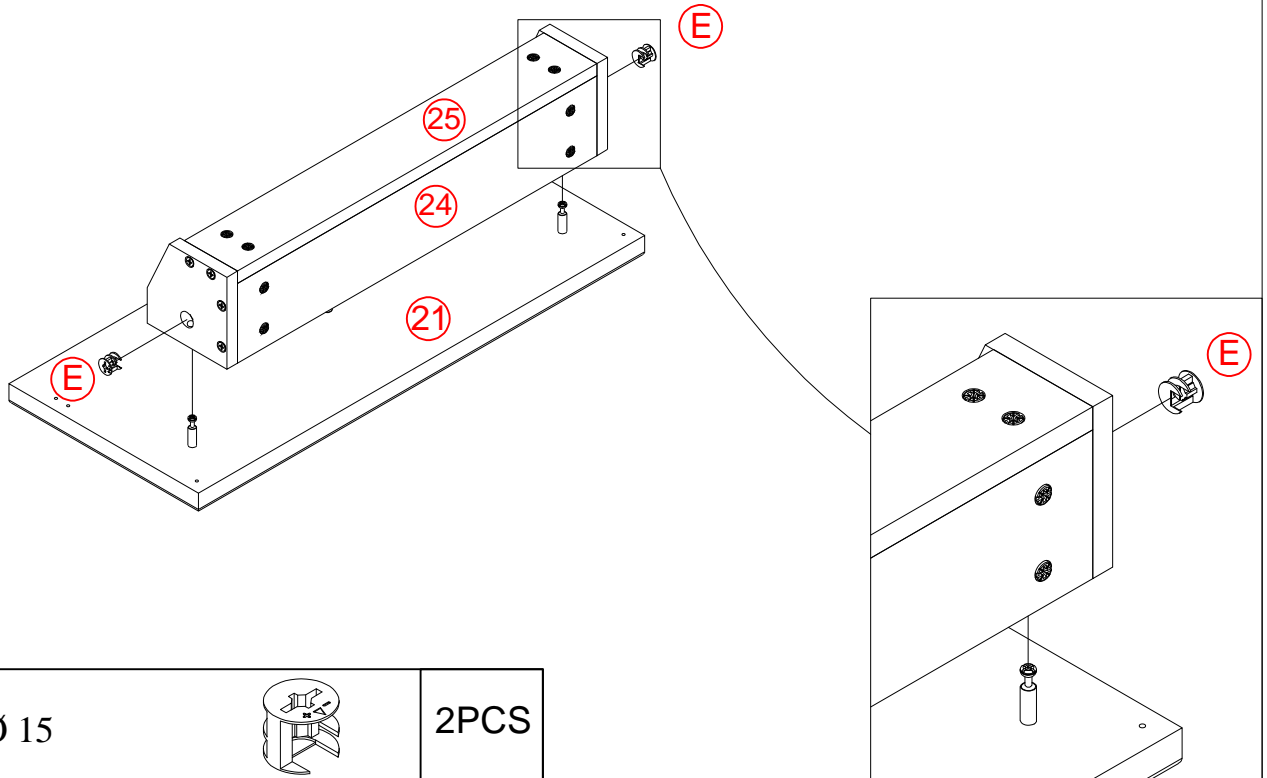
STEP 10



	3.5*10MM		2PCS
	Ø30mm		1PC
	Ø5*35MM		2PCS

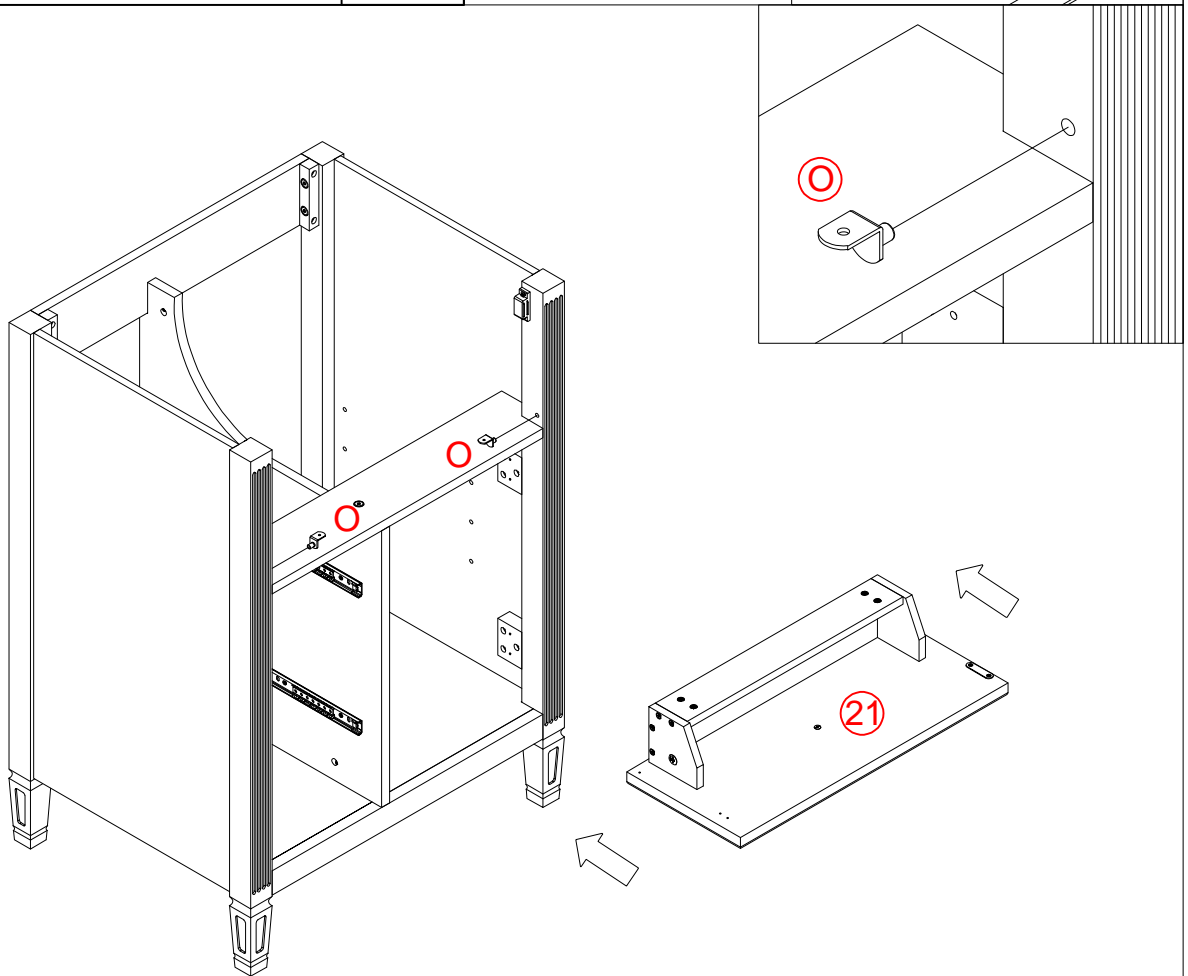
	L45MM		1PC
	M4*20MM		1PC

STEP 11



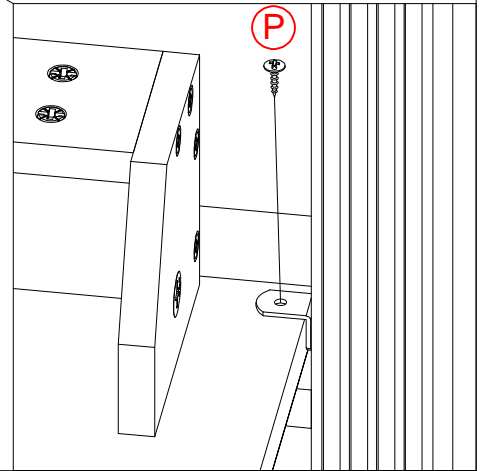
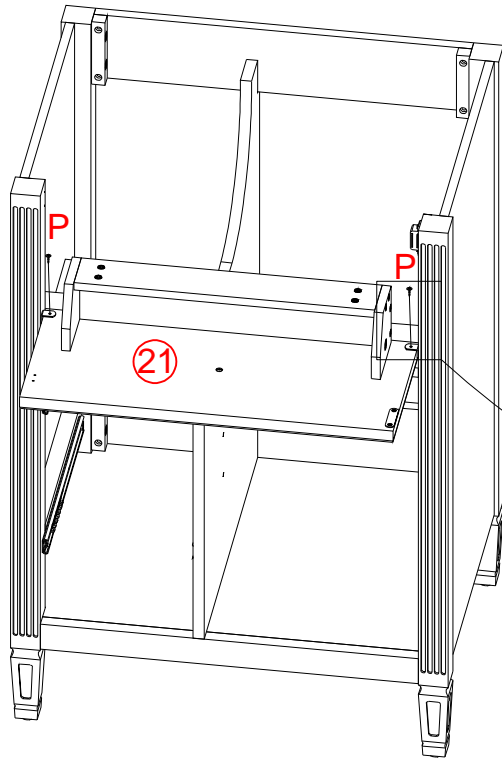
	<p>Ø 15</p>		<p>2PCS</p>
--	-------------	--	-------------

STEP 12



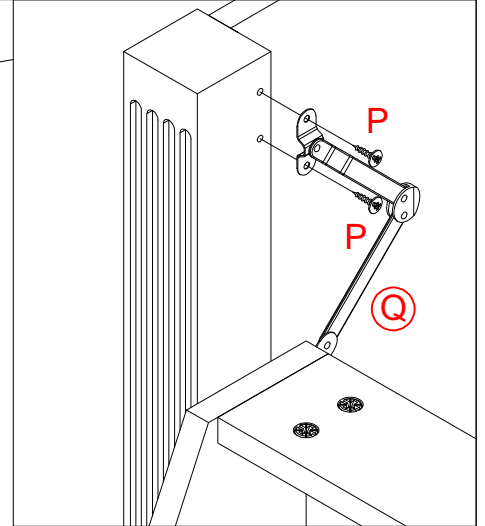
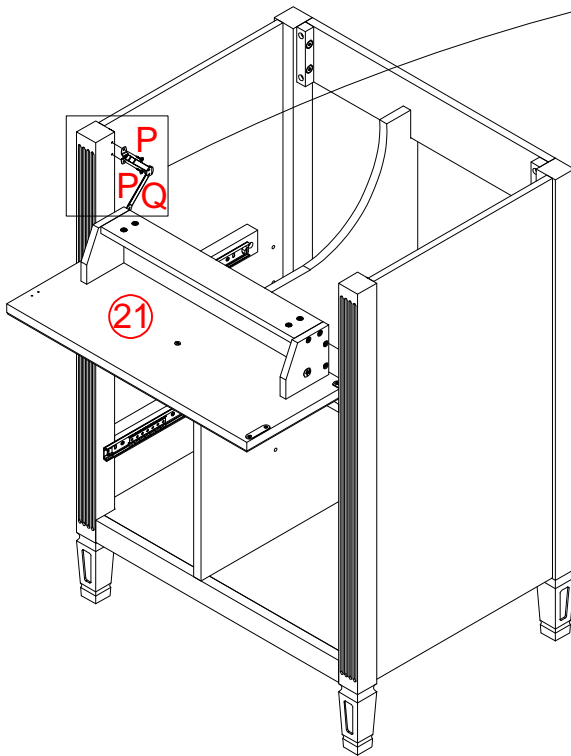
	<p>L15MM</p>		<p>2PCS</p>
--	--------------	--	-------------

STEP 13



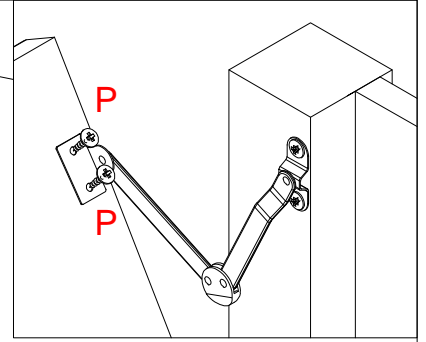
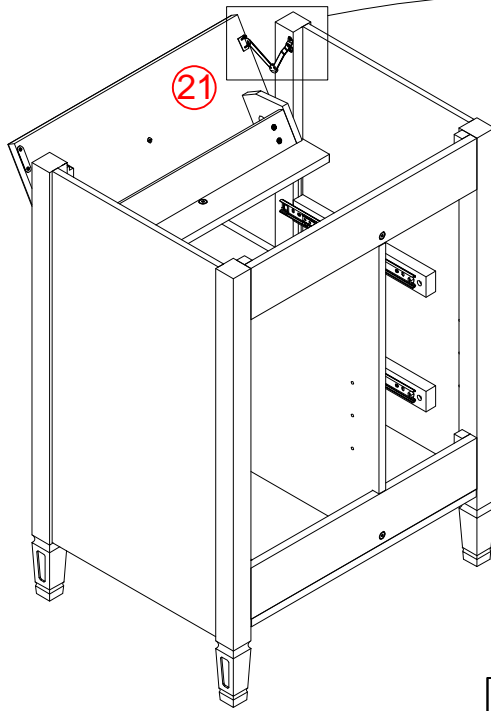
<p>Ⓟ</p>	<p>3.5*12MM</p>	 <p>2PCS</p>
----------	-----------------	-------------------------------------------------------------------------------------------------


STEP 14



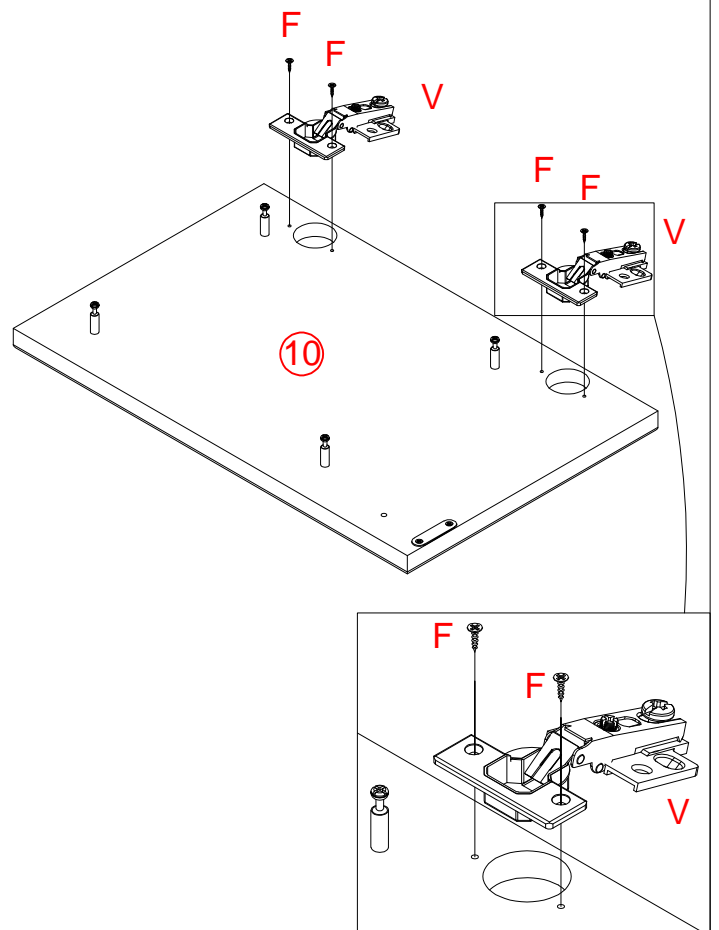
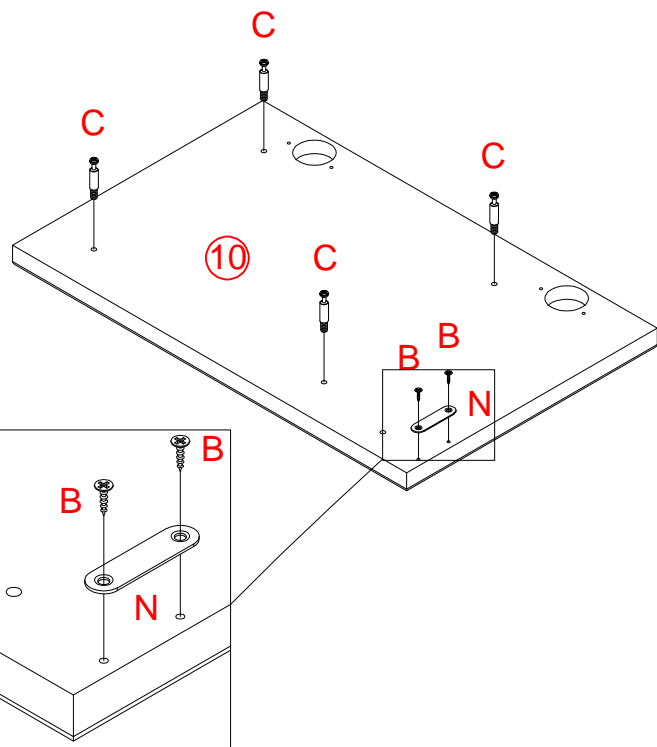
<p>Ⓟ</p>	<p>3.5*12MM</p>	 <p>2PCS</p>	<p>Ⓠ</p>	<p>HANDLE</p>	 <p>1PC</p>
----------	-----------------	-------------------------------------------------------------------------------------------------	----------	---------------	--------------------------------------------------------------------------------------------------

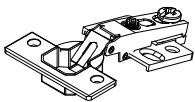


STEP 15


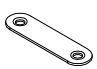


(P)	3.5*12MM		2PCS
-----	----------	-------------------------------------------------------------------------------------	------

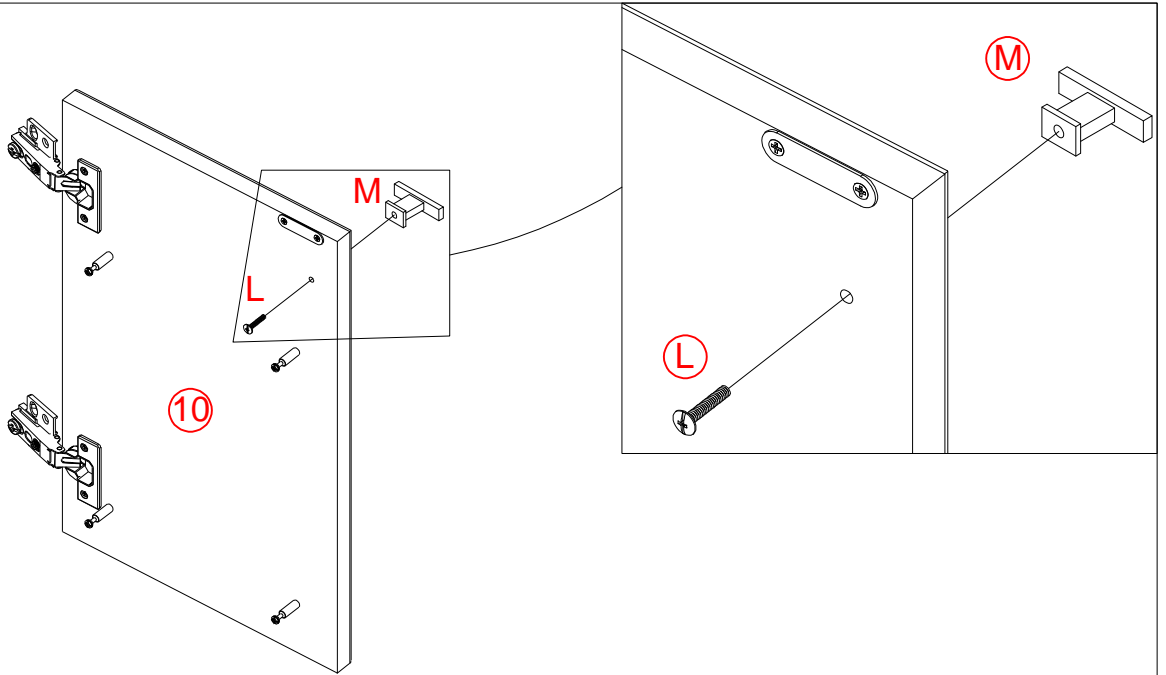
STEP 16


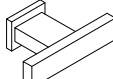


(V)	HINGES		2PCS
(B)	3.5*10MM		2PCS
(C)	Ø5*35MM		4PCS

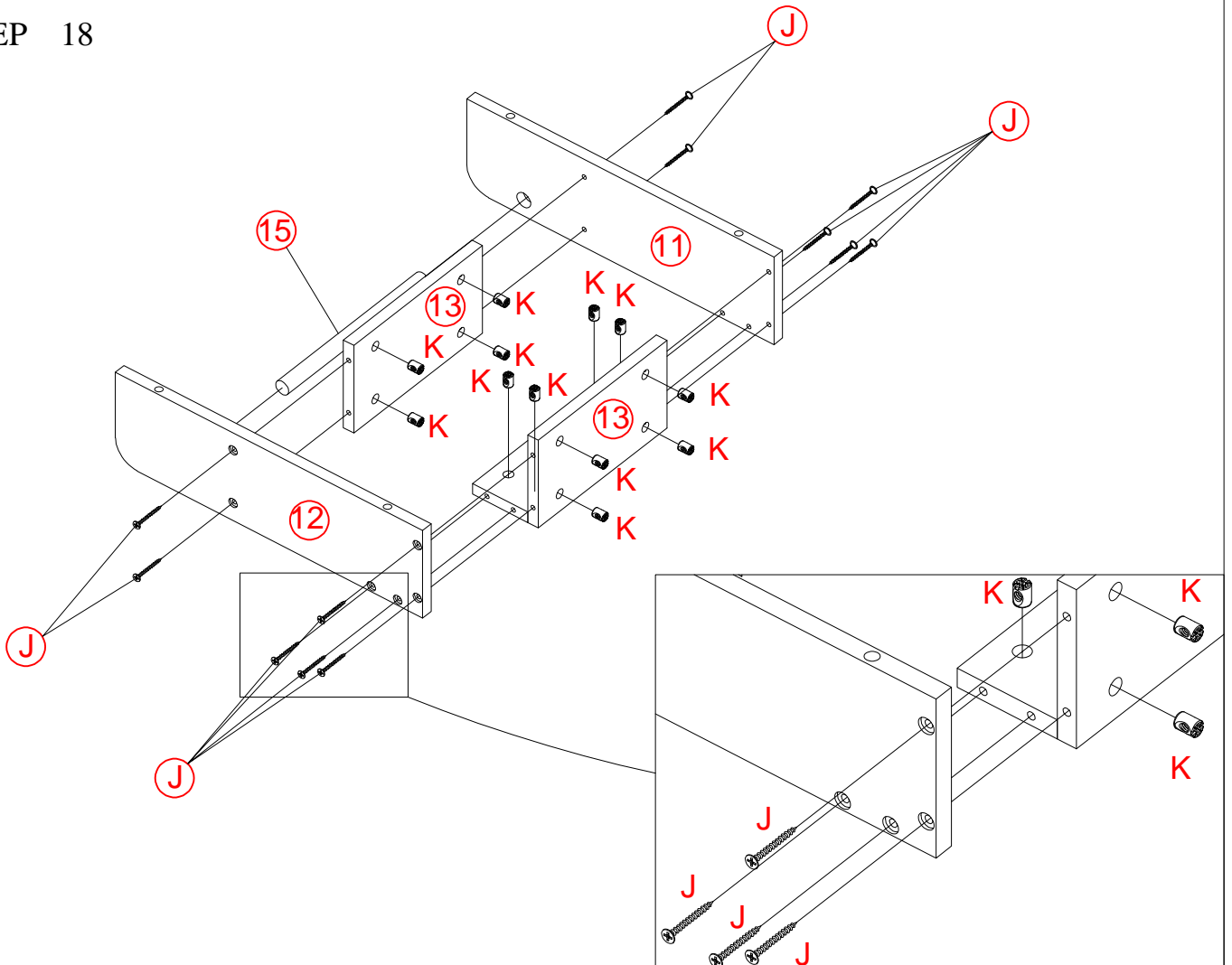
(F)	3.5*15MM		4PCS
(N)	L45MM		1PC

STEP 17



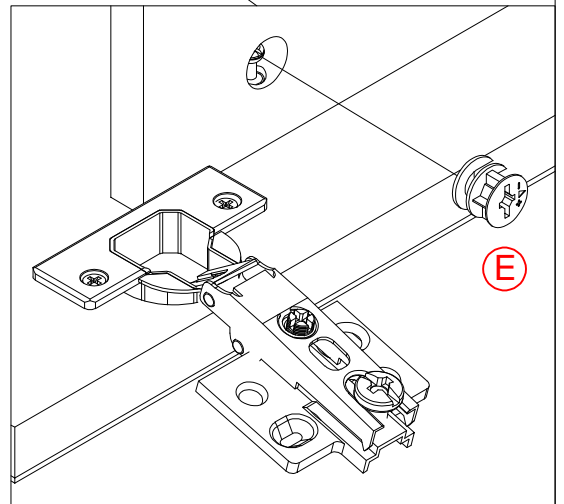
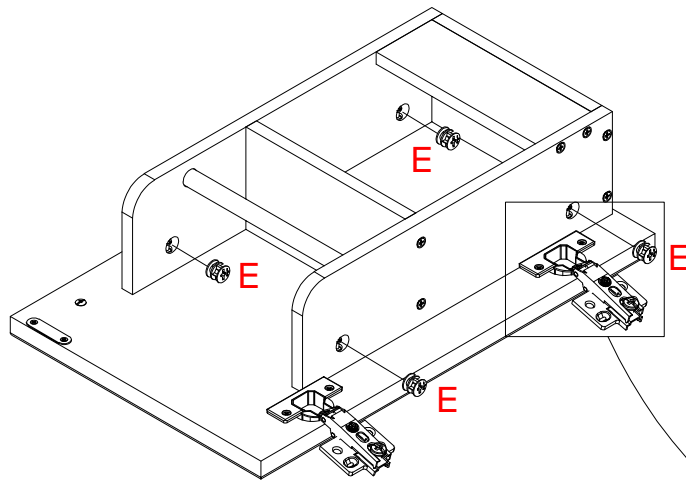
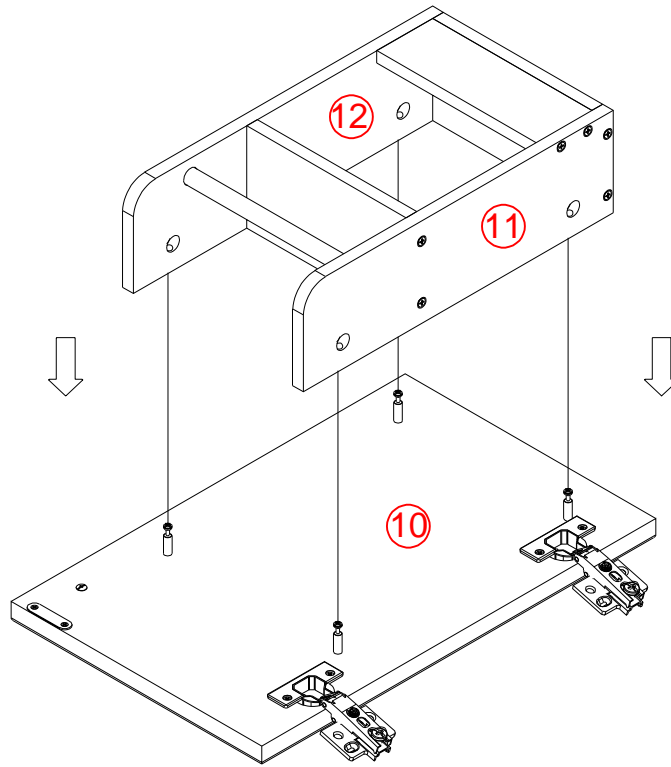
<p>(L)</p>	<p>M4*20MM</p>	 <p>1PC</p>	<p>(M)</p>	<p>Ø30mm</p>	 <p>1PC</p>
------------	----------------	----------------------------------------------------------------------------------------------	------------	--------------	------------------------------------------------------------------------------------------------

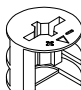
STEP 18



<p>(J)</p>	<p>M4*50MM</p>	 <p>12PCS</p>	<p>(K)</p>	<p>Ø 10*10MM</p>	 <p>12PCS</p>
------------	----------------	--------------------------------------------------------------------------------------------------	------------	------------------	----------------------------------------------------------------------------------------------------

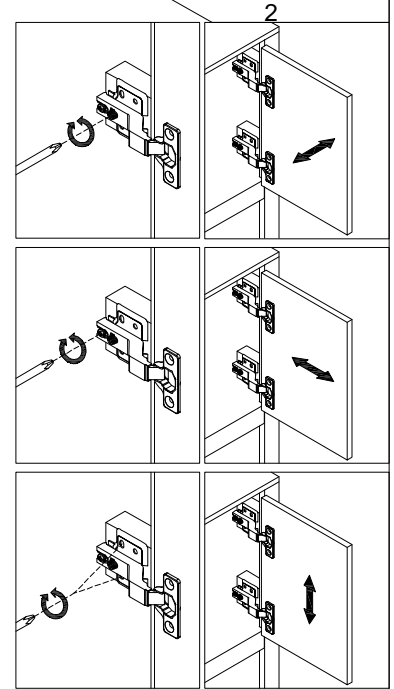
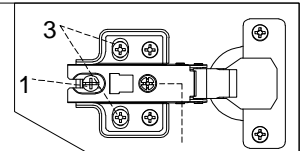
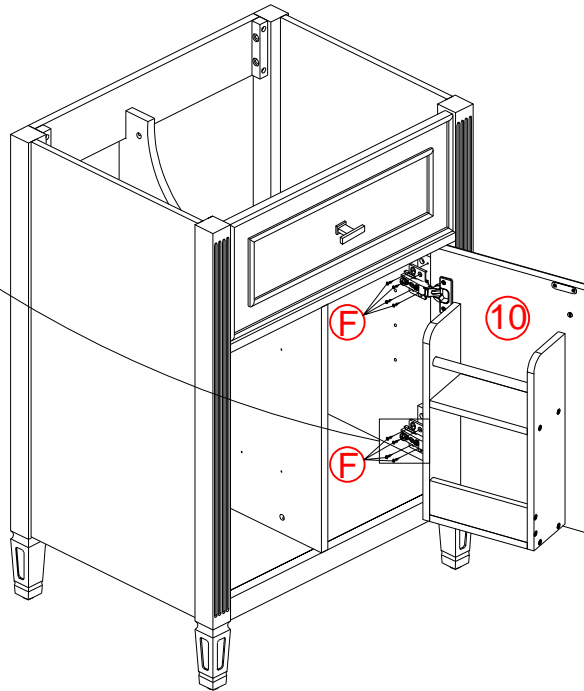
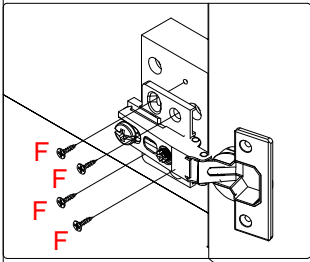
STEP 19




	Ø 15		4PCS
-------------------------------------------------------------------------------------	------	-------------------------------------------------------------------------------------	------

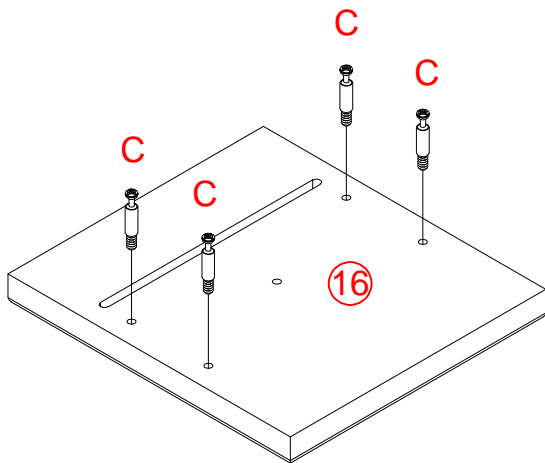
STEP 20

Three-way adjustable hinge for perfectly aligned doors  
 1. TO ADJUST DOOR FORWARD OR BACKWARD.  
 2. TO ADJUST DOOR TO RIGHT OR TO LEFT.  
 3. TO ADJUST DOOR UP OR DOWN.

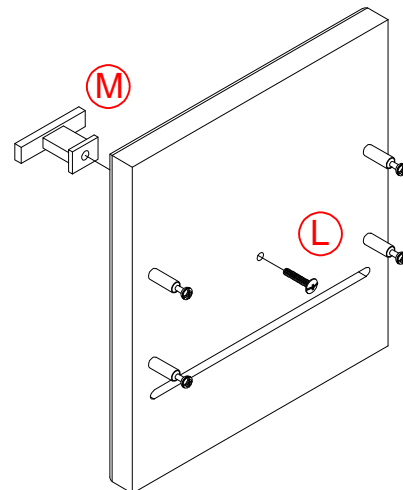


(F)	3.5*15MM		8PCS
-----	----------	-------------------------------------------------------------------------------------	------


STEP 21



X2

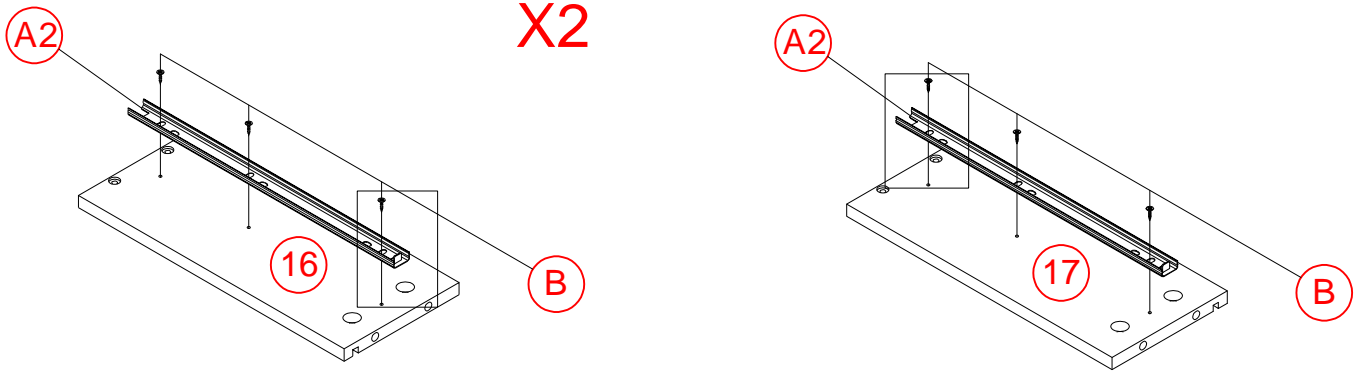
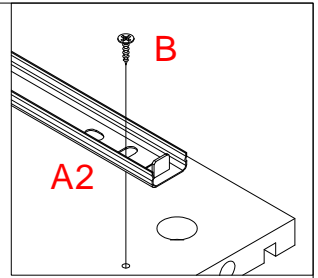


(L)	M4*20MM		2PCS
-----	---------	-------------------------------------------------------------------------------------	------

(C)	Ø5*35MM		8PCS
-----	---------	-------------------------------------------------------------------------------------	------

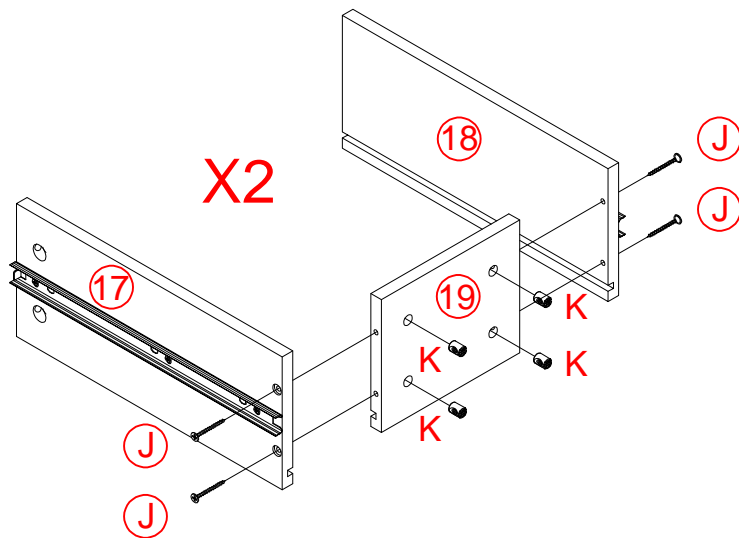
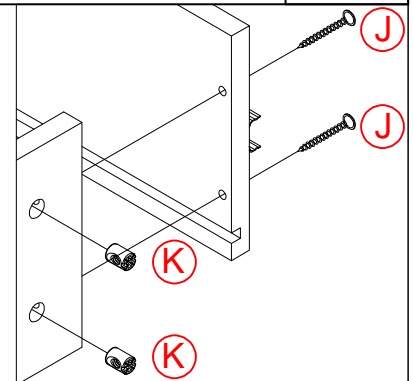
(M)	Ø30mm		2PCS
-----	-------	---------------------------------------------------------------------------------------	------

STEP 22



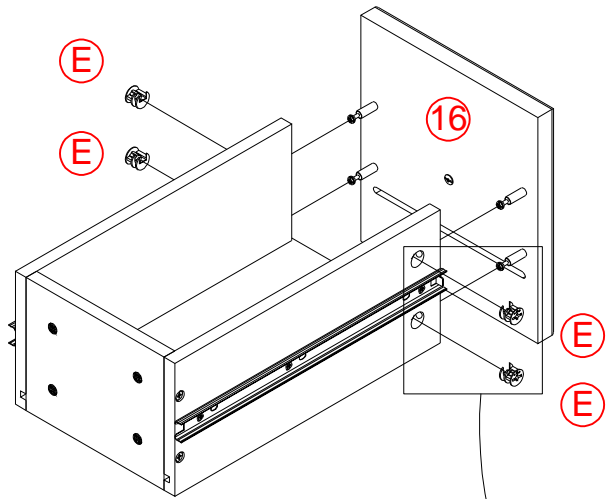
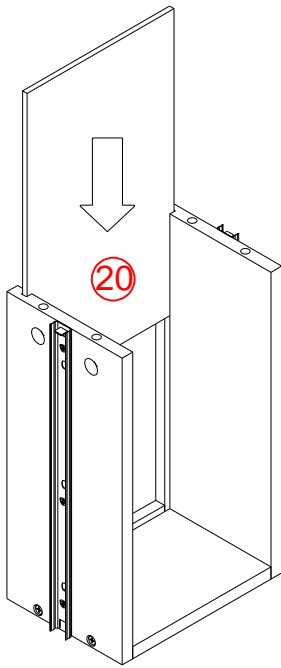
<p>(A)</p>	<p>L45*300MM</p> 	<p>4PCS</p>	<p>(B)</p>	<p>3.5*10MM</p> 	<p>12PCS</p>
------------	-----------------------------------------------------------------------------------------------------	-------------	------------	------------------------------------------------------------------------------------------------------	--------------

STEP 23

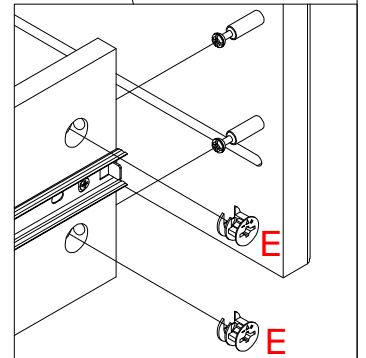


<p>(J)</p>	<p>M4*50MM</p> 	<p>8PCS</p>	<p>(K)</p>	<p>Ø 10*10MM</p> 	<p>8PCS</p>
------------	----------------------------------------------------------------------------------------------------	-------------	------------	--------------------------------------------------------------------------------------------------------	-------------

STEP 24

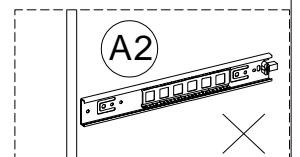
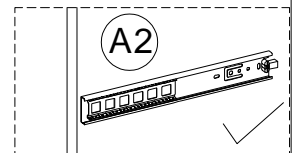
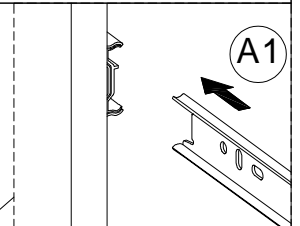
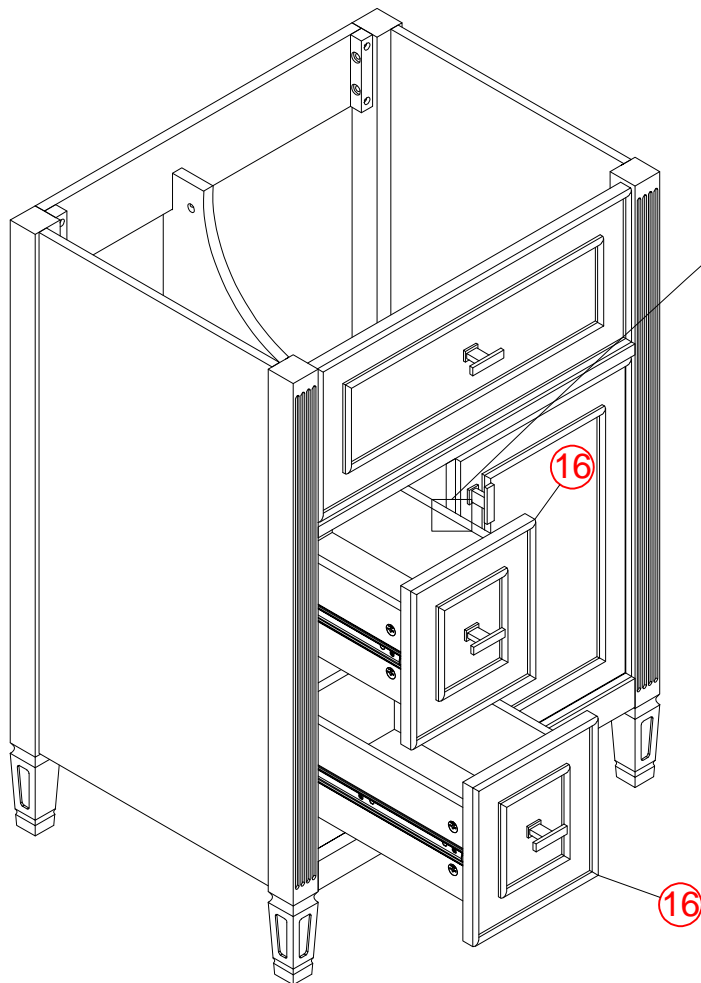


X2

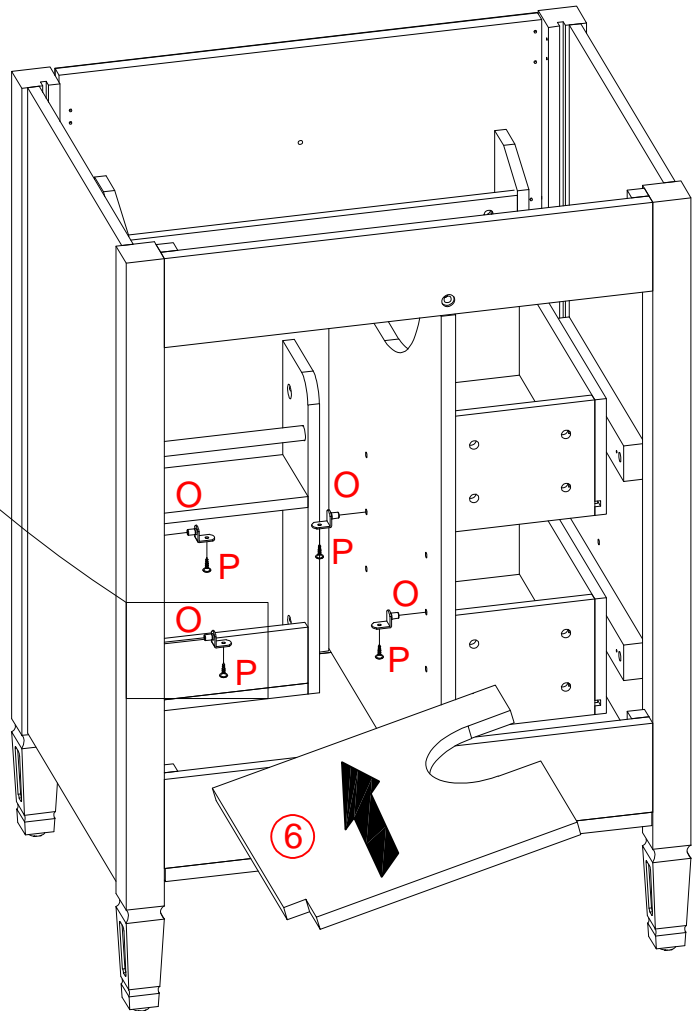
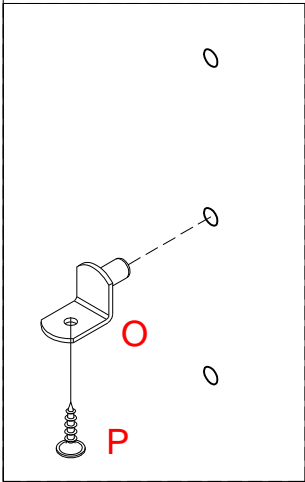


	<p>Ø 15</p>		<p>8PCS</p>
--	-------------	--	-------------

STEP 25



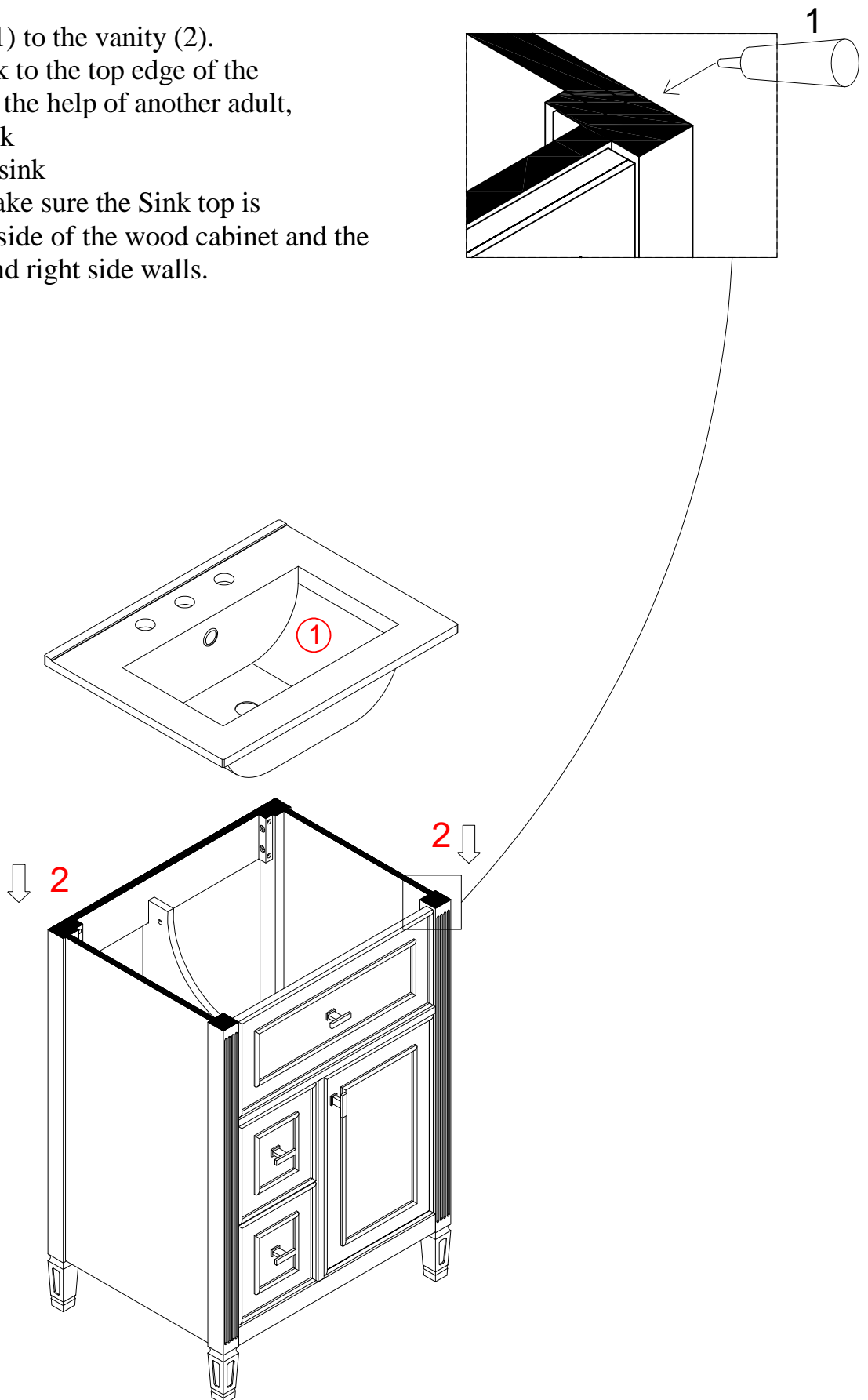
STEP 26



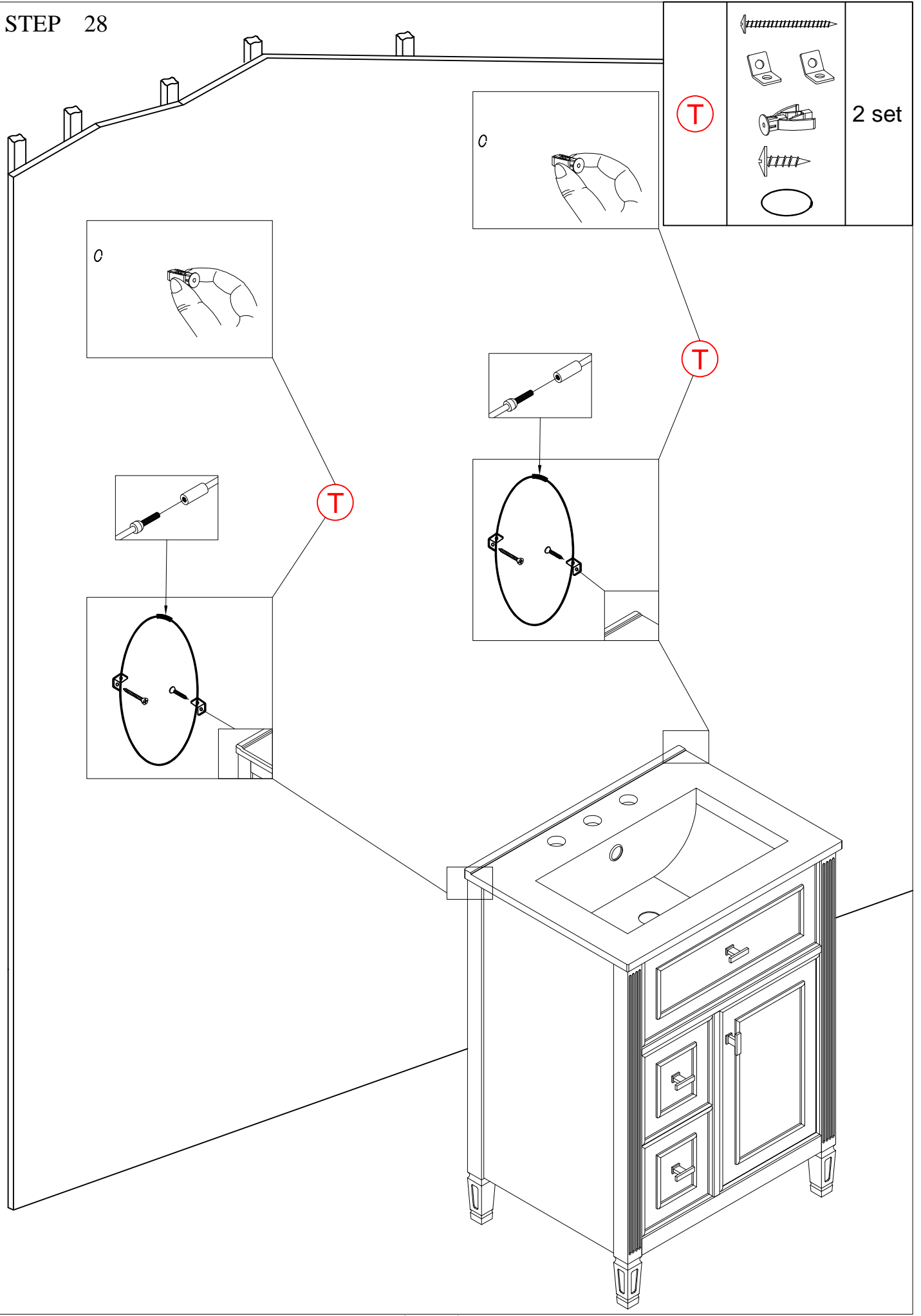
	<p>L15MM</p>		<p>4PCS</p>		<p>3.5*12MM</p>		<p>4PCS</p>
--	--------------	--	-------------	--	-----------------	--	-------------

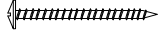

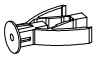
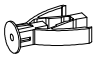
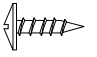

**STEP 27**

To install the Top (1) to the vanity (2).  
Apply silicone caulk to the top edge of the wood cabinet. With the help of another adult, gently lower the Sink top with assembled sink onto the cabinet. Make sure the Sink top is flush with the back side of the wood cabinet and the wood cabinet left and right side walls.

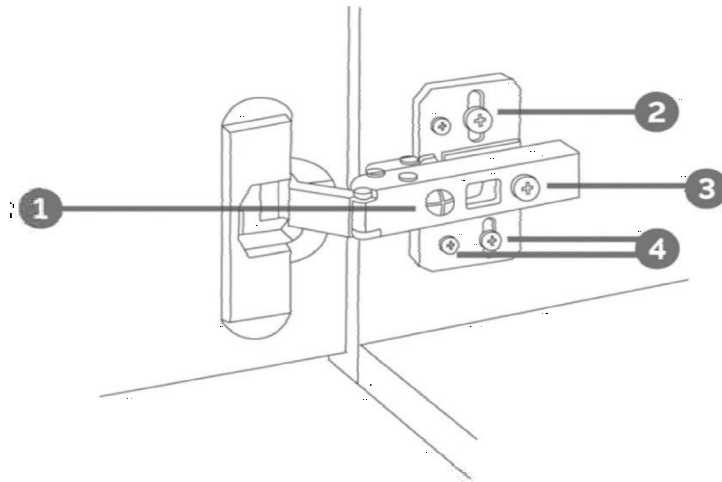


STEP 28



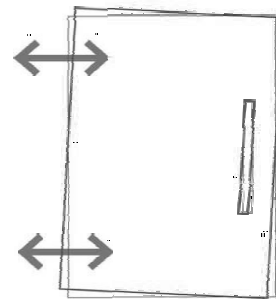
- 
  - 
  - 
  - 
  - 
  - 
- 2 set

# HINGE ADJUSTMENTS



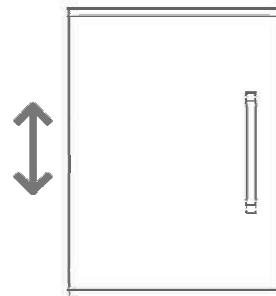
## 1 Sideways / Tilt adjustment

Turn the screw  
**clockwise** to move the door further away from  
 the side of the cabinet  
**anticlockwise** to move the door closer to the  
 side of the cabinet



## 2 4 Height adjustment

While supporting the weight of the door, turn the  
 screws  
**clockwise** to move the door up  
**anticlockwise** to move the door down



## 3 Forward and back adjustment

If the gap between the back of the door and the  
 cabinet is too small, and the door may not close  
 fully. Turn the screw  
**clockwise** to decrease the gap between the  
 door and the cabinet  
**anticlockwise** to increase the gap between the  
 door and the cabinet

