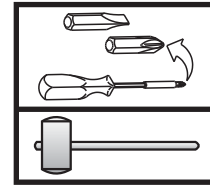
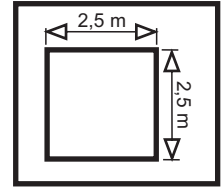
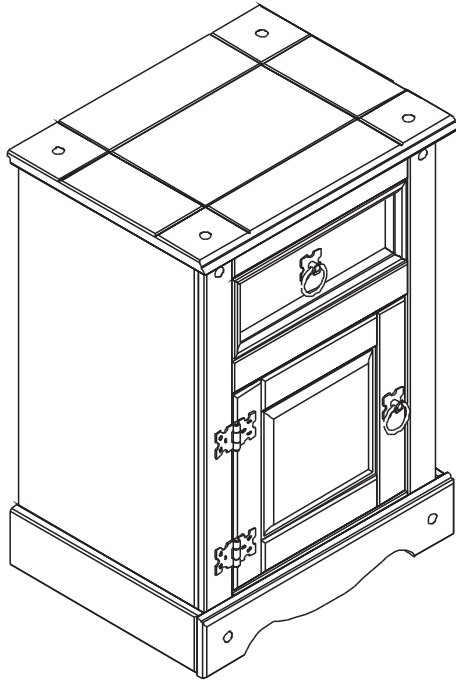
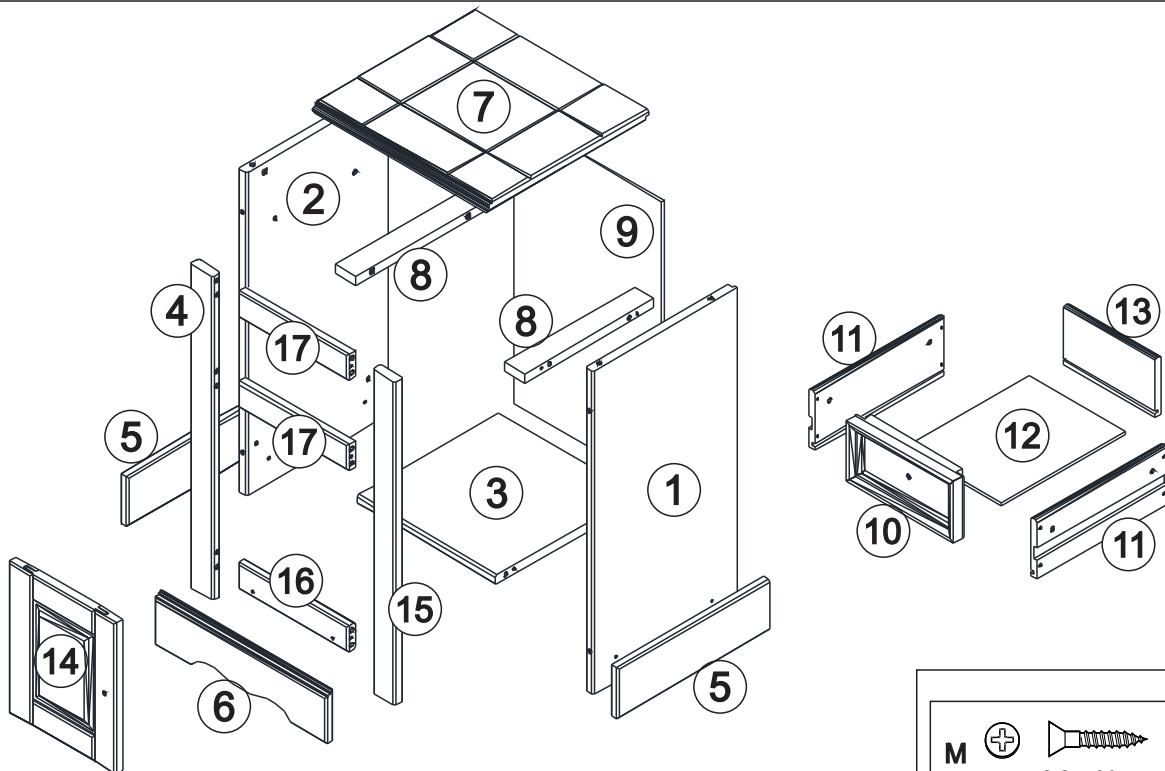


NARROW POT CUPBOARD



Width = 35cm
 Depth = 32,5cm
 Height = 57,9cm

- Please check that all fittings are correct before assembling the item.
- Replacement parts can be supplied for any damages to the item.
- Please keep all packaging until the item is assembled as we will require information from this if replacement parts are required.
- If you have any questions regarding the assembly of your item



A		3,5 x 30 mm	08 x
B		3,0 x 30 mm	14 x
C			02 x
D		8 x 8	16 x

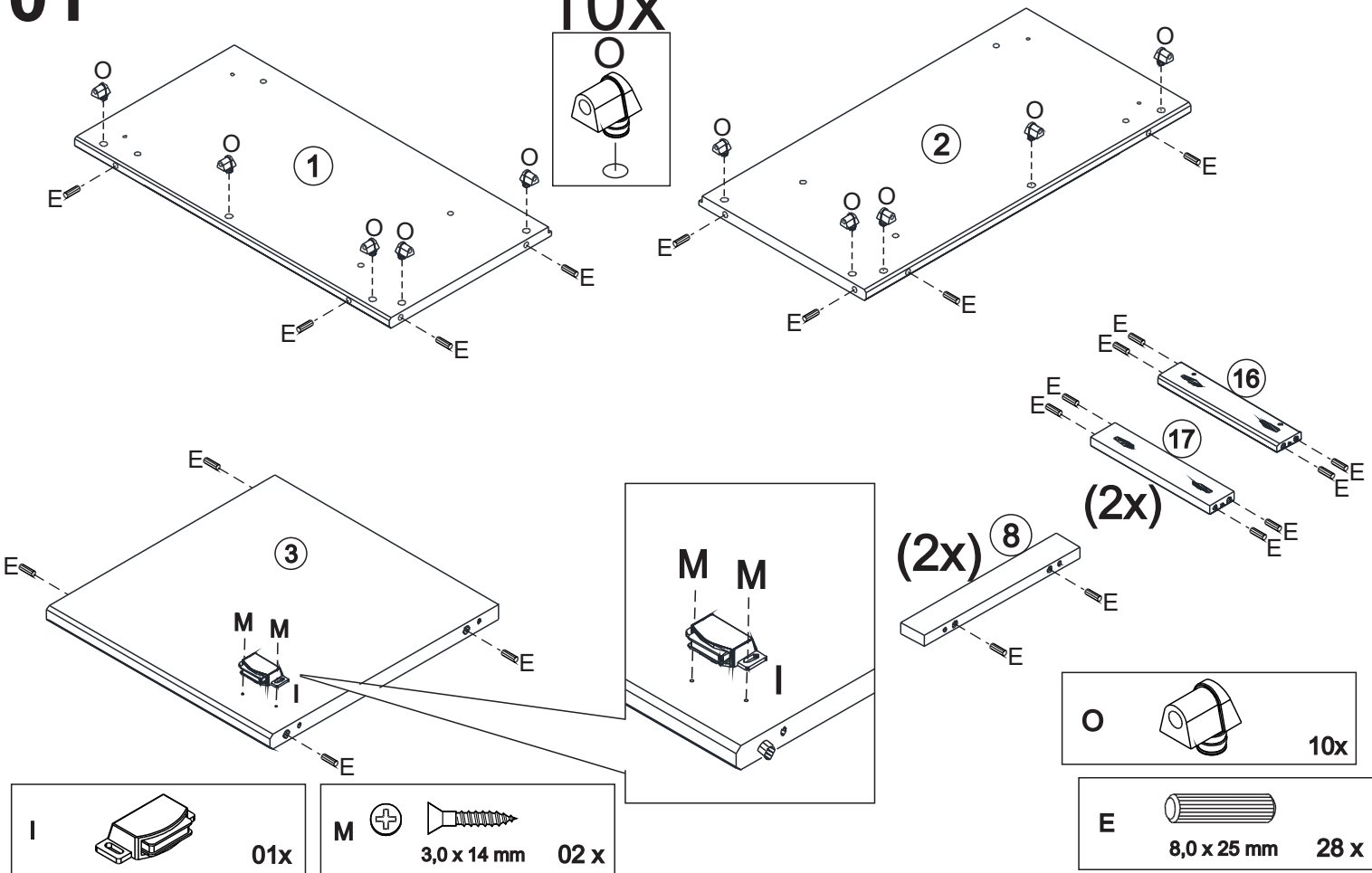
E		8,0 x 25 mm	28 x
F			02 x
G			08 x
H		4,0 x 25 mm	10 x

I			01x
J			02x
K			01x
L		3,5 x 14 mm	12 x

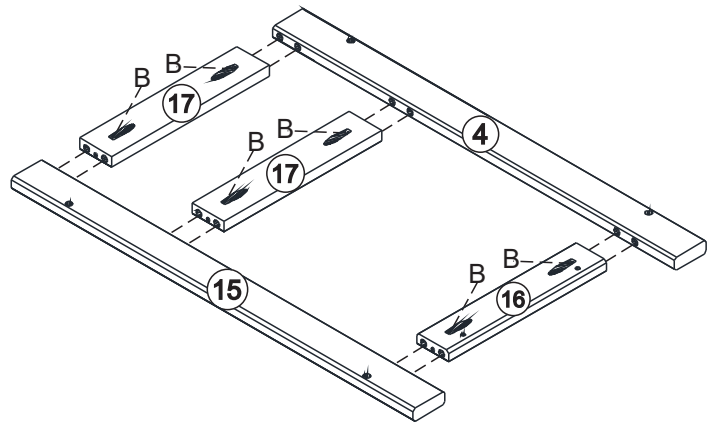
M		3,0 x 14 mm	04 x
N		8,0 x 40 mm	02 x
O			10x
P		4,0 x 30 mm	06x
Y			01 x

01

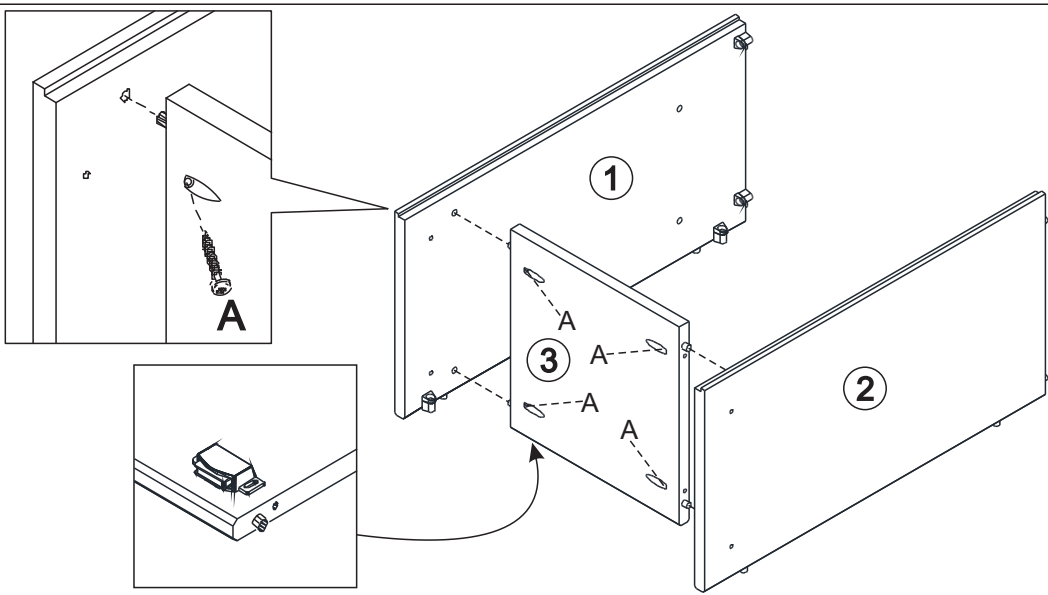
10x



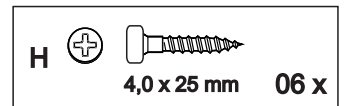
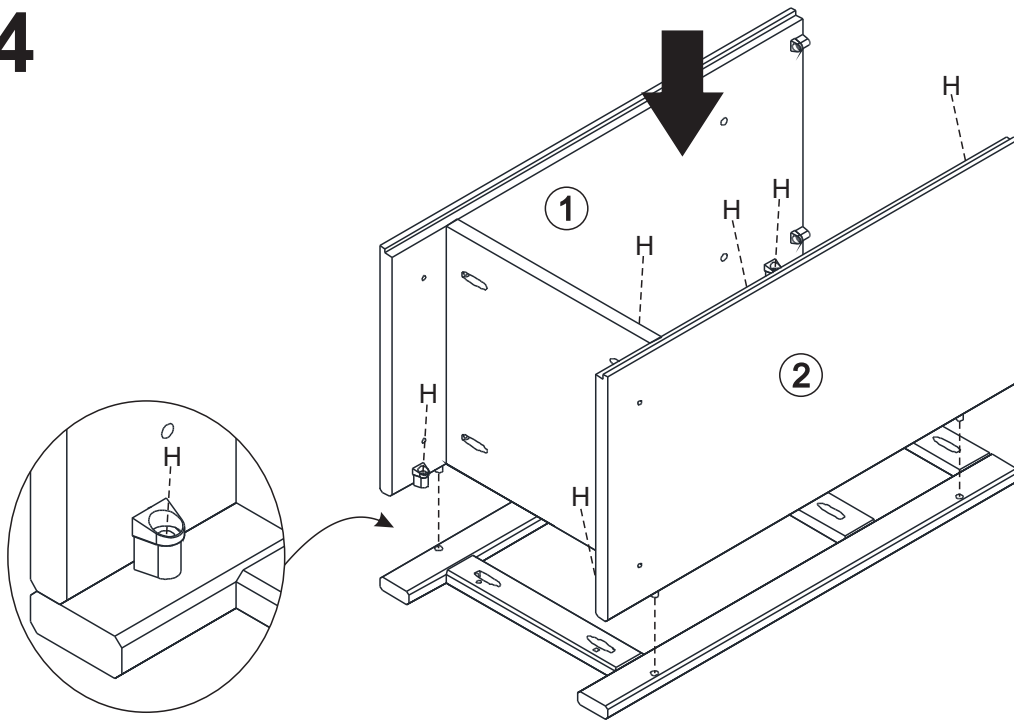
02



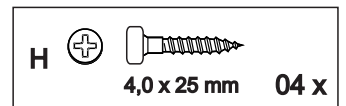
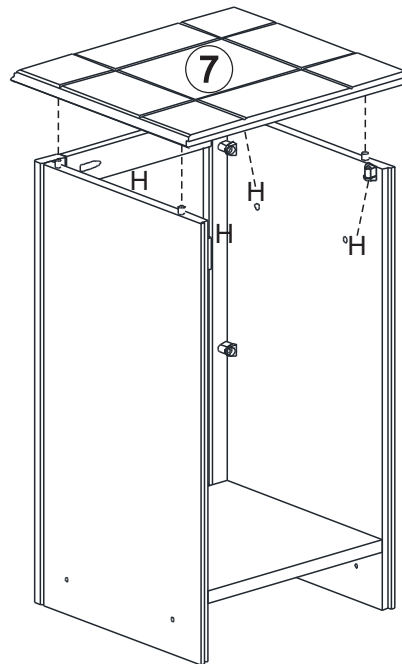
03



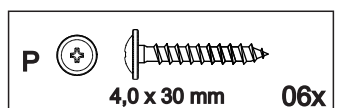
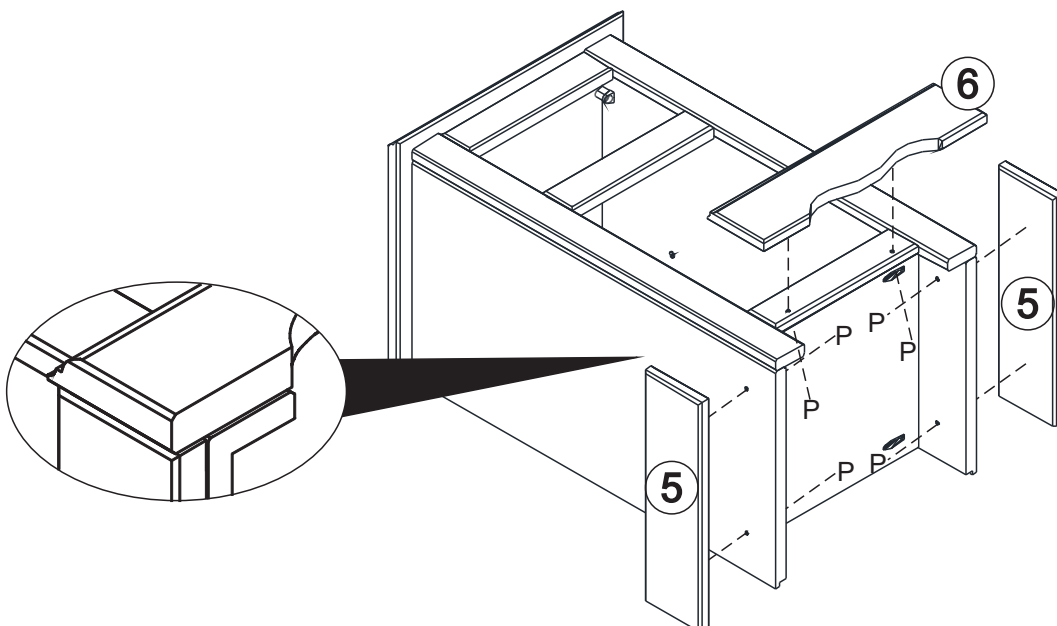
04



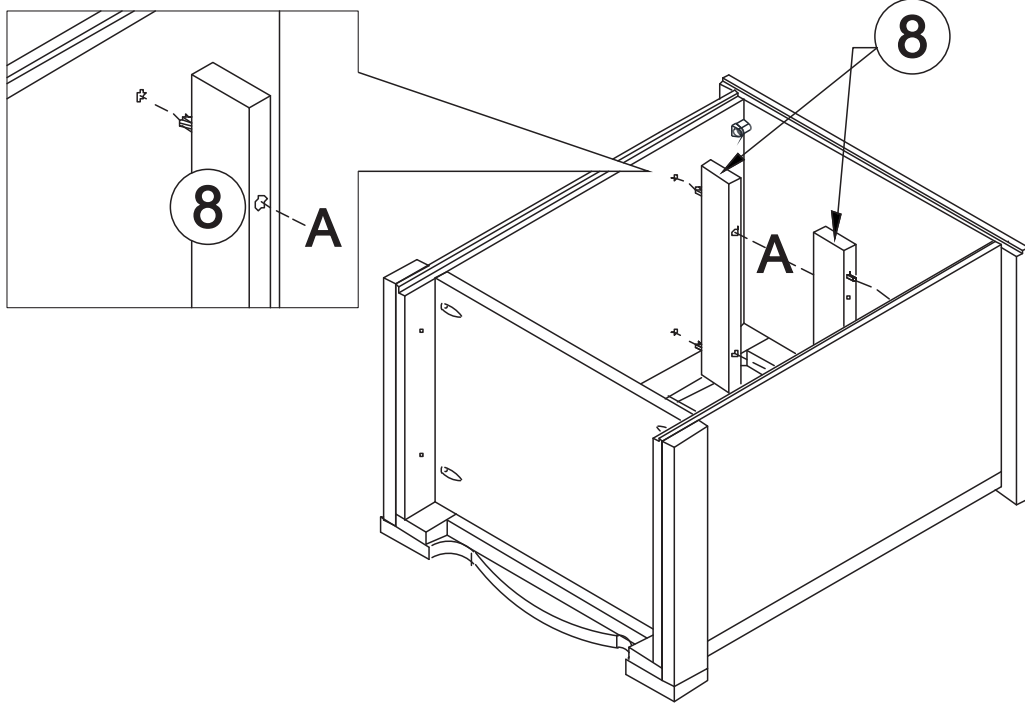
05



06

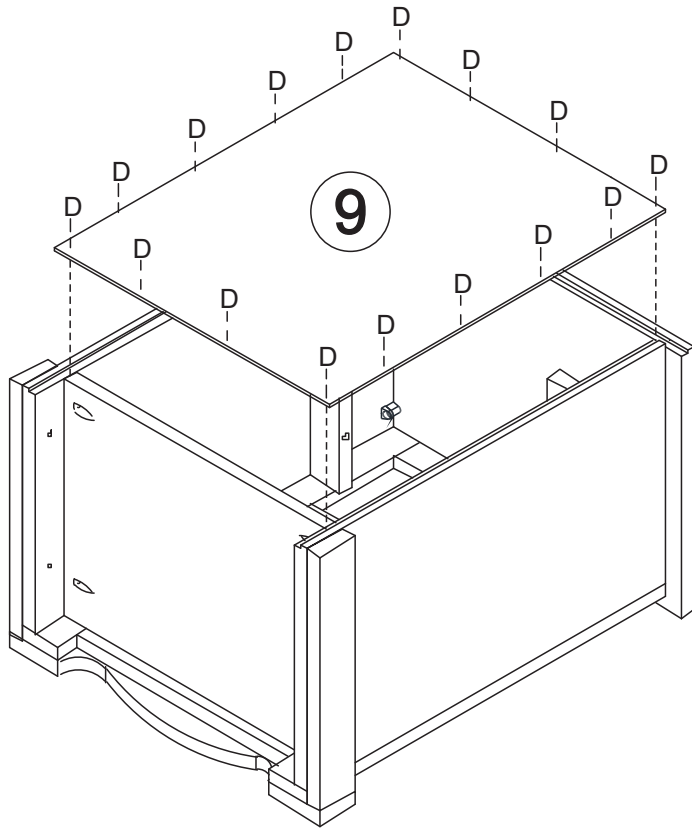


07



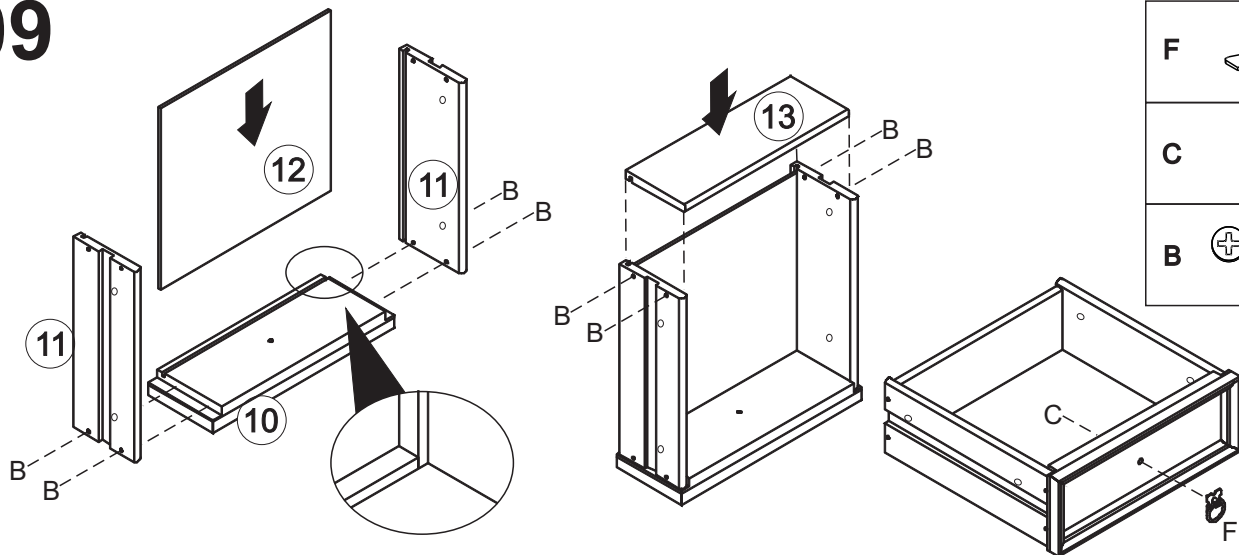
A			3,5 x 30 mm	04 x
---	--	--	-------------	------

08



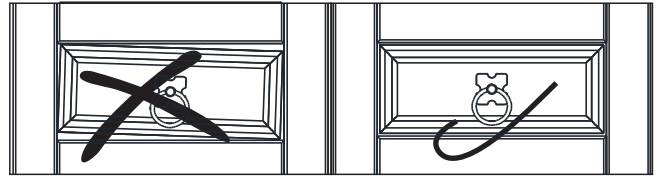
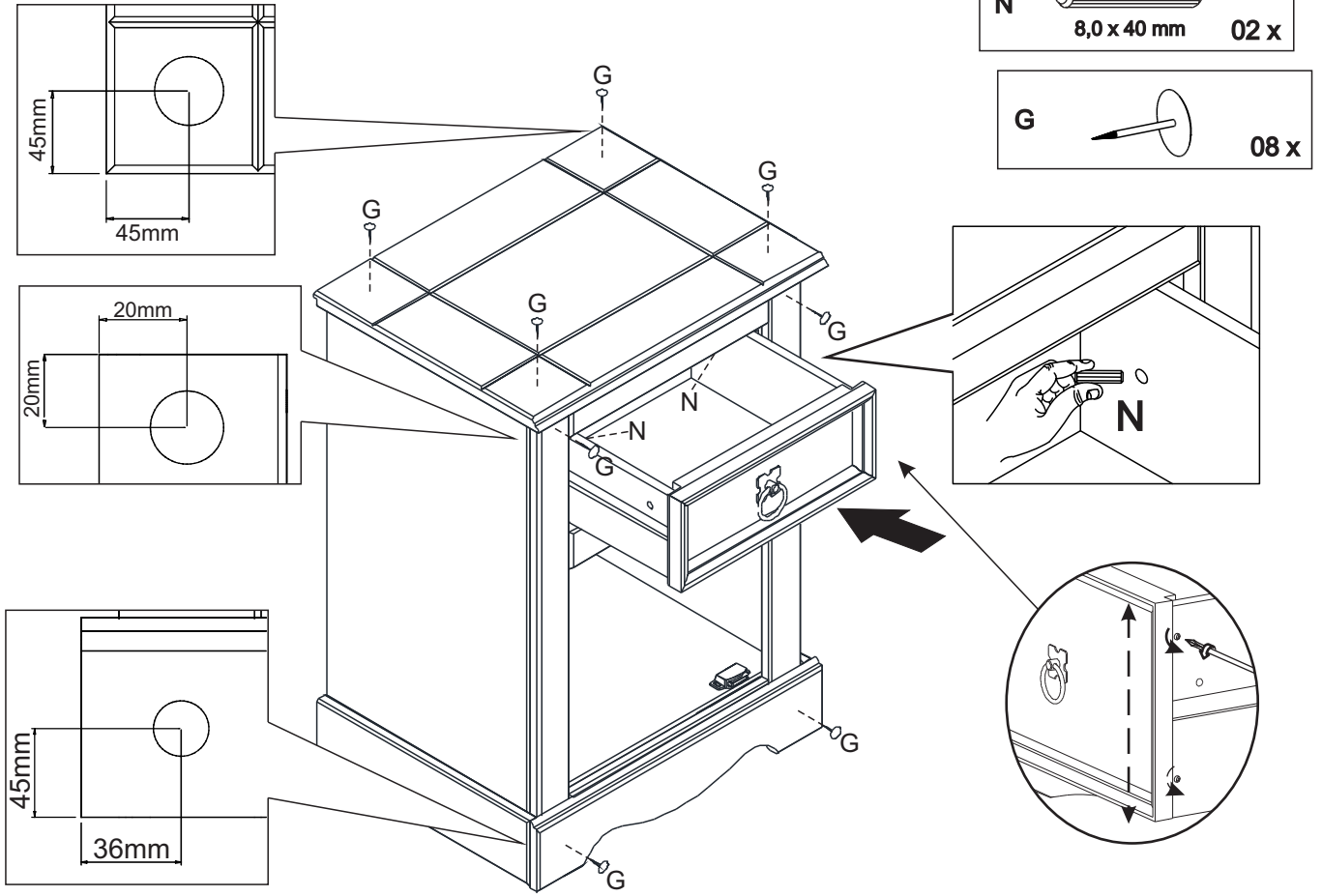
D			8 x 8	16 x
---	--	--	-------	------

09

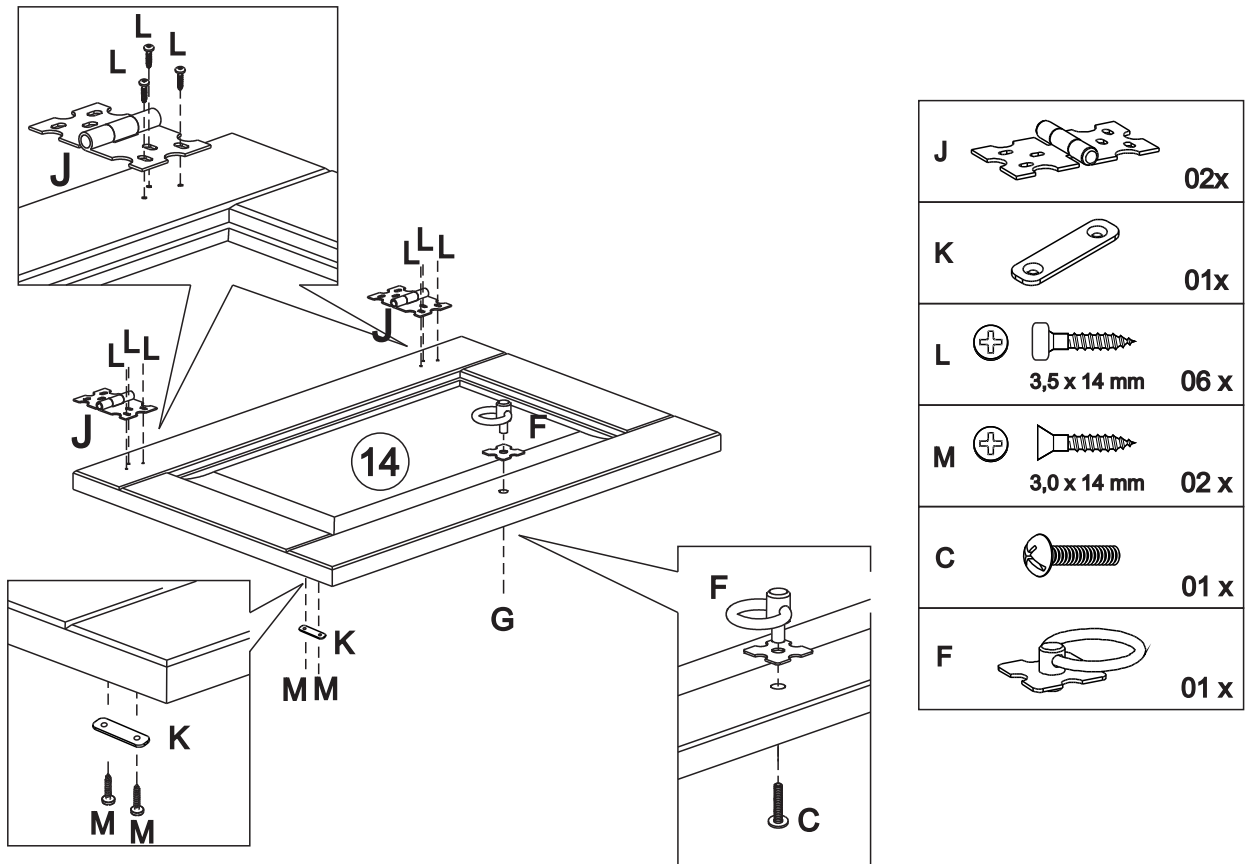


F			01 x
C			01 x
B			3,0 x 30 mm 08 x

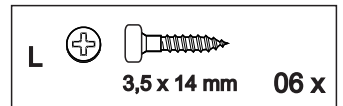
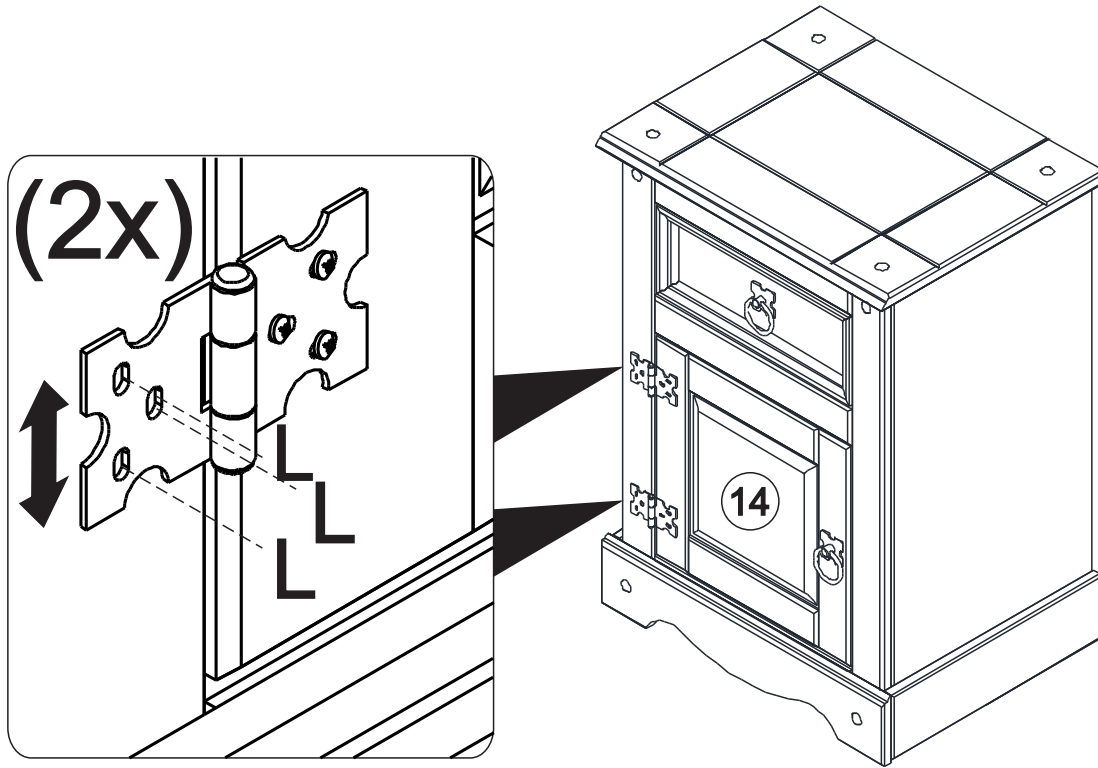
10



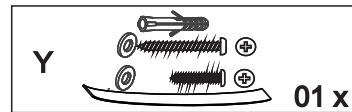
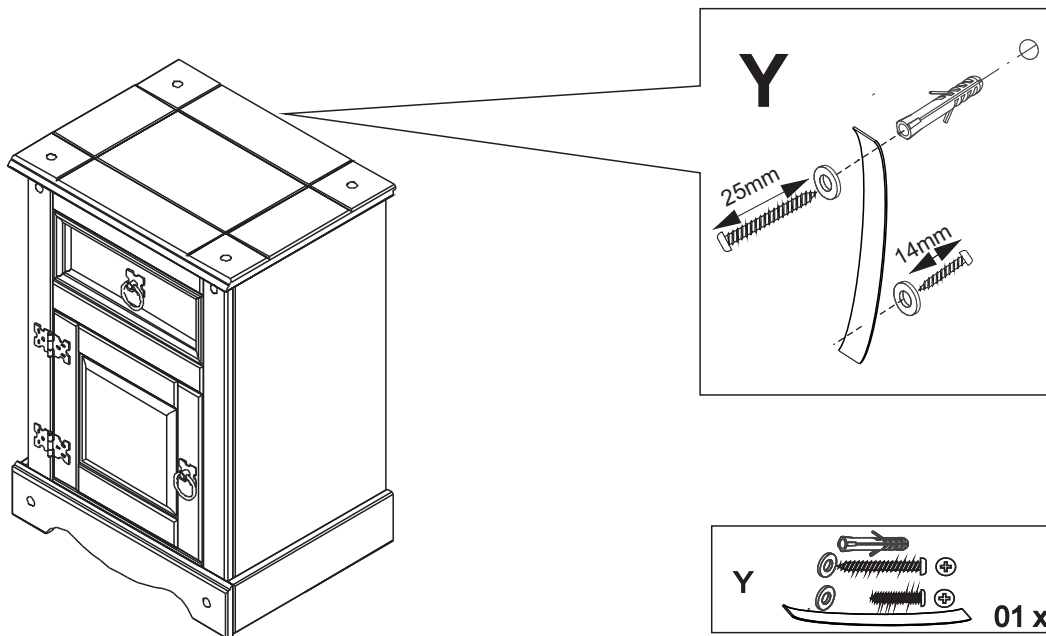
11



12



13



WARNING: CHECK FOR HIDDEN PIPES AND CABLES BEFORE DRILLING.

IMPORTANT: IF YOUR WALLS ARE NOT SOLID LIKE BRICK OR STONE, IT WILL REQUIRE SPECIAL FITTINGS (NOT SUPPLIED).

- Place the fixing strip against the wall and mark the position for drilling hole.
- Drill a hole in the wall to a depth of 30mm by using a 6mm drill bit. If the surface of your wall is soft and crumbly, we would advise you to use a 5mm drill bit for a tighter fit.
- Insert the wall plug into the hole with end flush to the wall surface.
- Attach fixing strip to the wall using the 25mm screw + washer and securely tighten.
- Pre-drill small pilot hole on the back edge of the furniture top using a 2mm drill bit. Attach the other end fixing strip to the back edge of the furniture top using the 14mm screw + washer and securely tighten.