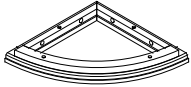
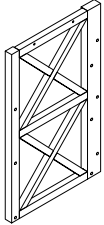
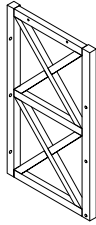
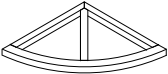
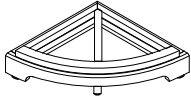
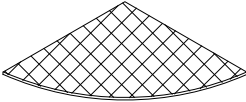
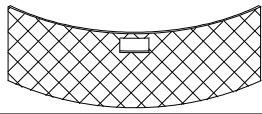
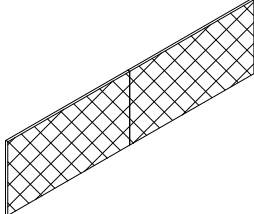


# ASSEMBLY INSTRUCTIONS


## 3 TIER CORNER CABINET WITH 3 BASKETS

PHILLIPS HEAD SCREWDRIVER NEEDED FOR ASSEMBLY; NOT INCLUDED. (IF APPLICABLE)

### PARTS LIST

No.	FIGURE	QTY	DESCRIPTION
A		1pc	TABLE TOP
B		1pc	RIGHT SIDE FRAME
C		1pc	LEFT SIDE FRAME
D		2pcs	SHELF FRAME
E		1pc	BOTTOM BASE
F		3pcs	BASKET BOTTOM
G		3pcs	BASKET FRONT
H		3pcs	BASKET LEFT AND RIGHT

### HARDWARE LIST

No.	FIGURE	QTY	DESCRIPTION
1		13 sets	Bolt- 3/16" x 35mm Flat Washer - 3/16" dia

# ASSEMBLY INSTRUCTIONS

## 3 TIER CORNER CABINET WITH 3 BASKETS

ASSEMBLE ON A FLAT, PROTECTED SURFACE.

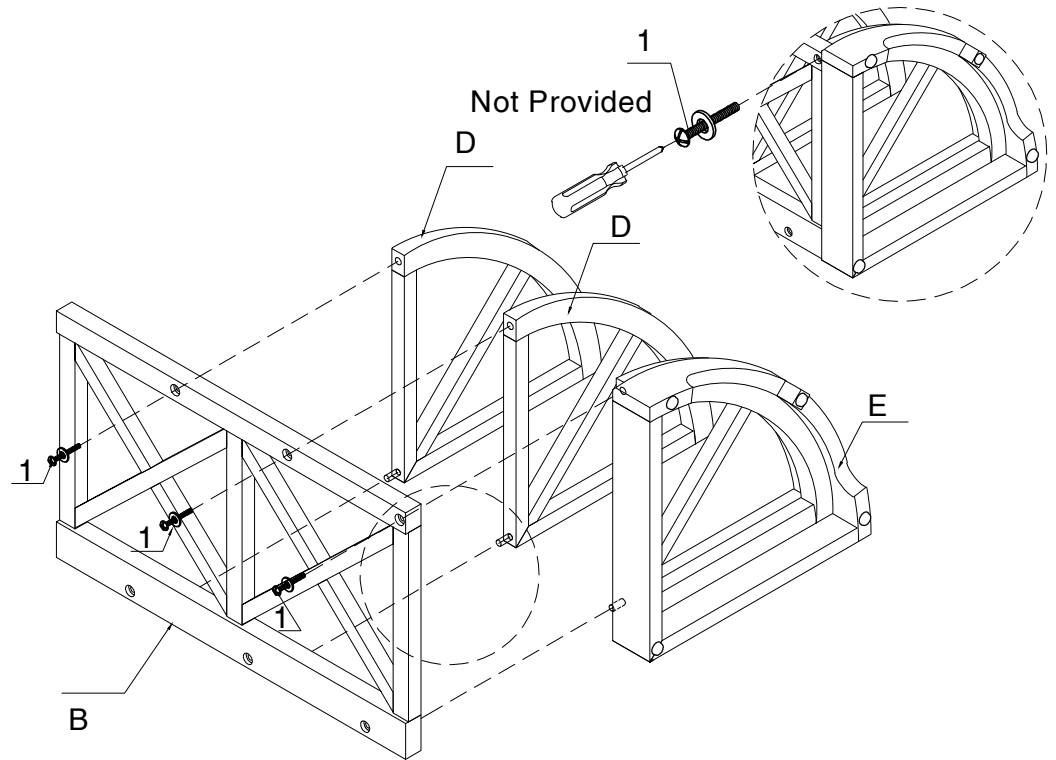
PHILLIPS HEAD SCREWDRIVER NEEDED FOR ASSEMBLY; NOT INCLUDED. (IF APPLICABLE)

### STEP 1

A. PLACE RIGHT SIDE FRAME (B) ON A FLAT, PROTECTED SURFACE

B. ATTACH SHELF FRAMES (D) & BOTTOM BASE (E) TO RIGHT SIDE FRAME (B) WITH BOLTS AND FLAT WASHERS (1) .

C. USING PHILLIPS HEAD SCREWDRIVER ( NOT PROVIDED). LOOSELY TIGHTEN..

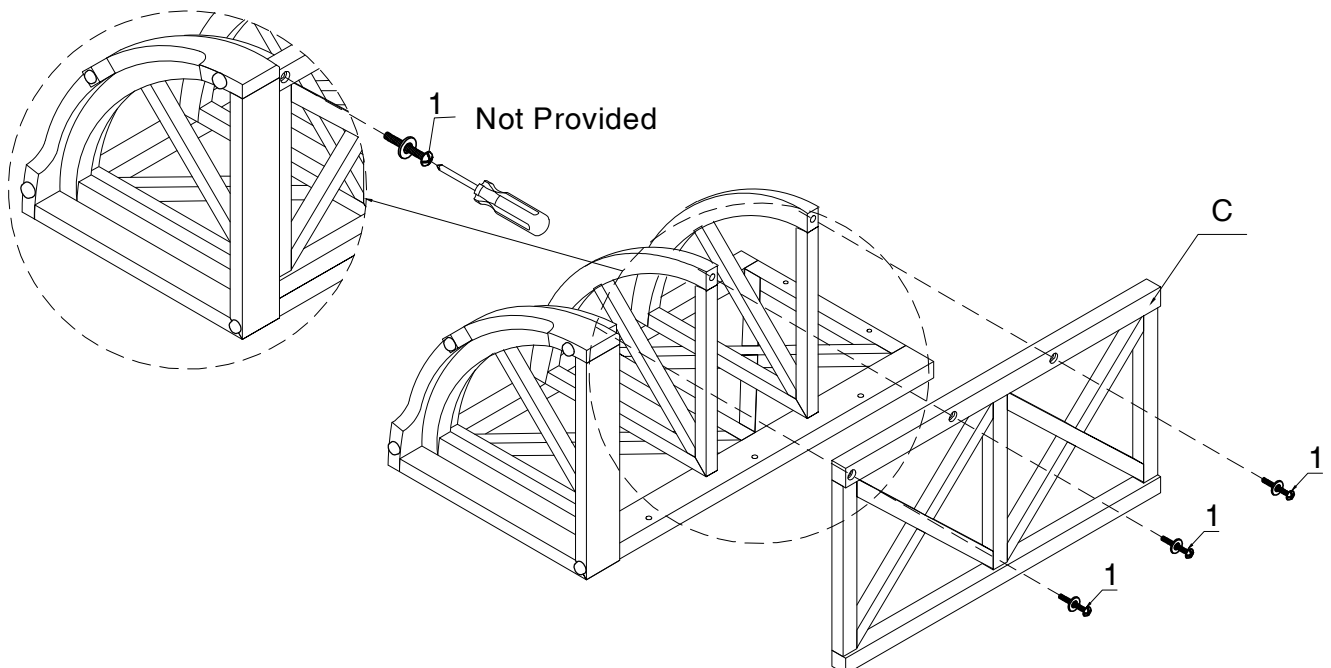


### STEP 2

A. ATTACH LEFT SIDE FRAME (C) TO THE ASSEMBLED UNIT FROM STEP 1 WITH BOLTS AND FLAT WASHERS (1) .

B. USING PHILLIPS HEAD SCREWDRIVER ( NOT PROVIDED).

C. TIGHTEN ALL BOLTS (1) .



# ASSEMBLY INSTRUCTIONS

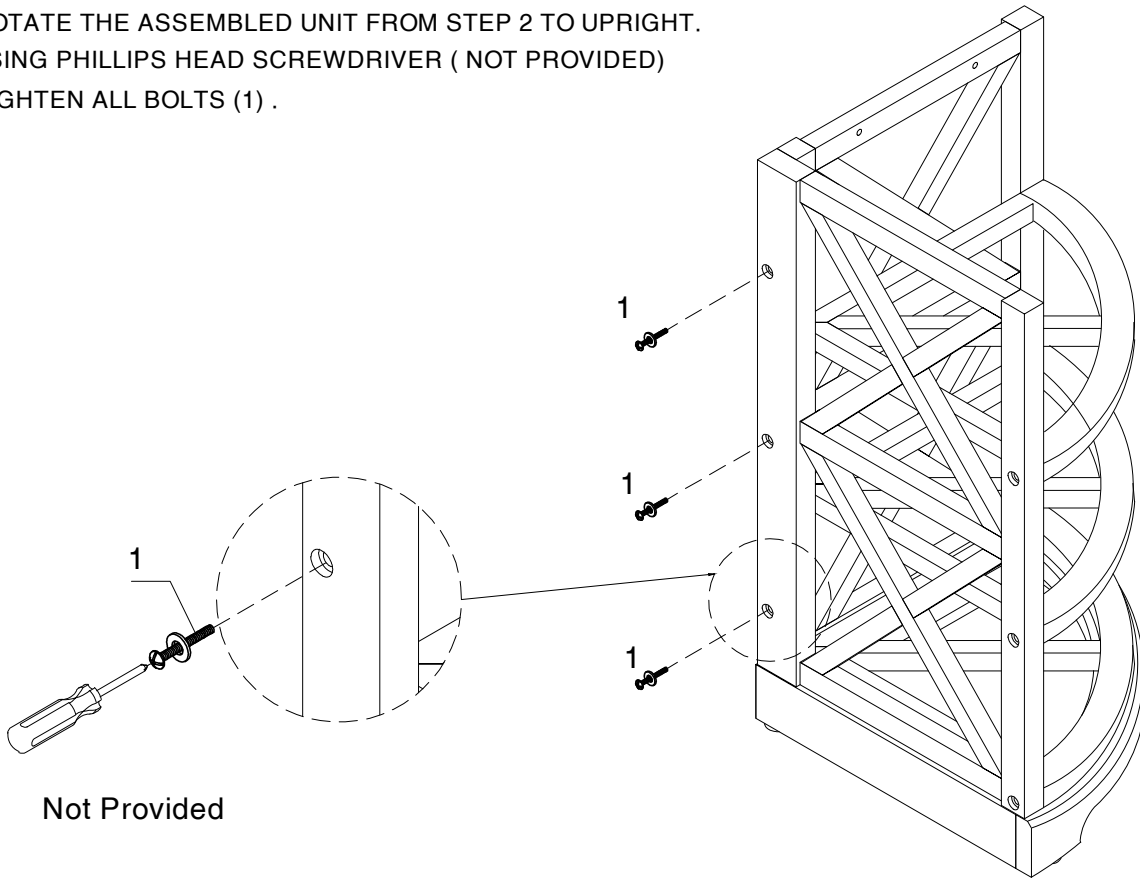
## 3 TIER CORNER CABINET WITH 3 BASKETS

ASSEMBLE ON A FLAT, PROTECTED SURFACE.

PHILLIPS HEAD SCREWDRIVER NEEDED FOR ASSEMBLY; NOT INCLUDED. (IF APPLICABLE)

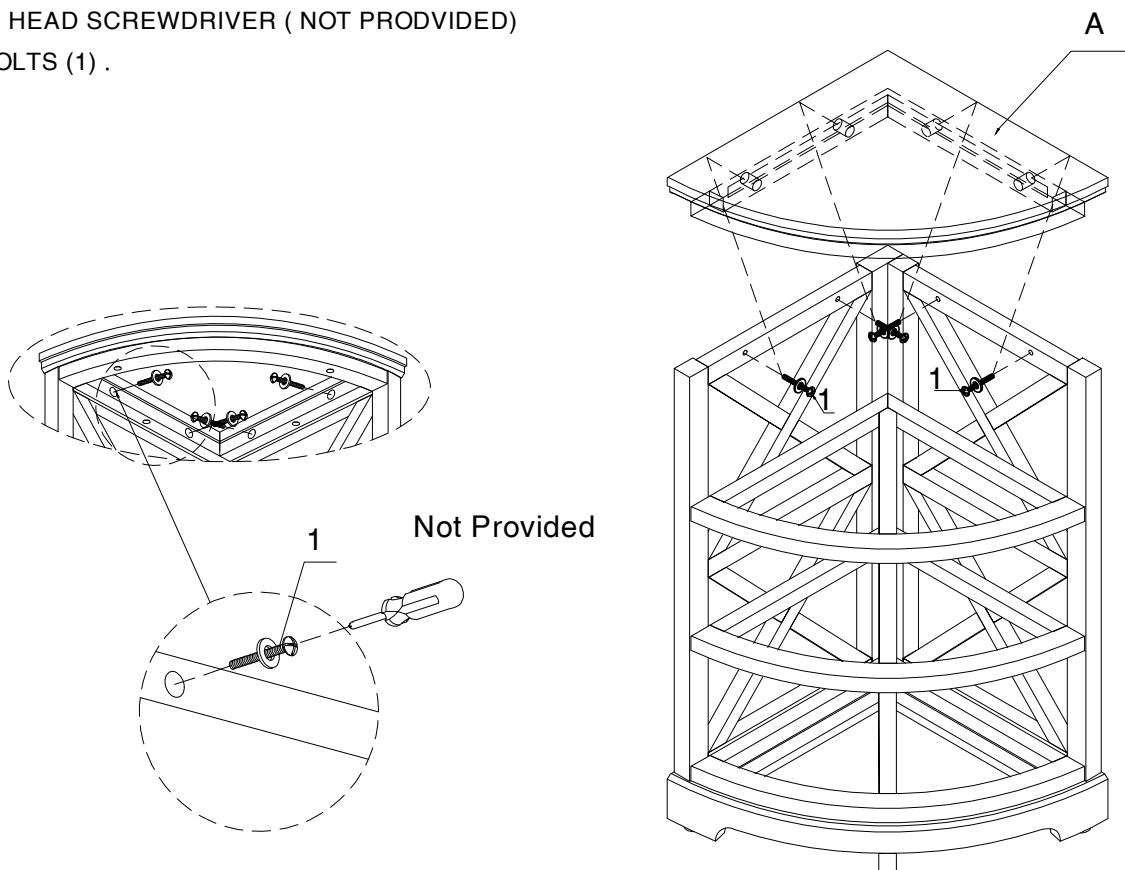
### STEP 3

- A. ROTATE THE ASSEMBLED UNIT FROM STEP 2 TO UPRIGHT.
- B. USING PHILLIPS HEAD SCREWDRIVER ( NOT PROVIDED)
- C. TIGHTEN ALL BOLTS (1) .



### STEP 4

- A. ATTACH TABLE TOP (A) ONTO THE ASSEMBLED UNIT FROM STEP 3 WITH BOLTS AND FLAT WASHERS (1) .
- B. USING PHILLIPS HEAD SCREWDRIVER ( NOT PROVIDED)
- C. TIGHTEN ALL BOLTS (1) .



# ASSEMBLY INSTRUCTIONS

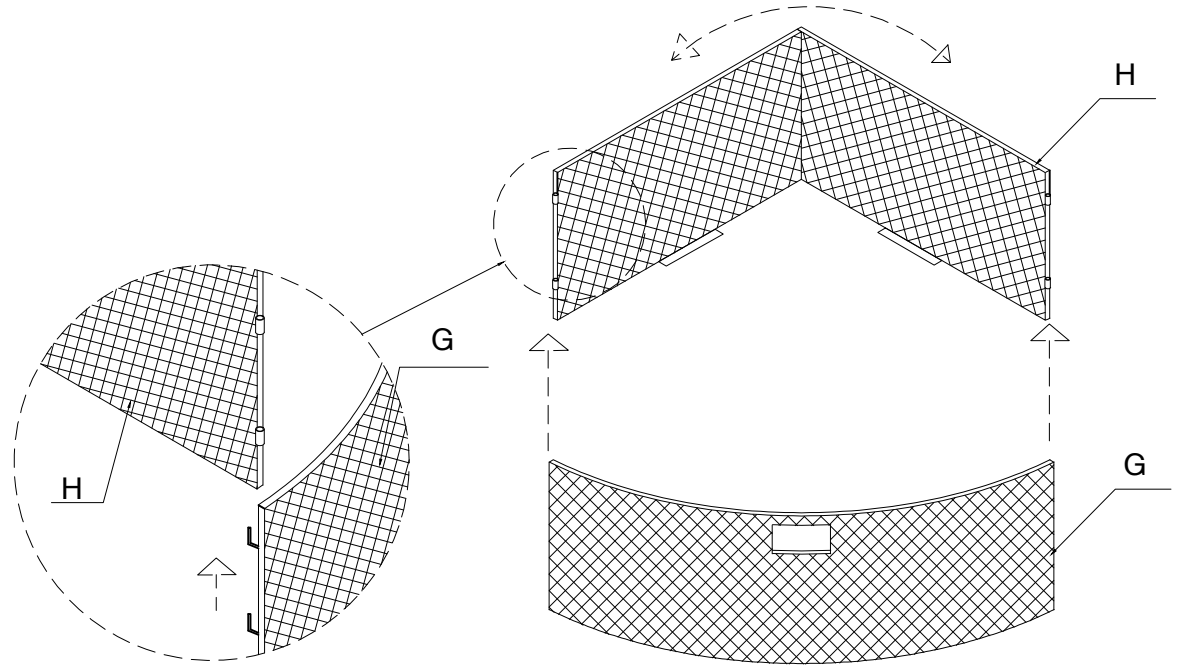
## 3 TIER CORNER CABINET WITH 3 BASKETS

ASSEMBLE ON A FLAT, PROTECTED SURFACE.

PHILLIPS HEAD SCREWDRIVER NEEDED FOR ASSEMBLY; NOT INCLUDED. (IF APPLICABLE)

### STEP 5

A. HOOK BASKET FRONT (G) INTO BASKET LEFT & RIGHT (H) AS SHOWN.

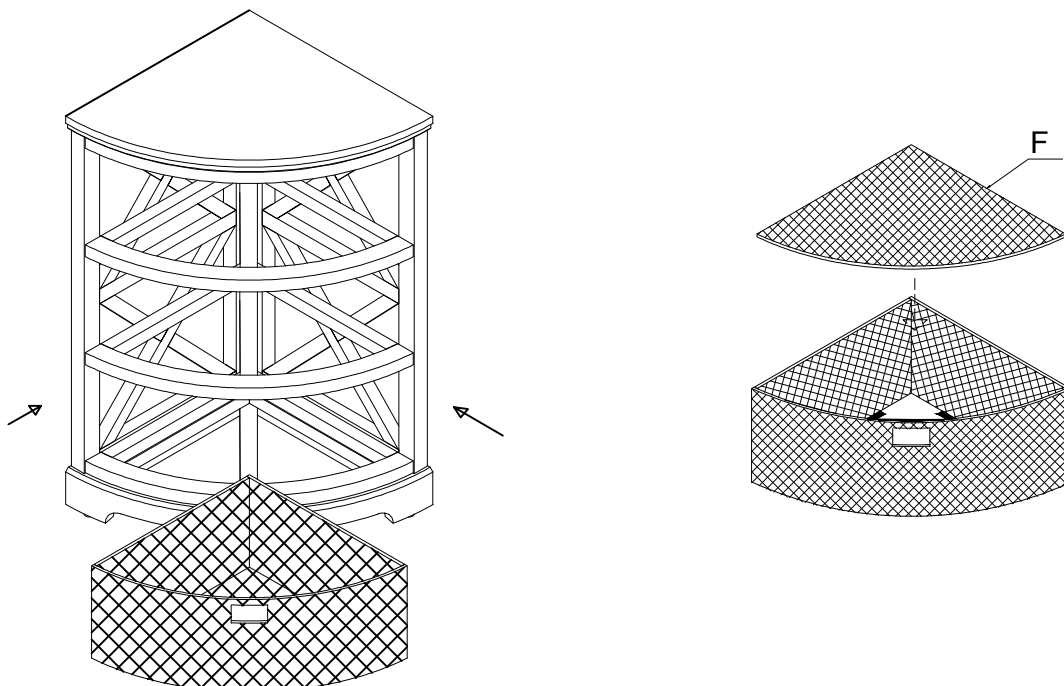


### STEP 6:

A. INSERT BASKET BOTTOM (F) INTO THE ASSEMBLED BASKET FROM STEP 5.

B. REPEAT FOR REMAINING BASKET BOTTOMS (F).

C. PLACE THE BASKETS INTO TOWER AS SHOWN.



# ASSEMBLY INSTRUCTIONS

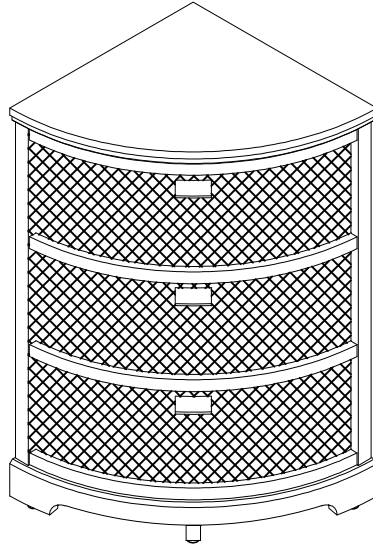
## 3 TIER CORNER CABINET WITH 3 BASKETS

ASSEMBLE ON A FLAT, PROTECTED SURFACE.

PHILLIPS HEAD SCREWDRIVER NEEDED FOR ASSEMBLY; NOT INCLUDED. (IF APPLICABLE)

### STEP 7

A. ASSEMBLY IS COMPLETED



#### IMPORTANT NOTES:

- PLACE ALL WOODEN PARTS ON A CLEAN AND SMOOTH SURFACE TO AVOID SCRATCHING.
- KINDLY FOLLOW THE ASSEMBLY INSTRUCTION STEP BY STEP.
- WE RECOMMEND THAT YOU PERIODICALLY TIGHTEN ALL BOLTS/SCREWS. PLEASE MAKE SURE ALL BOLTS/SCREWS ARE PLACED IN THEIR PROPER POSITION AND ARE TIGHTENED SECURELY TO ENSURE YOUR SAFETY.
- WEIGHT RESTRICTION: TOP: 25 LBS, BASKET: 15 LBS.
- DO NOT STAND OR CLIMB ON THE TOWER.
- NOT FOR COMMERCIAL USE.

\*\*\* IN CASE YOU NEED ANY EXTRA PARTS, PLEASE FEEL FREE TO CONTACT US DIRECTLY INSTEAD OF  
\*\*\* RETURNING YOUR ORDER.