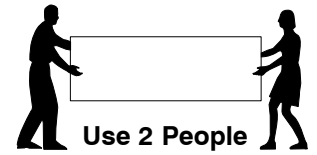
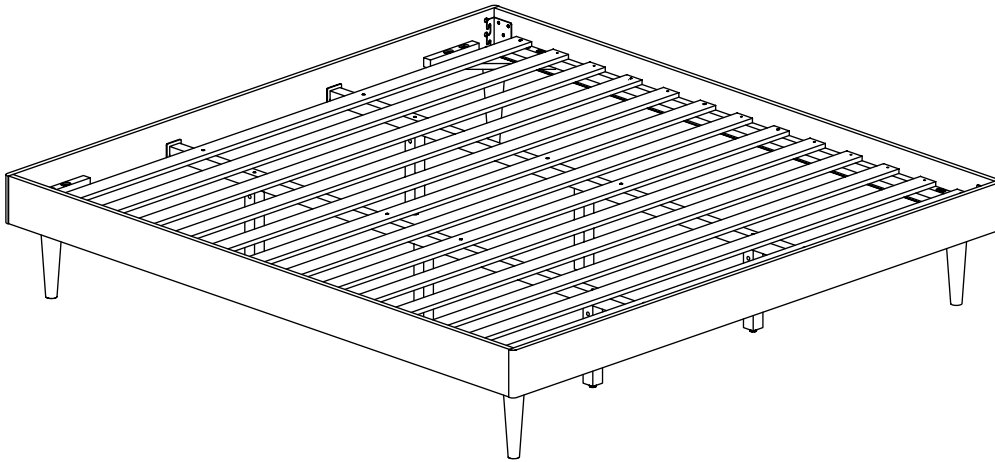


# King Bed

## Assembly Instructions

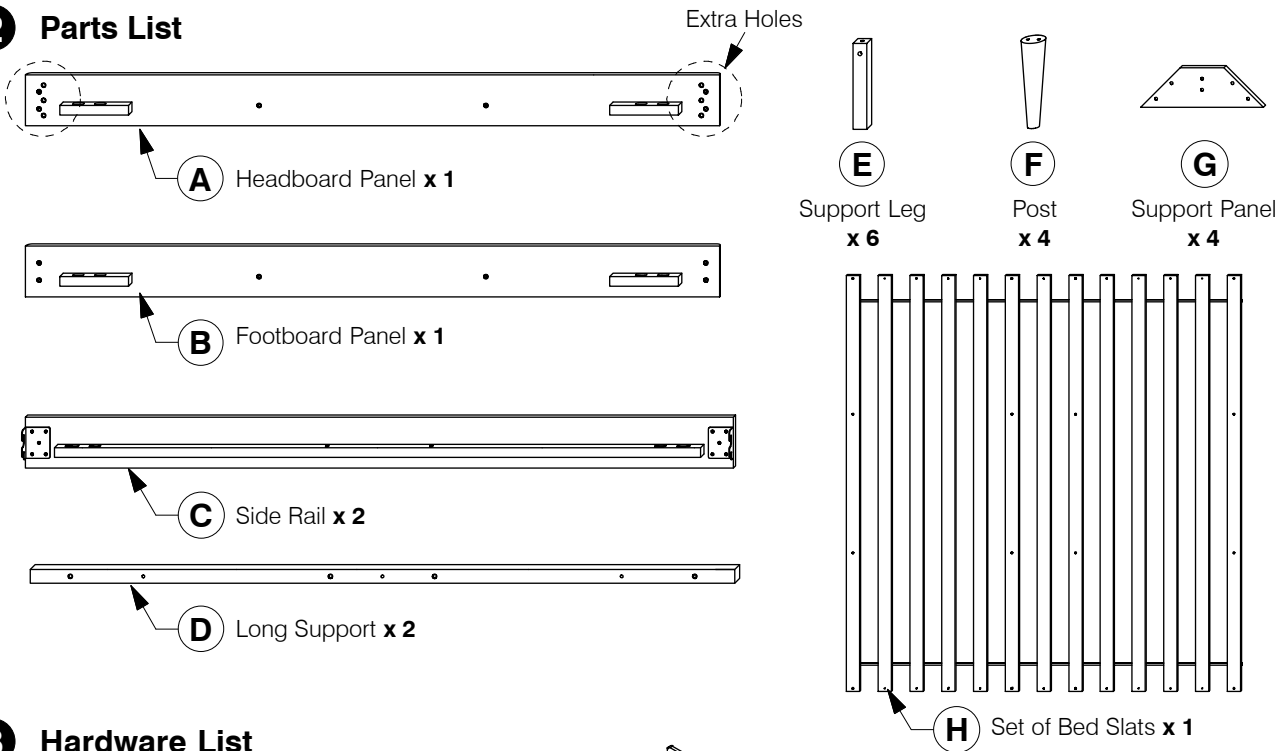
WII-0419

### 1 Assembled View

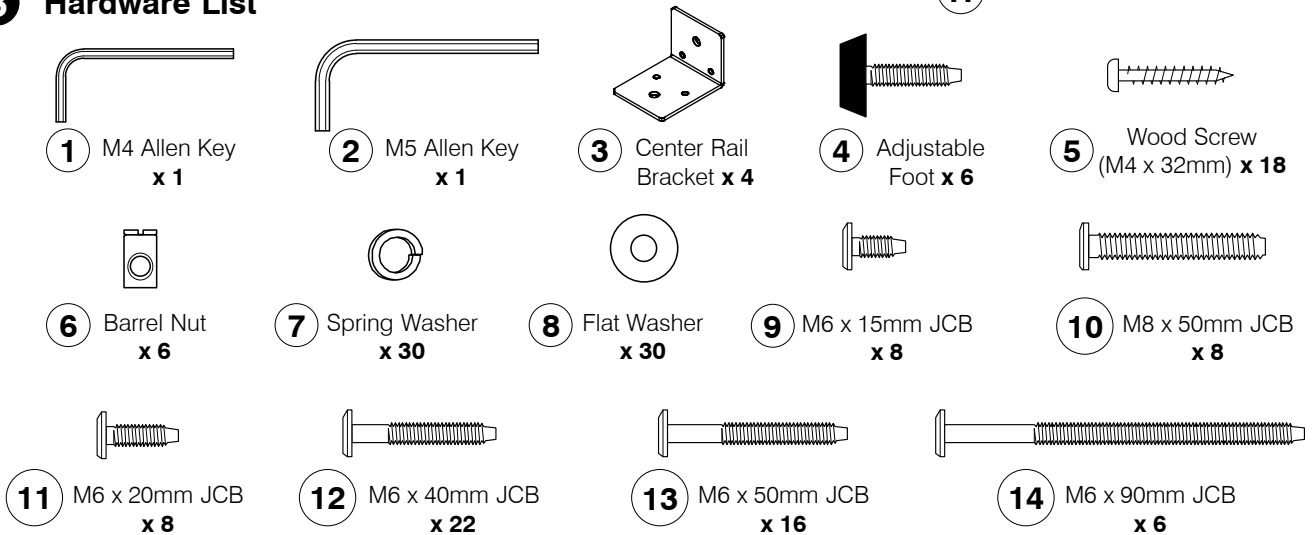


**Note:** Do not assemble using power tools. This can cause the bolts to be overtightened

### 2 Parts List



### 3 Hardware List

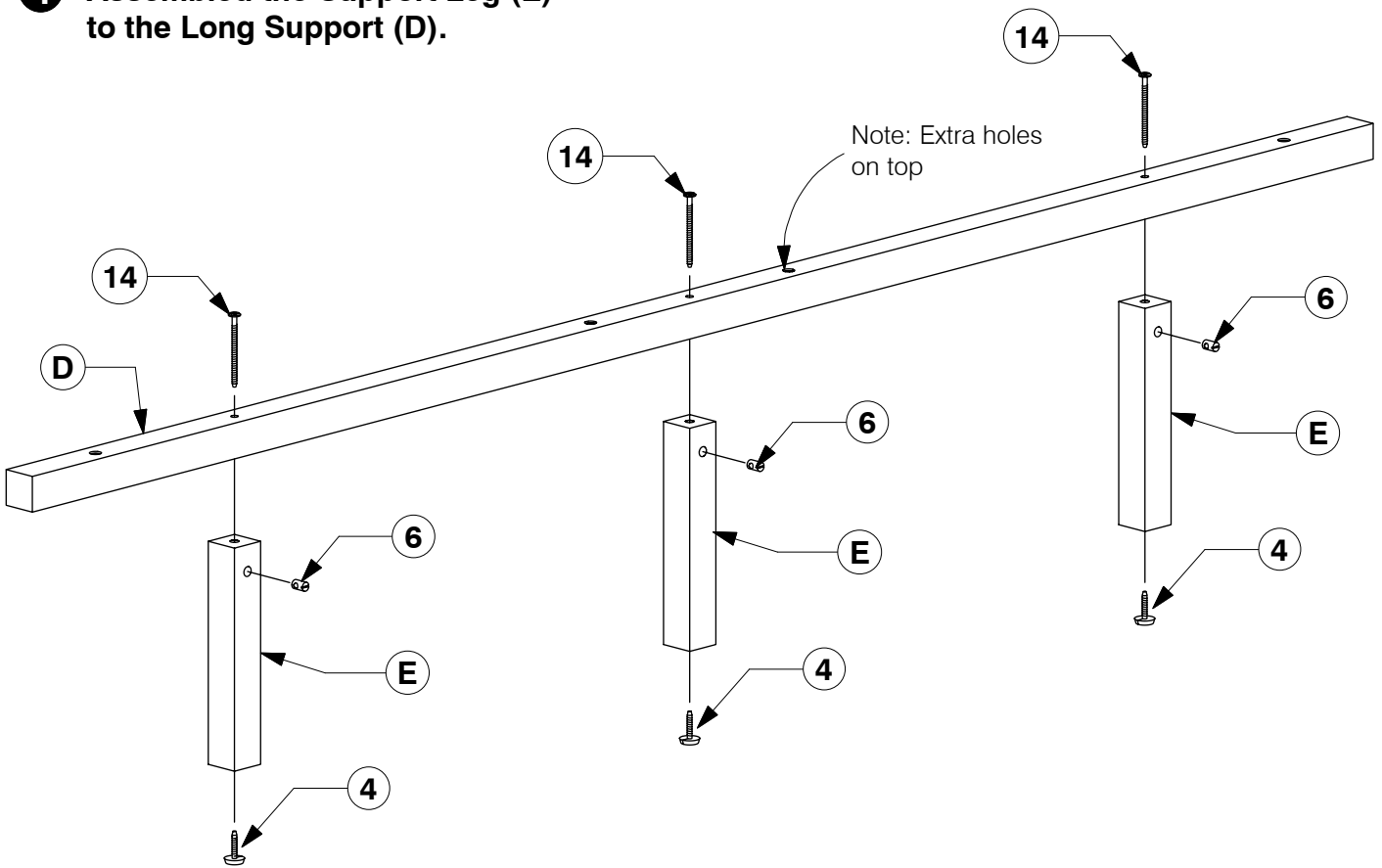


# King Bed

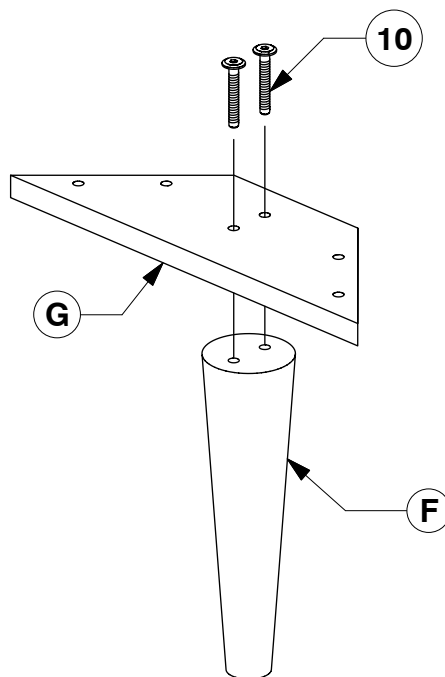
Assembly Instructions

W11-0419

## 4 Assembled the Support Leg (E) to the Long Support (D).



## 5 Fit the Post (F) to the Support Panel (G).

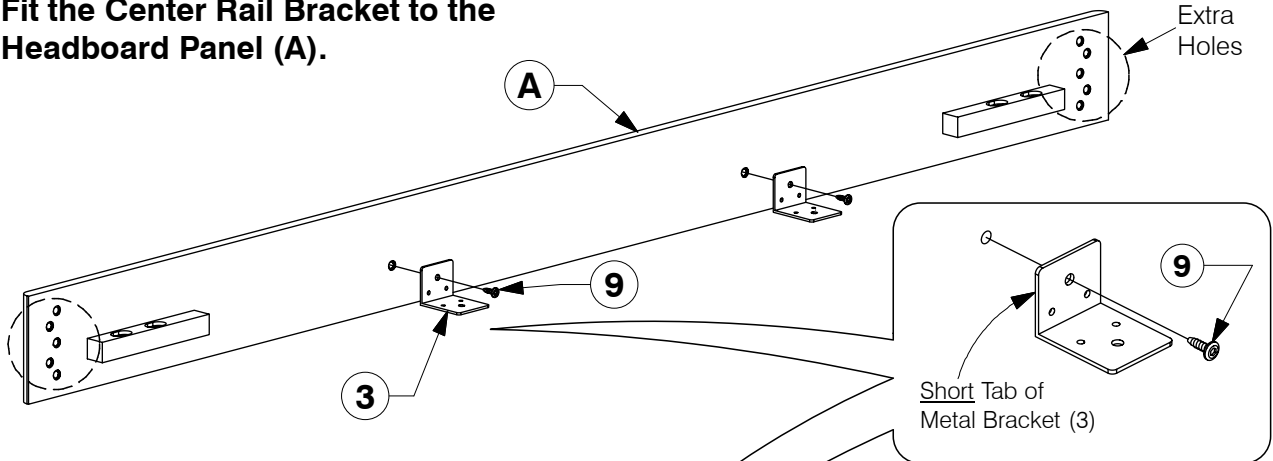


# King Bed

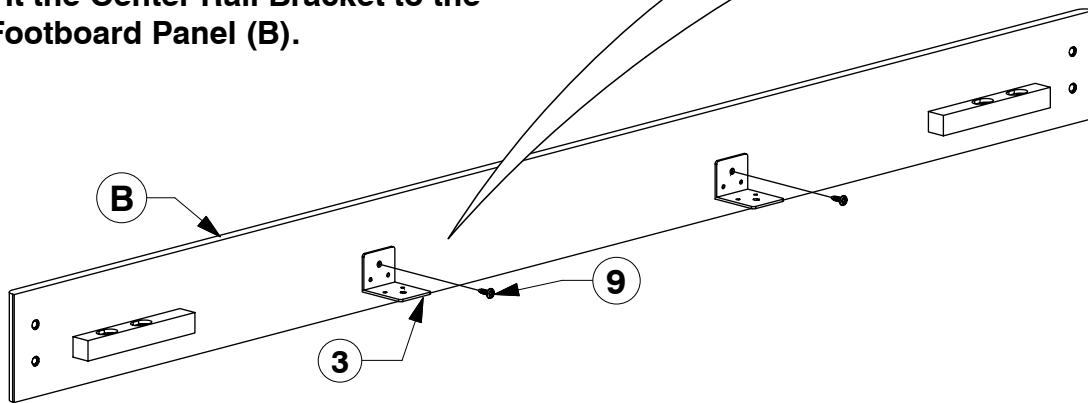
Assembly Instructions

W11-0419

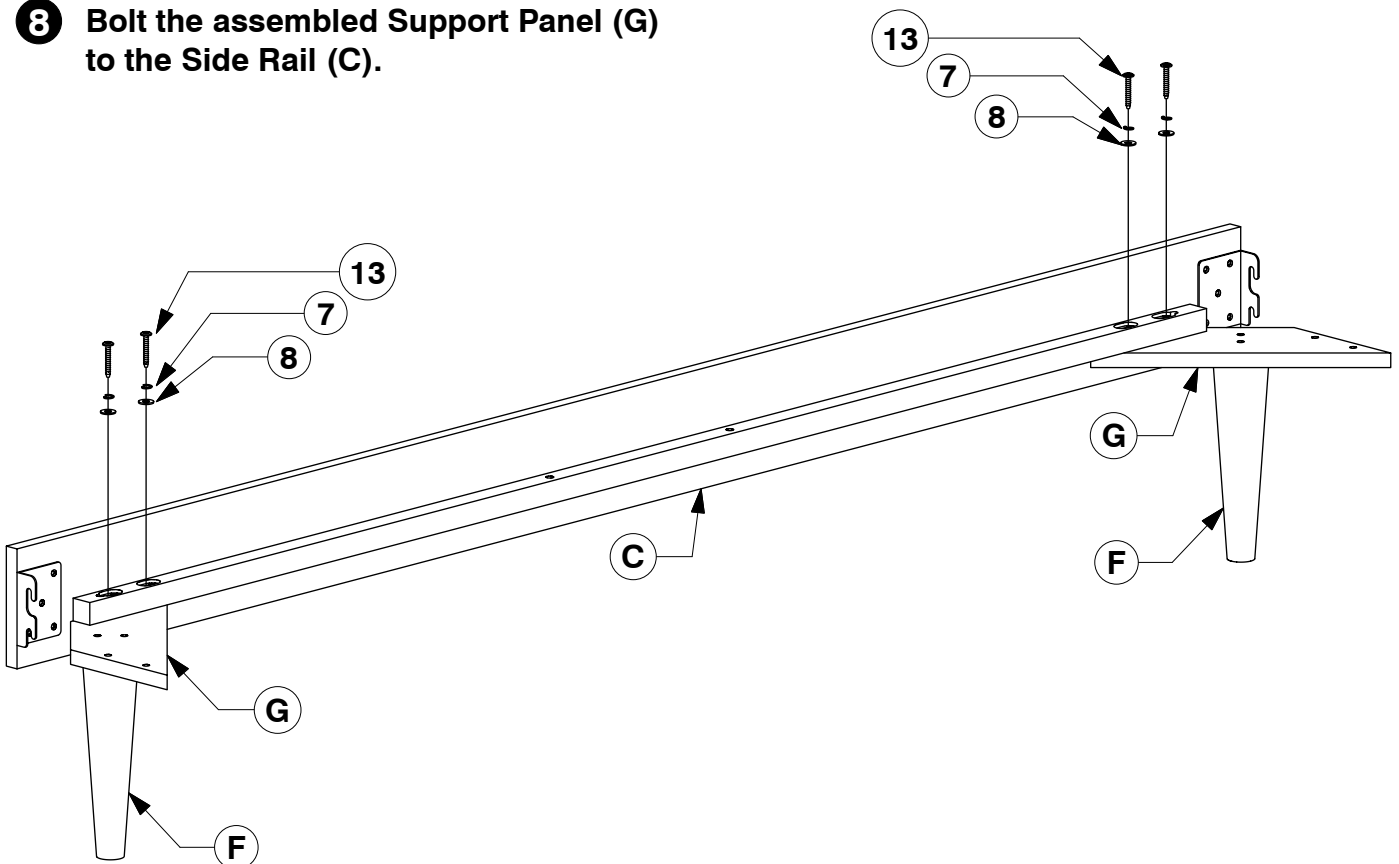
- 6** Fit the Center Rail Bracket to the Headboard Panel (A).



- 7** Fit the Center Rail Bracket to the Footboard Panel (B).



- 8** Bolt the assembled Support Panel (G) to the Side Rail (C).

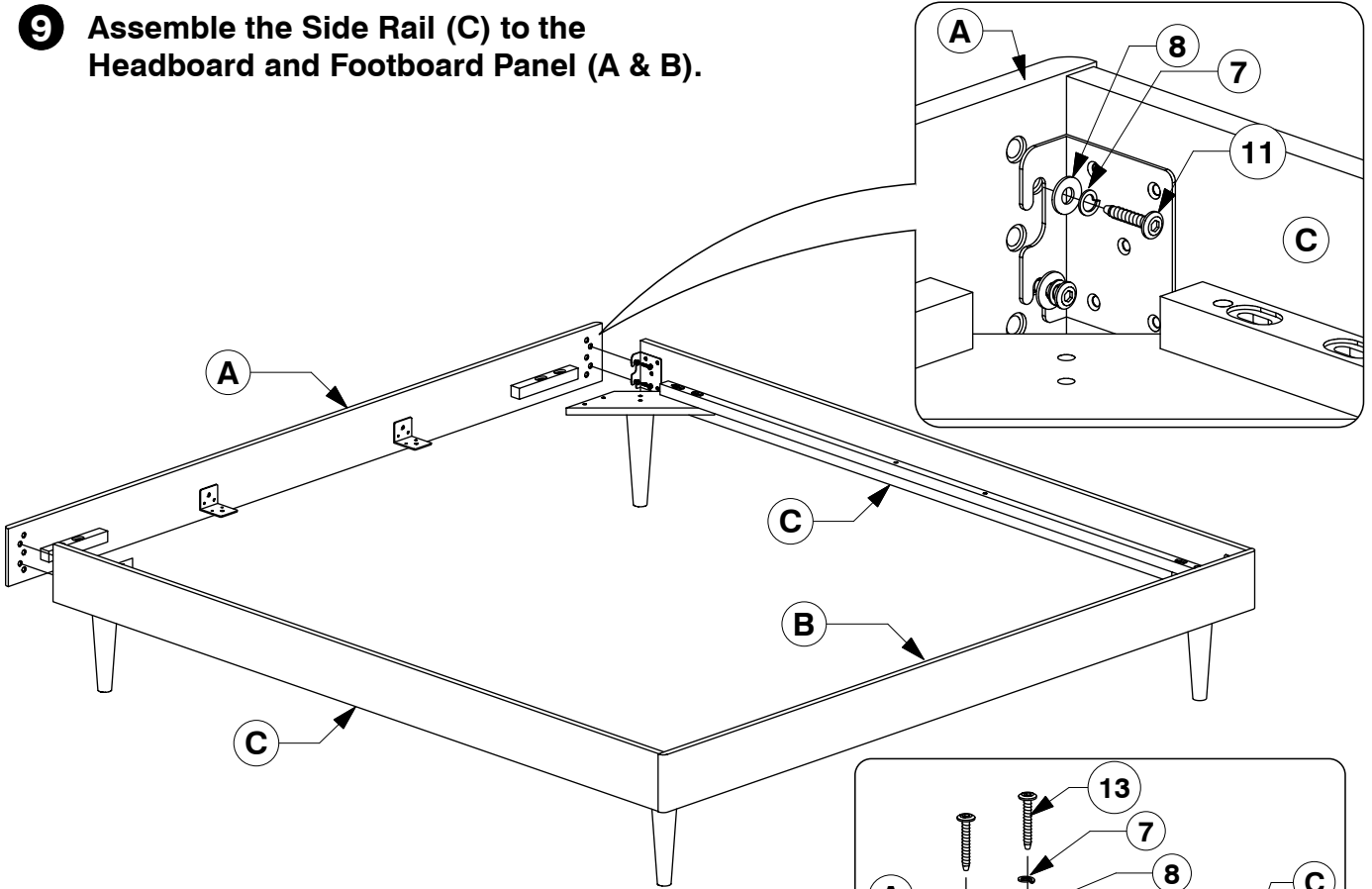


# King Bed

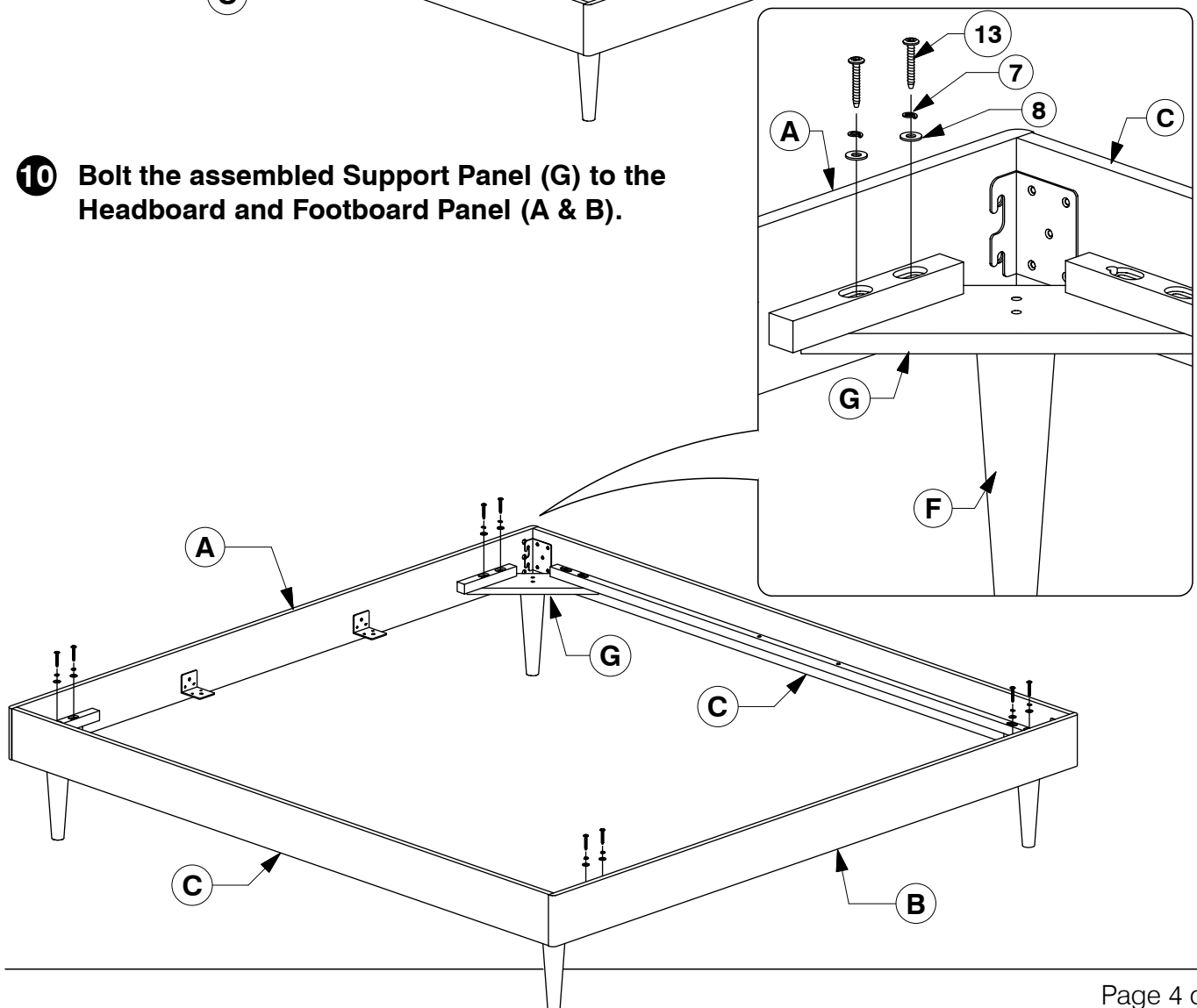
Assembly Instructions

W11-0419

- 9** Assemble the Side Rail (C) to the Headboard and Footboard Panel (A & B).



- 10** Bolt the assembled Support Panel (G) to the Headboard and Footboard Panel (A & B).

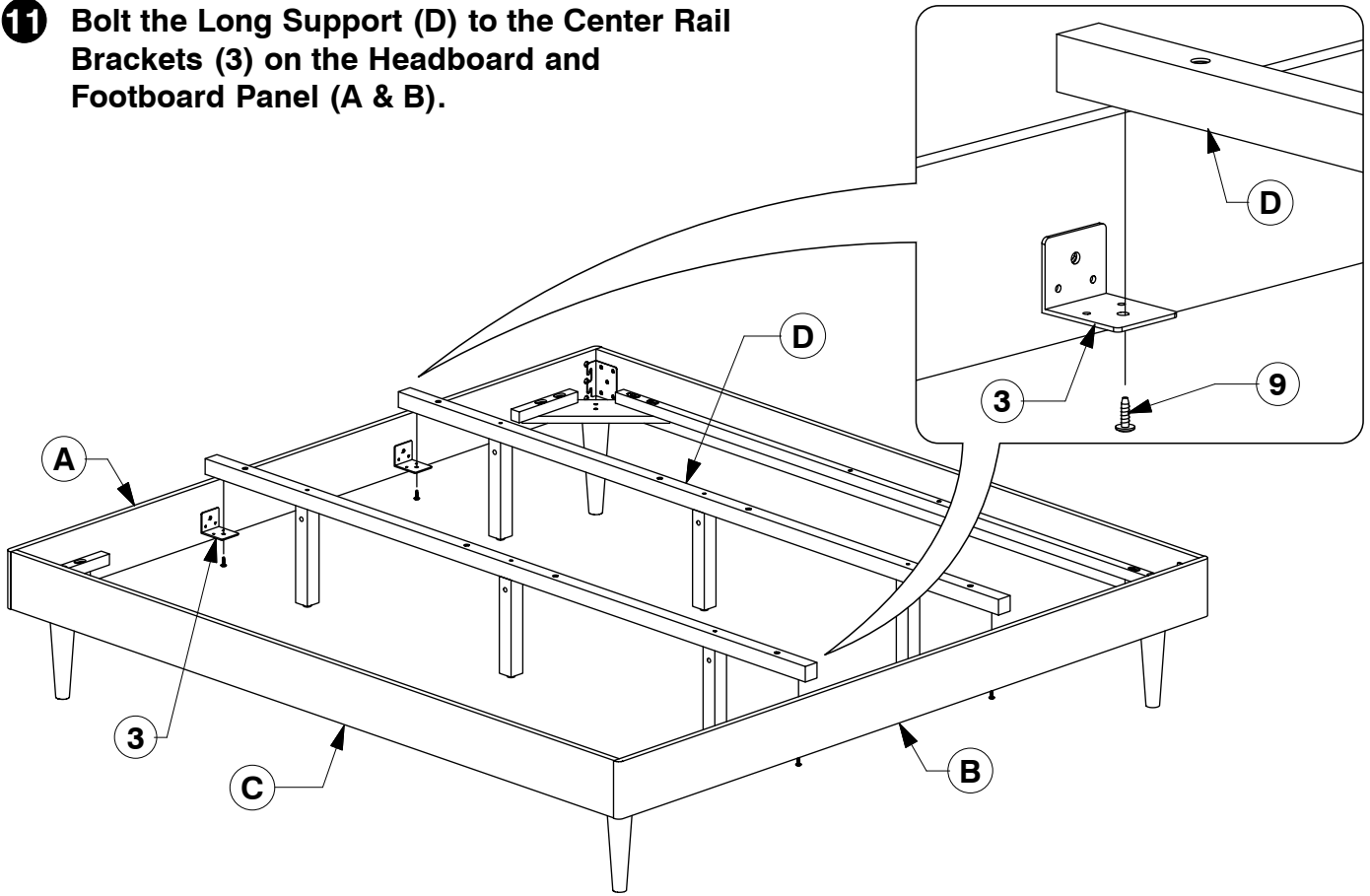


# King Bed

## Assembly Instructions

WII-0419

- 11** Bolt the Long Support (D) to the Center Rail Brackets (3) on the Headboard and Footboard Panel (A & B).



- 12** Bolt & screw the Bed Slats (H) to the Side Rail (C).

