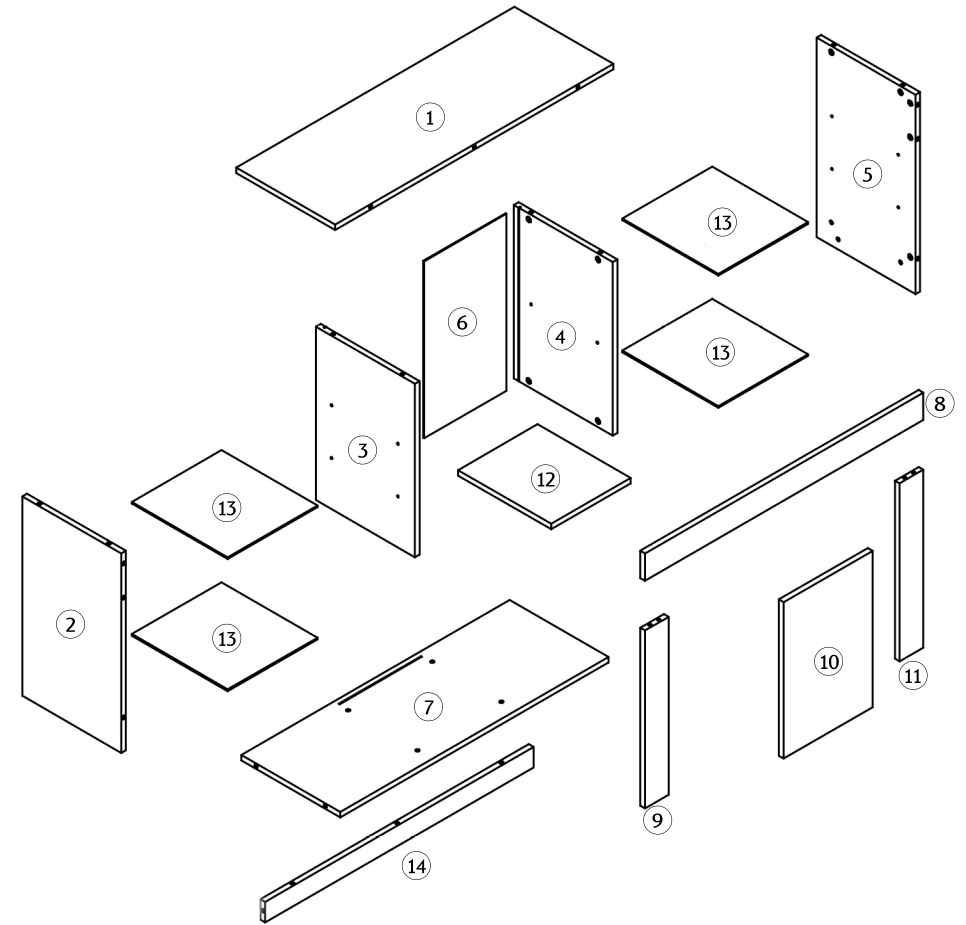
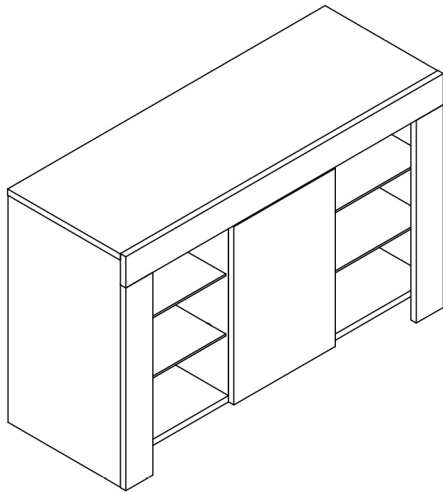









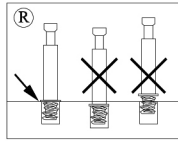
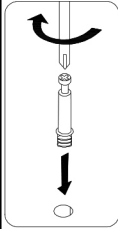
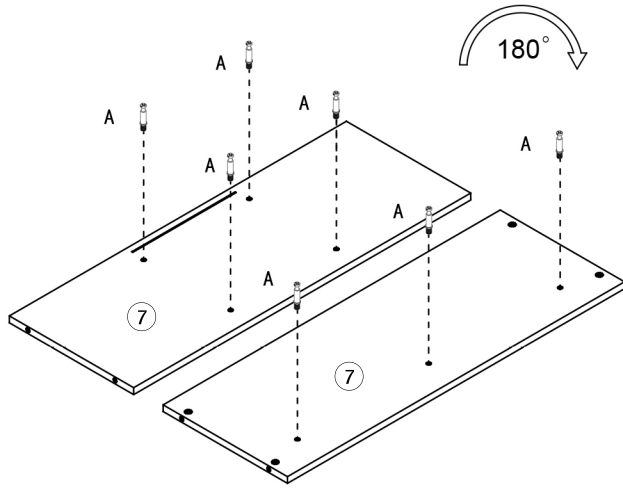
ASSEMBLY INSTRUCTION

- Please follow the instructions to assemble the items correctly.
- Please ensure the safety of the glass when assembling.
- Do not make the screws too loose or too tight.
- As shown in the figure, Insert the screw into the hole.
The arrow in the picture, Then rotate 90° or 180° clockwise.
- The accessory bag contains some small accessories, which should be kept away from children.
- Ensure that the product enjoys a 90-day product warranty.
If you have any questions, Help or support, please contact product customer service. We will further send you effective information and related solutions.
- The remaining parts are spare parts.



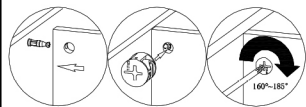
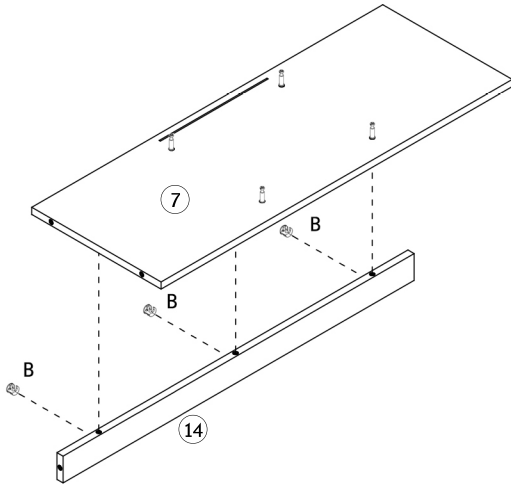
						
A*30	B*30	C*12	D*4	E*2	F*20	G*4

STEP 1



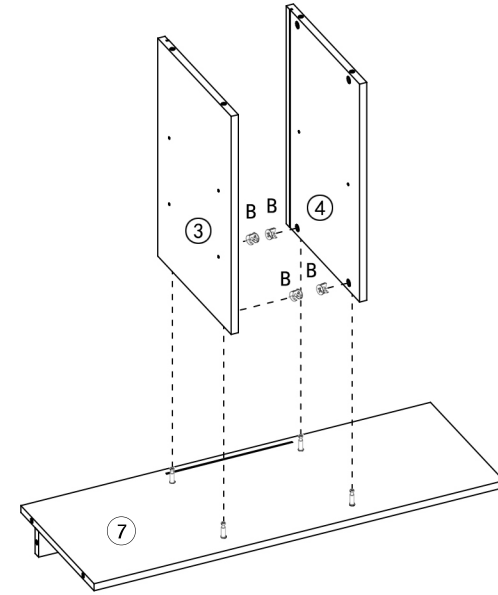
 A*7


STEP 2



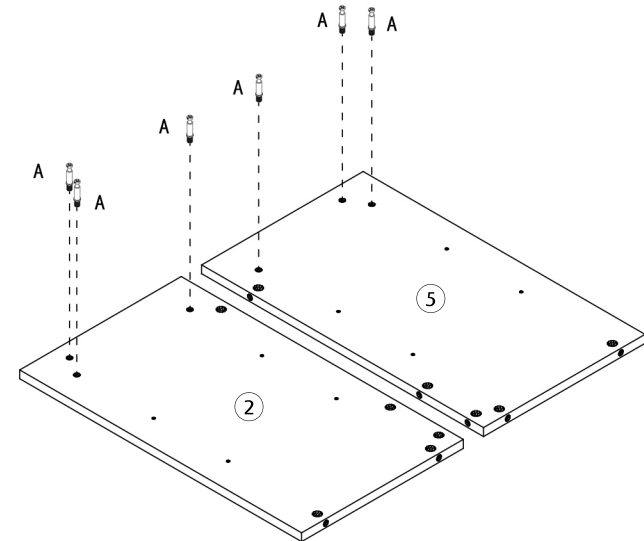
 B*3

STEP 3



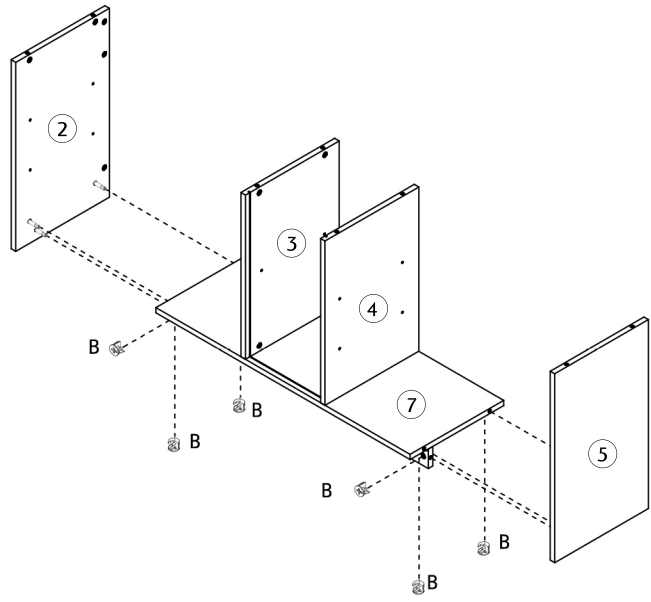
 B*4

STEP 4



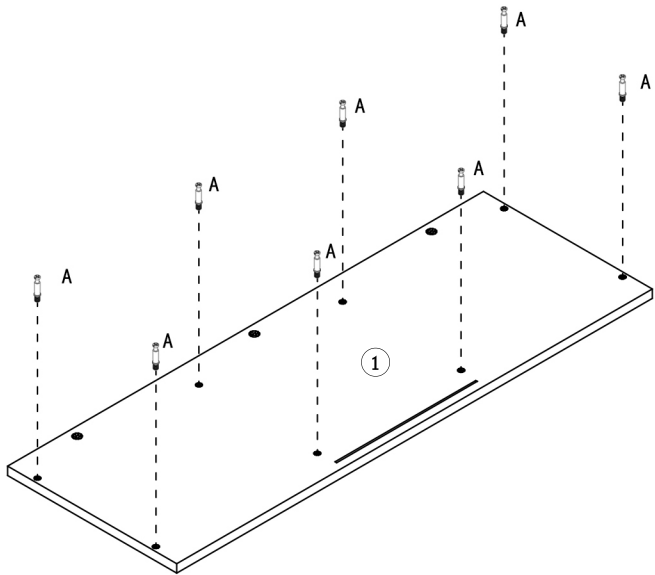
 A*6

STEP 5



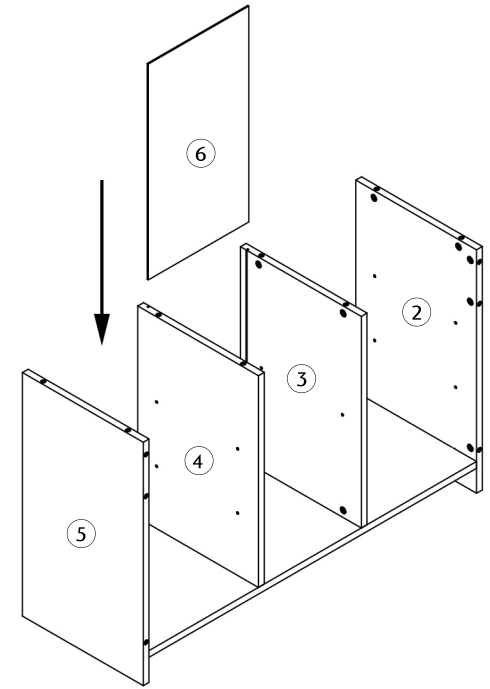
 B*6

STEP 6

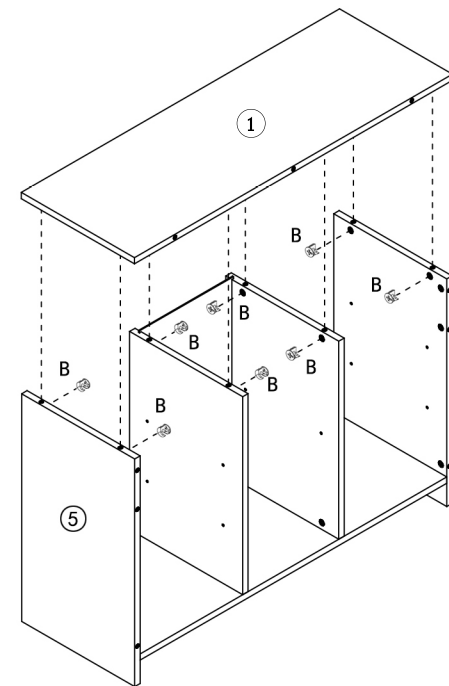



 A*8

STEP 7

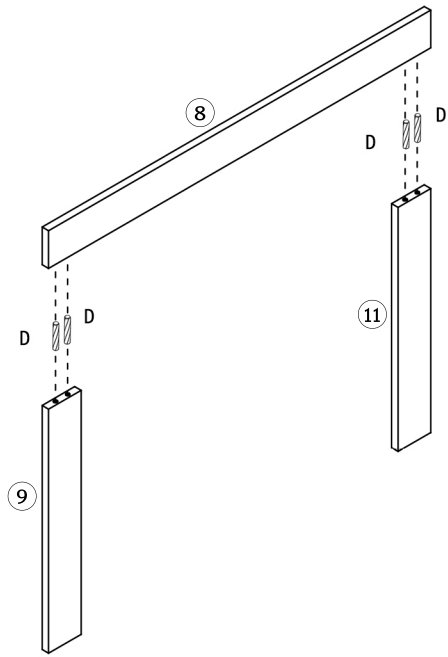


STEP 8

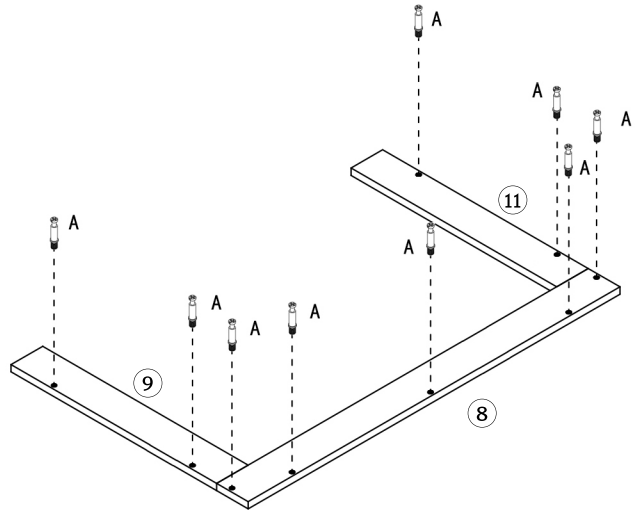


 B*8

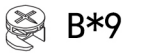
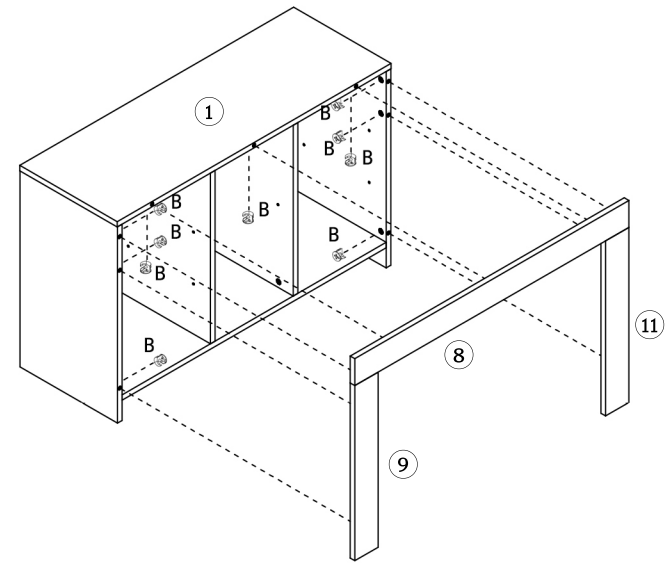
STEP 9



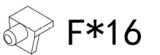
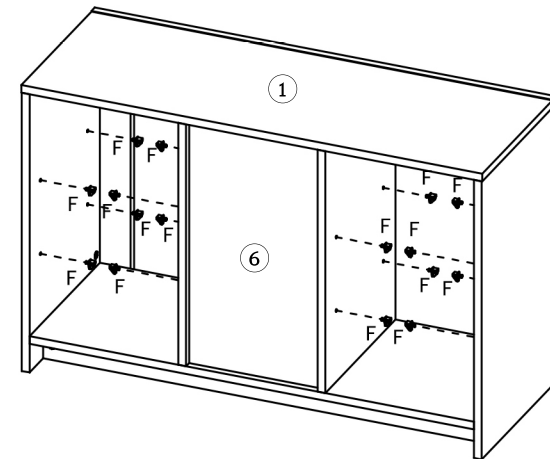
STEP 10



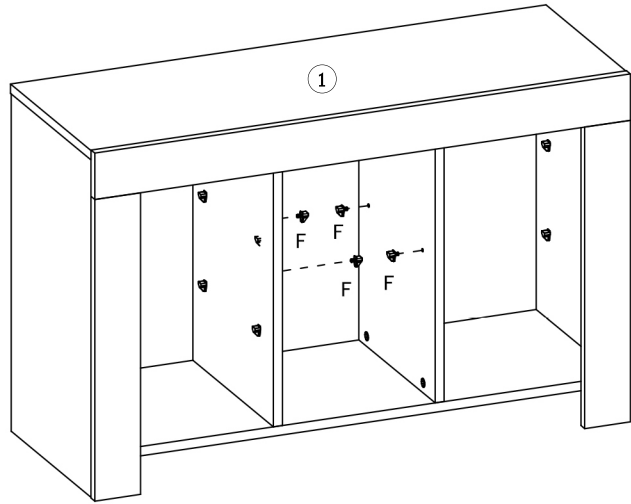
STEP 11



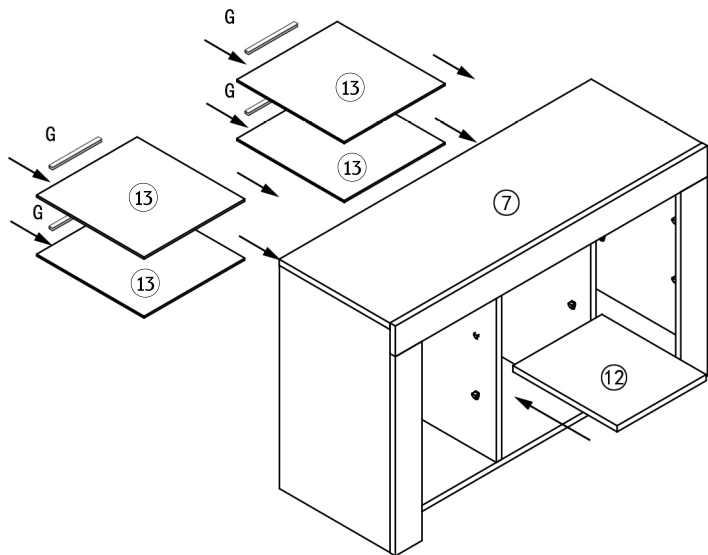
STEP 12



STEP 13



STEP 14



STEP 15

