

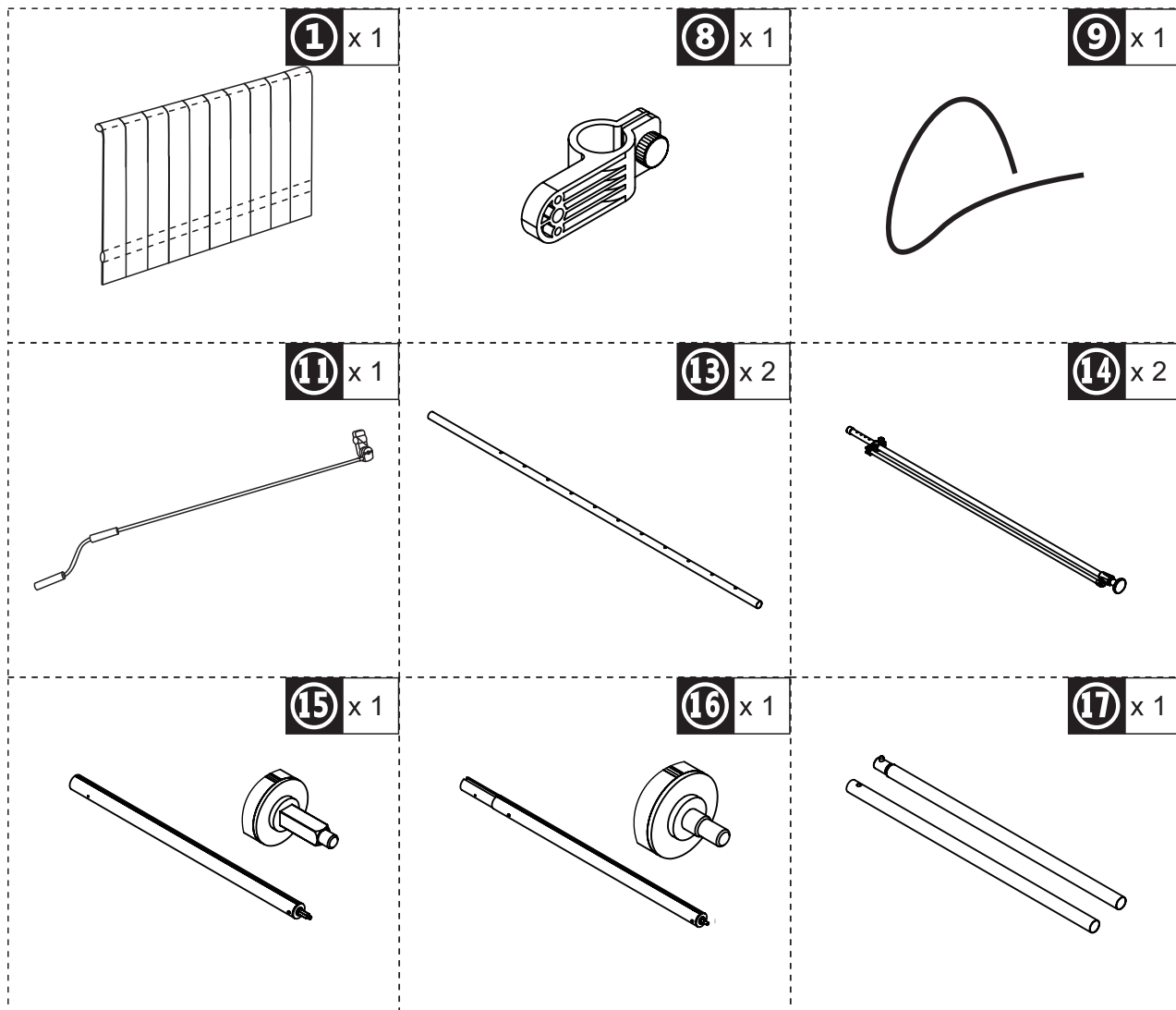
Assembly video please scan the QR code .



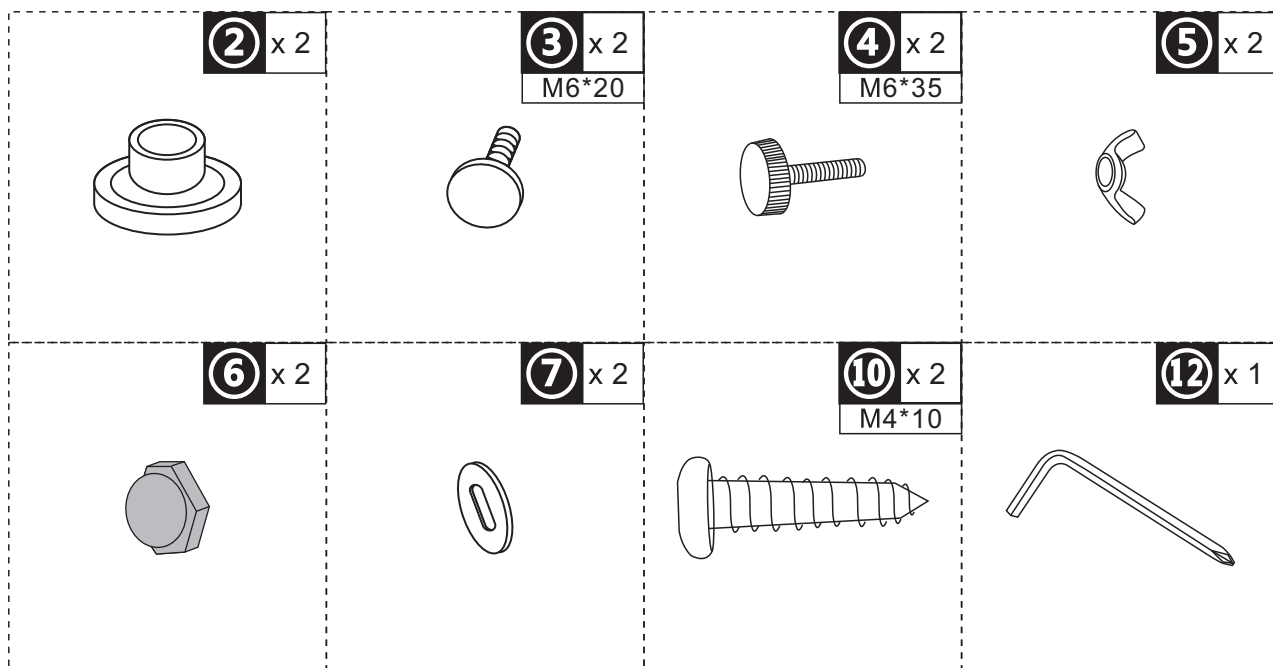
IMPORTANT, RETAIN FOR FUTURE REFERENCE: READ CAREFULLY

ASSEMBLY & INSTRUCTION MANUAL

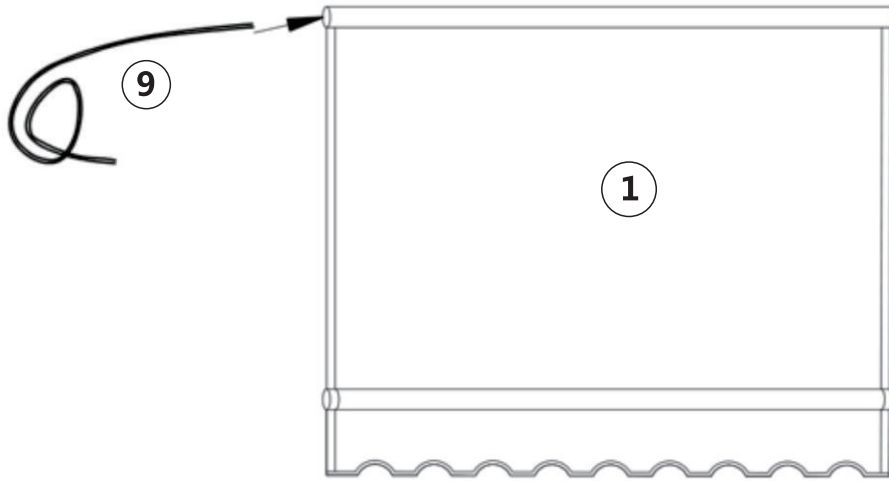
PARTS



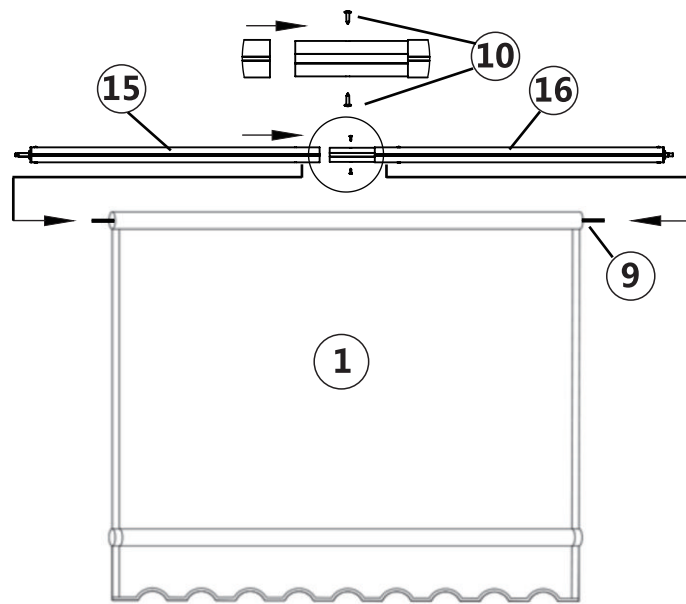
HARDWARE



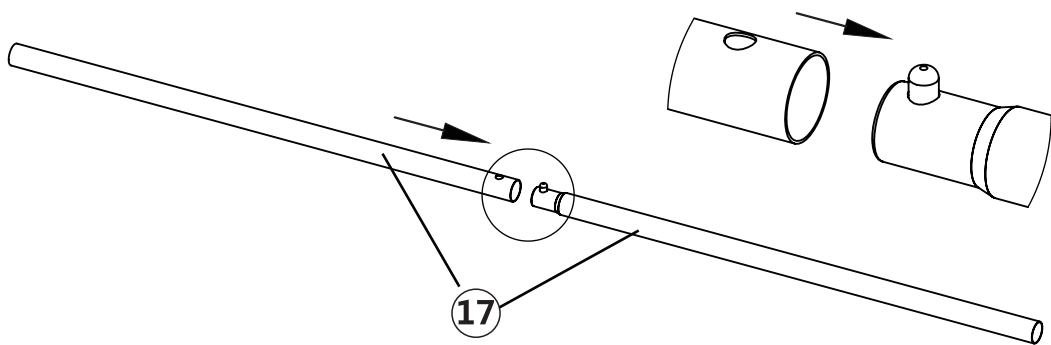
01



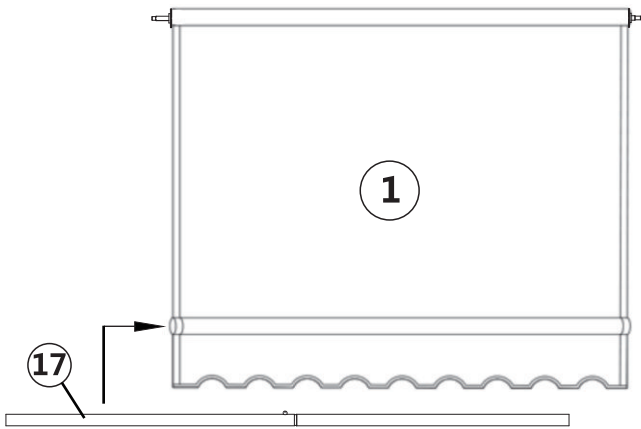
02



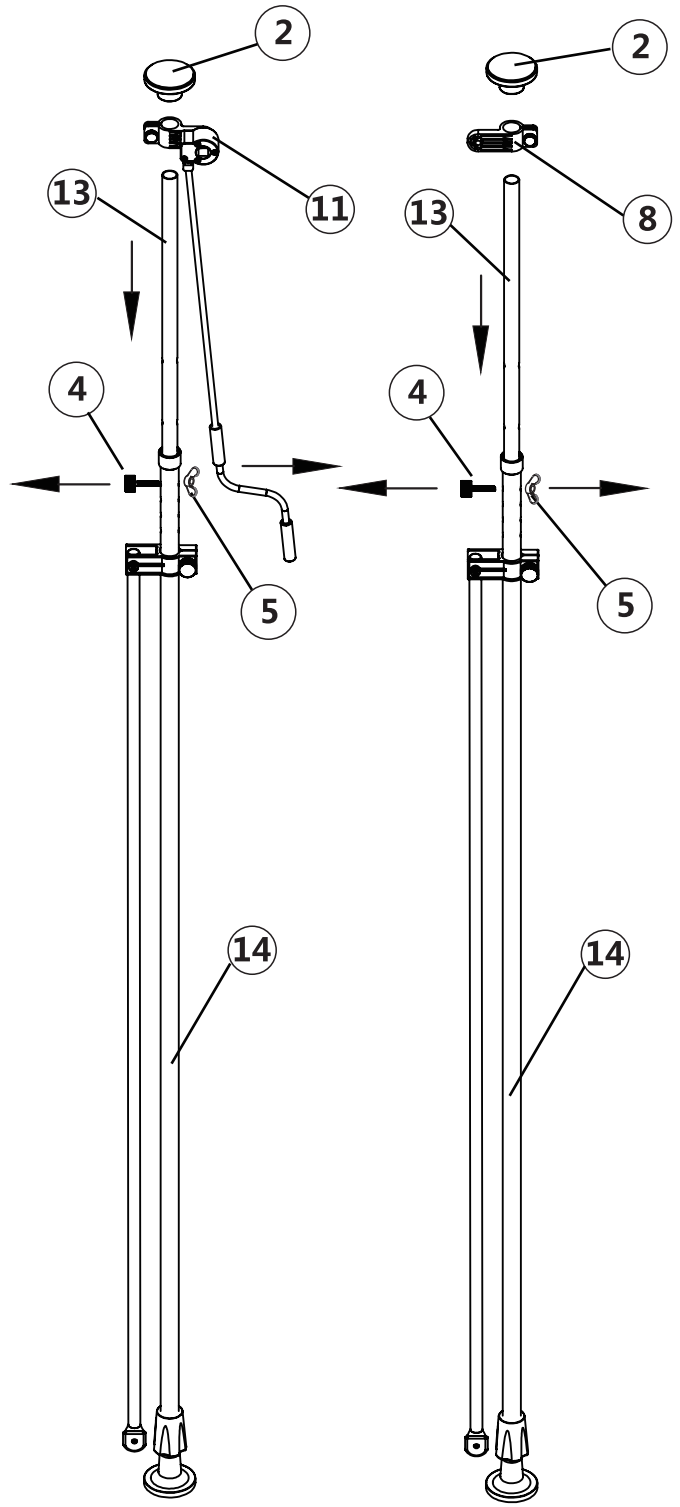
03



04



06



05

