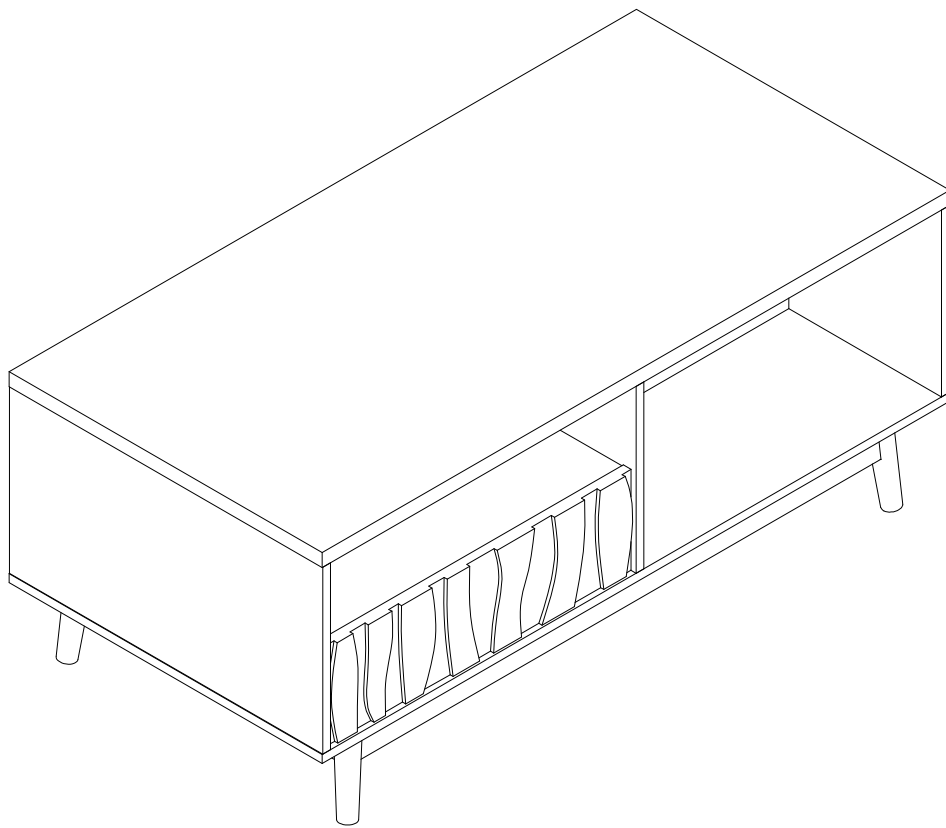
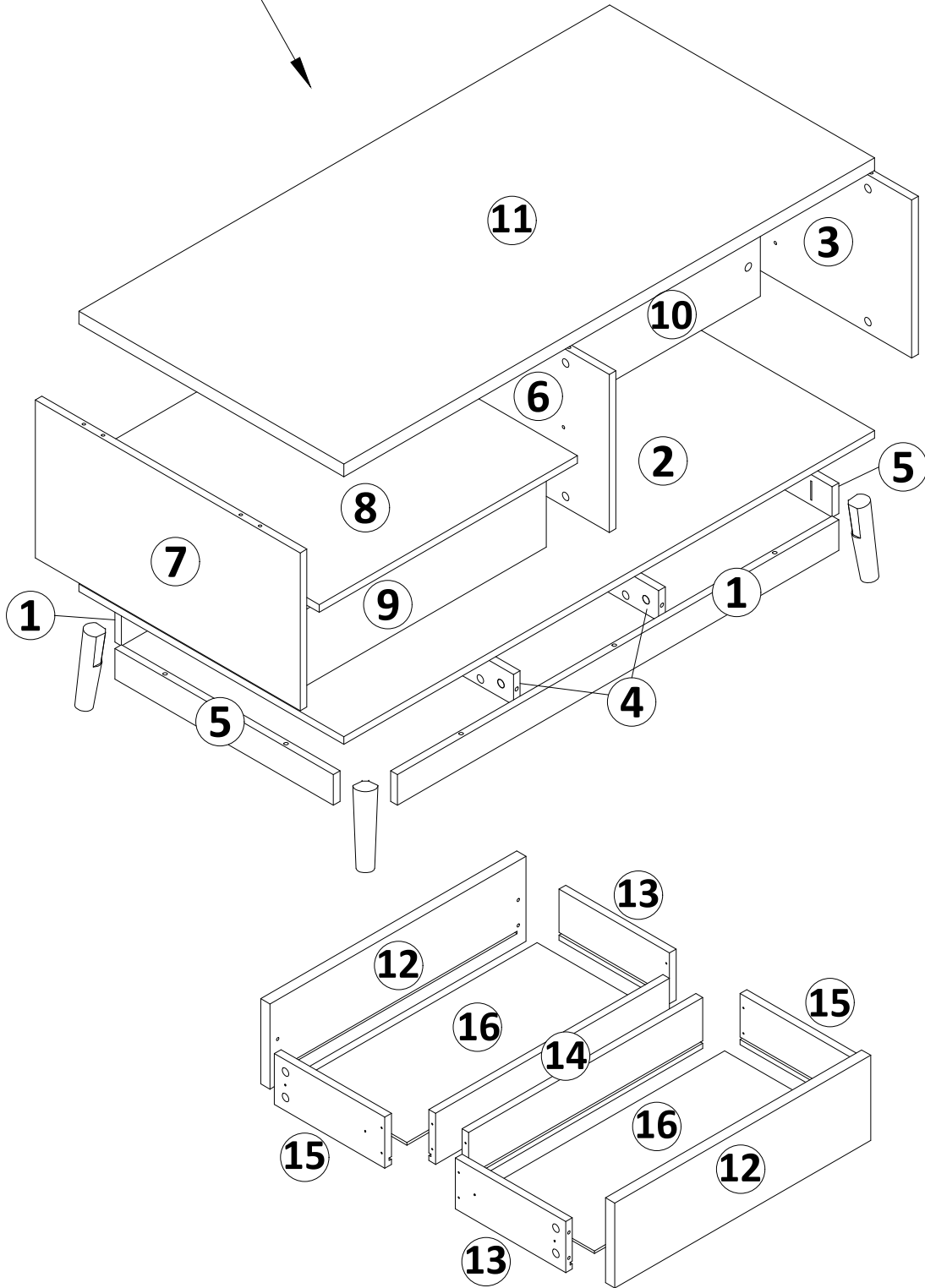


Installation & Assembly

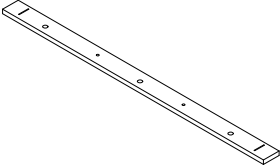
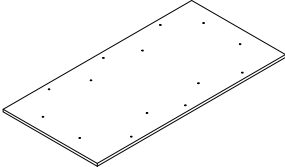
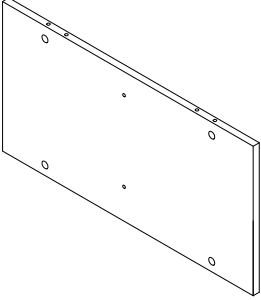
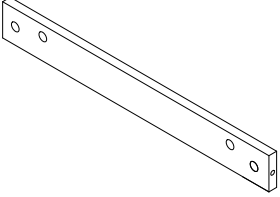
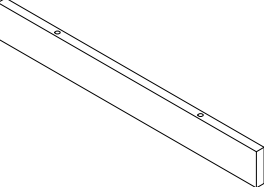
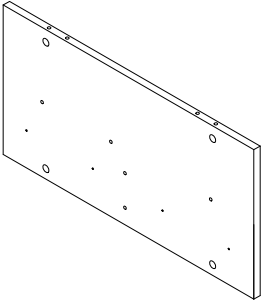
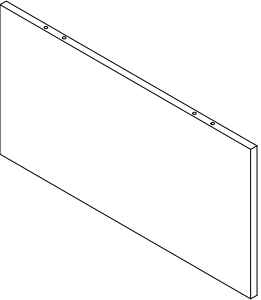
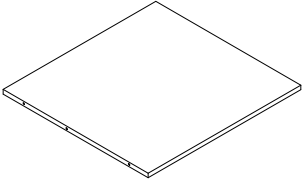
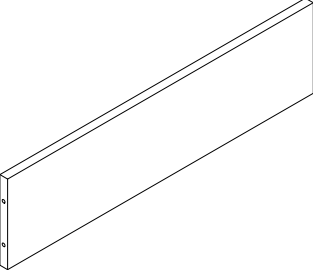
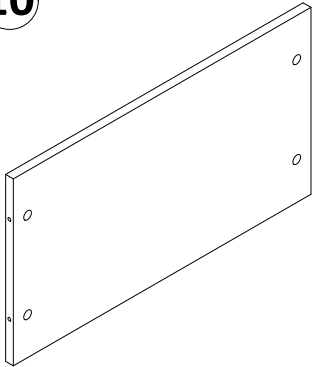
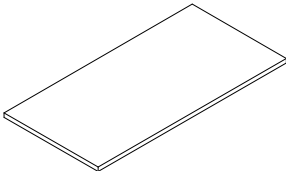
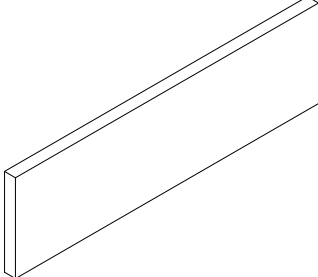
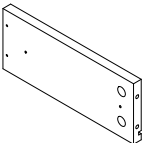
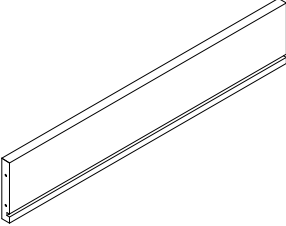
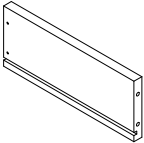
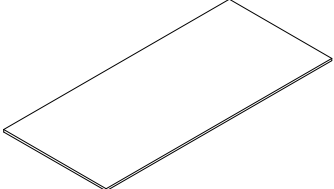
Coffee Table



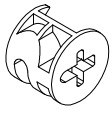
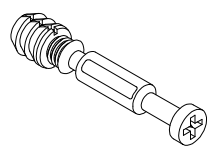
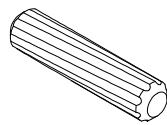
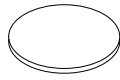
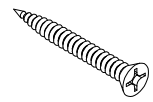
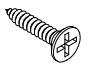
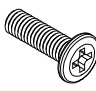

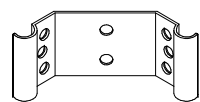
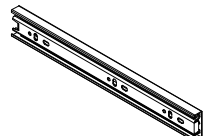
Each wooden board has a number sticker. Match them one-by-one according to the steps in the assembly manual.

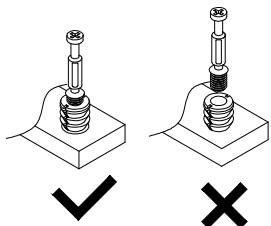
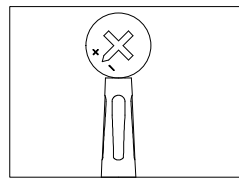
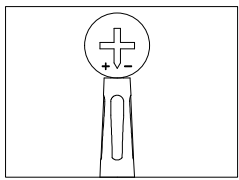


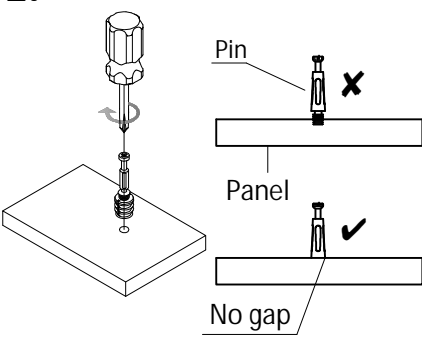
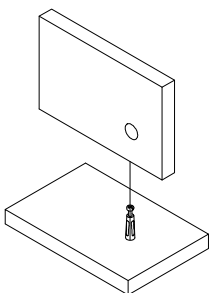
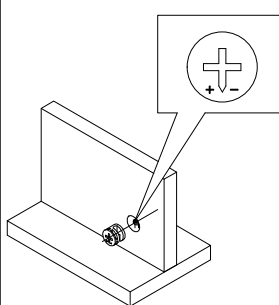
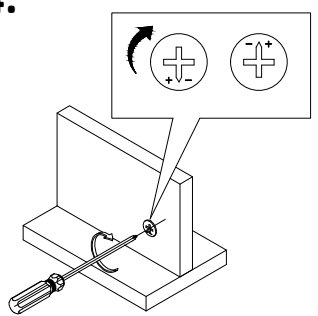
PARTS LIST

<p>1</p> 	<p>2</p> 	<p>3</p> 	<p>4</p> 
<p>2PCS</p>	<p>1PC</p>	<p>1PC</p>	<p>2PCS</p>
<p>5</p> 	<p>6</p> 	<p>7</p> 	<p>8</p> 
<p>2PCS</p>	<p>1PC</p>	<p>1PC</p>	<p>1PC</p>
<p>9</p> 	<p>10</p> 	<p>11</p> 	<p>12</p> 
<p>1PC</p>	<p>1PC</p>	<p>1PC</p>	<p>2PCS</p>
<p>13</p> 	<p>14</p> 	<p>15</p> 	<p>16</p> 
<p>2PCS</p>	<p>2PCS</p>	<p>2PCS</p>	<p>2PCS</p>

HARDWARE LIST

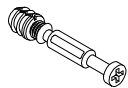
A	B	C	D	E
				
$\varnothing 15 * 10 \text{MM}$ 52PCS	$\varnothing 6 * 35 \text{MM}$ 52PCS	$\varnothing 7 * 38 \text{MM}$ 12PCS	$\varnothing 20 \text{MM}$ 12PCS	$\varnothing 3.5 * 30 \text{MM}$ 8PCS
F	G	H	I	K
				
$\varnothing 3.5 * 14 \text{MM}$ 40PCS	$\varnothing 6 * 25 \text{MM}$ 8PCS	150MM 4PCS	4PCS	10" 4PCS

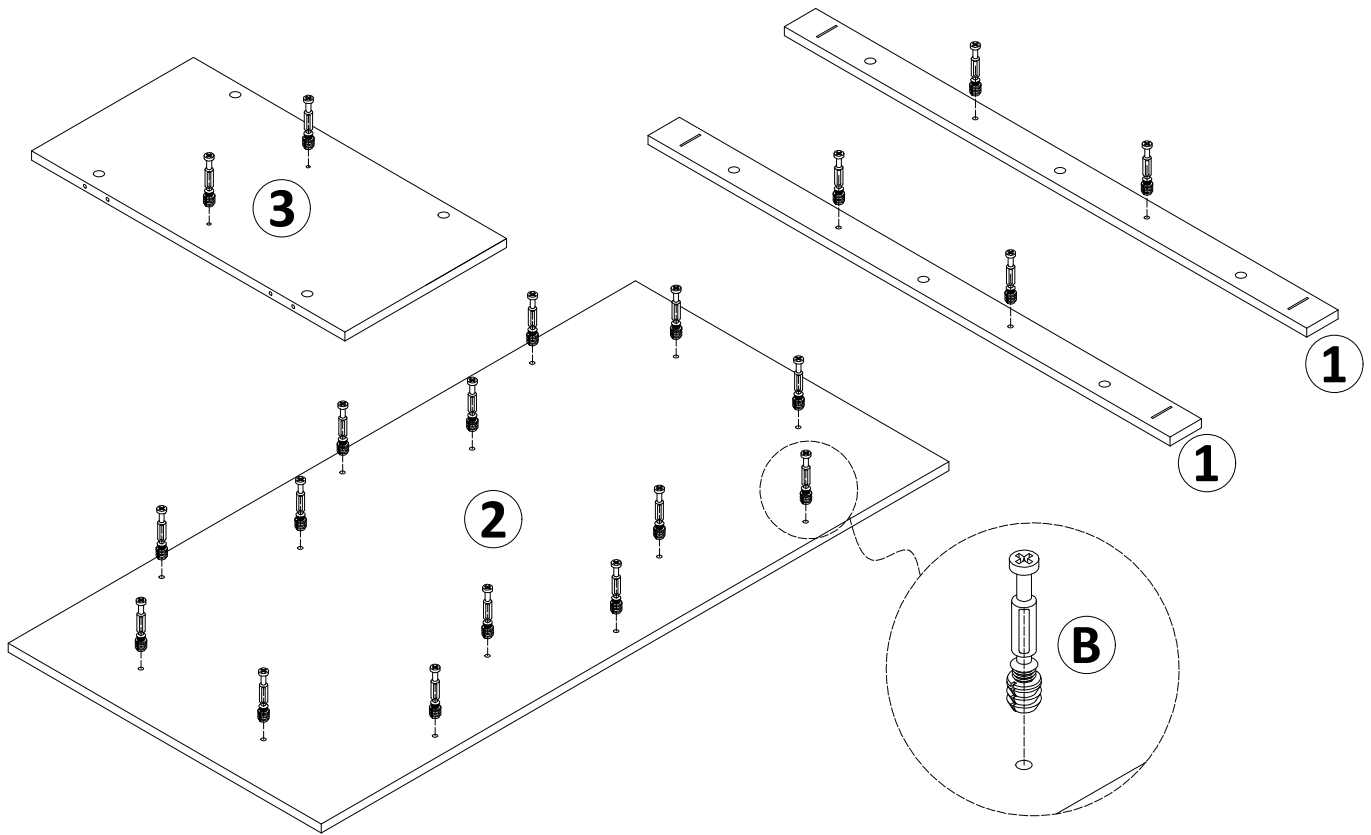
 <p style="text-align: center;">This part cannot be separated, please install in strict accordance with the assembly requirements.</p>	 <p style="text-align: center;">Adjust connecting piece direction until it is properly lined up with the hole.</p>	 <p style="text-align: center;">Insert bolt when connecting piece direction is properly lined up.</p>
---	---	--

1. 	2. 	3. 	4. 
---	--	---	--

Step 1

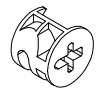
As shown in the diagram, screw #B (connector bolt) into the corresponding holes of the Panels 1 (x2)/2/3.

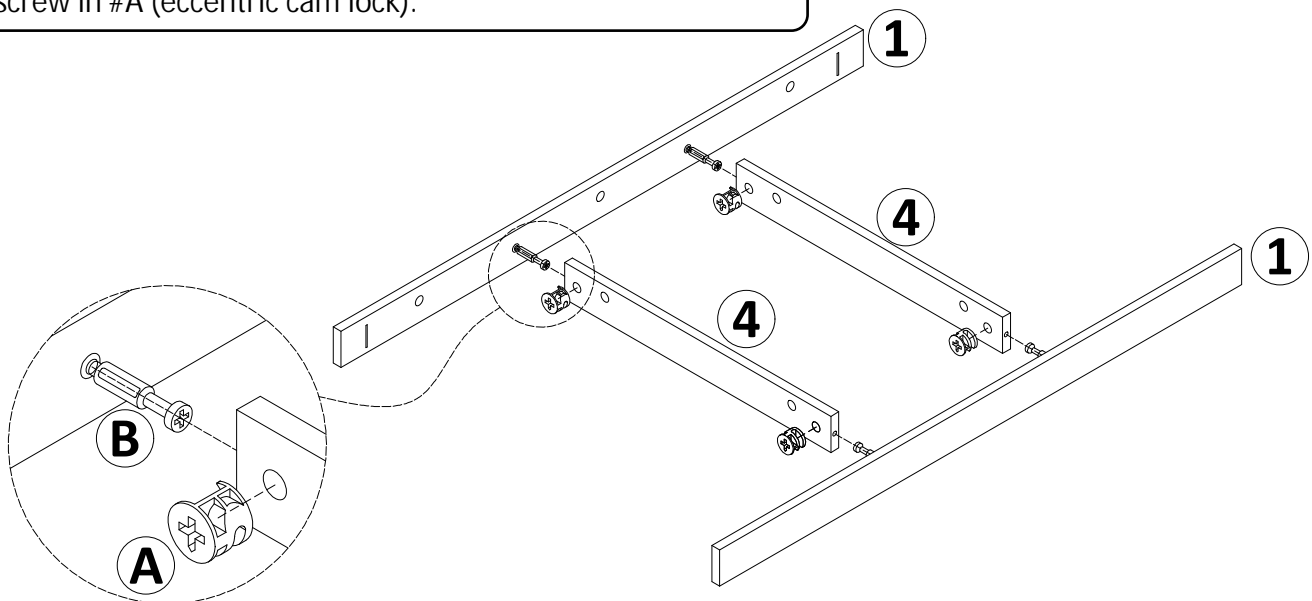
B  **X20**



Step 2

As shown in the figure, install the two Panels 4 with the holes on the long sides facing downwards between the two Panels 1 (with the holes on the long sides facing downwards) and screw in #A (eccentric cam lock).

A  **X4**



Step 3

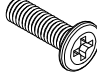
Note: When installing Panels 1, 4, and 5, make sure the side with the holes is facing down.


1. Snap the #I fittings into the grooves on the edges of Panels 1 and 5 to secure the four corners.

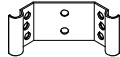
2. Place the #H as shown. Connect #I and #H with two #G, and finally secure the sides of #I with #F.

3. Follow the above steps to install the remaining #H.

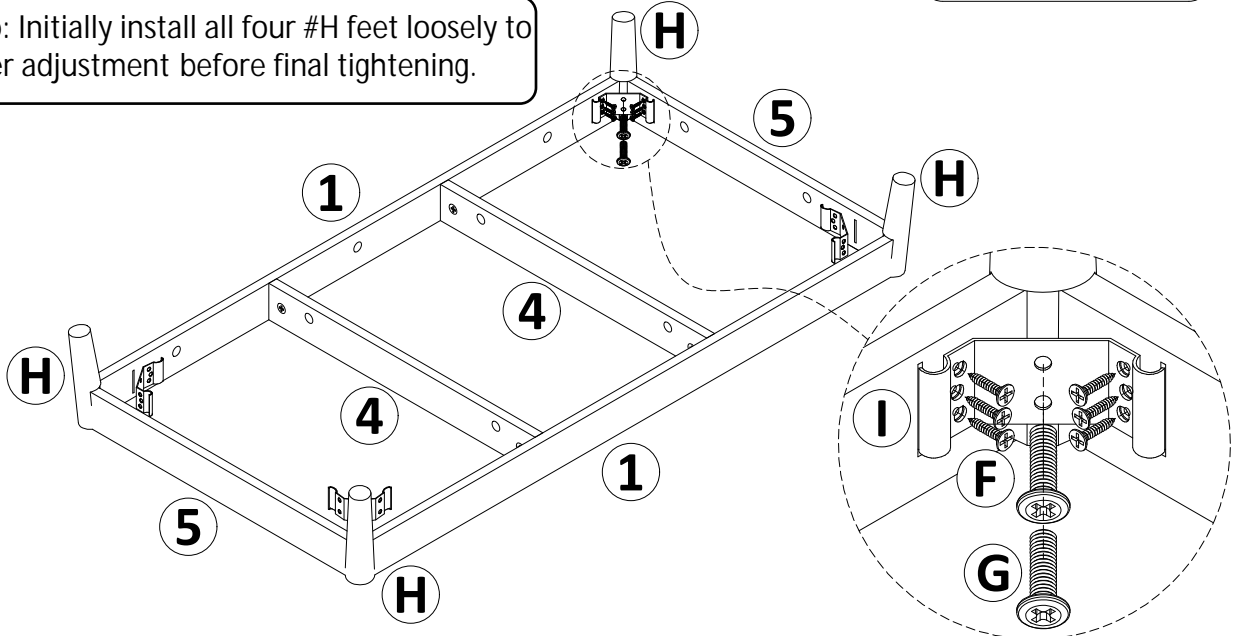
F  **X24**

G  **X8**

H  **X4**

I  **X4**

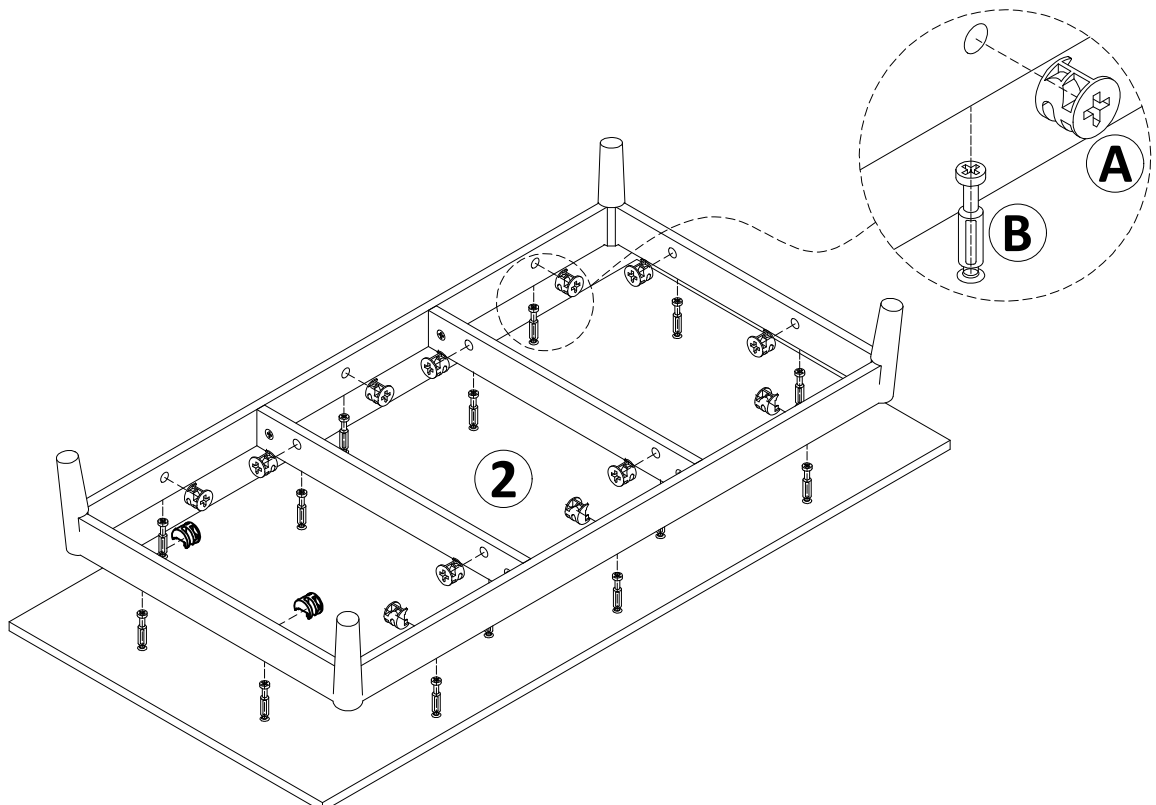
Assembly Tip: Initially install all four #H feet loosely to allow for later adjustment before final tightening.



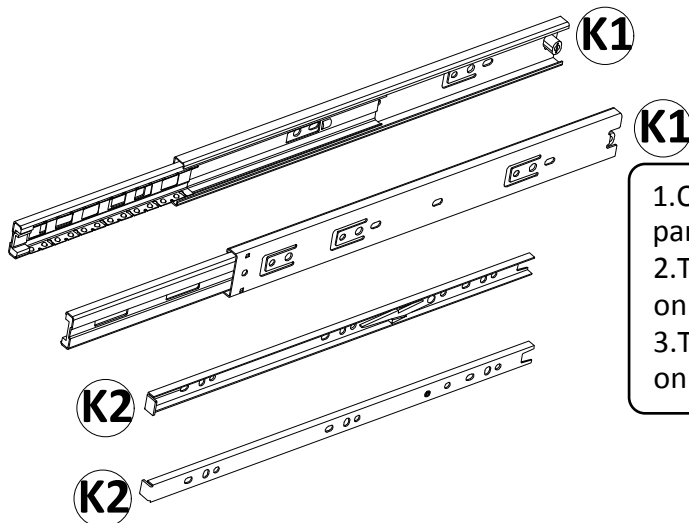
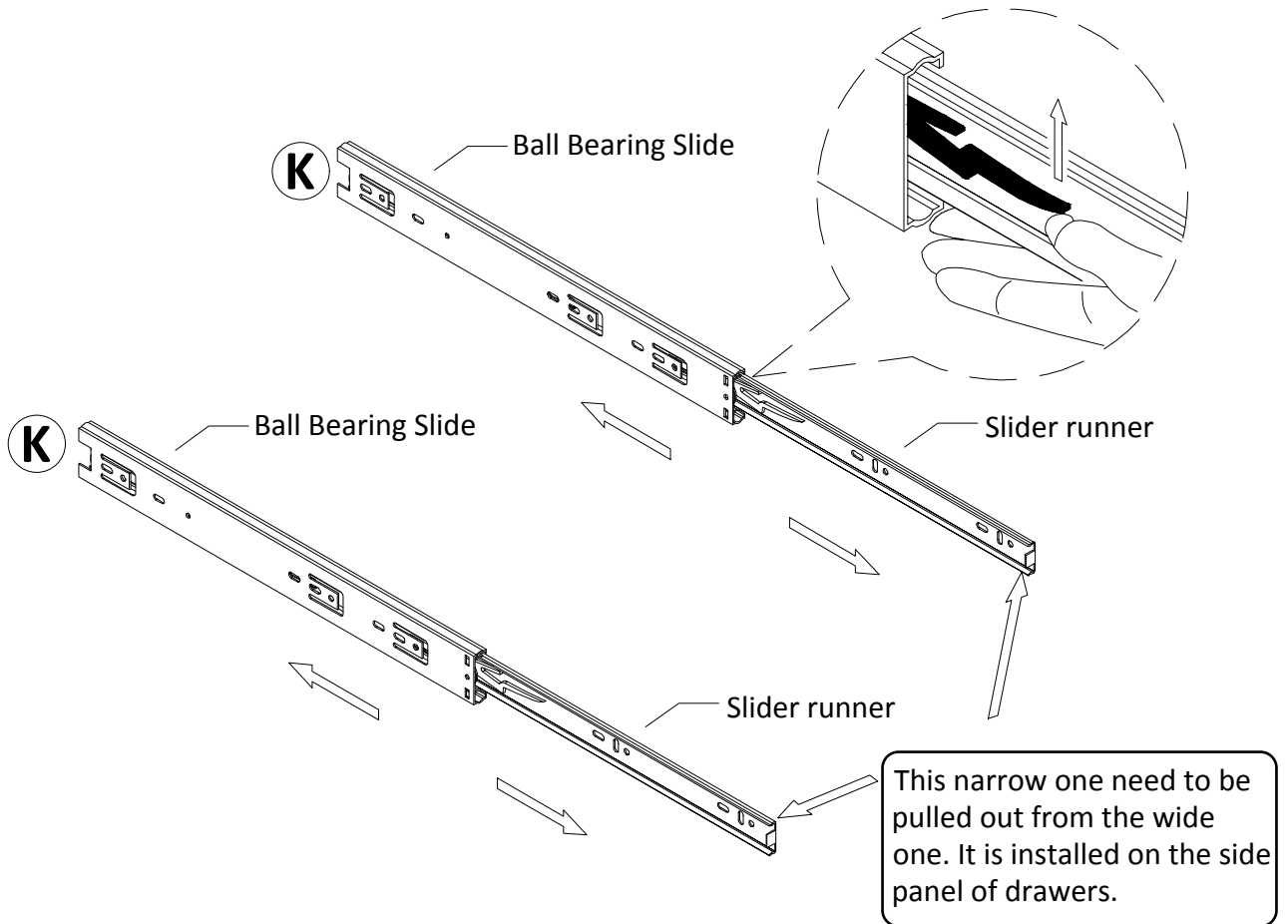
Step 4

Align coffee cabinet base frame with Panel 2, connect and secure with #A (eccentric locks) and tighten.

A  **X14**



Step 5



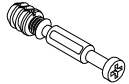
1. One set of guide rail should be four parts.
2. Two wide guide rails are installed on the side panel of the cabinet.
3. Two narrow guide rails are installed on the side panel of drawers.

Attention:
Take care when installing the slide rails as they have been pre-lubricated.

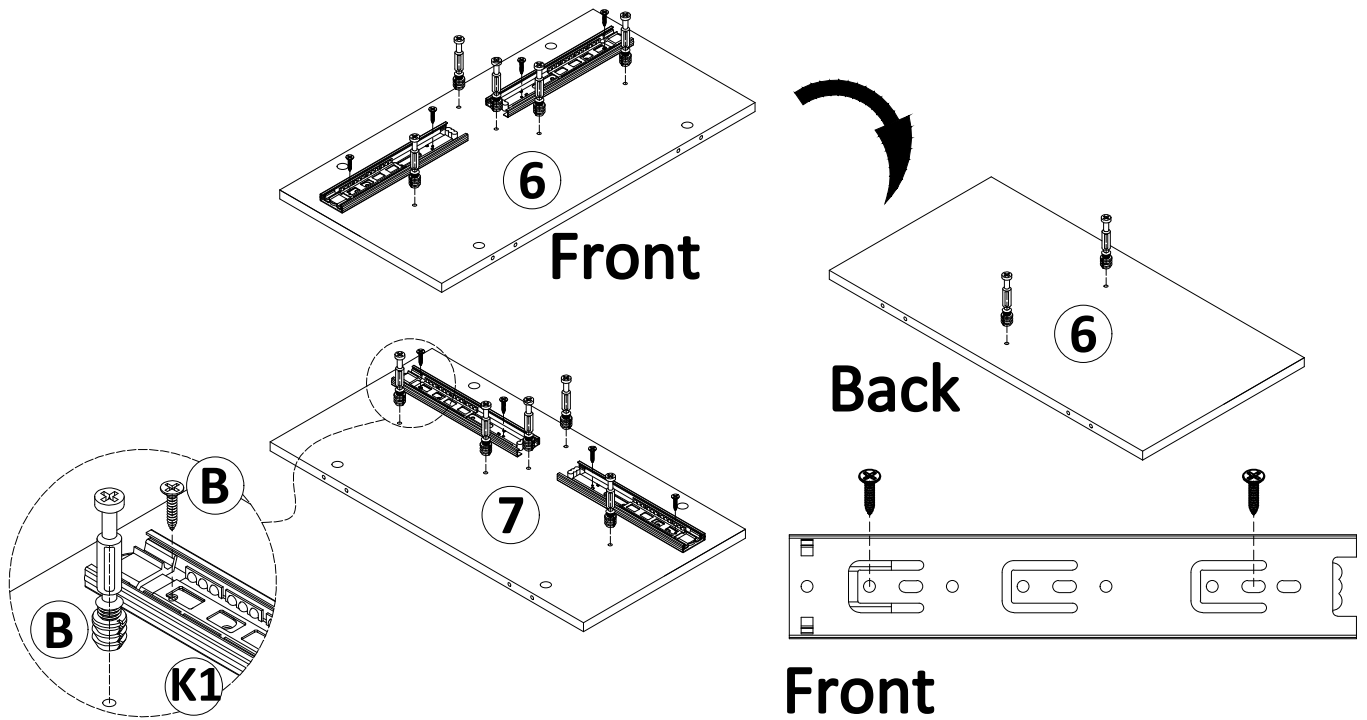
Step 6

1. Secure four K1 units to Panels 6 and 7 using #F (screws).
2. Screw #B (connector bolt) into the corresponding holes of the Panels 6 (front and back)/7.

F  **X8**


B  **X12**

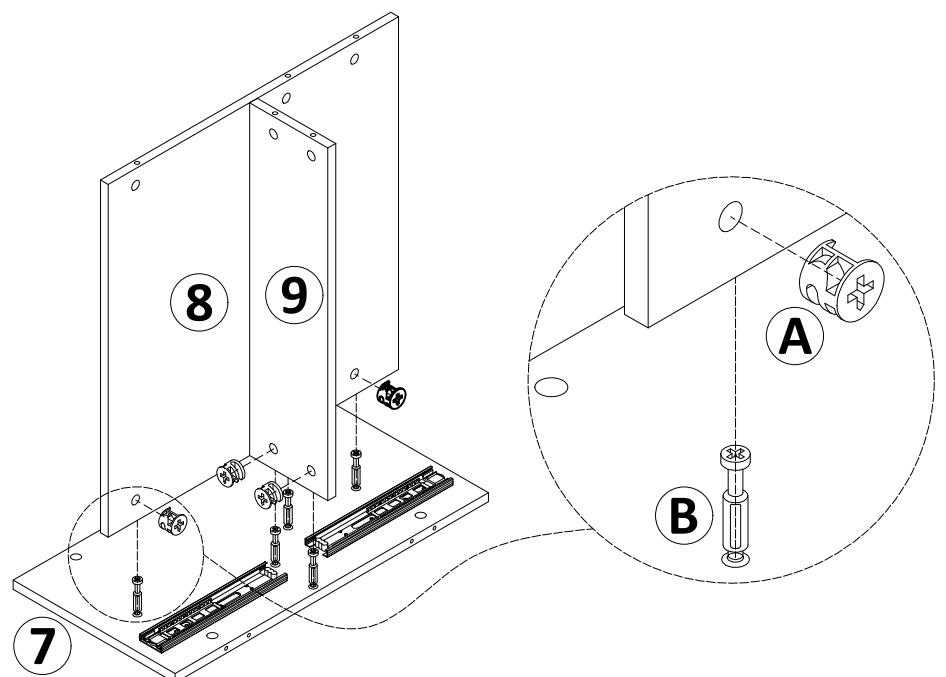
K1  **X4**



Step 7


Insert Panel 8 and Panel 9 into Panel 7, and screw in #A (eccentric locks) and tighten.

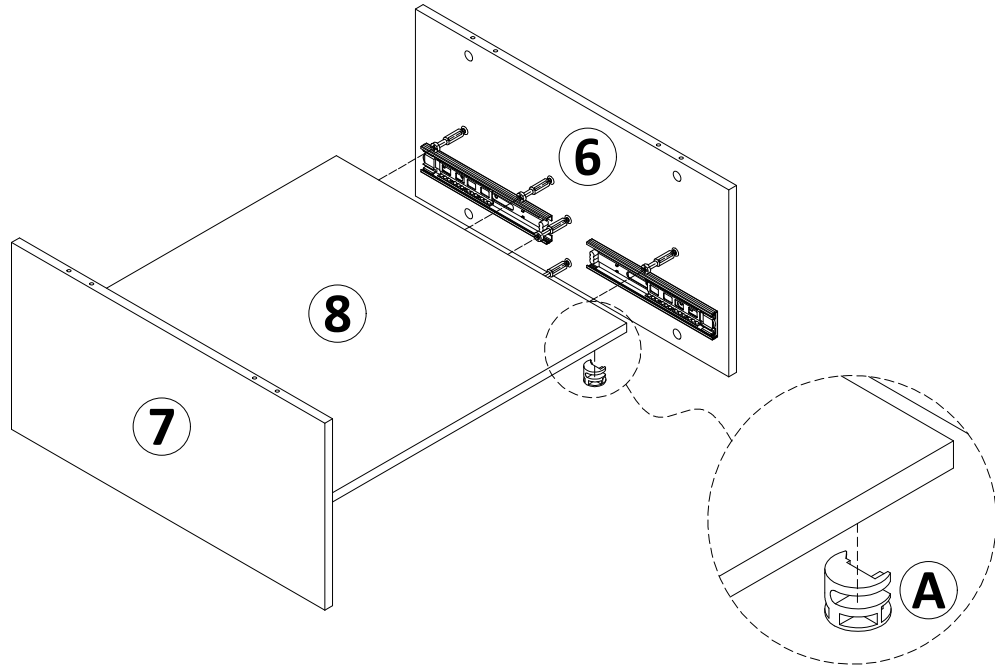
A  **X5**



Step 8


Insert Panel 6 into Panel 8, screw in #A (eccentric locks) and tighten.

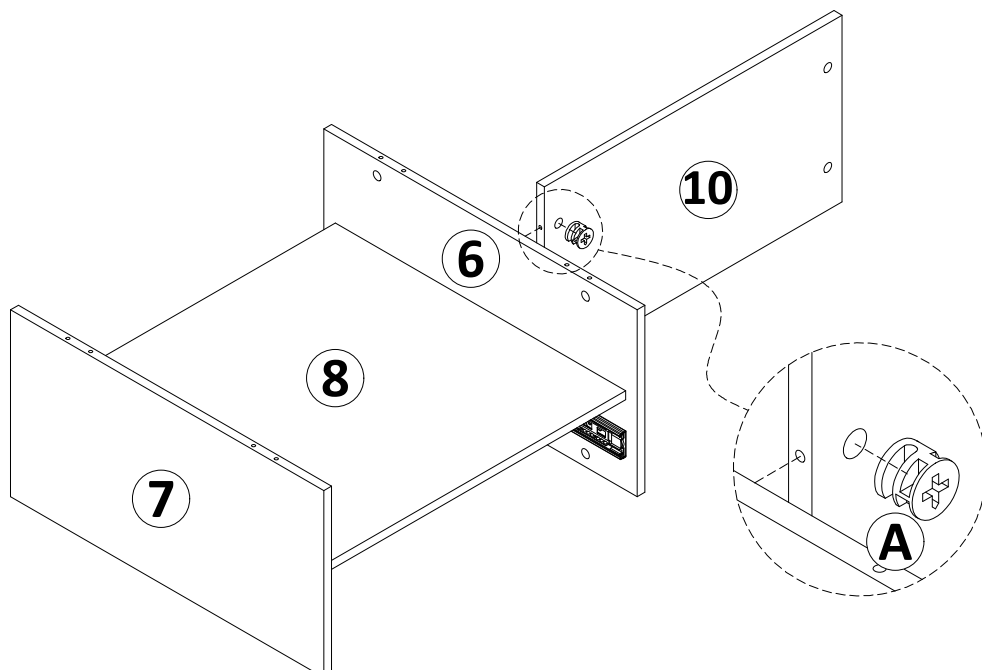
A  **X5**



Step 9


Insert Panel 10 into Panel 6, screw in #A (eccentric locks) and tighten.

A  **X2**

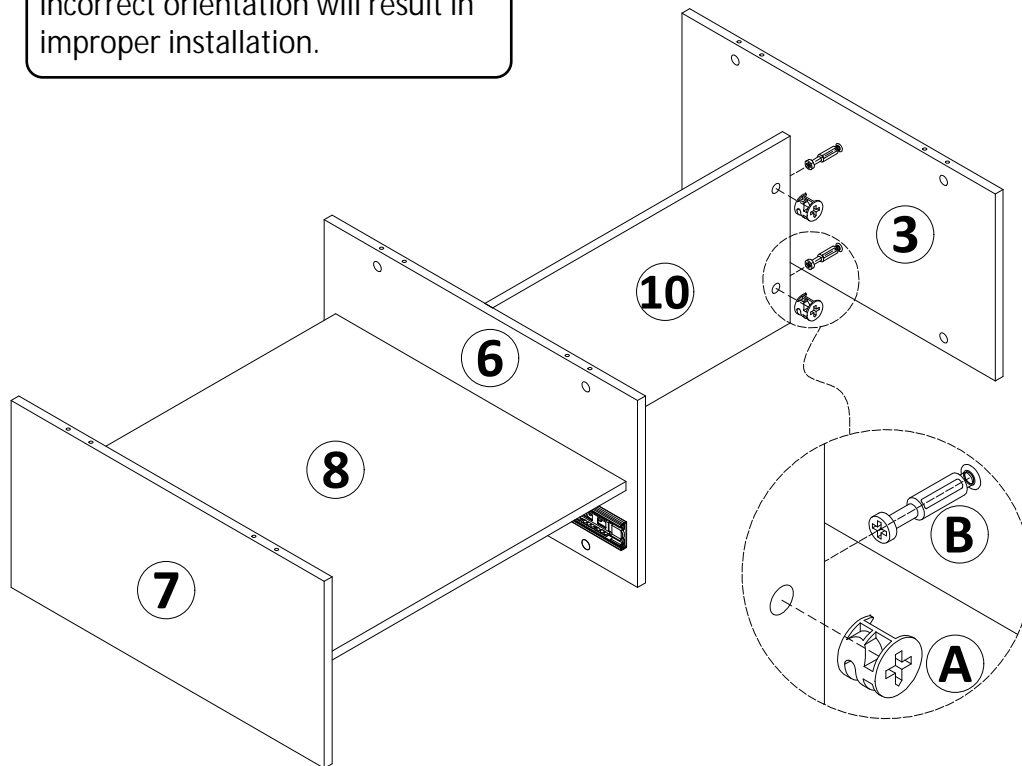


Step 10

Insert Panel 3 into Panel 10, screw in #A (eccentric locks) and tighten.

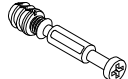
A  **X2**

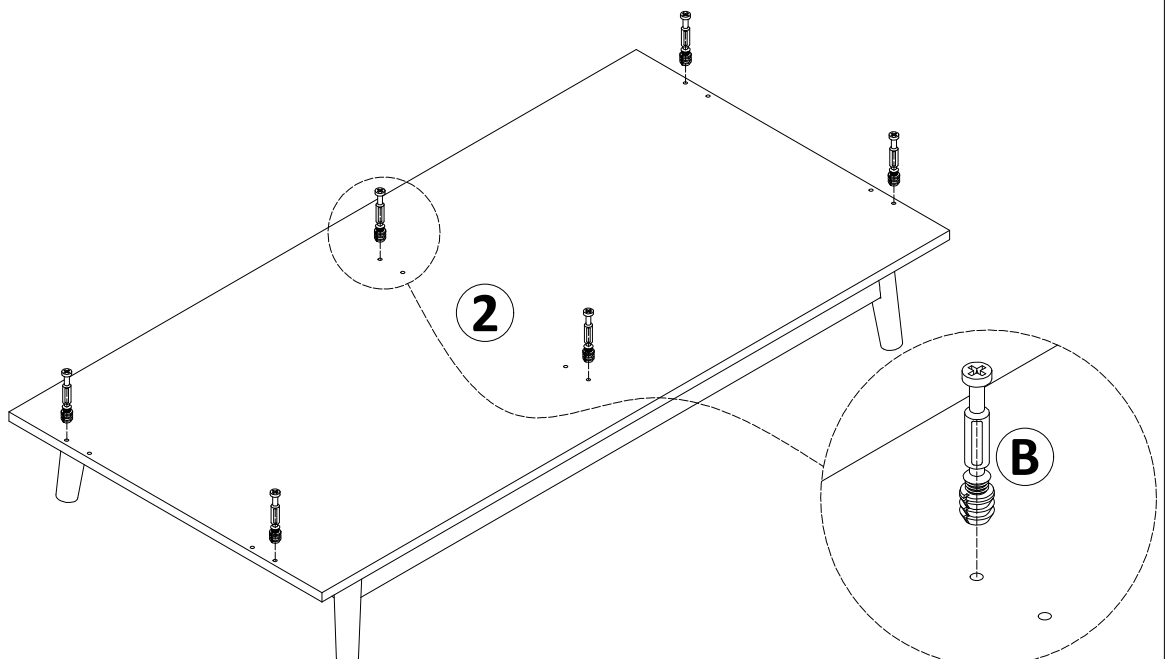
Note to the installation orientation, incorrect orientation will result in improper installation.



Step 11

First, flip the bottom frame over, and screw #B (connector bolt) into Panel 2 and tighten.

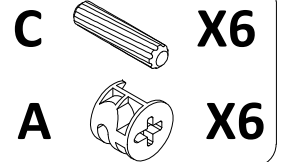
B  **X6**



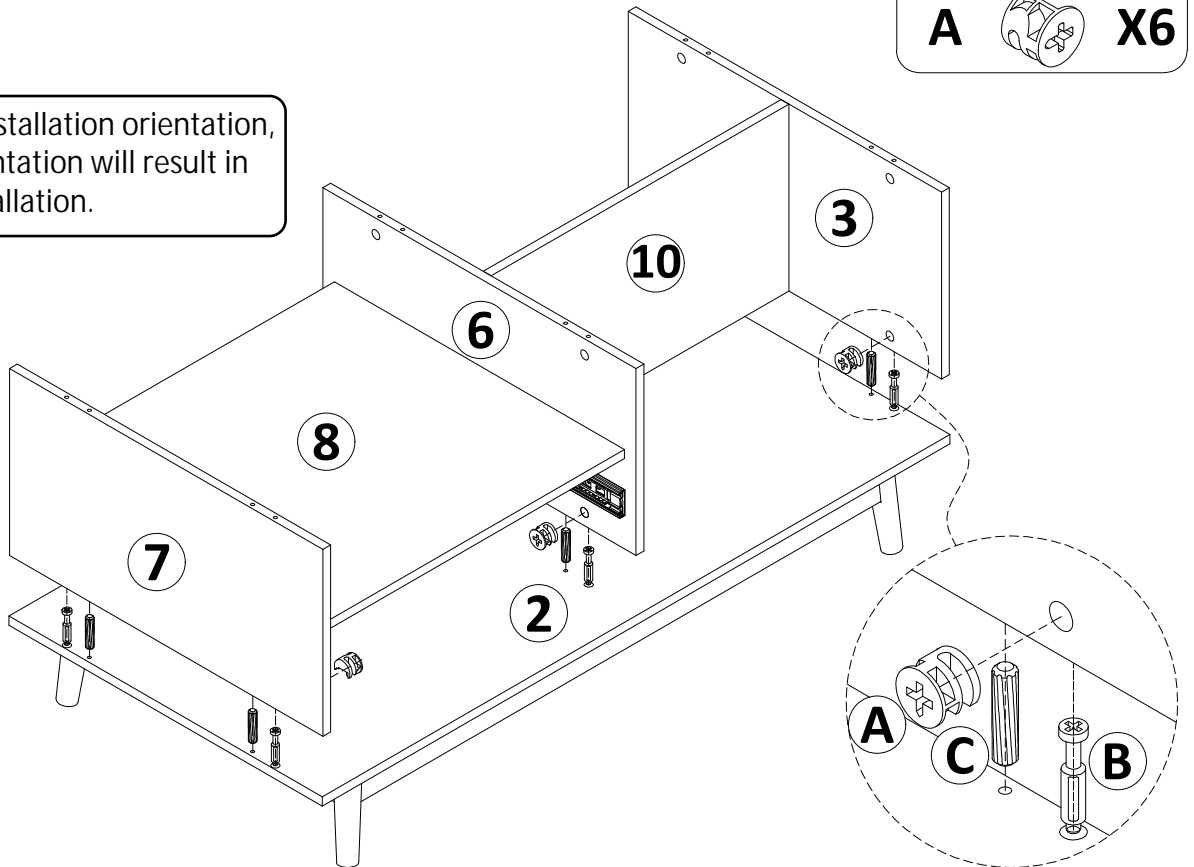
Step 12

1. Screw #C (wood dowel pins) into Panel 2;

2. Then install the entire pre-assembled part onto Panel 2 and screw in screw #A (eccentric locks) to secure.

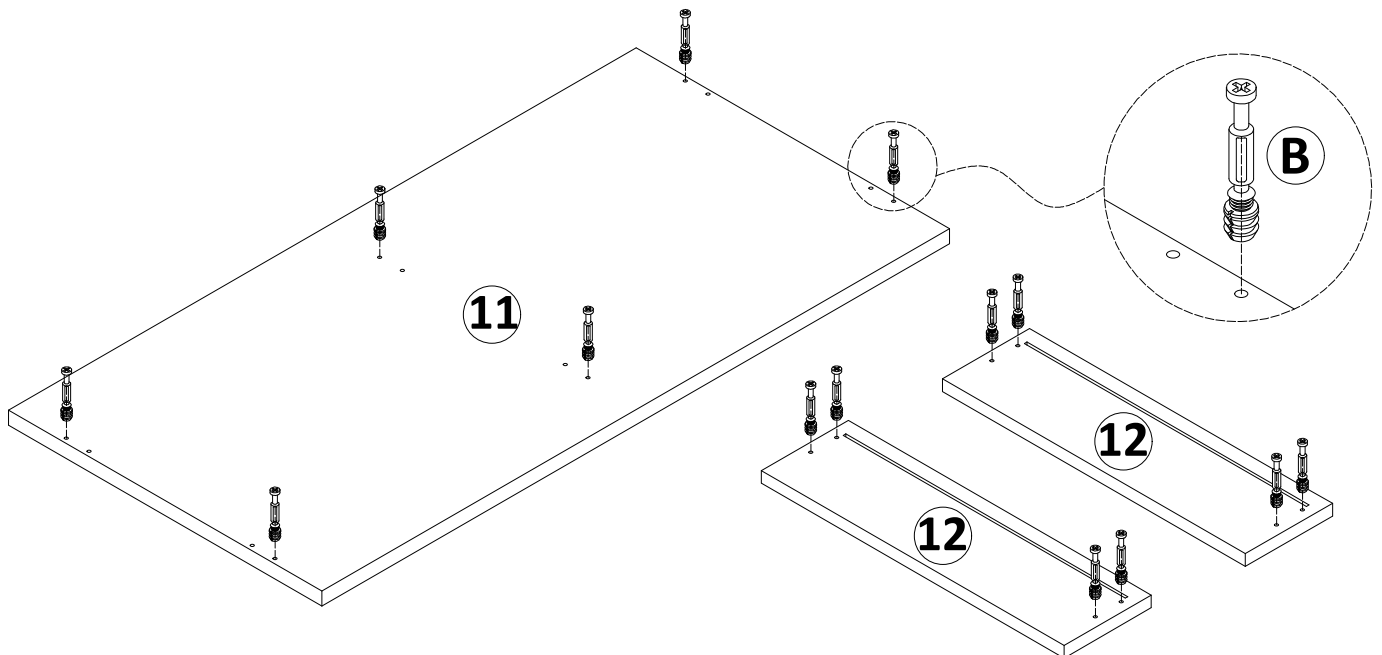
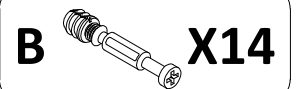


Note to the installation orientation, incorrect orientation will result in improper installation.



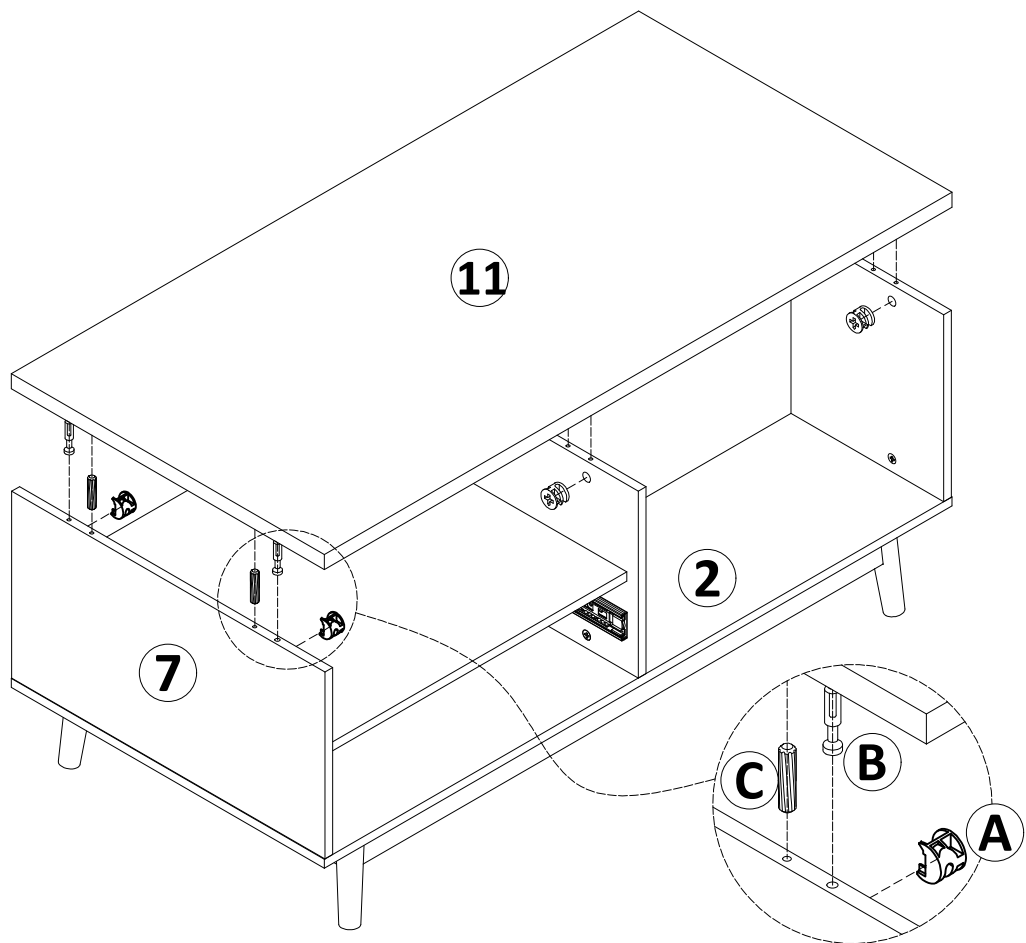
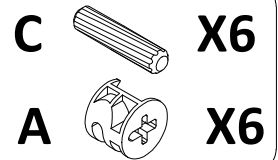
Step 13

As shown in the diagram, screw #B (connector bolt) into the corresponding holes of the Panels 12 (x2)/11.



Step 14

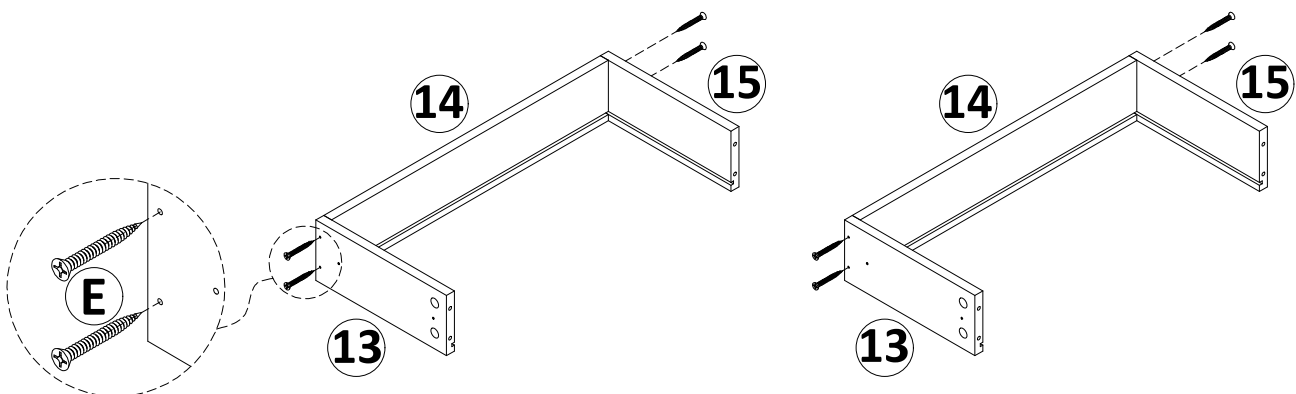
Insert #C (wood dowel pins) into the pre-drilled holes and attach Panel 11. Attach #A (eccentric cam lock) to the corresponding holes and tighten to lock.



Step 15

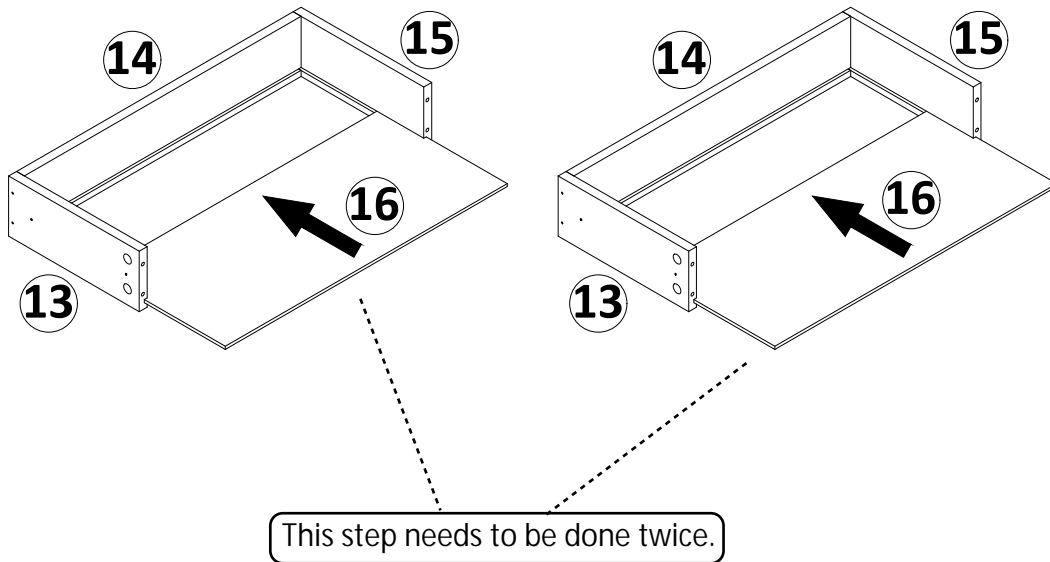
Drawer Assembly:

Using #E (screws) secure Panel 13 and Panel 15 to both sides of Panel 14, ensuring the grooves are aligned in the same direction. This step needs to be done twice.




Step 16

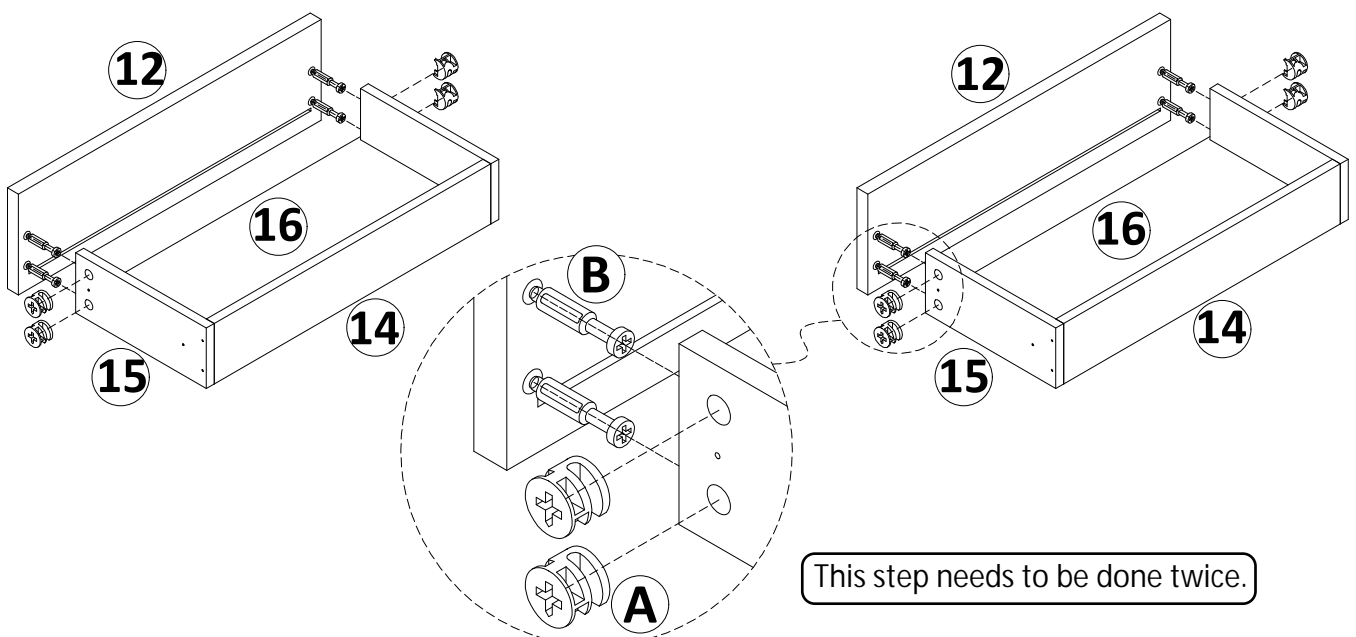
Snap Panel 16 into the groove.



Step 17

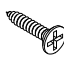

Install Panel 12 (drawer front) to the pre-drawer assembly and secure it by screwing #A (eccentric cam lock) into the side mounting holes.

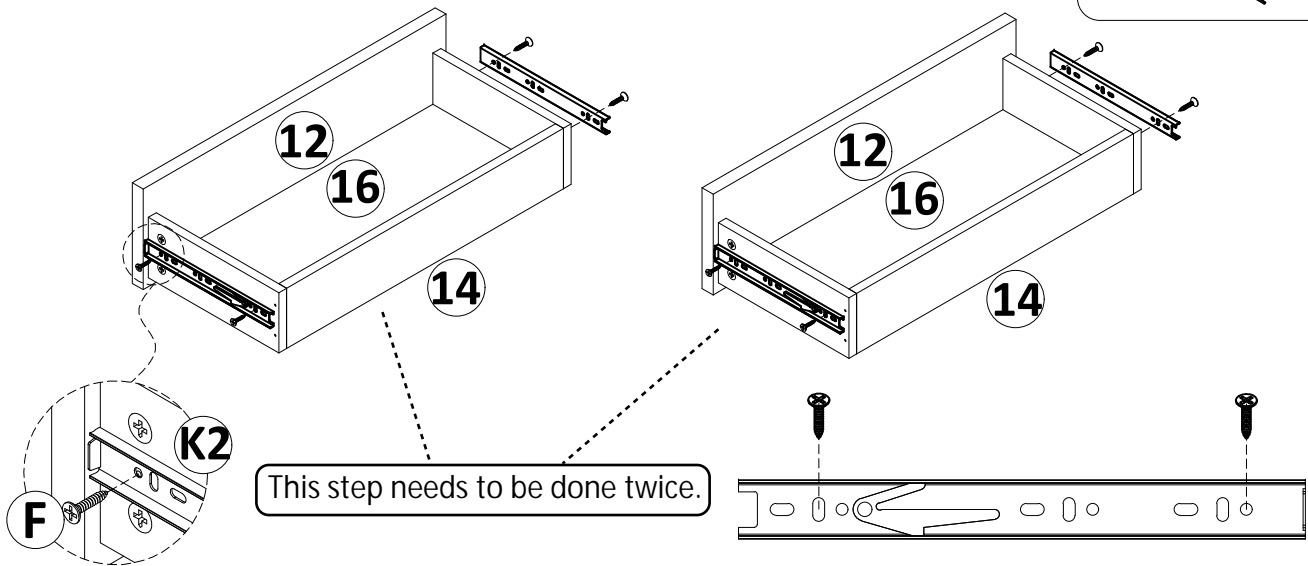
A  **X8**



Step 18

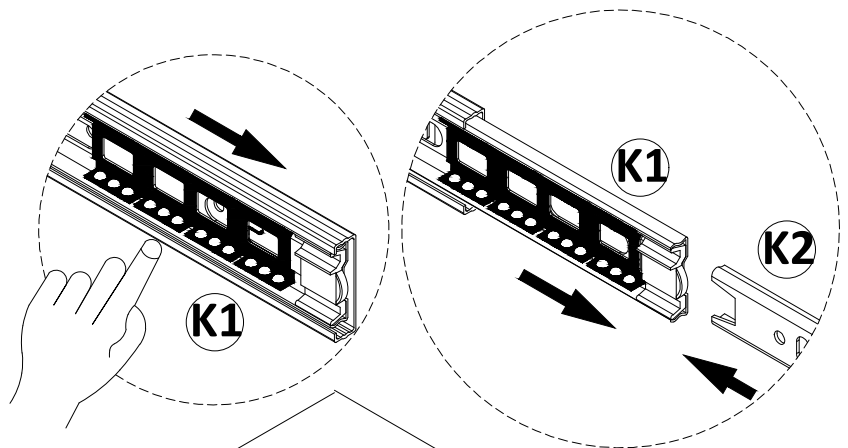
Attach the K2 (inner rails) to both sides of the drawer using the #F (screws).

F  **X8**
K2  **X4**

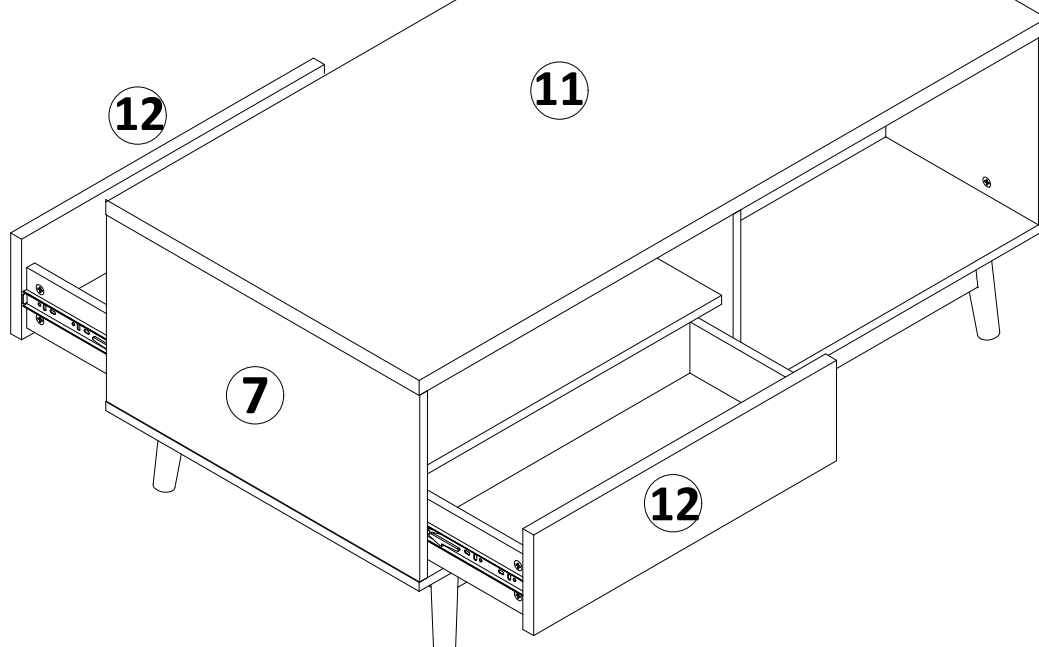


Step 19

Slide the drawer with the installed inner rails into the corresponding slots in the cabinet until it clicks into place.



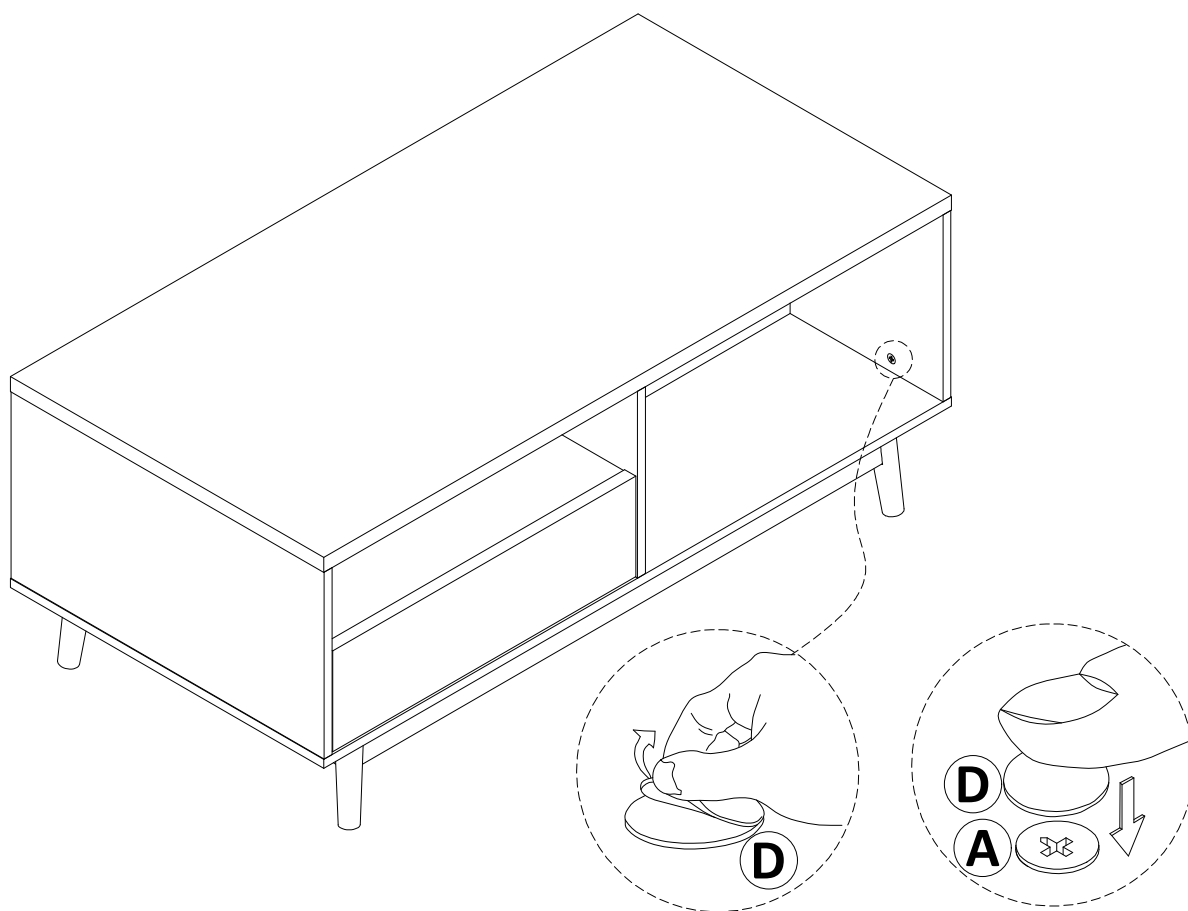
Please note that the two drawers are installed on opposite sides of the cabinet.



Step 20

D  **X12**

Place the #D (hole sticker) inside the cabinet to cover the position of the #A (eccentric cam lock).



Assembly Completed

