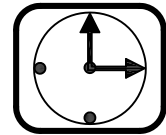
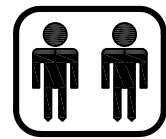


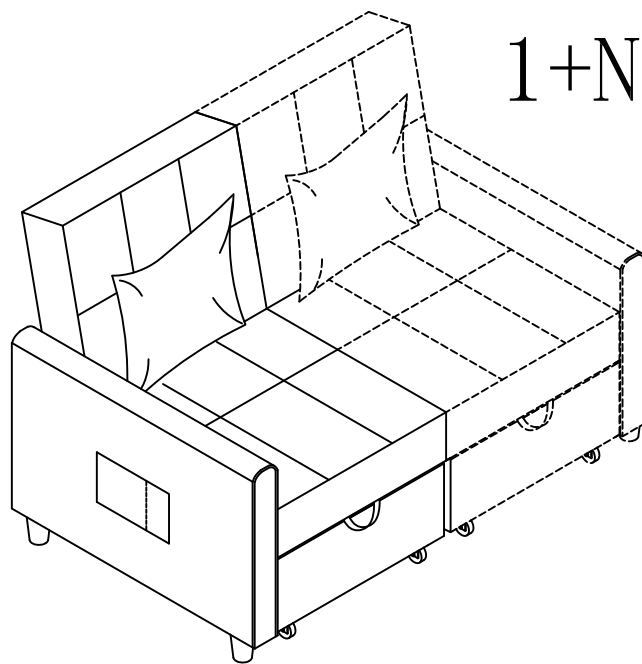
Assembly Instruction



20 Mins















X 2



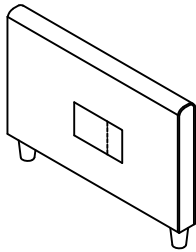
1+N

CUSTOMER FIRST, SERVICE FOREMOST!
Questions? Issues?
CONTACT US
REPLY WITHIN 24 HOURS ON WEEKDAYS

Hardware List

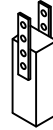
①		Ø5/16inX2 inL	3 PCS	②		Ø5/16in	9 PCS
③		Ø5/16inXØ7/8in	9 PCS	④		Ø1/4inX3/4inL	12 PCS
⑤		Ø1/4in	12 PCS	⑥		Ø1/4inXØ5/8in	12 PCS
⑦		Ø1/4in	1 PC	⑧		Ø5/16in	1 PC
⑨		Ø5/16inX1-1/2inL	6 PCS	⑩		Ø5/32inX3/4in	8 PCS
⑪		Ø5/16inX3/4inL	3 PCS	⑫			1 PC

A



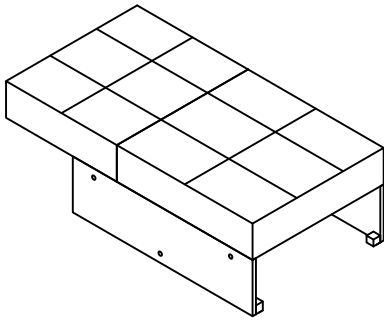
1 pc

B



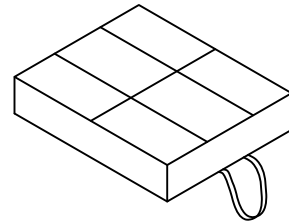
2 pcs

C



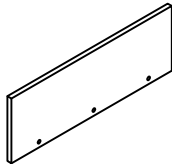
1 pc

D



1 pc

E



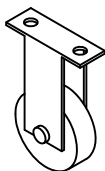
1 pc

F



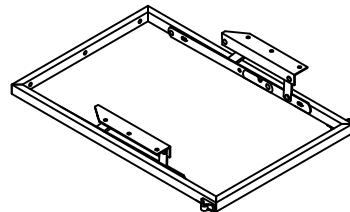
1 pc

G

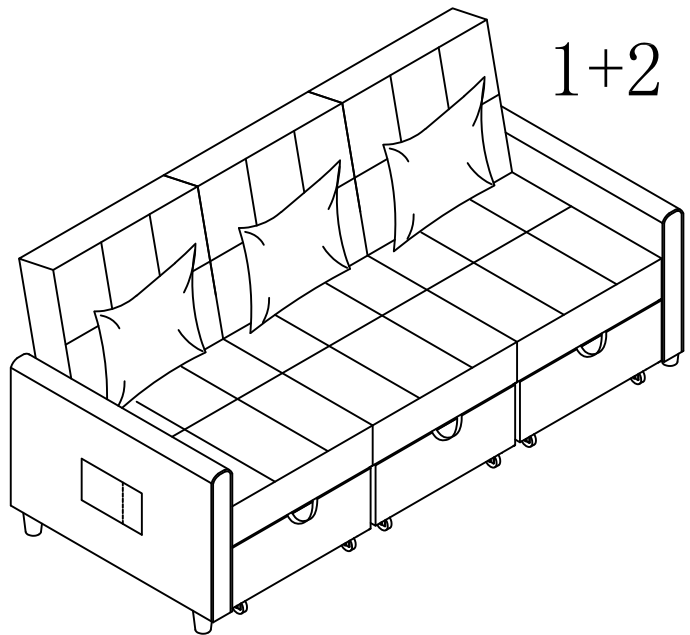
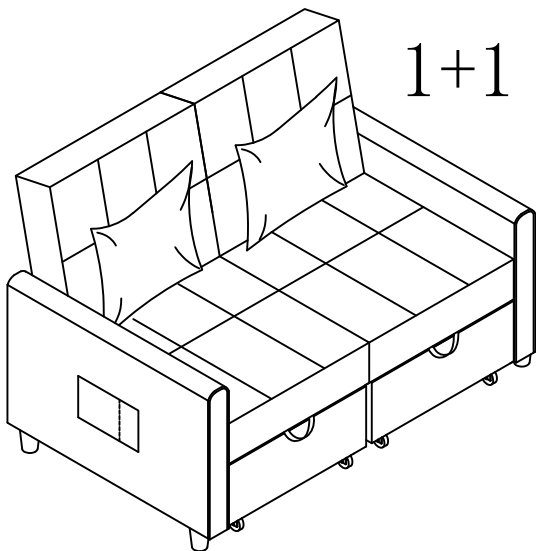
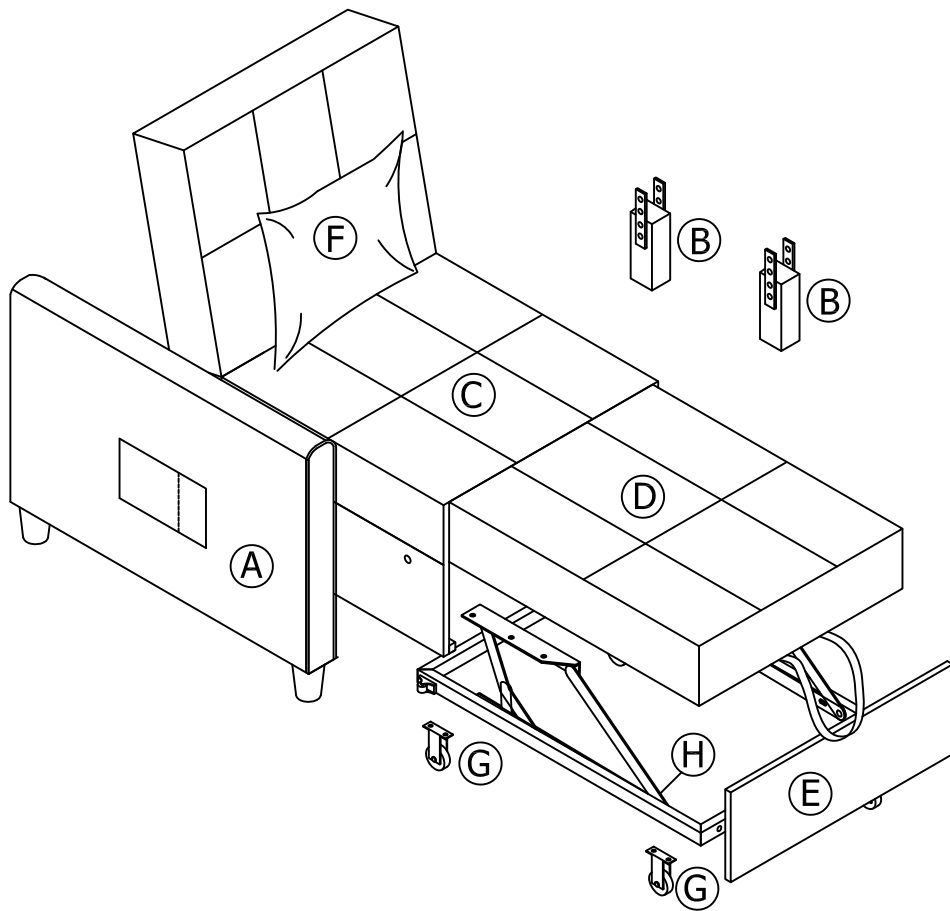


4 pcs

H



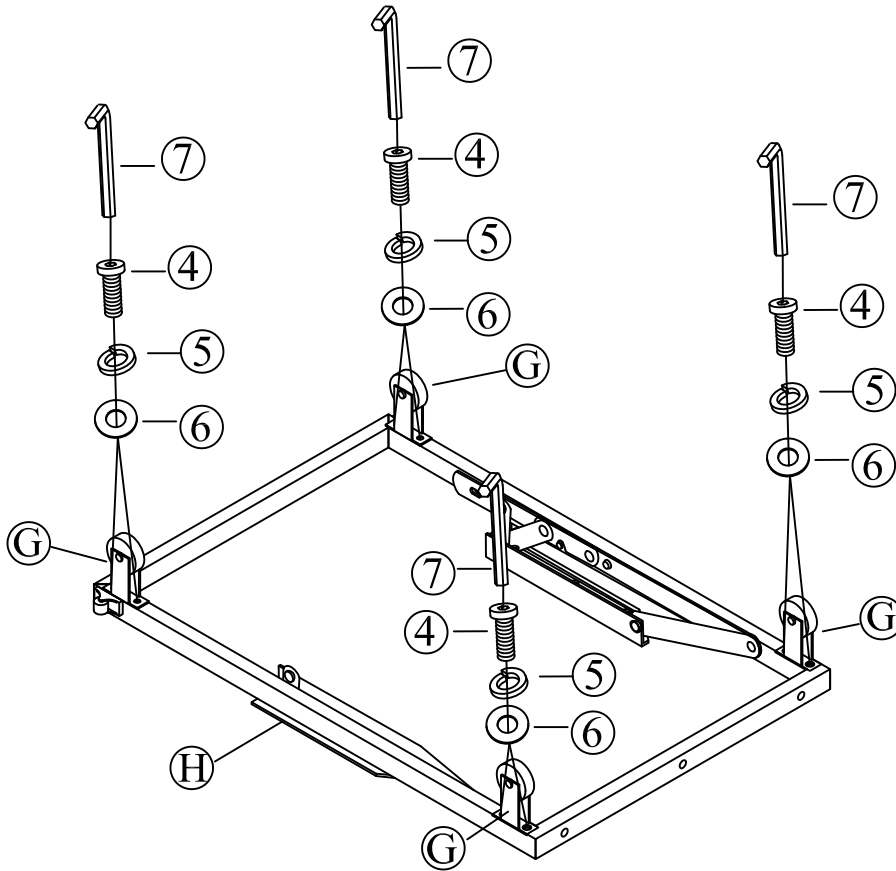
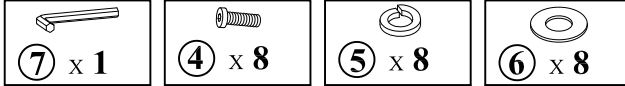
1 pc



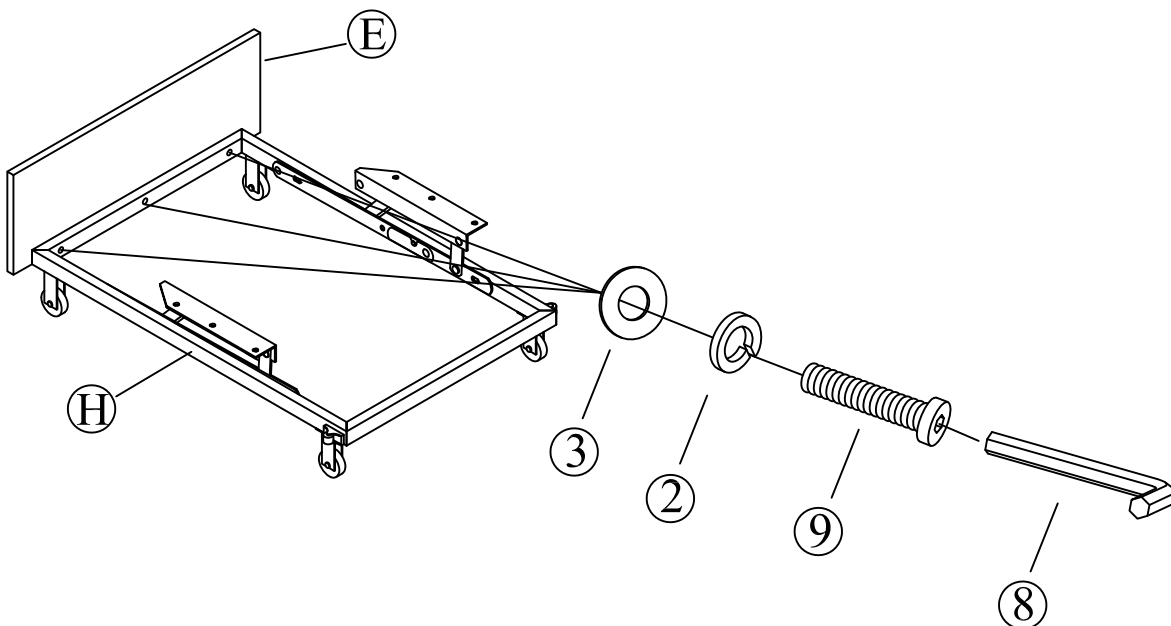
Please don't tighten the screws until all the screws are put into the hole. And if there is any problem, please contact us and we will help you to solve it.

Assembly Instructions

1

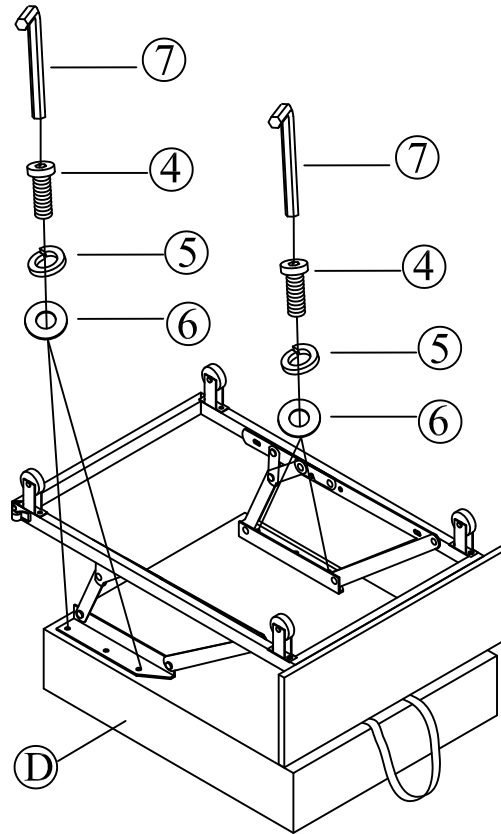
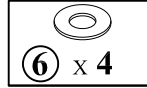
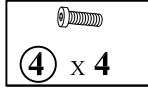
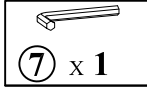


2

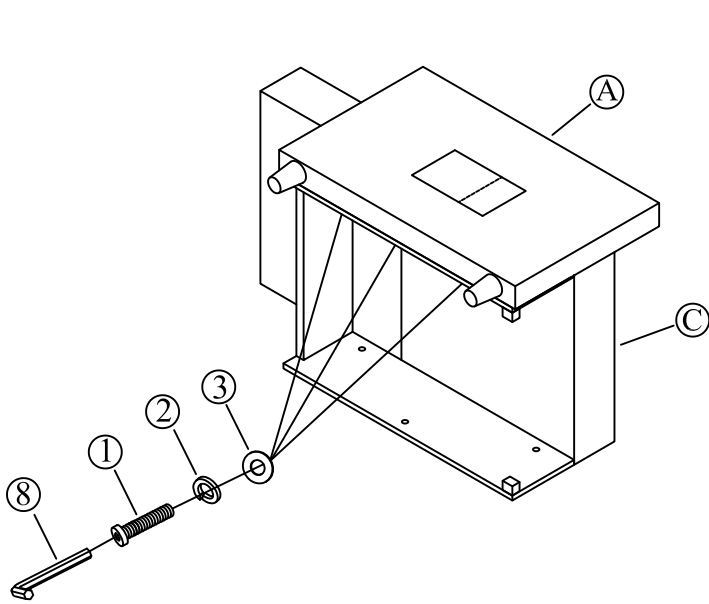
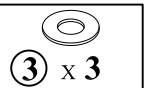
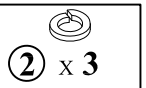
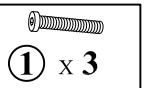
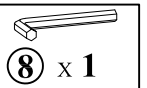


Assmly Instructions

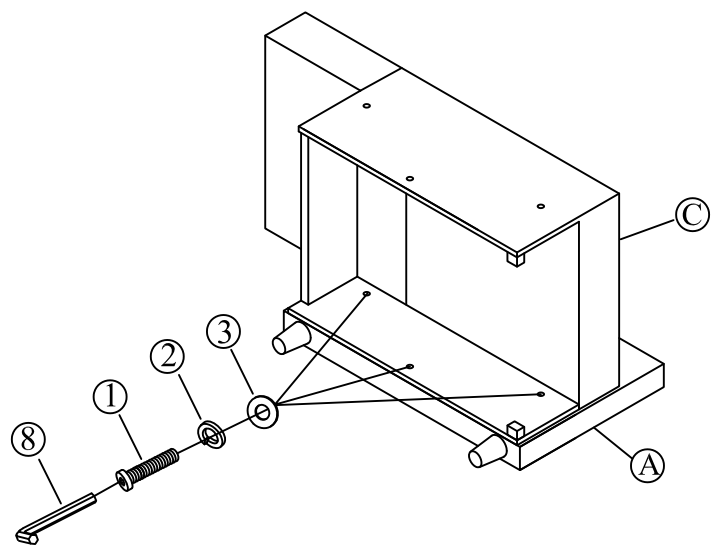
3



4



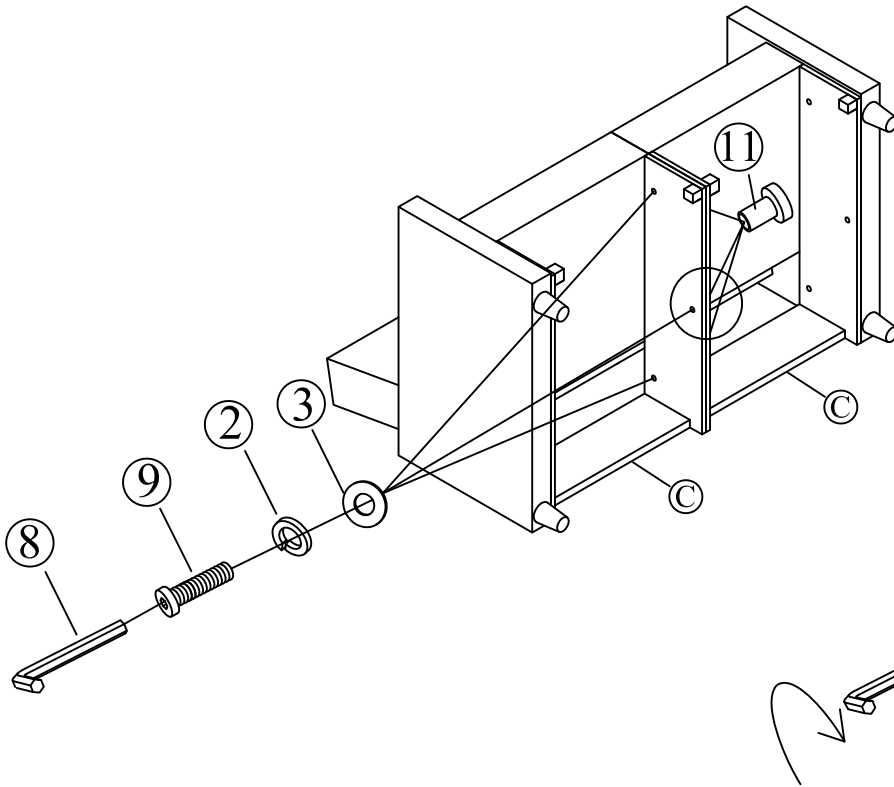
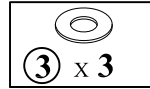
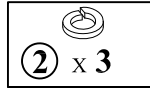
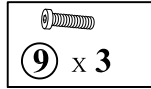
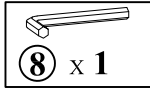
Right Seat



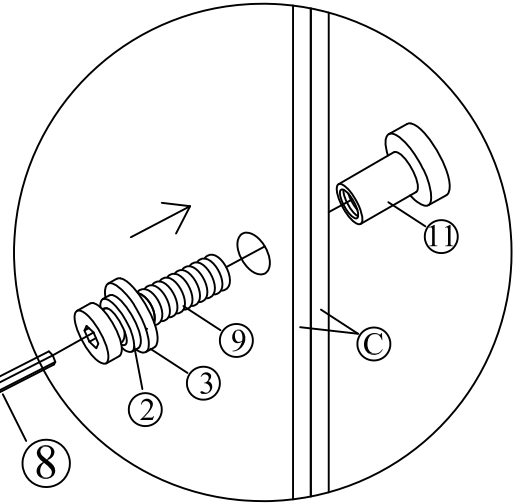
Left Seat

1+1 Assembly Instructions

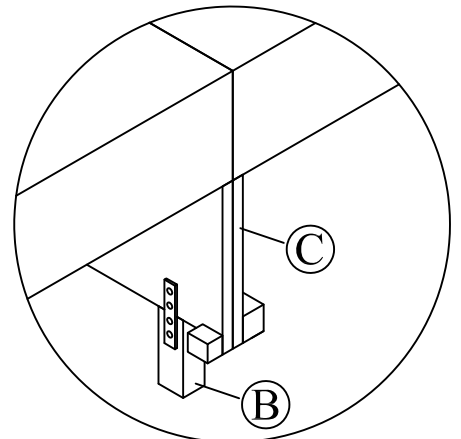
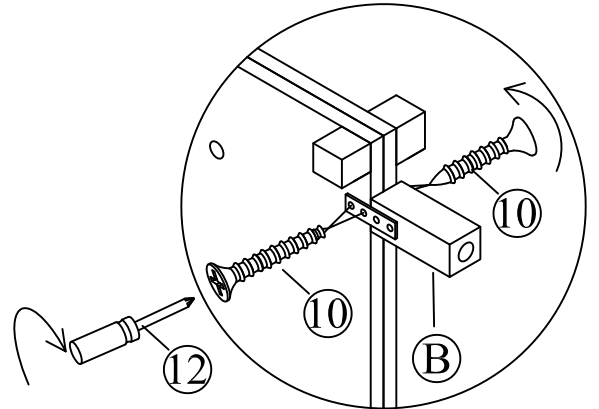
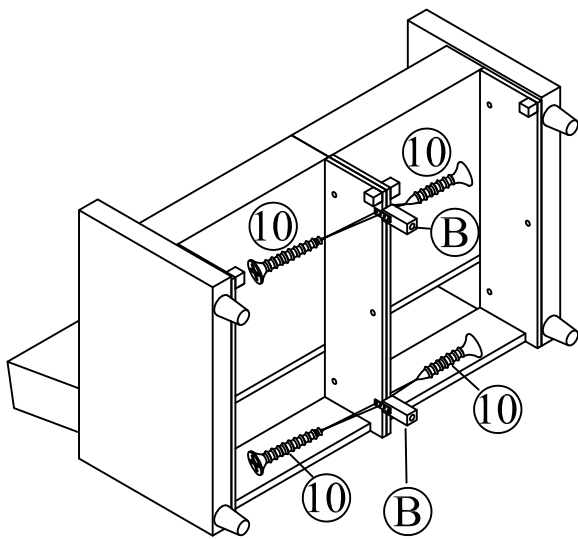
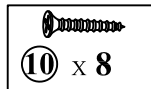
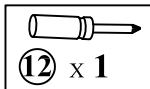
5



+1

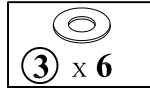
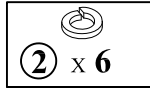
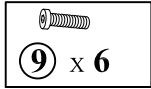
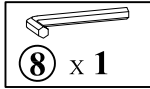


6

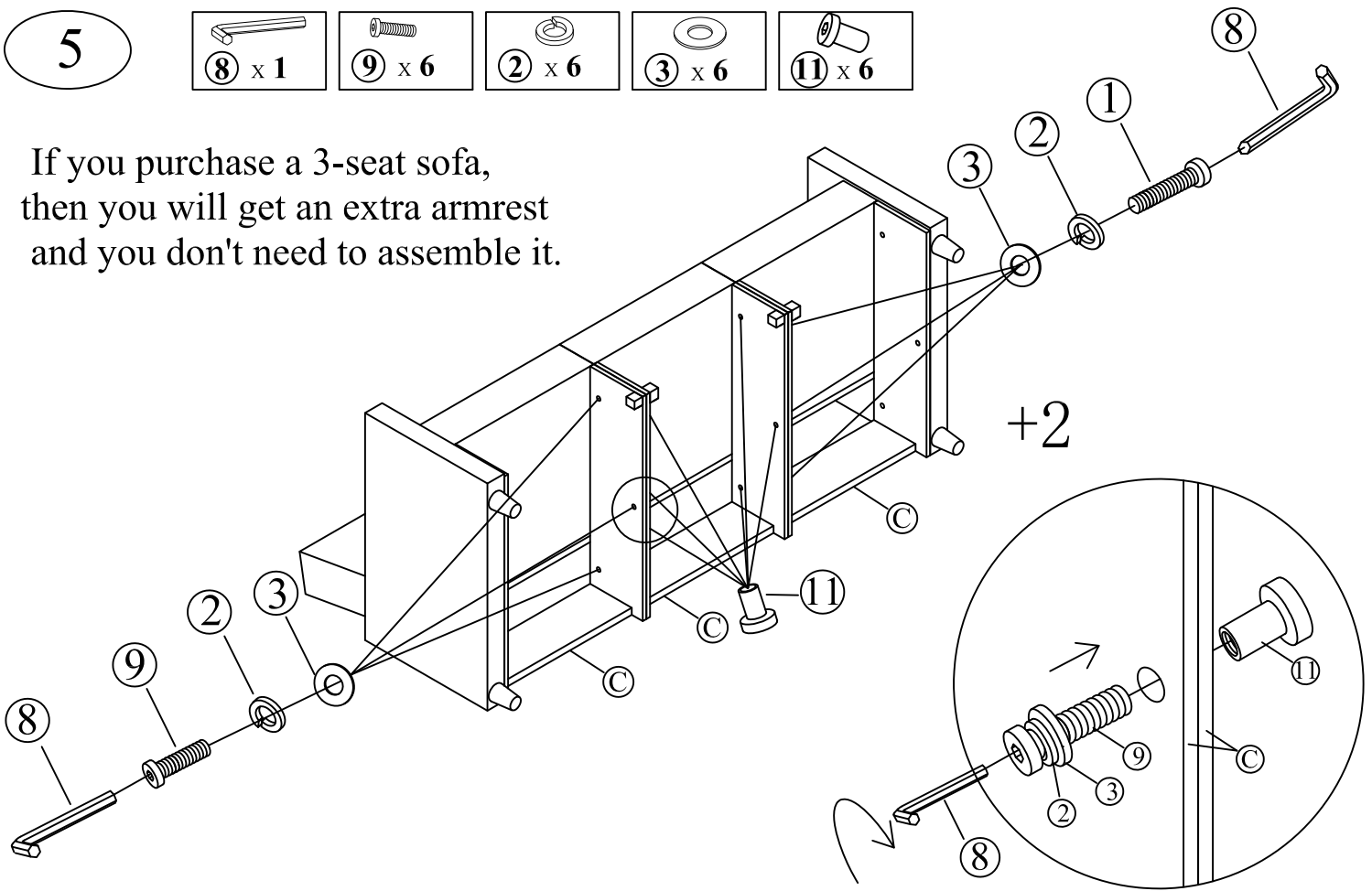


1+2 Assembly Instructions

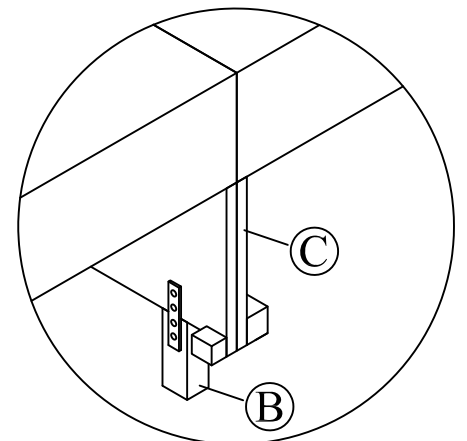
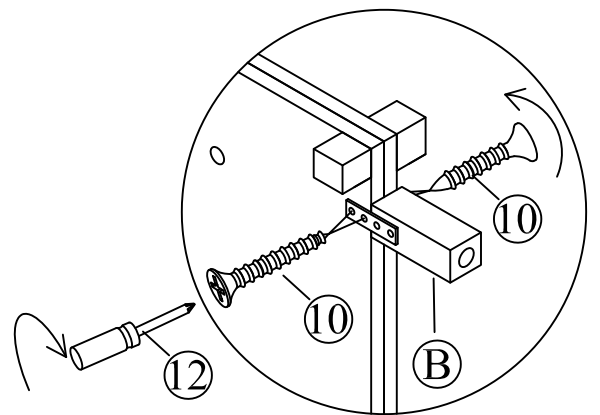
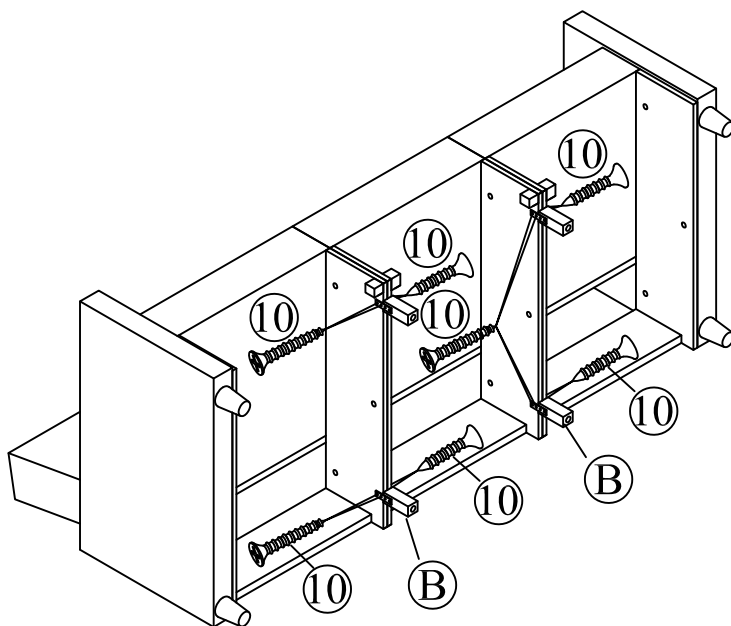
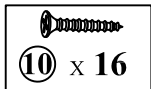
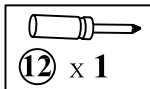
5



If you purchase a 3-seat sofa, then you will get an extra armrest and you don't need to assemble it.

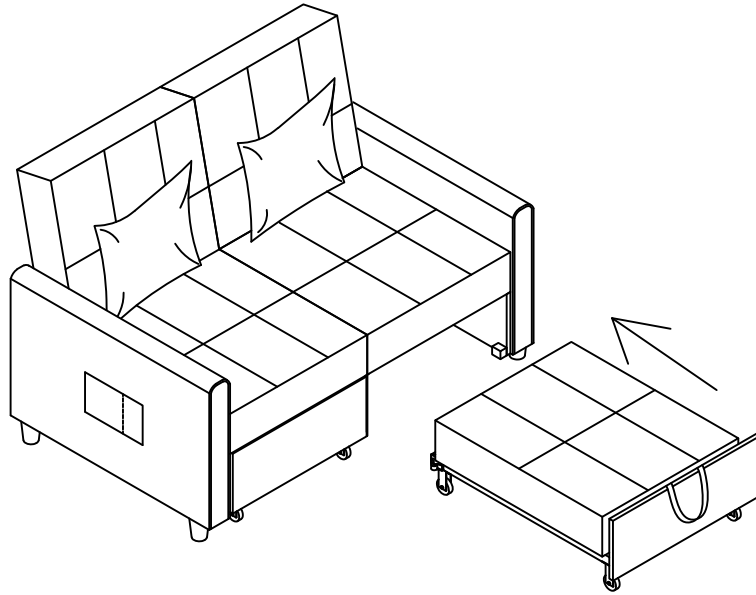


6

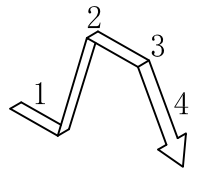
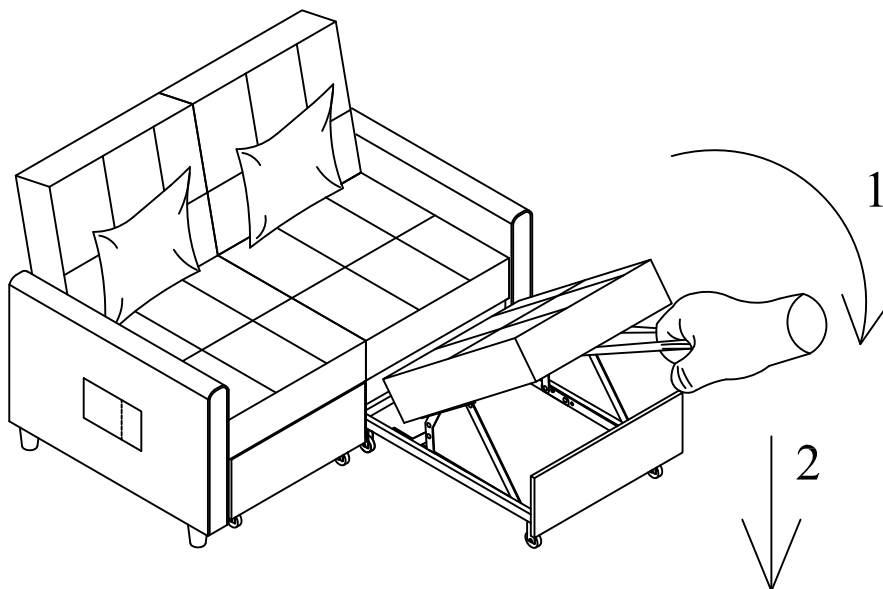
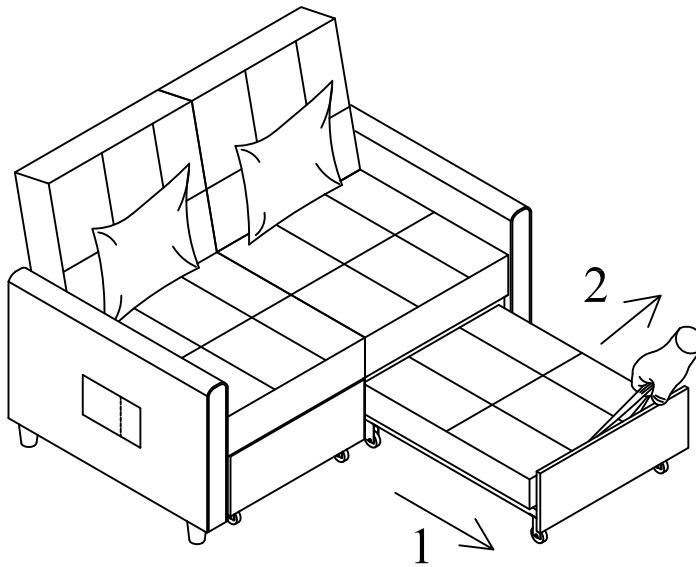


Assmly Instructions

7

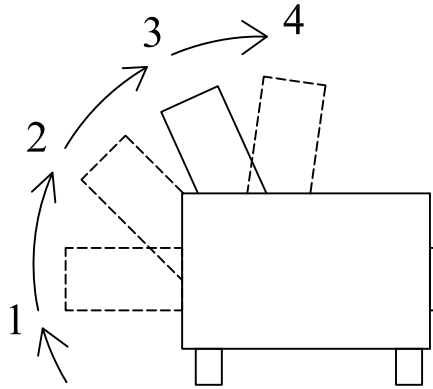


Way to Adjust the Footrest



Assmby Instructions

Way to Adjust the Backrest



From the bottom to the top:
First click: locking into recliner.
Second click: releasing recliner.
Third click: locking into chair.
Fourth click: releasing chair.

