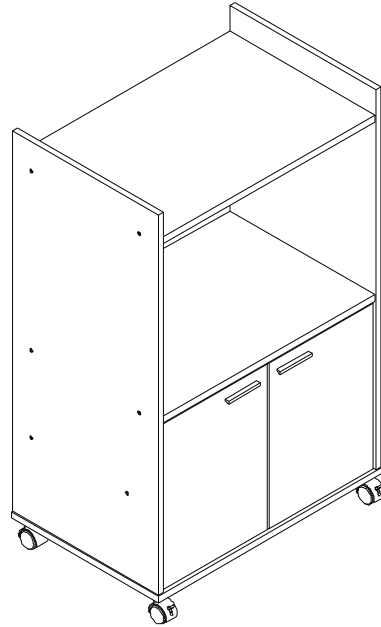


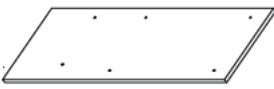
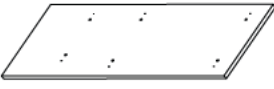
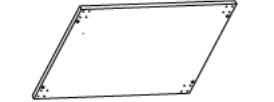

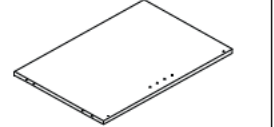

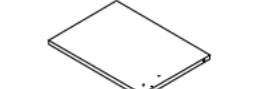


# ASSEMBLY INSTRUCTIONS



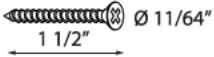






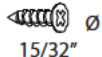



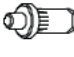

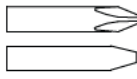

## NOTE TO CUSTOMERS:

- For ease and speed of assembly we recommend that before you commence each step of the assembly that you identify all the parts required to complete that step.
- We recommend that where possible you allow sufficient space to assemble the item as close as possible to the place where it will be once assembled.
- For the protection of your furniture we recommend that the product is placed on a dry, soft, smooth and clean surfaces during assembly to prevent any damage. Avoid damp and direct sunlight.
- During assembly do not over tighten the screws or bolts, as this may damage the product.
- Please ensure you retain all the product packaging until the item is completely assembled.
- Periodically check all fitting and re-tighten as necessary.
- Never allow any liquids to remain on your furniture as absorption can cause the wood to warp or finish to de-laminate.
- It is recommended that this item should be assembled by two adults.

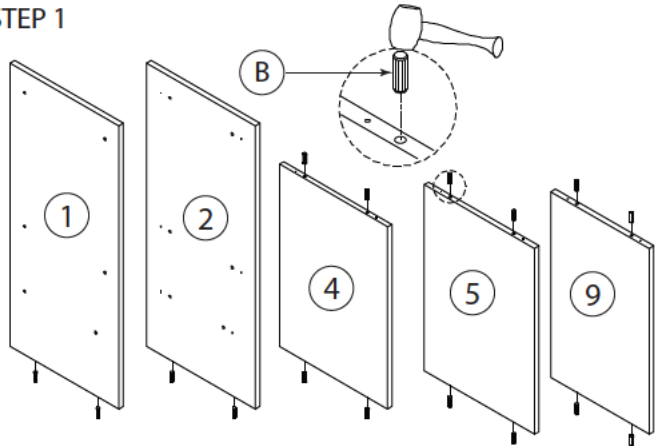
## PARTS IDENTIFICATION

<p>① Quantity: 1</p>  <p>Side Panel Left</p>	<p>② Quantity: 1</p>  <p>Side Panel Right</p>	<p>③ Quantity: 1</p>  <p>Base Panel</p>	<p>④ Quantity: 1</p>  <p>Top Shelf Panel</p>	<p>⑤ Quantity: 1</p>  <p>Middle Shelf Panel</p>
<p>⑥ Quantity: 1</p>  <p>Left Door</p>	<p>⑦ Quantity: 1</p>  <p>Right Door</p>	<p>⑧ Quantity: 1</p>  <p>Back Panel</p>	<p>⑨ Quantity: 1</p>  <p>Lower Shelf Panel</p>	

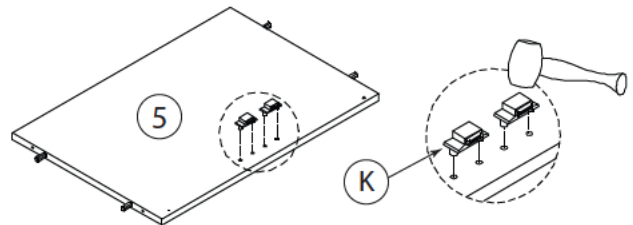
## HARDWARE LIST

<p><b>A</b> Screw #9 x 1 1/2"</p>  <p>Quantity: 16 pcs</p>	<p><b>B</b> Wooden Dowel M8 x 25</p>  <p>Quantity: 16 pcs</p>	<p><b>C</b> Castor Wheel with Lock</p>  <p>Quantity: 2 pcs</p>	<p><b>D</b> Castor Wheel</p>  <p>Quantity: 2 pcs</p>	<p><b>E</b> Pan head Screw M3.5 x 12 for castors</p>  <p>Quantity: 16 pcs</p>
<p><b>F</b> Nails</p>  <p>Quantity: 12 pcs</p>	<p><b>G</b> Catcher Plate</p>  <p>Quantity: 2 pcs</p>	<p><b>H</b> Catcher Plate's Screw M3.5 x 12</p>  <p>Quantity: 4 pcs</p>	<p><b>I</b> Door Pull</p>  <p>Quantity: 2 pcs</p>	<p><b>J</b> Pan head Screw #6 x 22</p>  <p>Quantity: 4 pcs</p>
<p><b>K</b> Door Catcher</p>  <p>Quantity: 2 pcs</p>	<p><b>L</b> Door Pivot Hinges</p>  <p>Quantity: 4 pcs</p>	<p><b>M</b> Sticker</p>  <p>Quantity: 12 pcs</p>	<p><b>TOOLS REQUIRED</b></p>  <p>SCREW DRIVER</p>  <p>MALLET</p>	

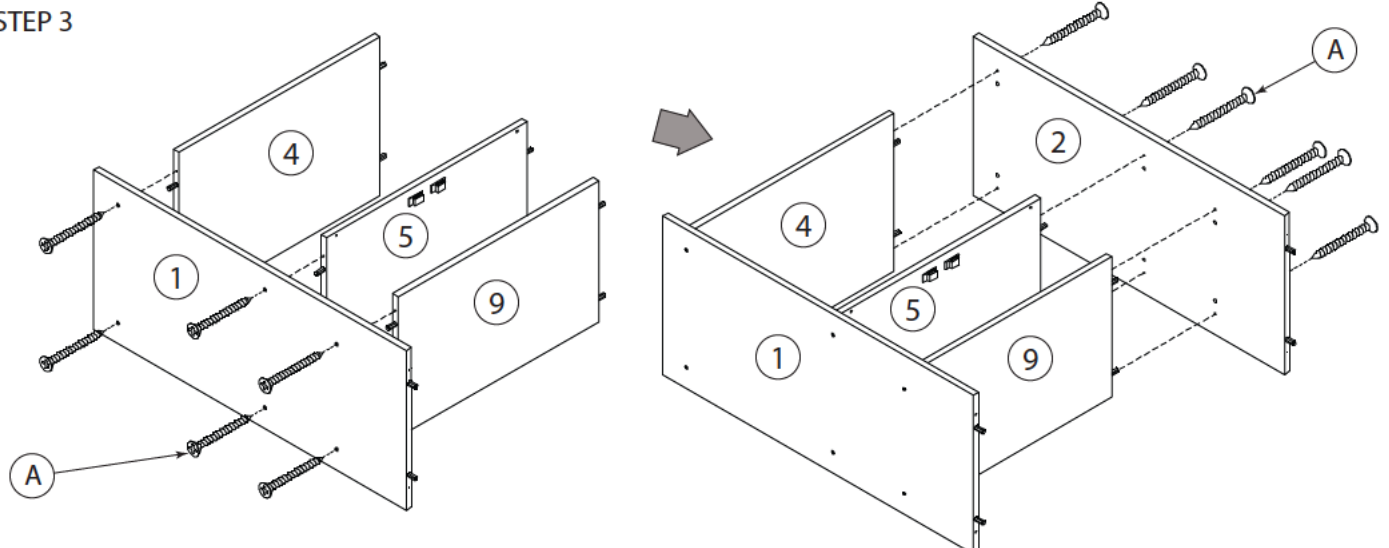
### STEP 1



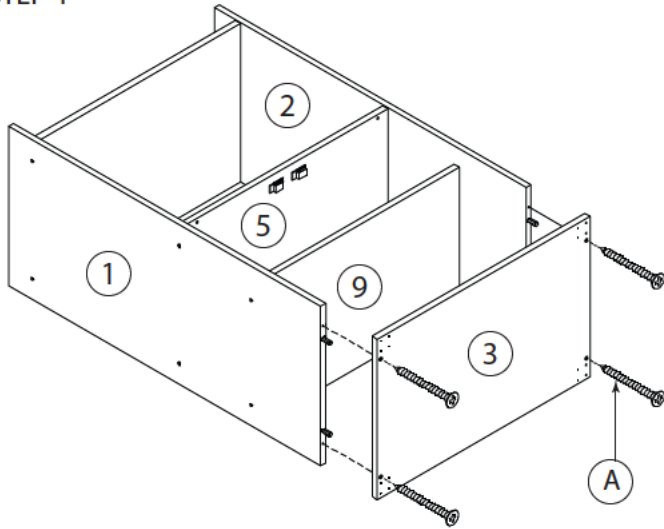
### STEP 2



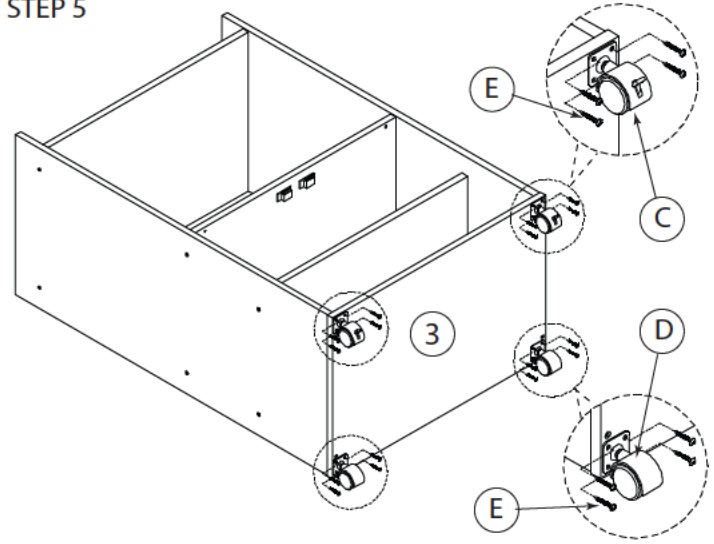
### STEP 3



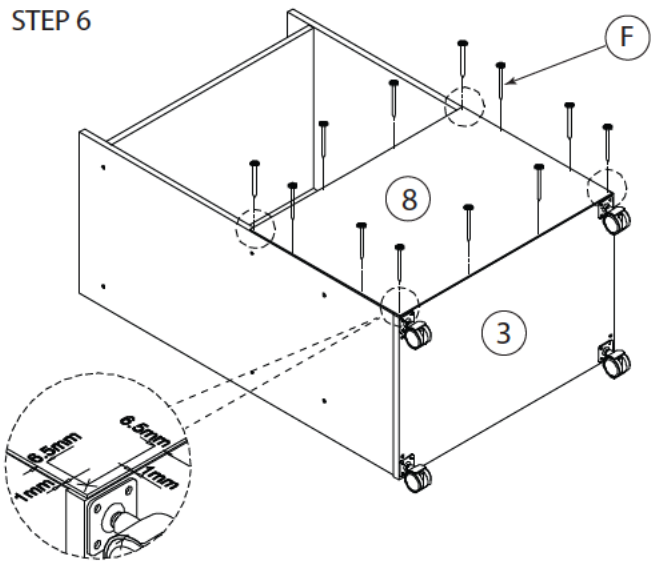
STEP 4



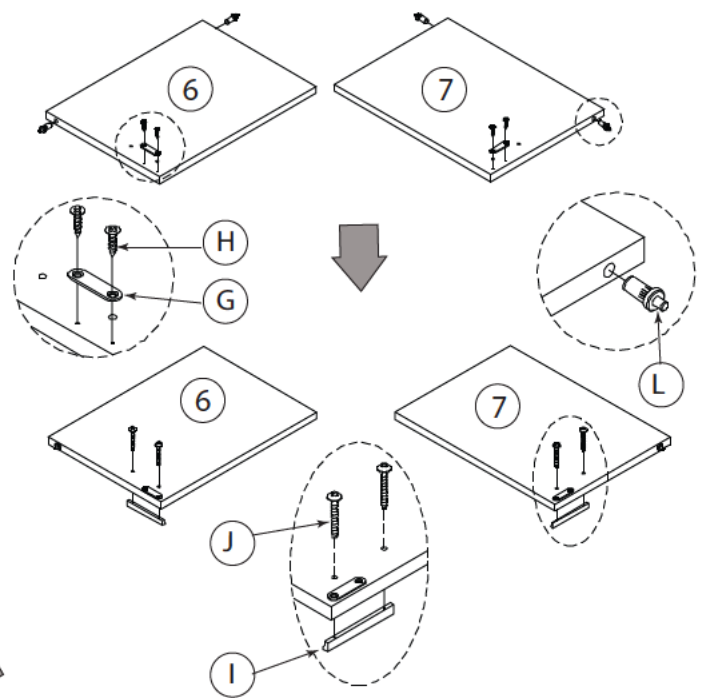
STEP 5



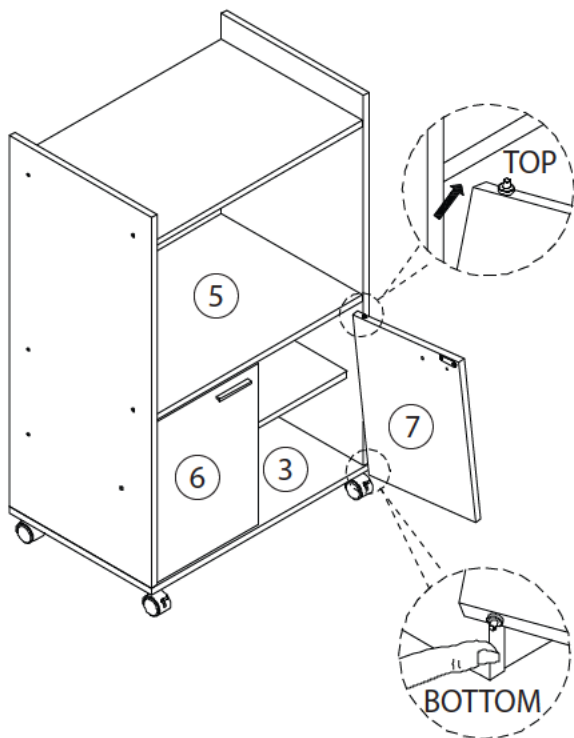
STEP 6



STEP 7



STEP 8



STEP 9

