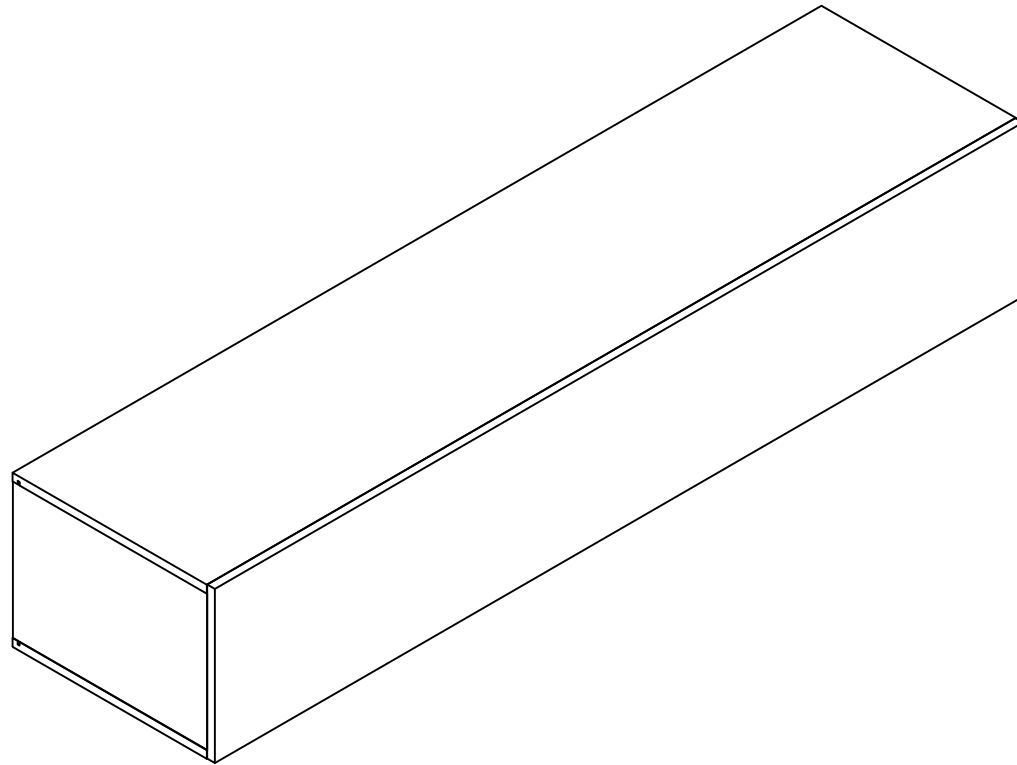
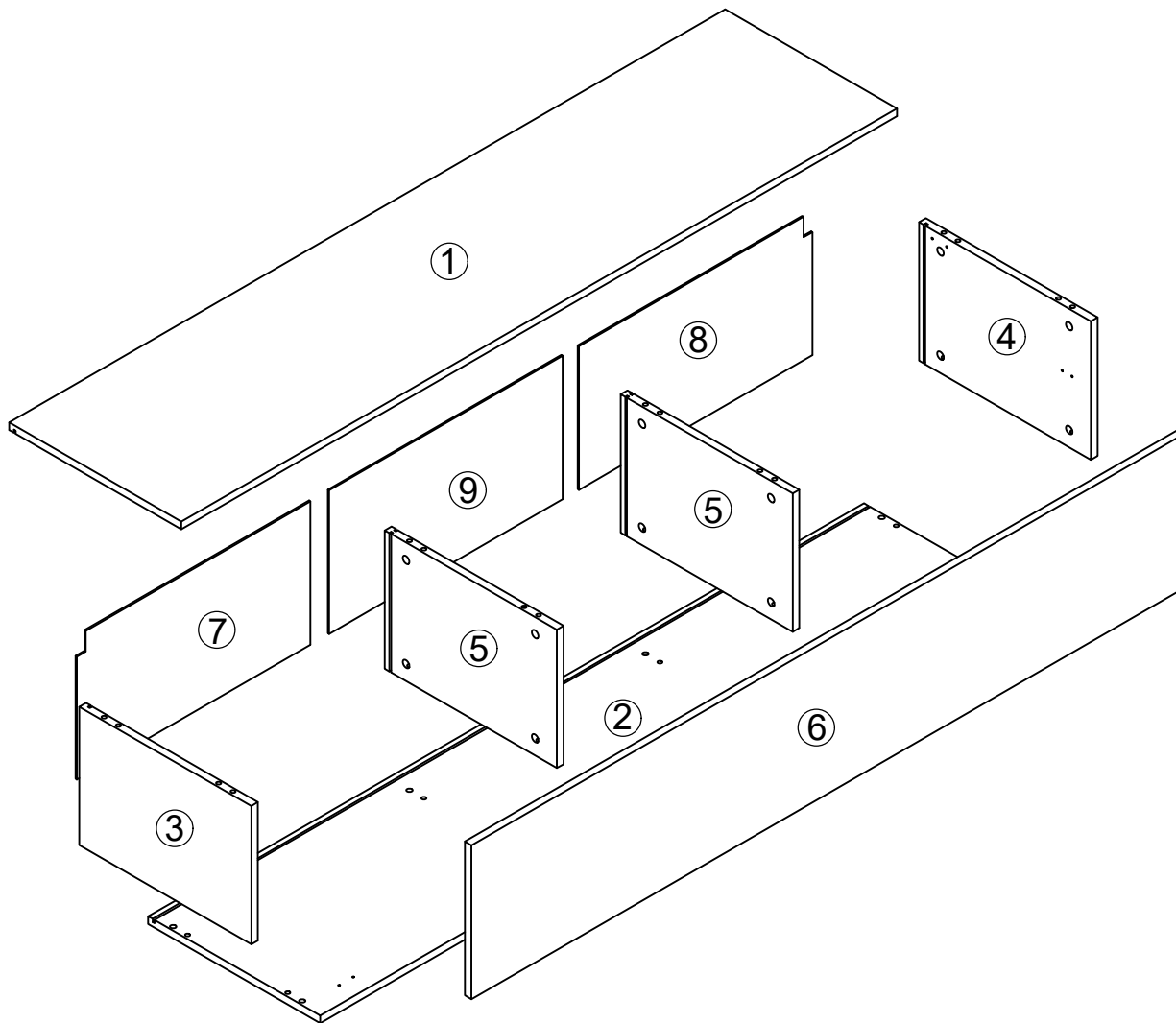
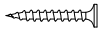




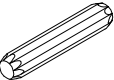
Installation & Assembly

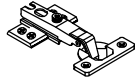





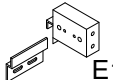

K 3.5*25

 10PCS


A


 16PCS

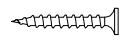
B 8*40

 16PCS

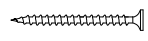
C

 3PCS

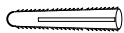
D

 2PCS

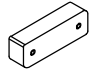
E


 2PCS

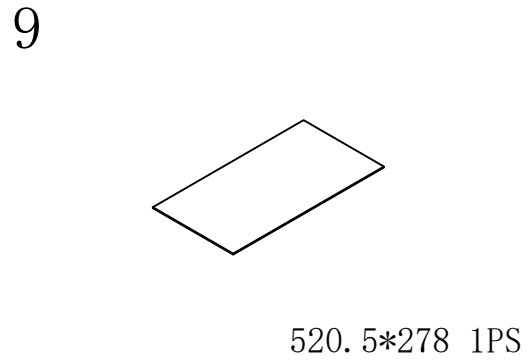
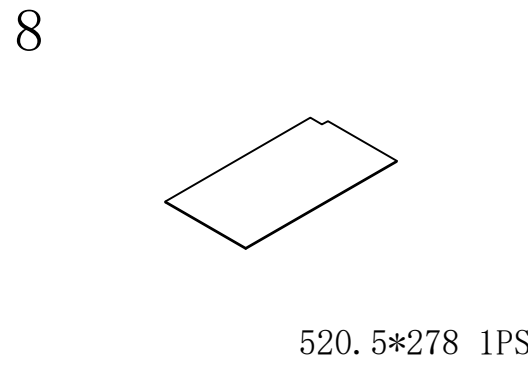
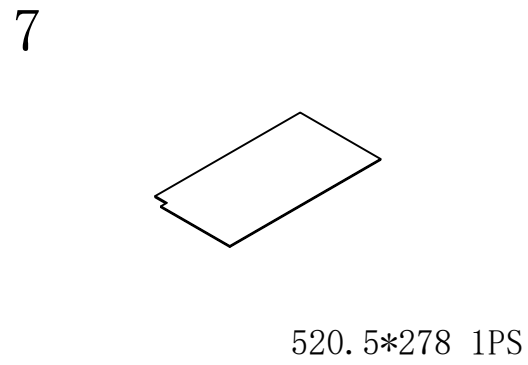
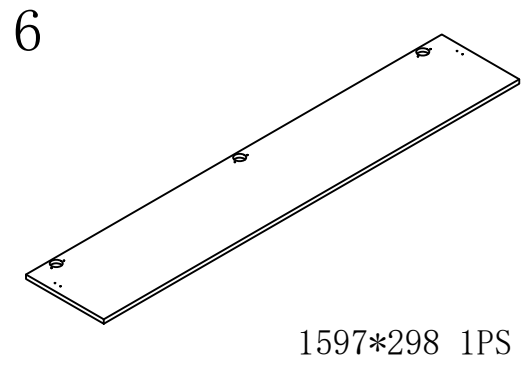
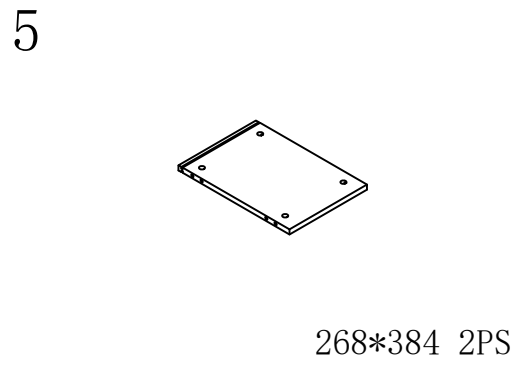
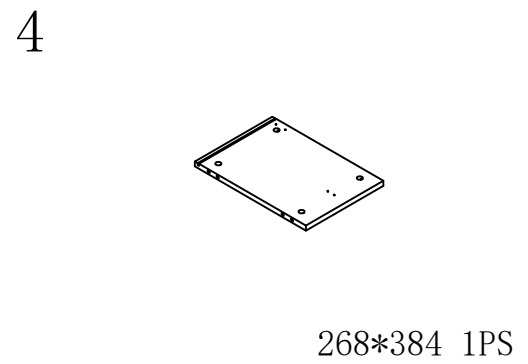
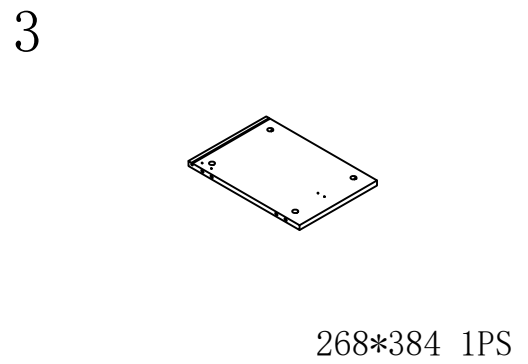
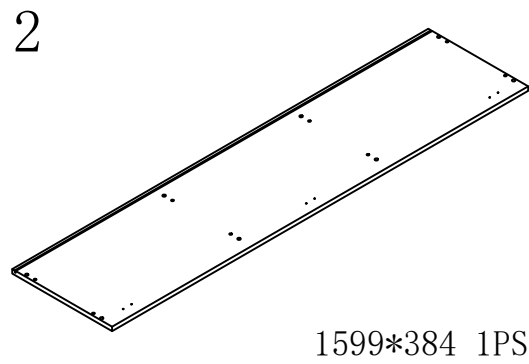
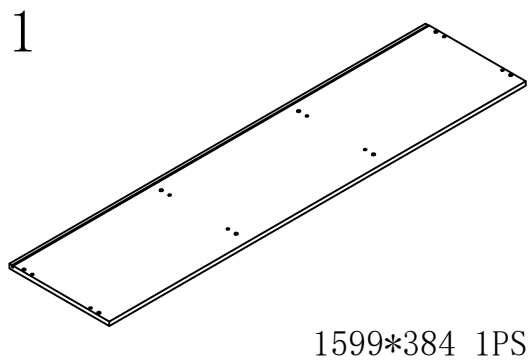
F 3.5*14

 28PCS

G 3.5*30

 4PCS

H 4*50

 4PCS

I 8*40

 4PCS

J

 5PCS

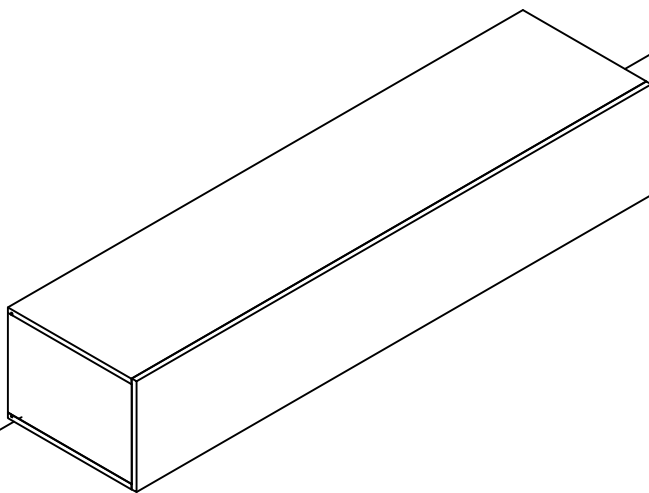


AA

AA:On the floor

If you want to put the cabinet on the floor, please assemble to step 6.

WALL

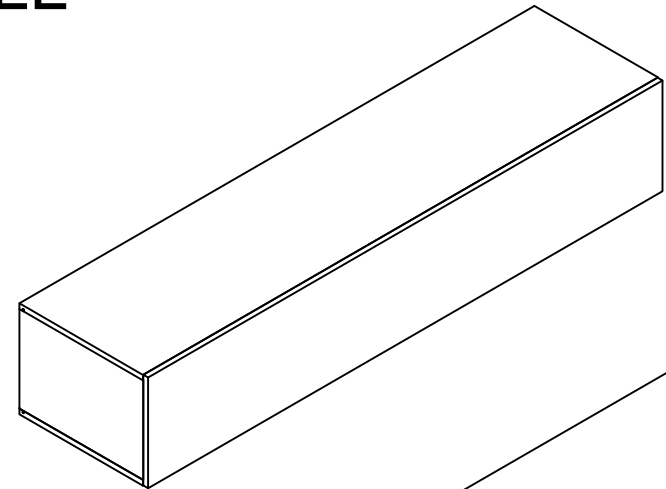


AB

AB:Mount on the wall

If you want to mount the cabinet on the wall, please skip step 2 and then assemble to end as original manual.

WALL

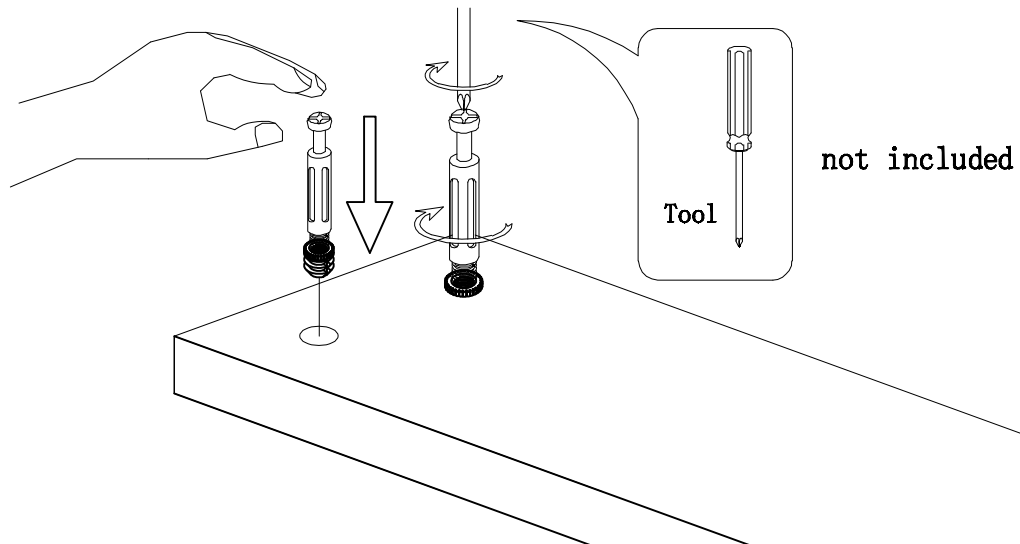




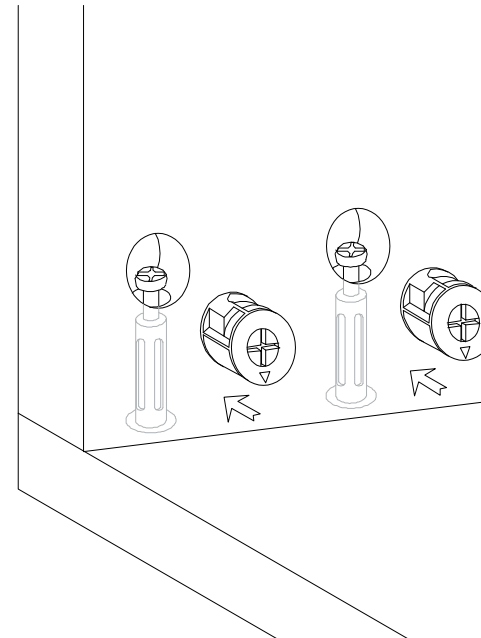
Hardware installation demonstration

NOTE: Please make sure "A" hardware tightened and can't be pulled out!

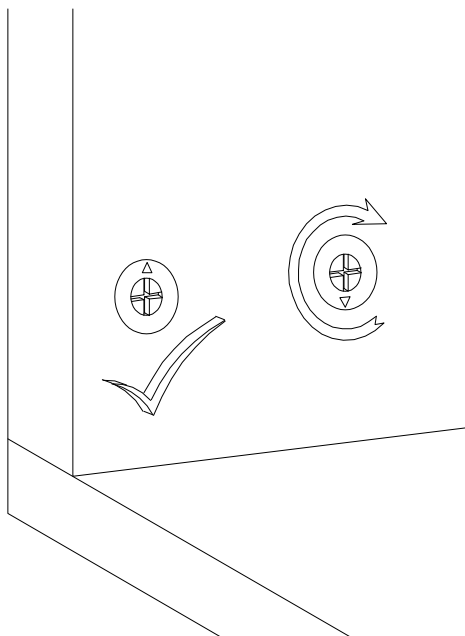
I



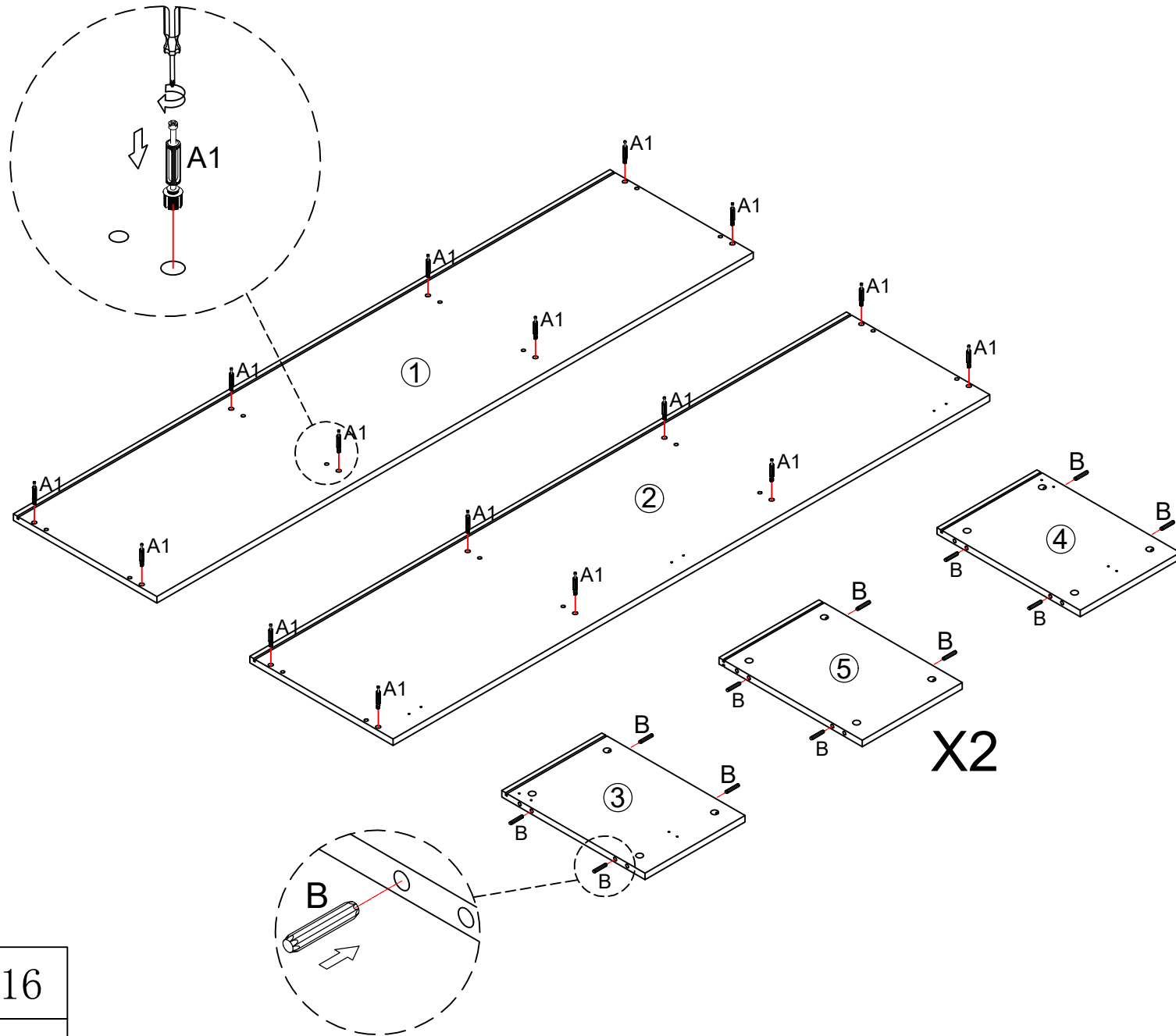
II


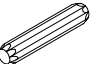


III

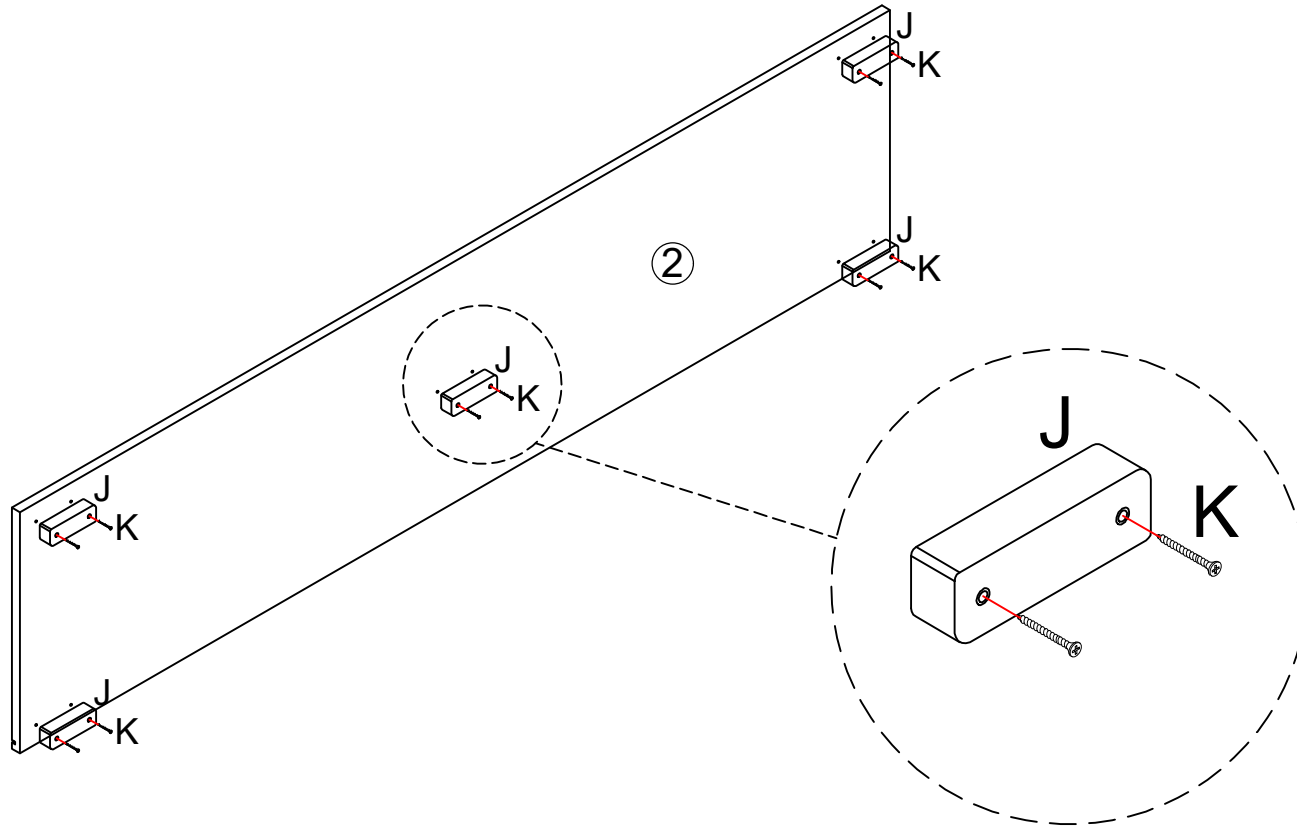


1



	A1*16
	B*16

2



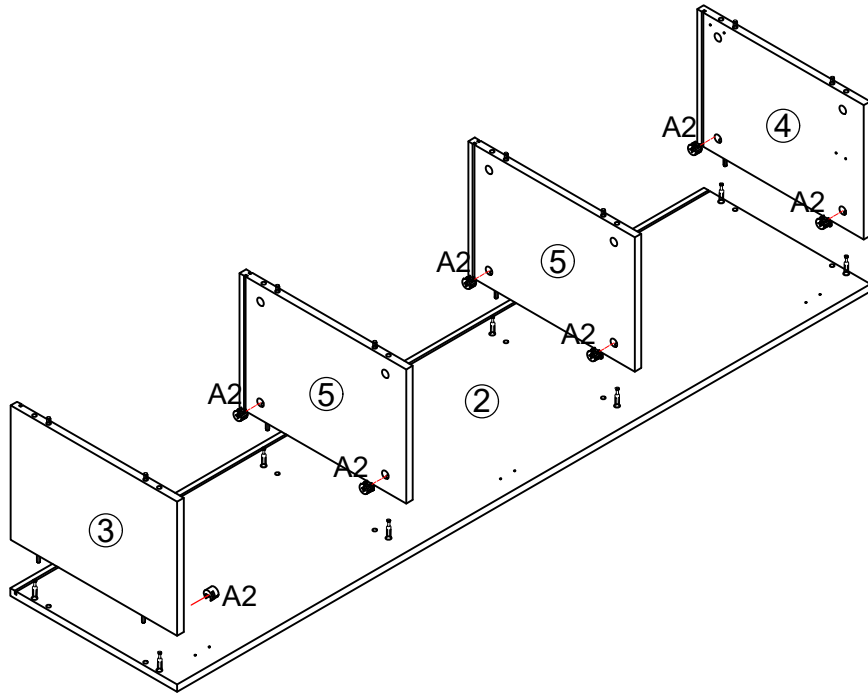
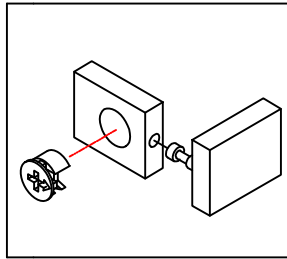
J*5



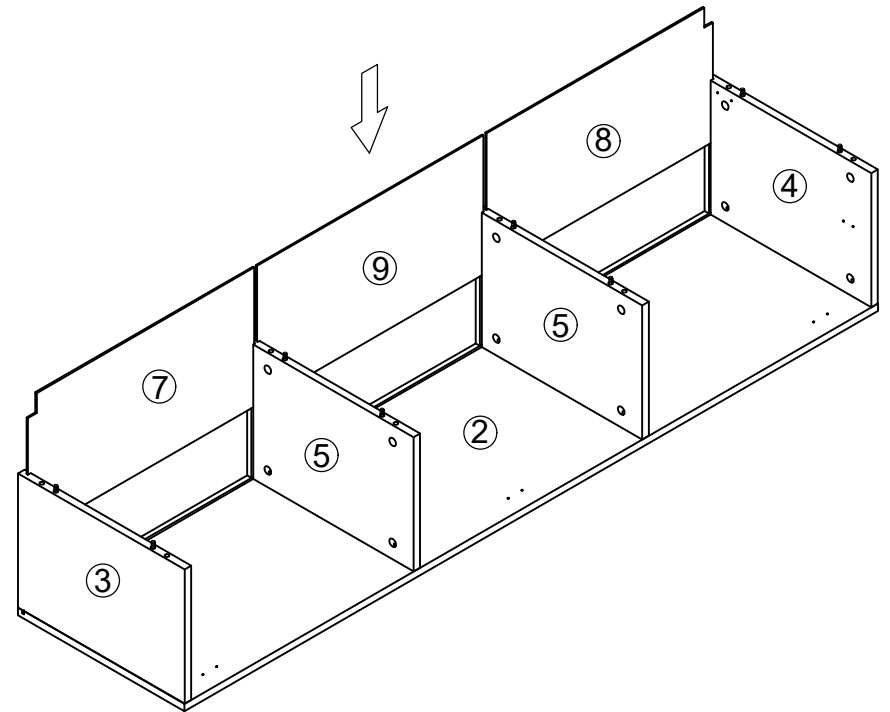
K*10

3

Make sure the arrow on the screw align to the hole on the side.

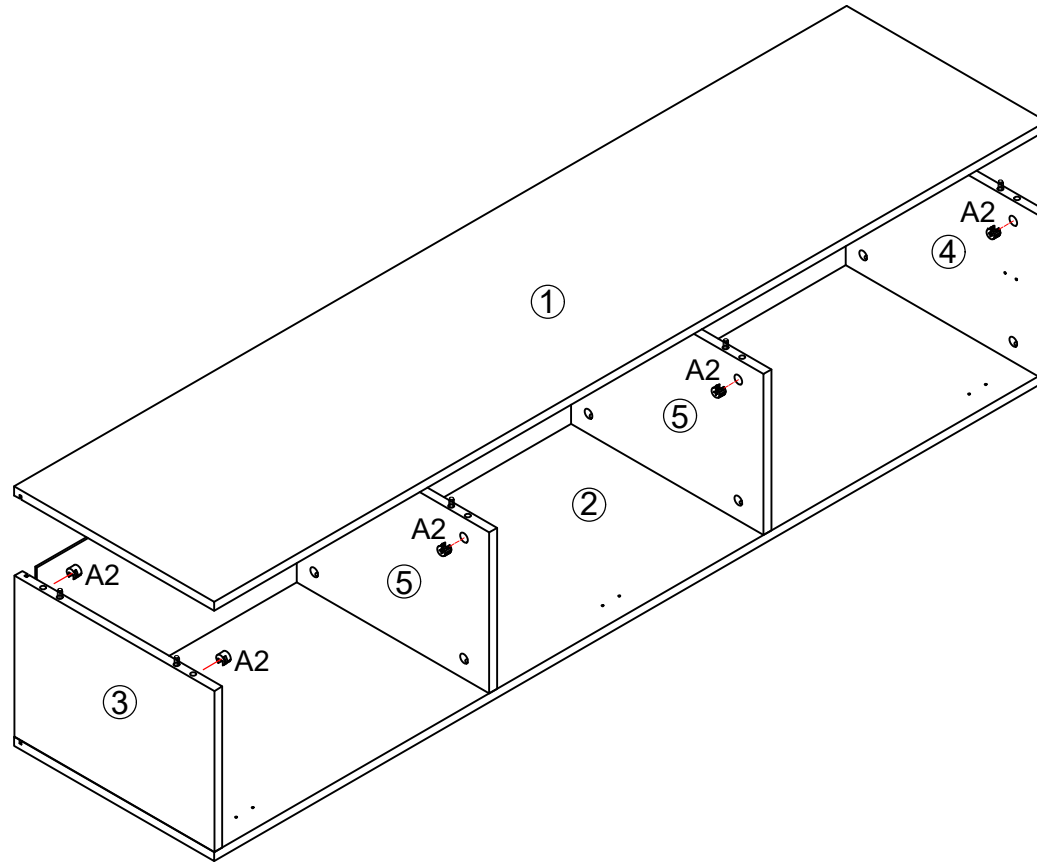


4



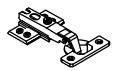
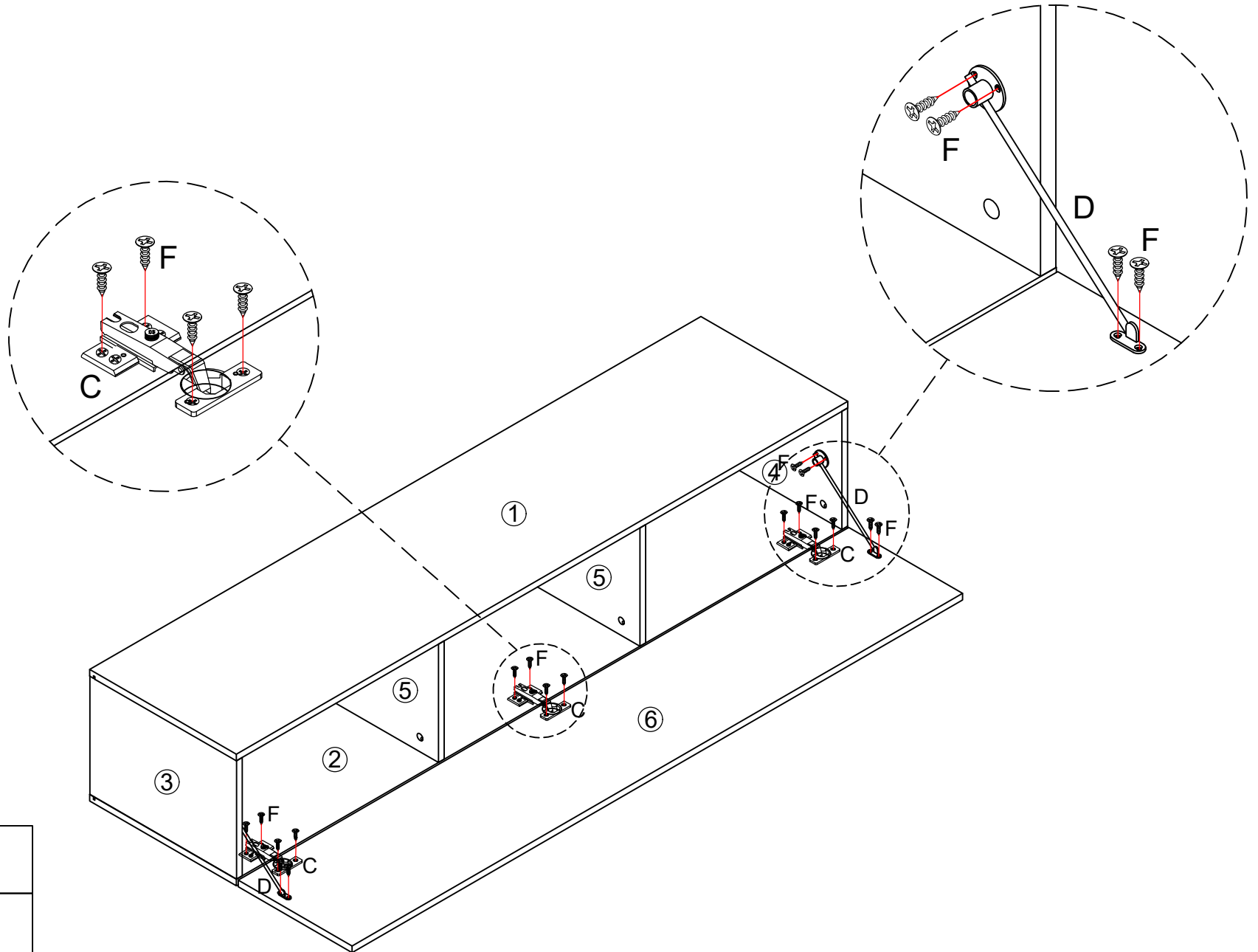
A2*8

5



A2*8

6



C*3

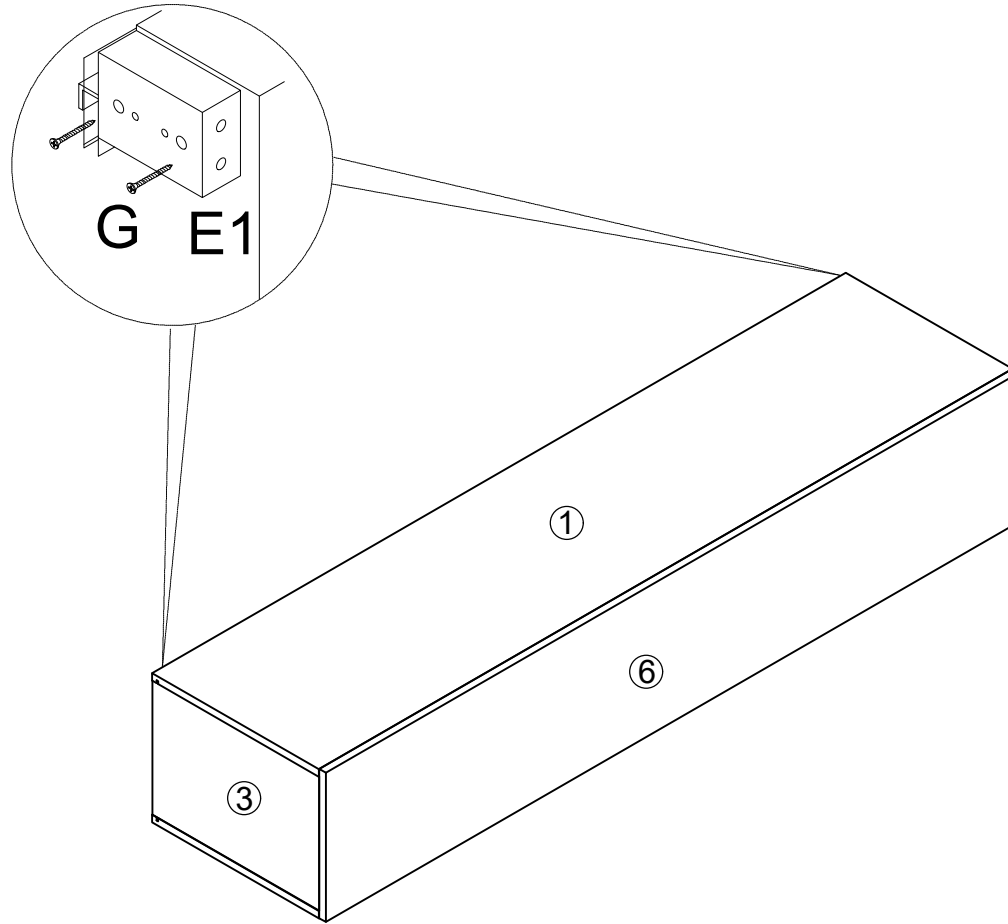


D*2



F*20

7

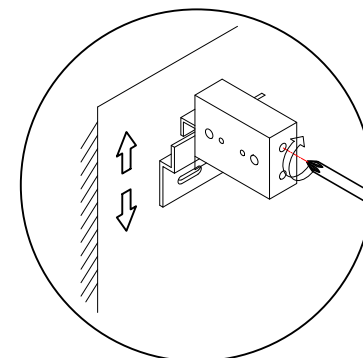
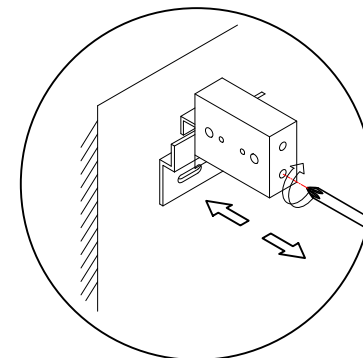
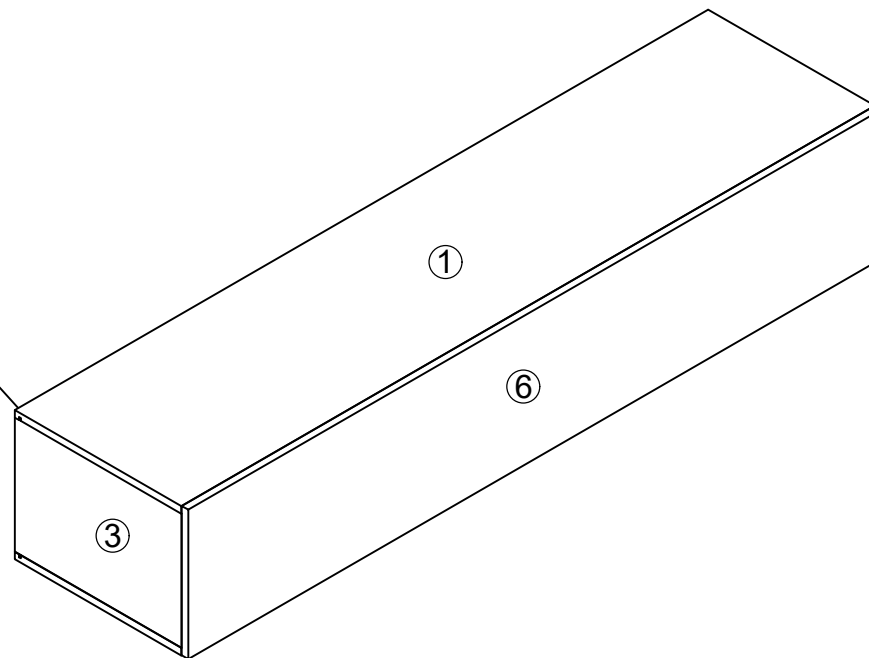
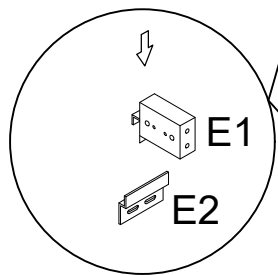
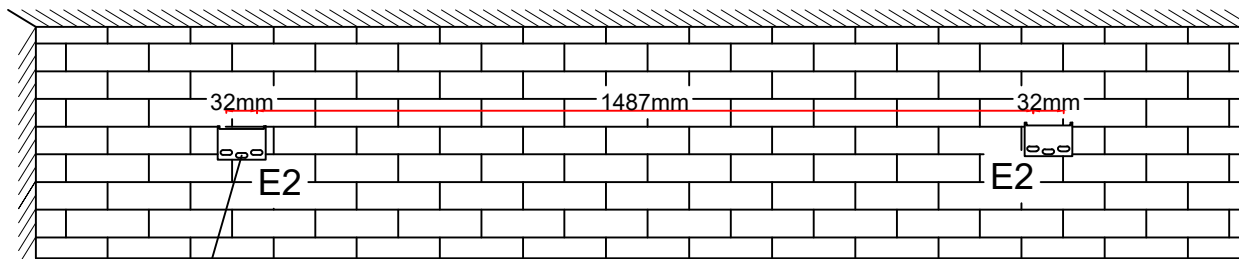
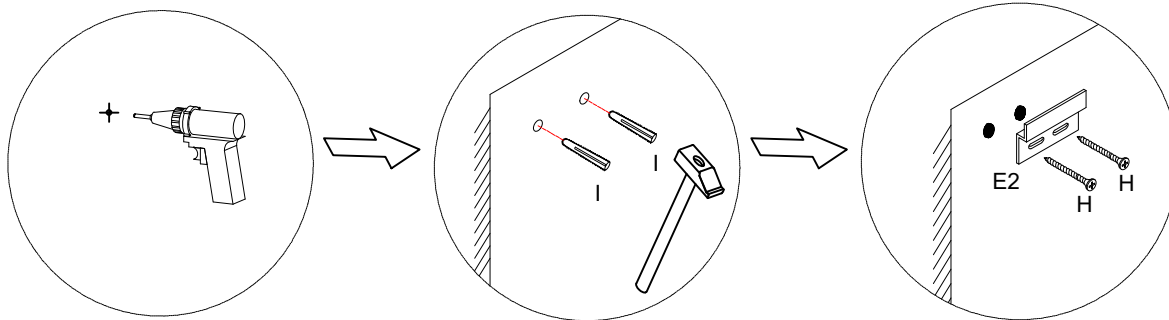


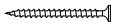


E1*2



G*4

8



	H*4
	I*4
	E2*2