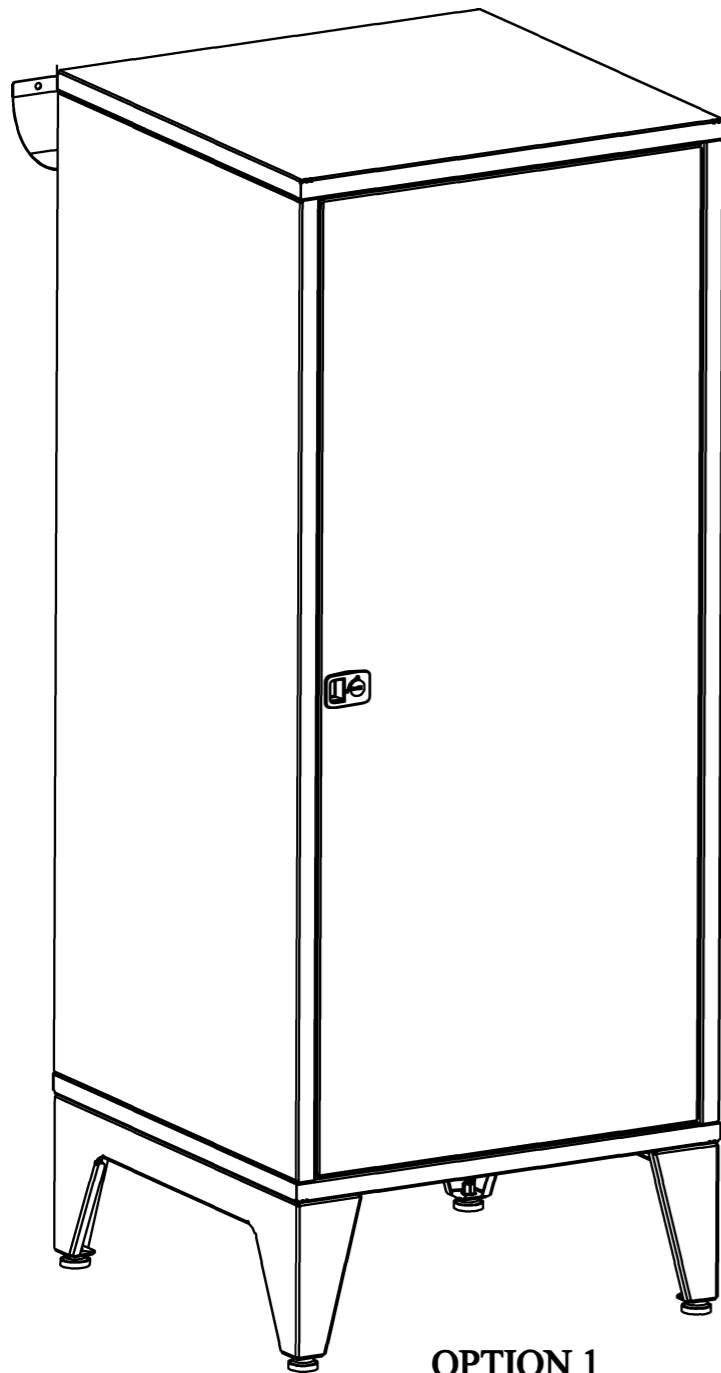
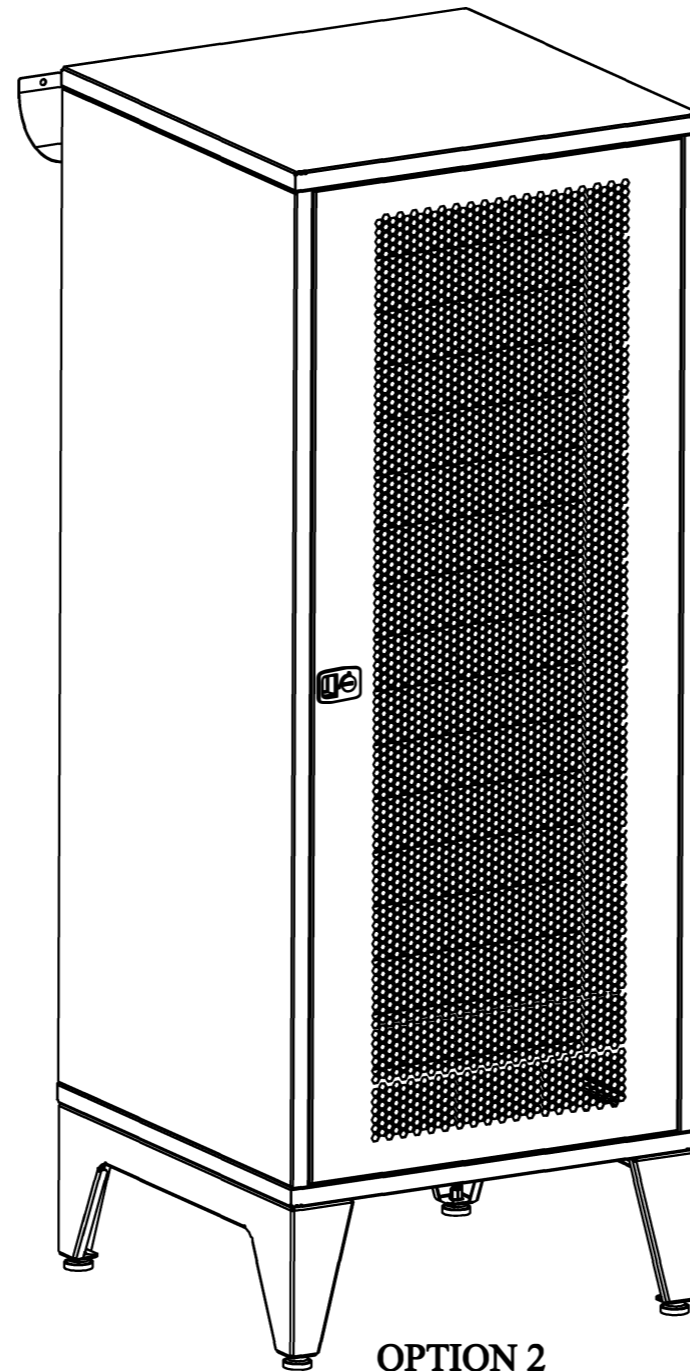


Ziglat Series



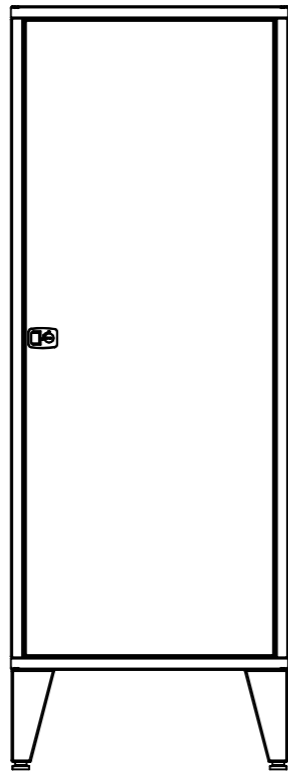
OPTION 1



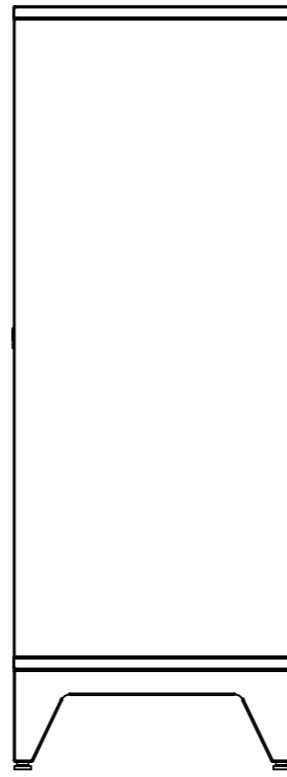
OPTION 2



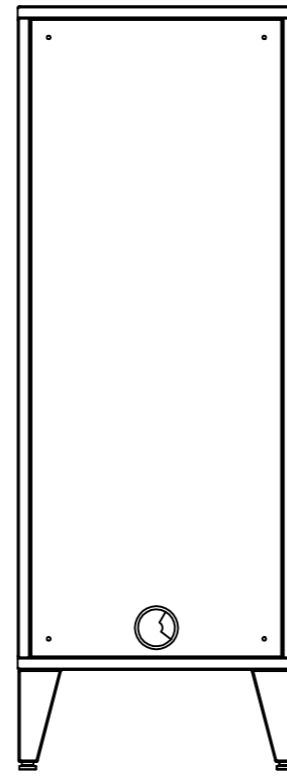
OPTION 3



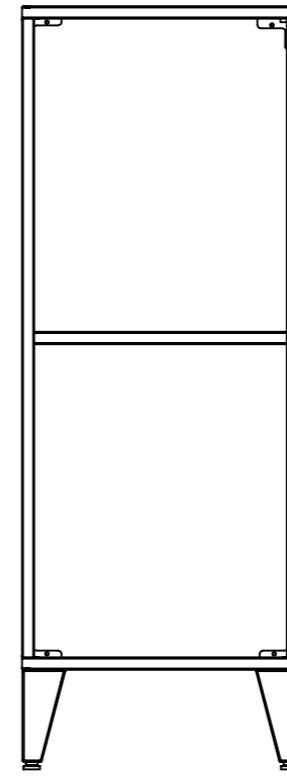
FRONT VIEW



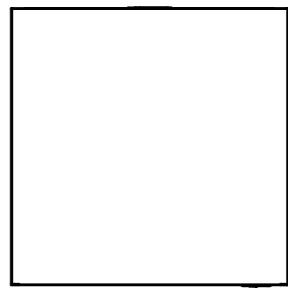
SIDE VIEW



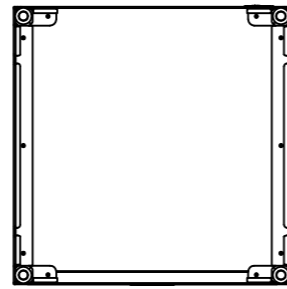
REAR VIEW



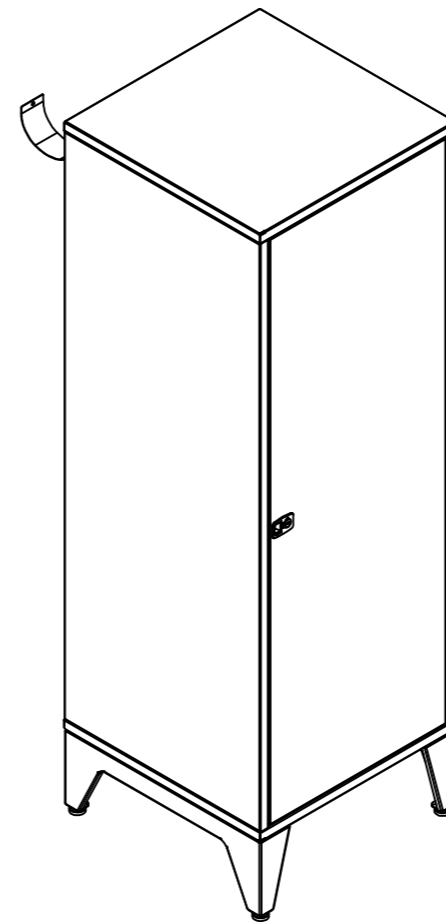
FRONT INSIDE VIEW



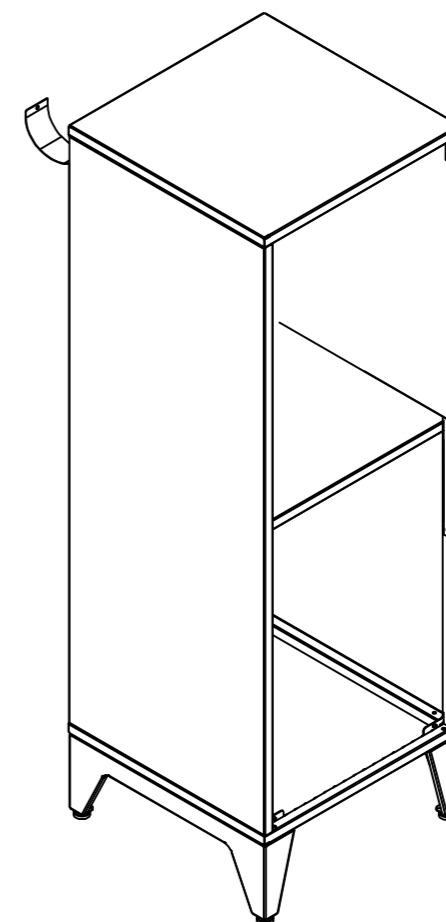
TOP VIEW



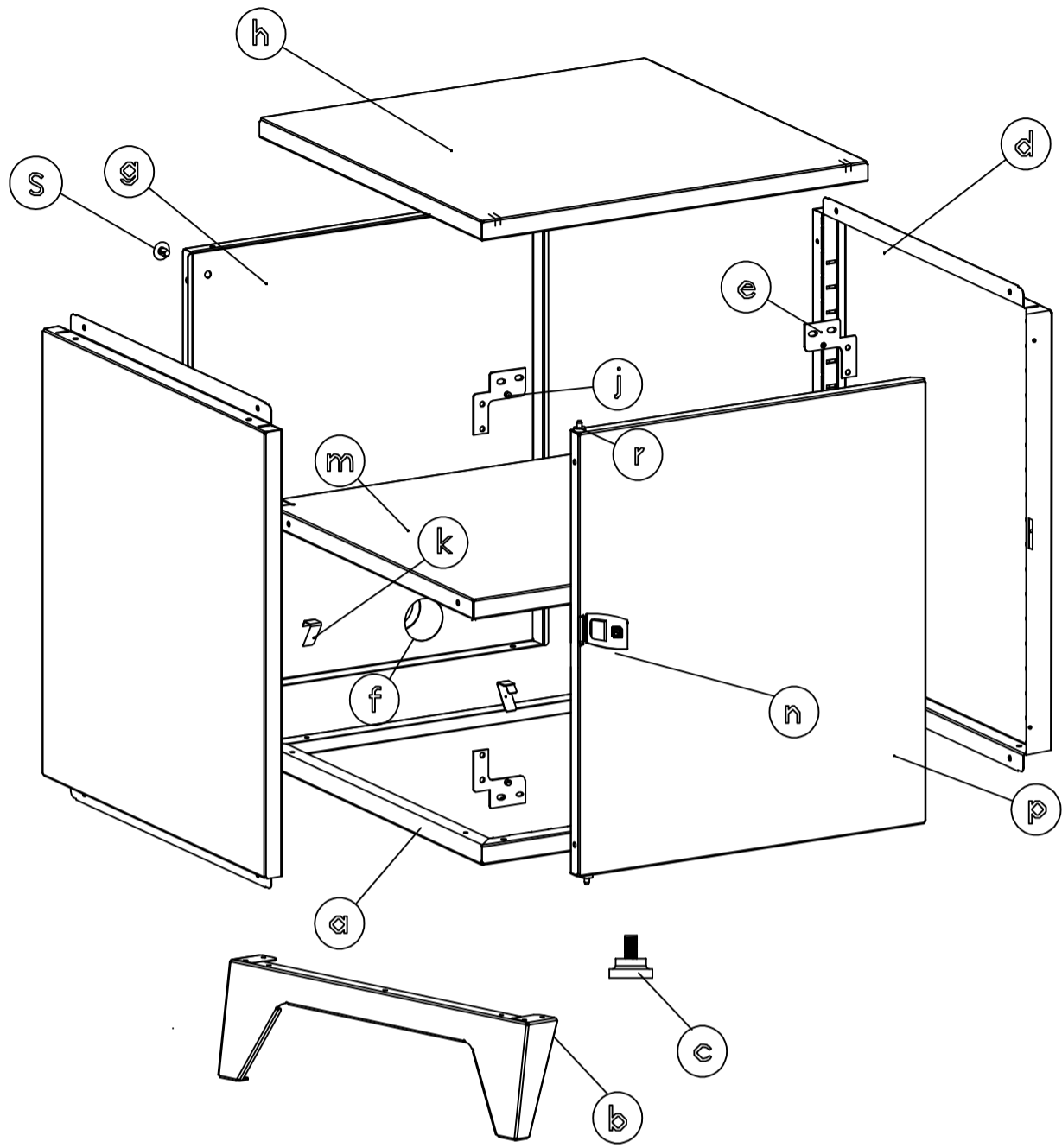
BOTTOM VIEW

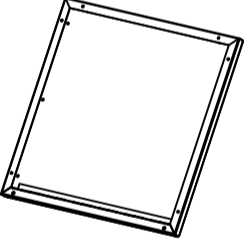
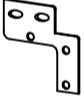

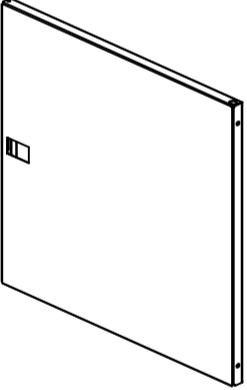
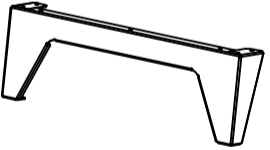

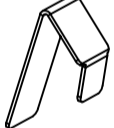
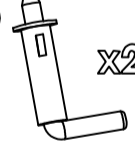

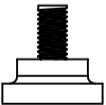
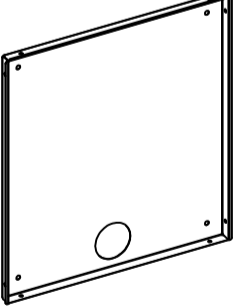
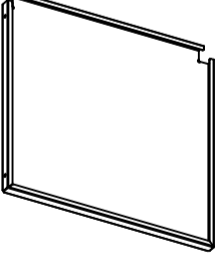
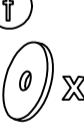
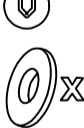

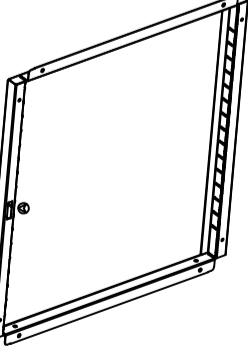
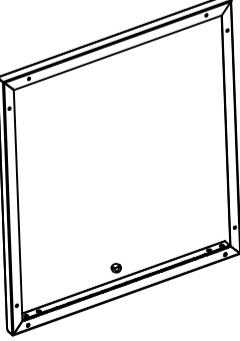
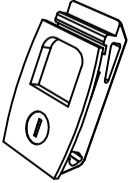









ISOMETRIC VIEW

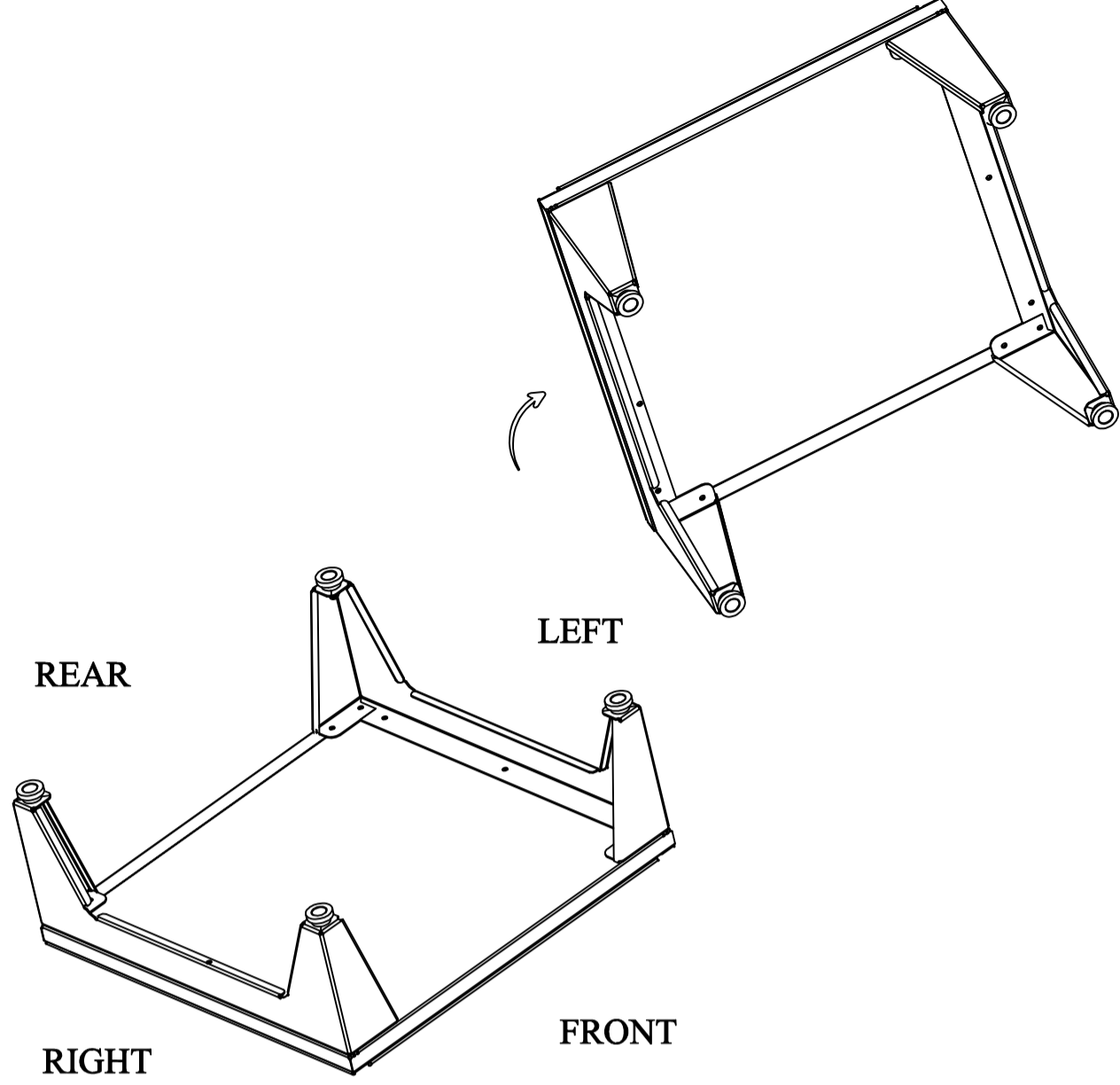


ISOMETRIC INSIDE VIEW

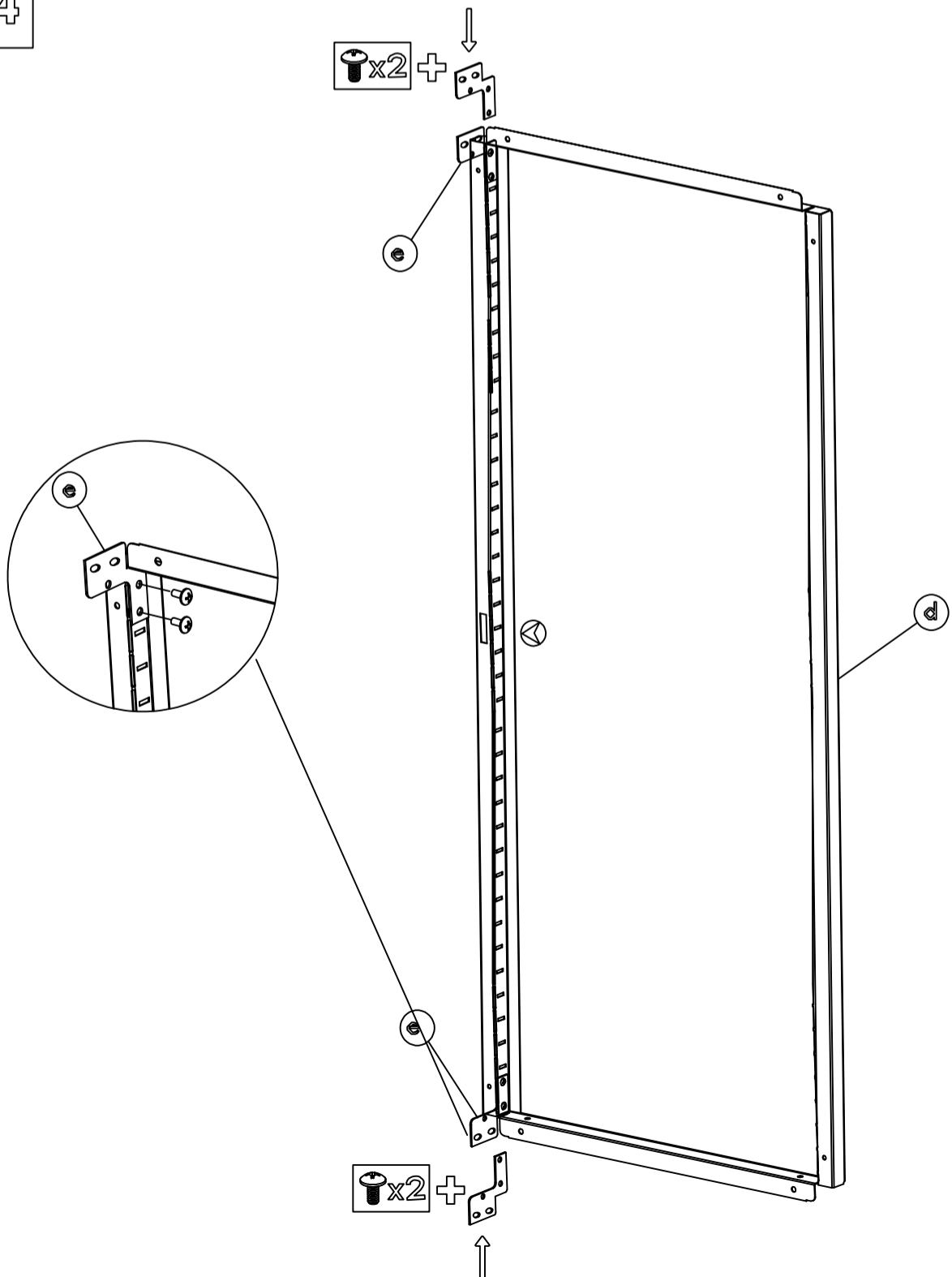


 <p>a x1</p>	 <p>e x4</p>	 <p>j x2</p>	 <p>p x1</p>
 <p>b x2</p>	 <p>f x1</p>	 <p>k x4</p>	 <p>r x2</p>  <p>s x4</p>
 <p>c x4</p>	 <p>g x1</p>	 <p>m x1</p>	 <p>t x1</p>  <p>u x2</p>  <p>v x1</p>
 <p>d x2</p>	 <p>h x1</p>	 <p>n x1</p>	 <p>y x1</p>  <p>z x1</p>  <p>q x1</p>
 <p>w x1</p>  <p>x x28</p>  <p>y x14</p>  <p>z x14</p>			

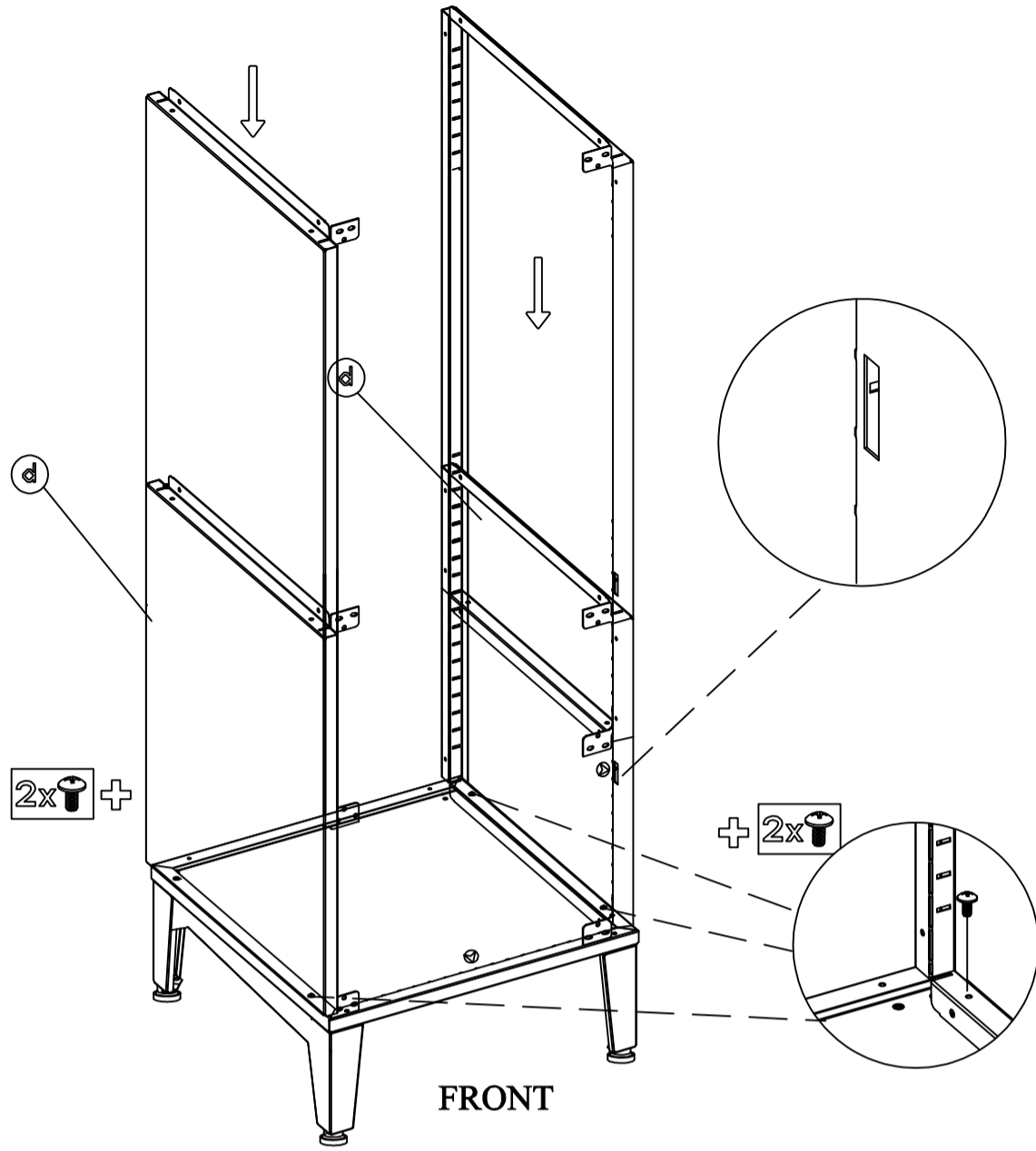
3



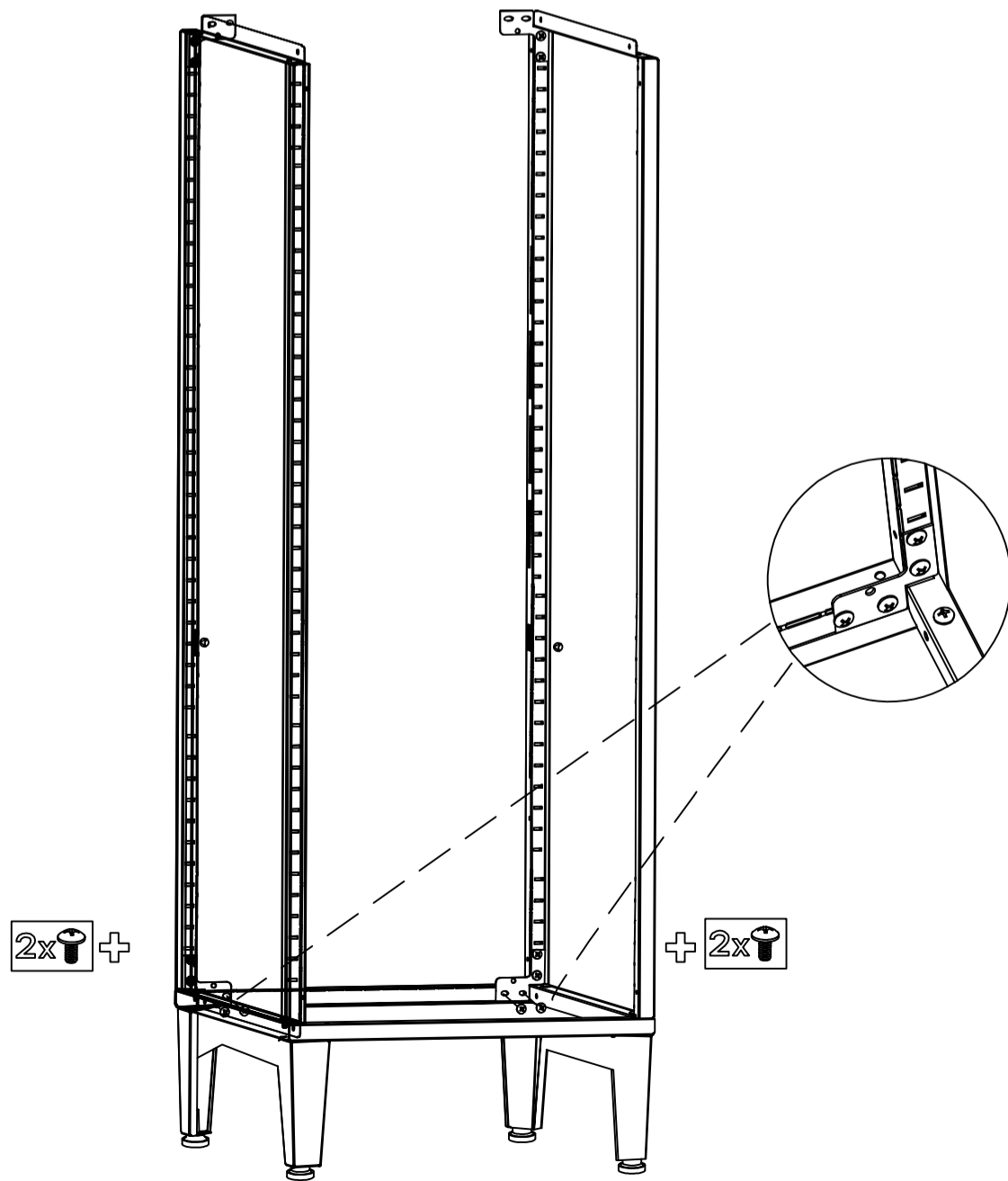
4

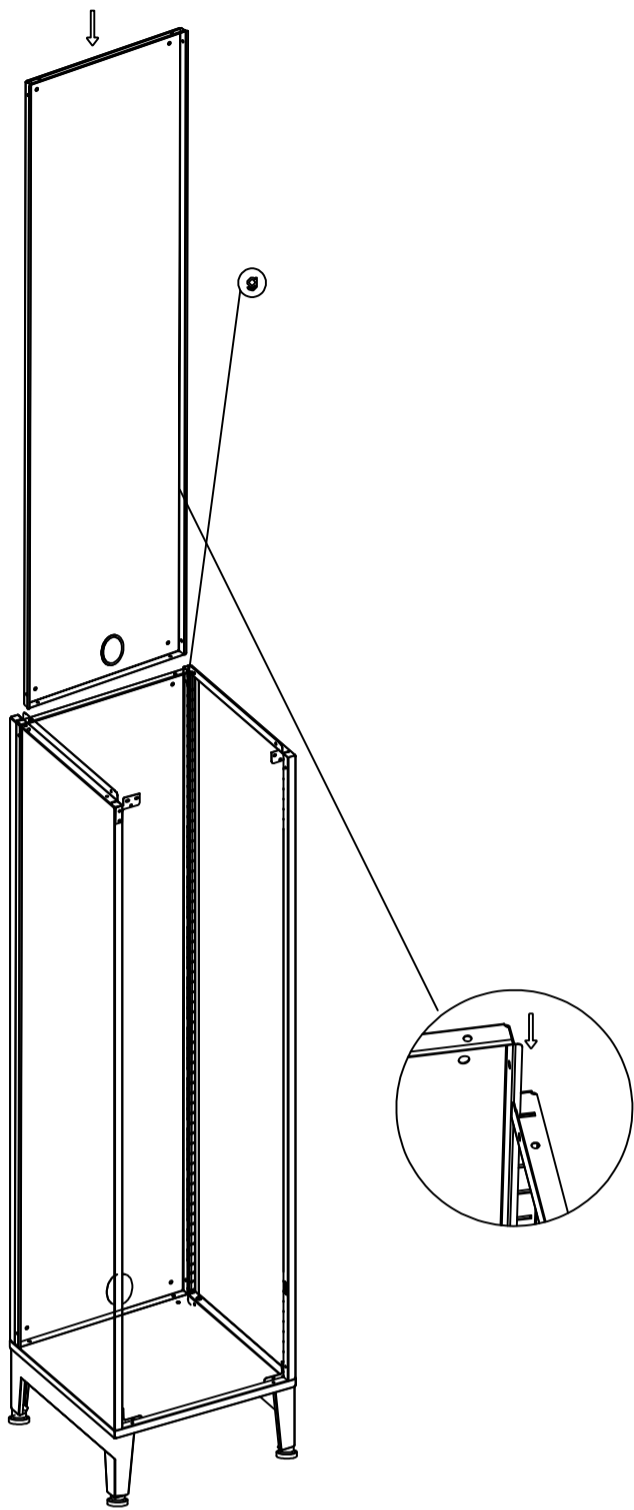
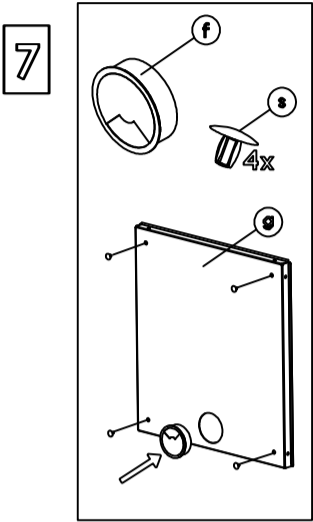


5

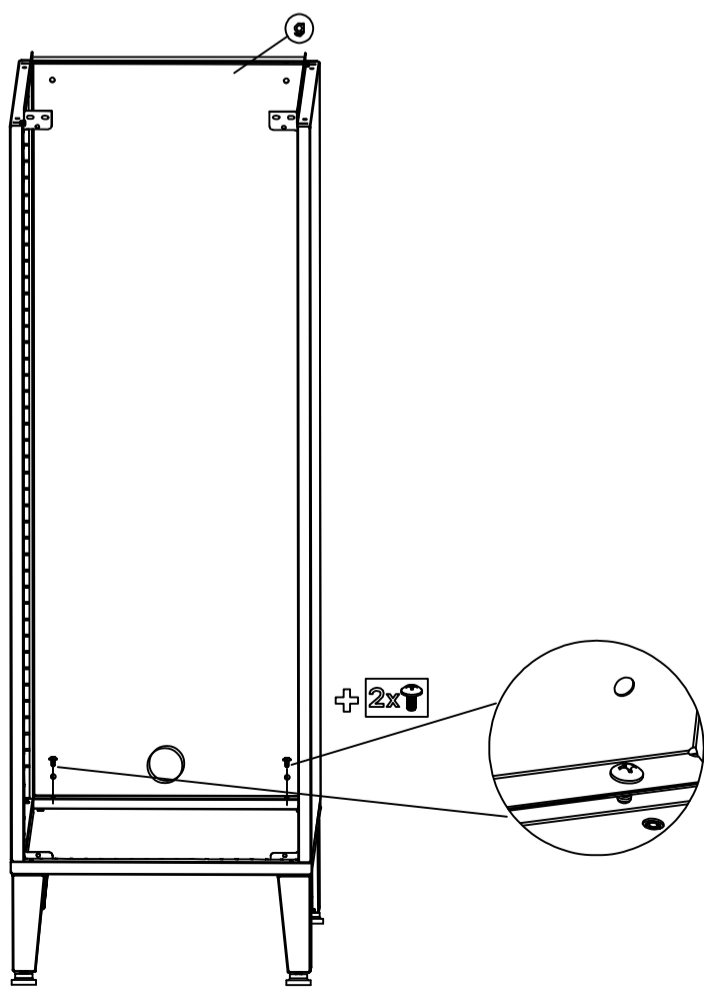


6

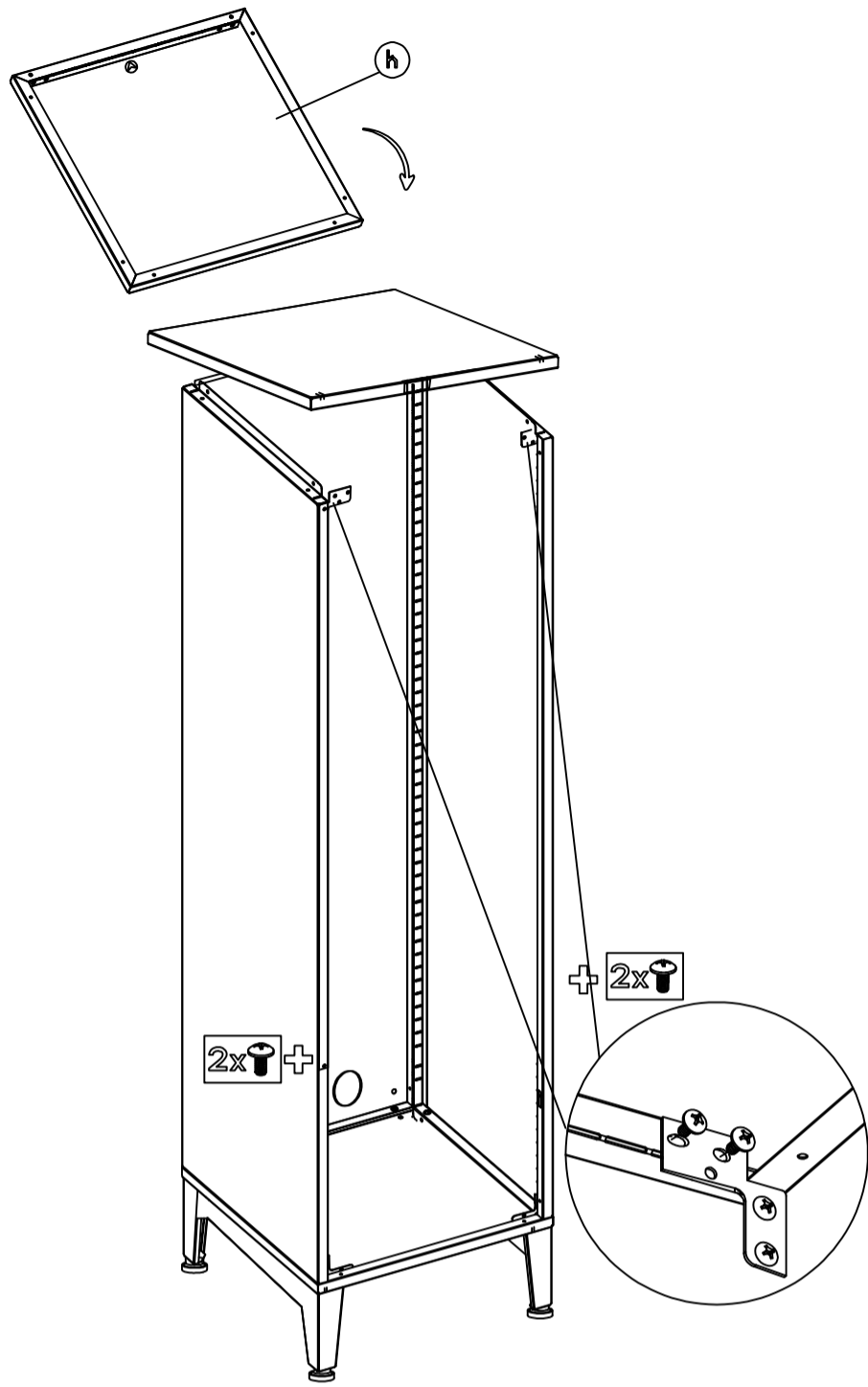




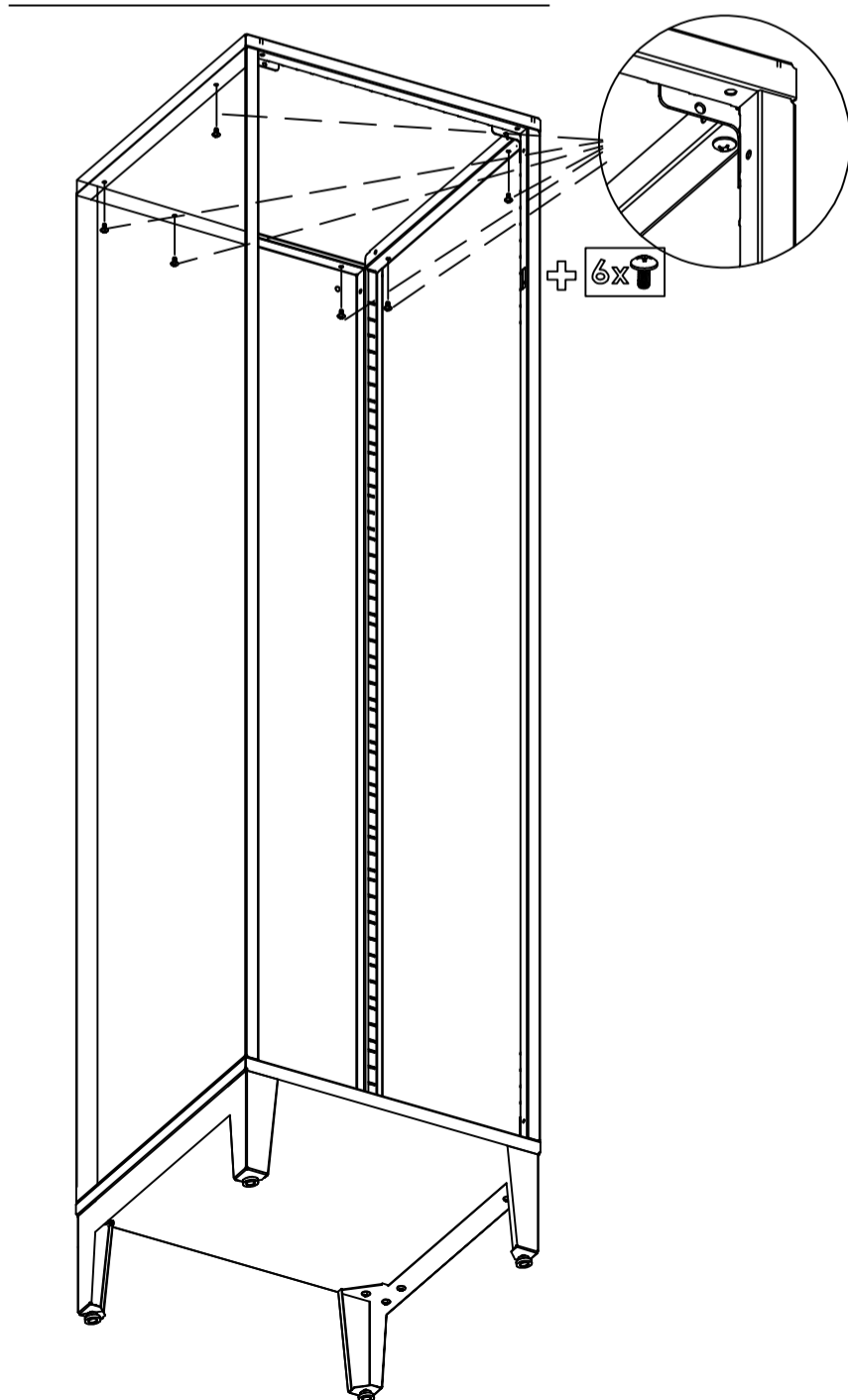
8



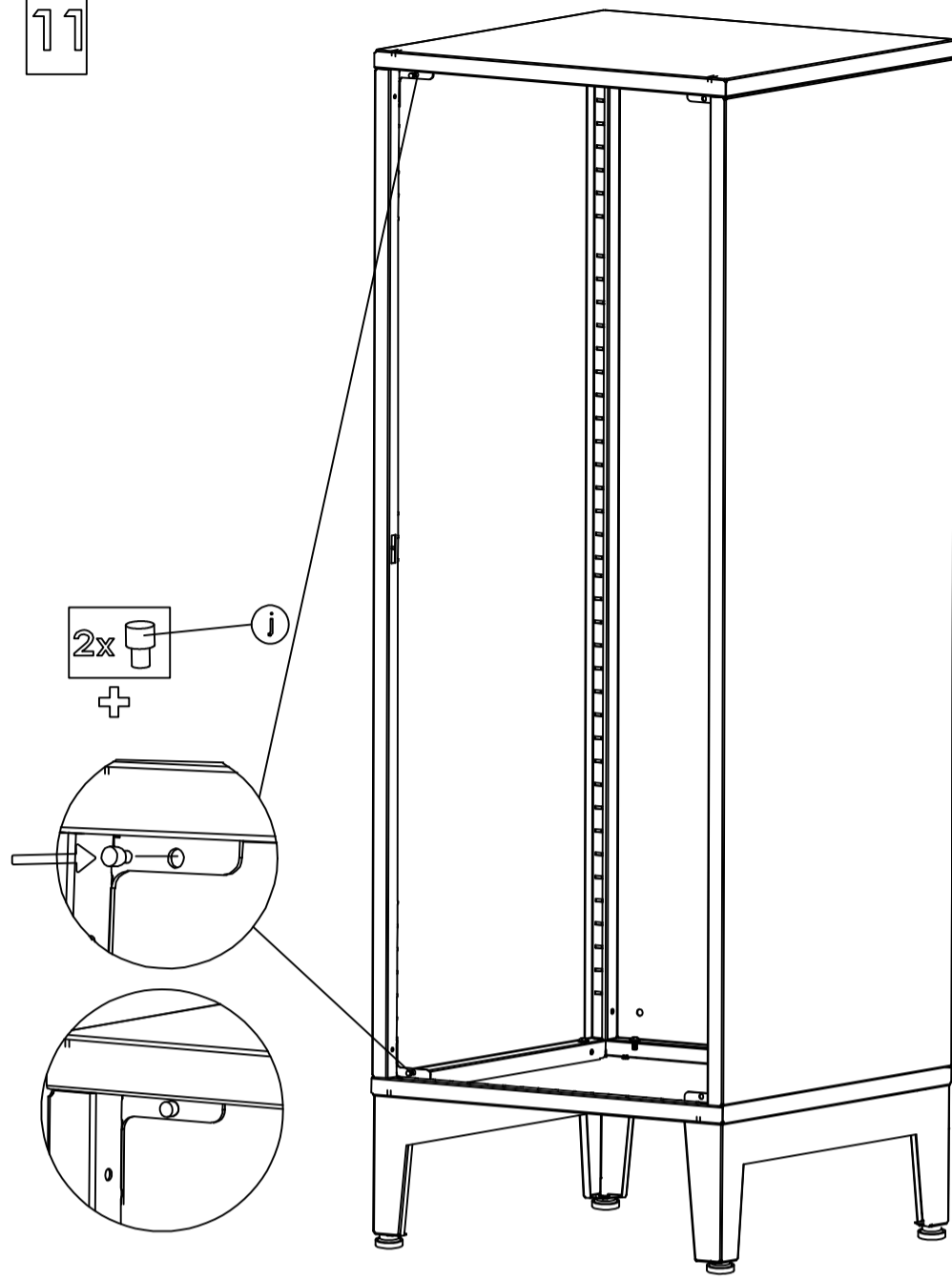
9



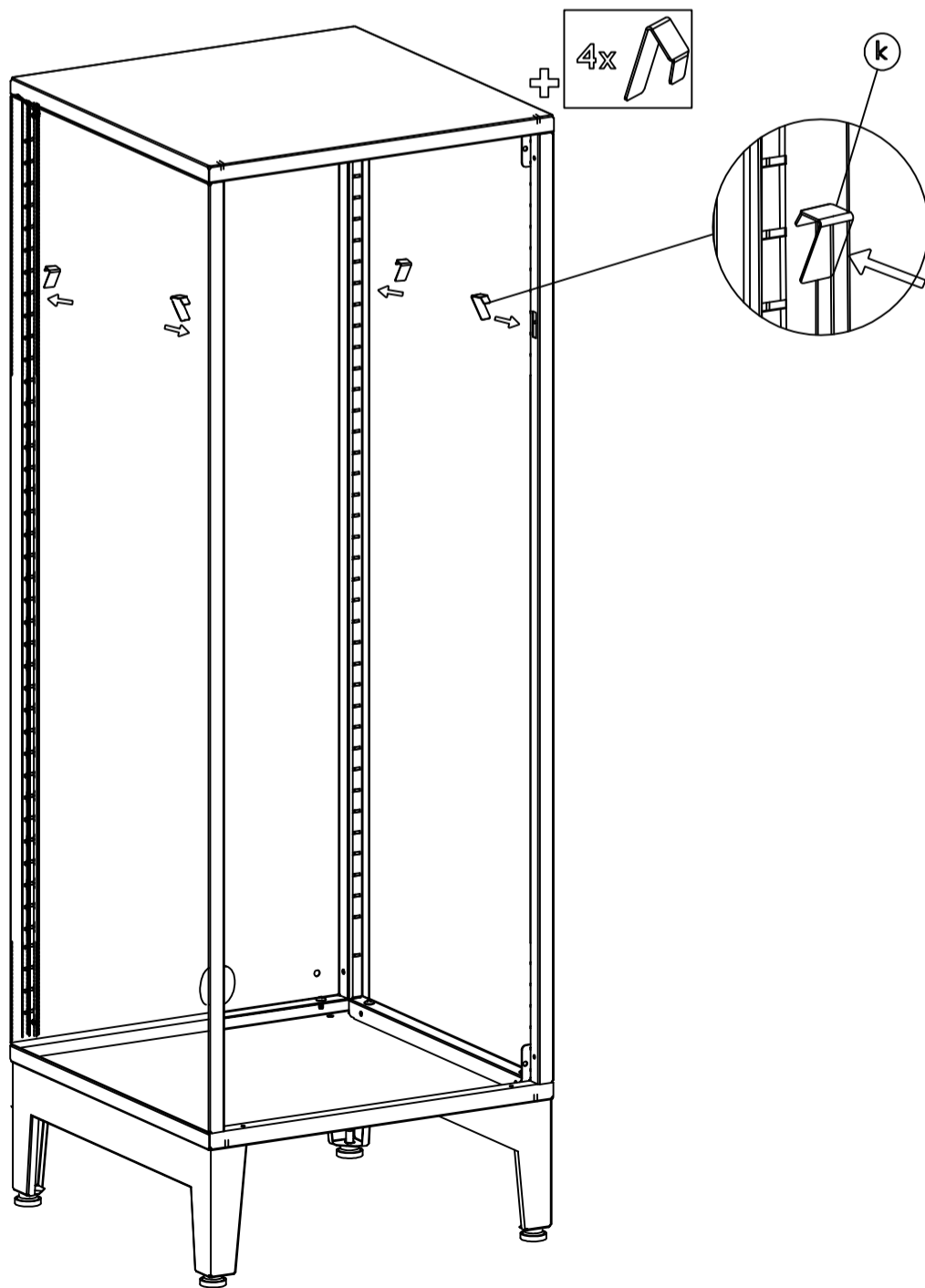
10



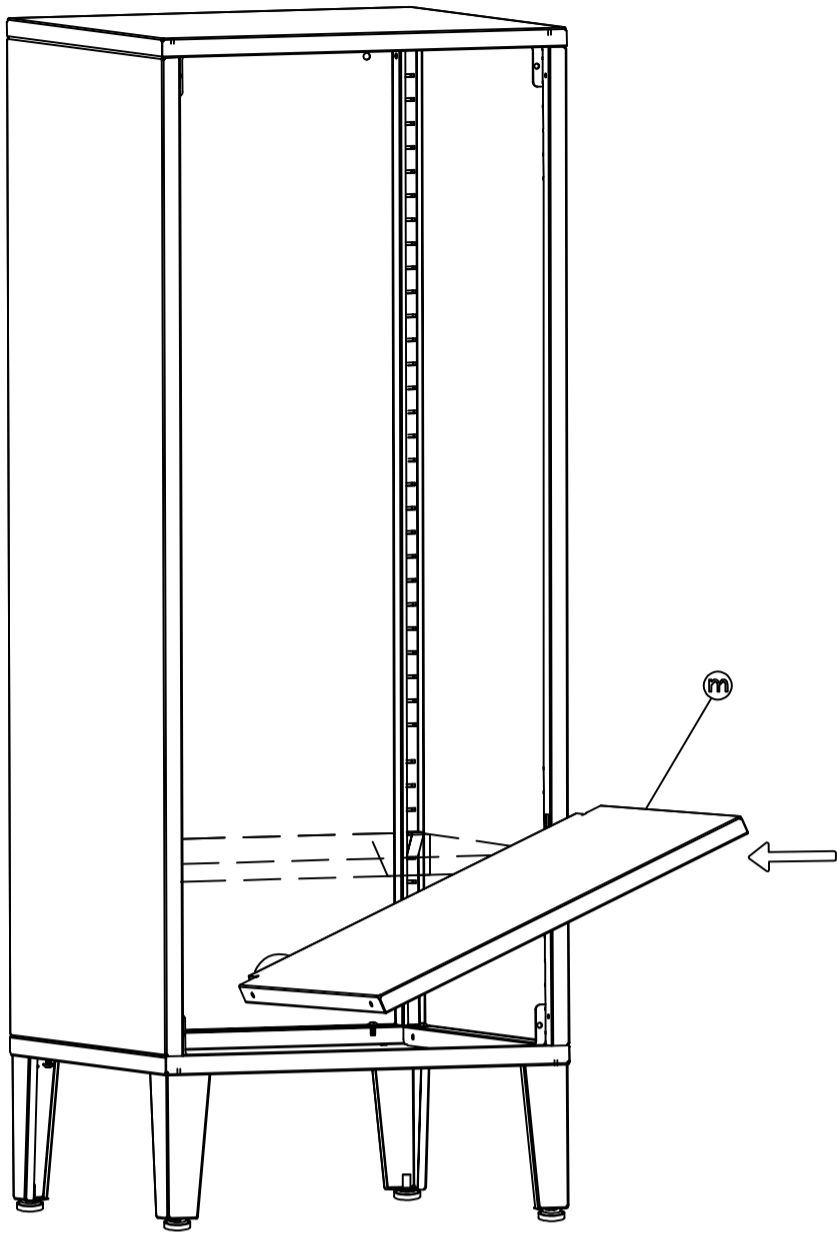
11



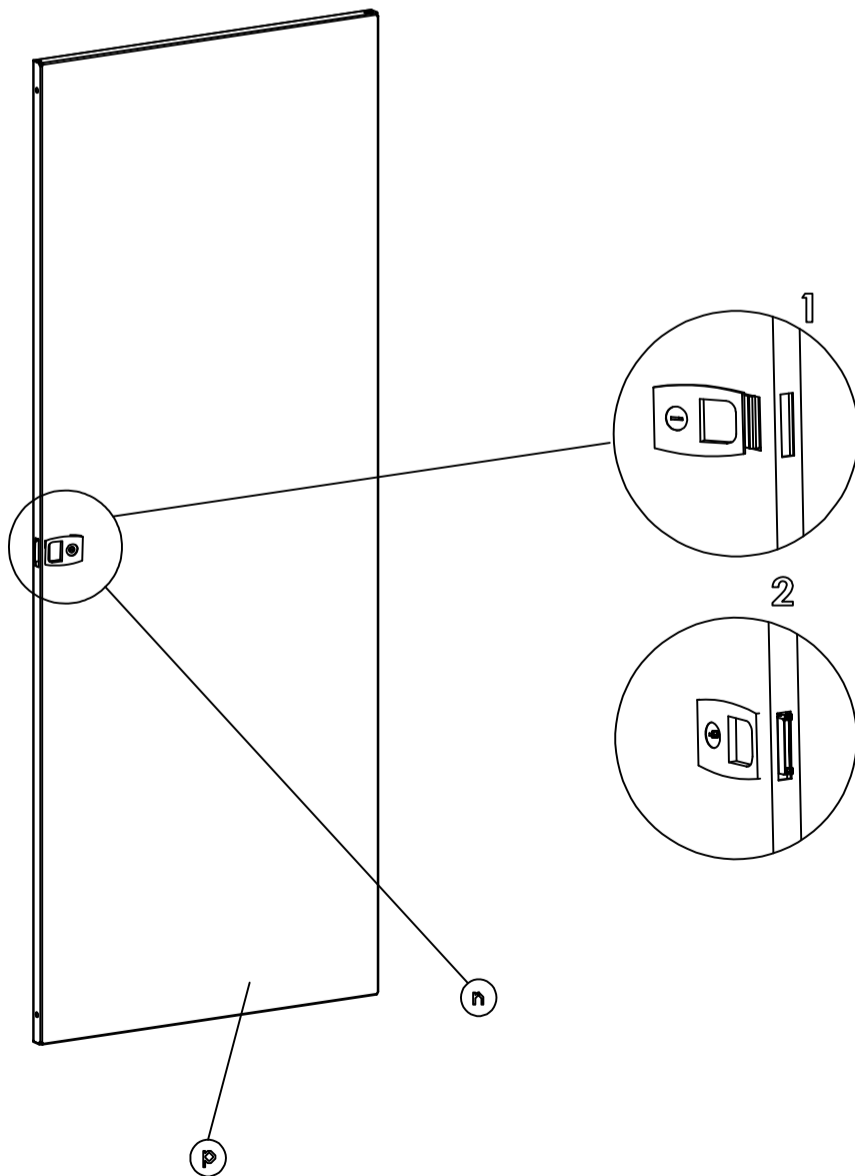
12



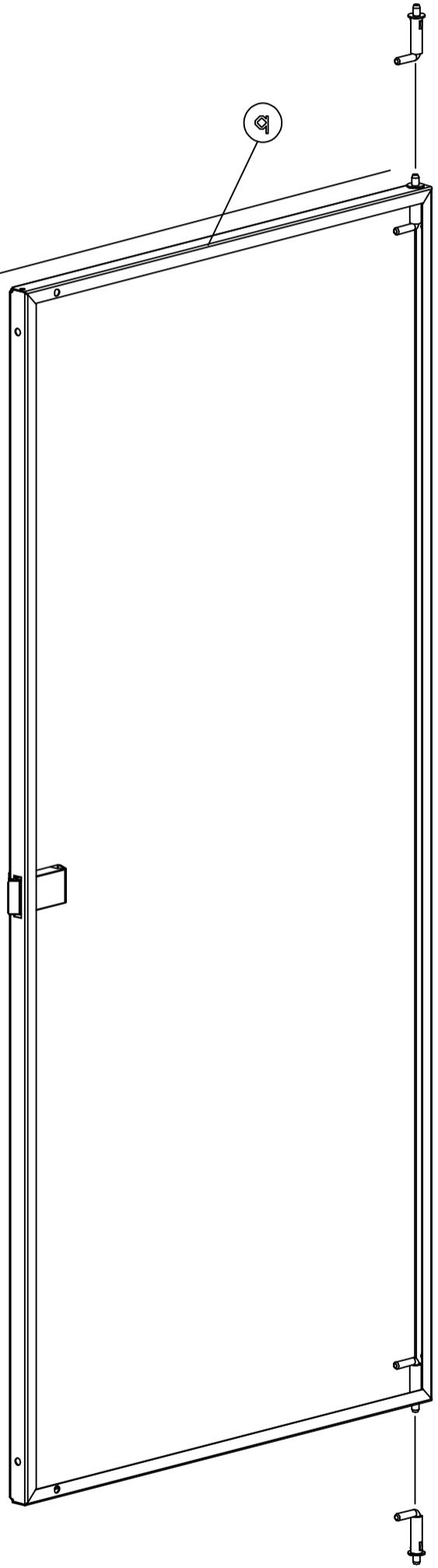
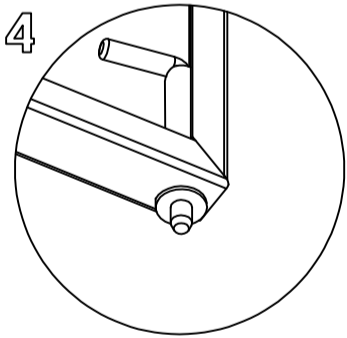
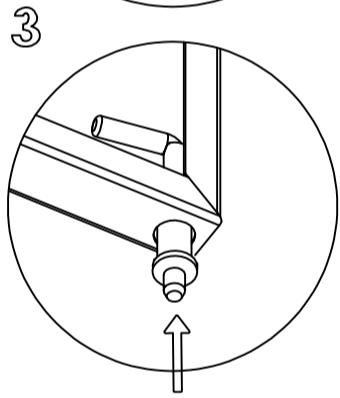
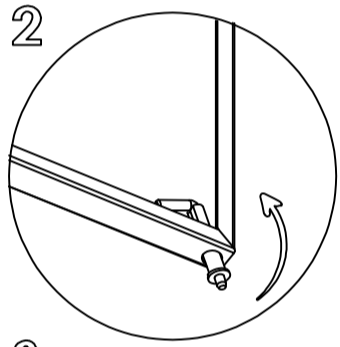
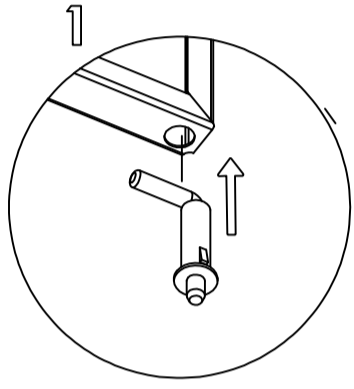
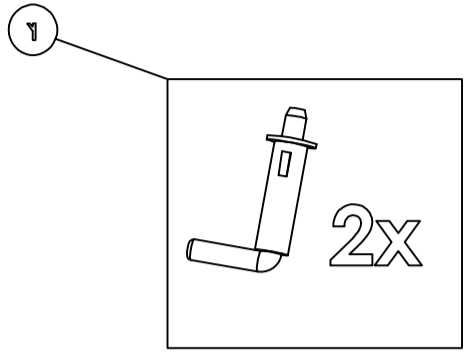
13



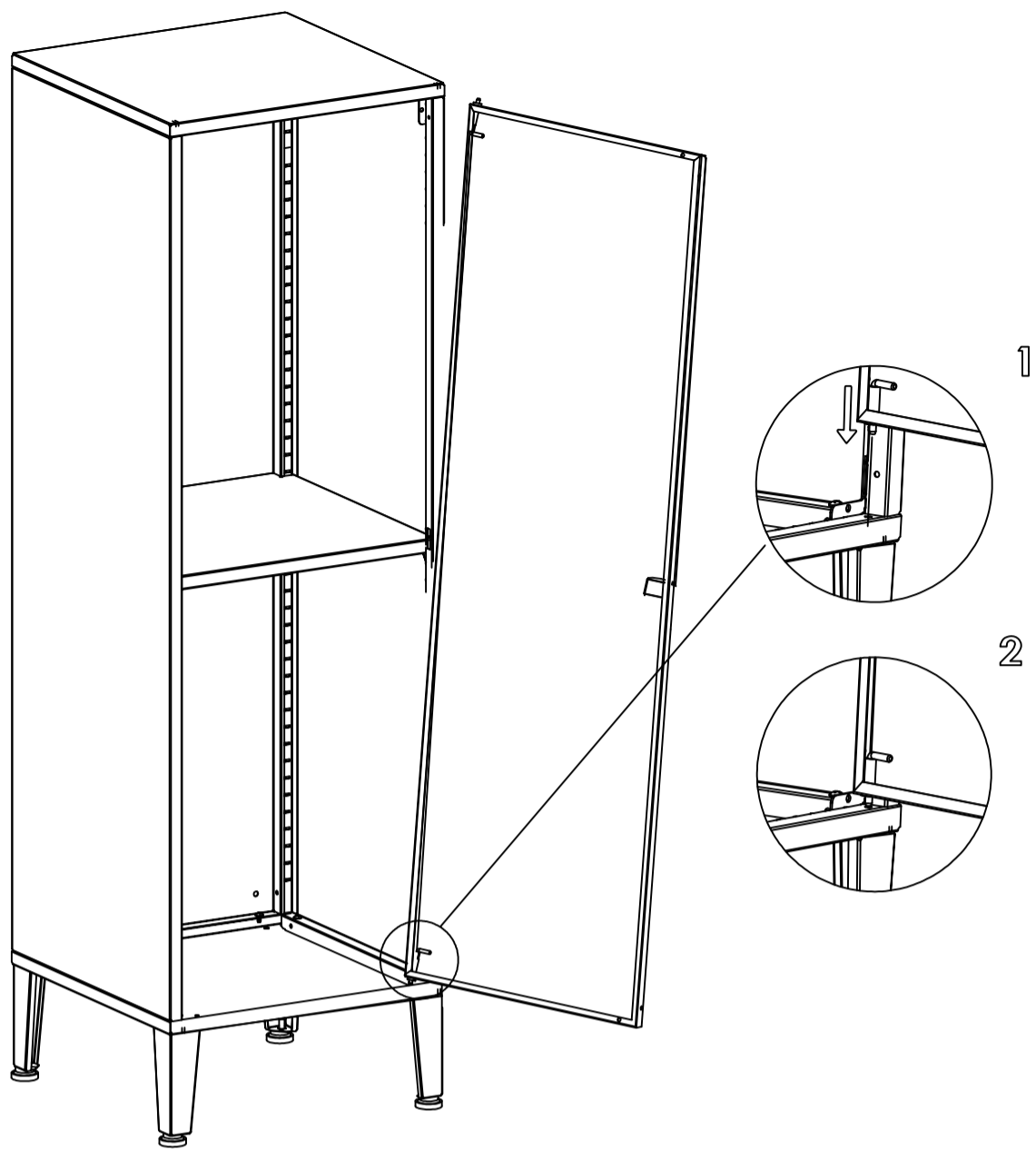
14



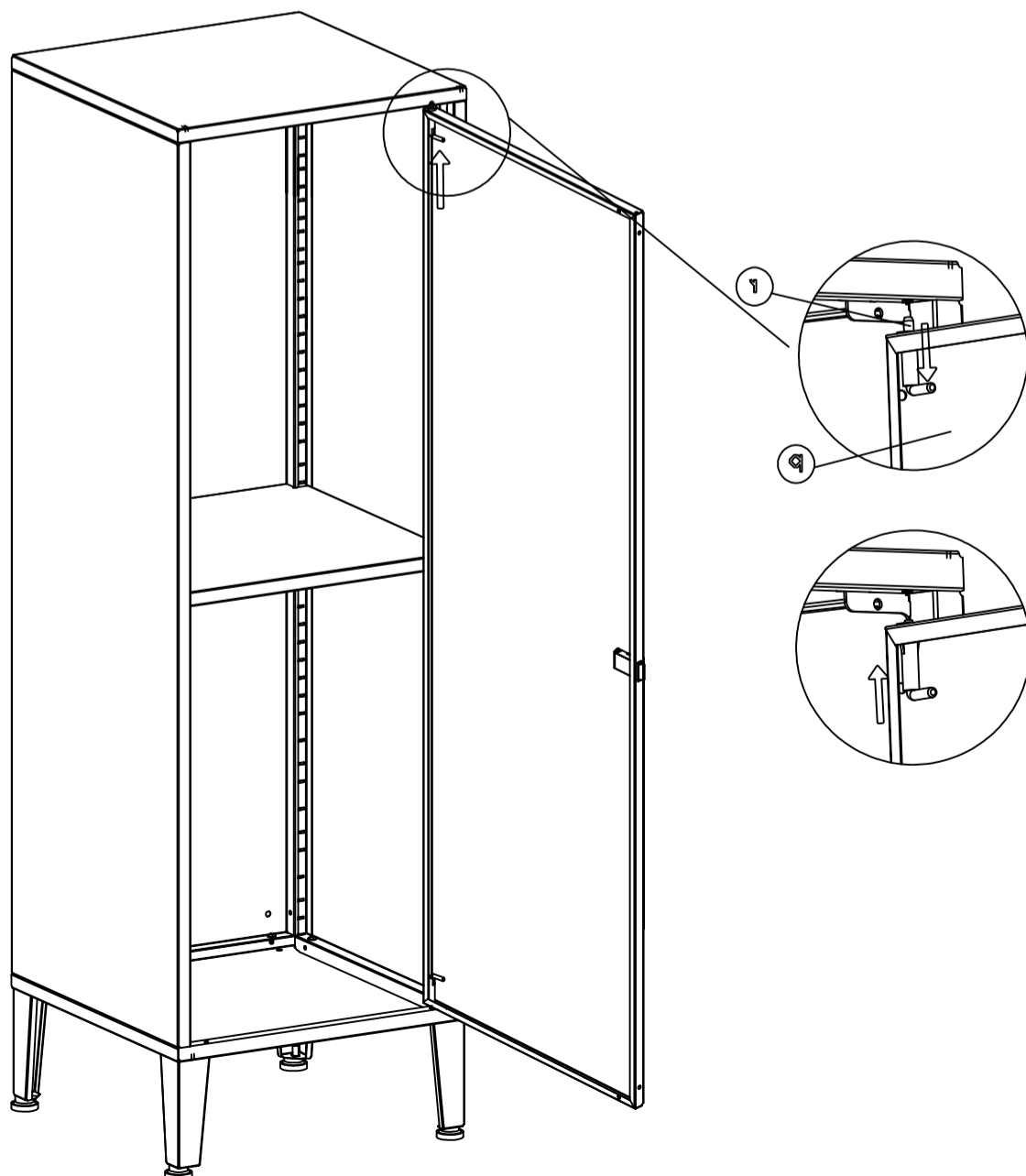
15



16



17



18

