

ASSEMBLY INSTRUCTIONS

TOOLS REQUIRED:

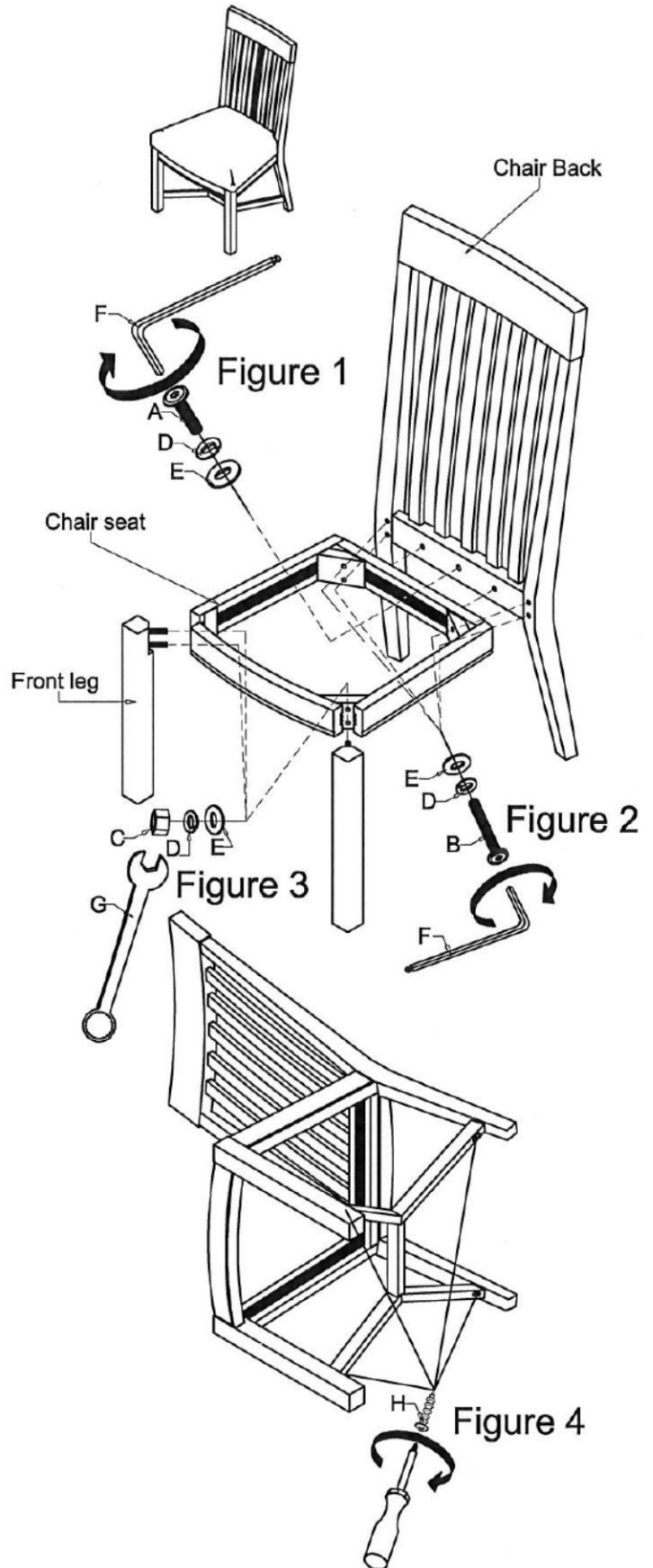
- Allen Wrench (supplied, part # F)
- Spanner Wrench (supplied, part # G)
- Phillips Head Screwdriver (Not Provided)

BEFORE YOU START:

1. Check the parts against the parts list to make sure all items are present.
2. Assemble your furniture on a soft, flat surface to avoid scratching the finish.
3. **CAUTION:** Do not over tighten screws, nuts or bolts during assembly.
4. Your furniture may require occasional tightening.

INSTRUCTIONS:

1. Place the Chair Back facing upward on a soft and flat surface. Attach chair seat to the chair back, using Flat Washer (E), Lock Washer (D), Bolt (A) for center the insert and Bolts (B) for in the corners. Tighten with Wrench (F). (See Figure 1 & 2)
2. Attach the front leg to the front corner block of the chair seat, using Flat Washer (E), Lock Washer (D), Nuts (C) and tighten all nuts with Wrench (G). (See Figure 3)
3. Repeat the process for the other front leg.
4. Turn the chair to attach brace, using Round head screw (H) and Phillips head screwdriver (not provided). (See Figure 3)
5. Tighten all bolts and nuts before use.



No.	Hardware List	Q'ty
A	 Bolt Ø5/16"x1-1/2"	1
B	 Hex Nut Ø5/16"	4
C	 Bolt Ø5/16"x3-1/2"	4
D	 Lock Washer Ø5/16"	9
E	 Flat Washer Ø5/16"	9
F	 Allen Wrench 5mm	1
G	 Spanner Wrench 12mm	1
H	 Round head screw Ø8x1-1/4"	4