

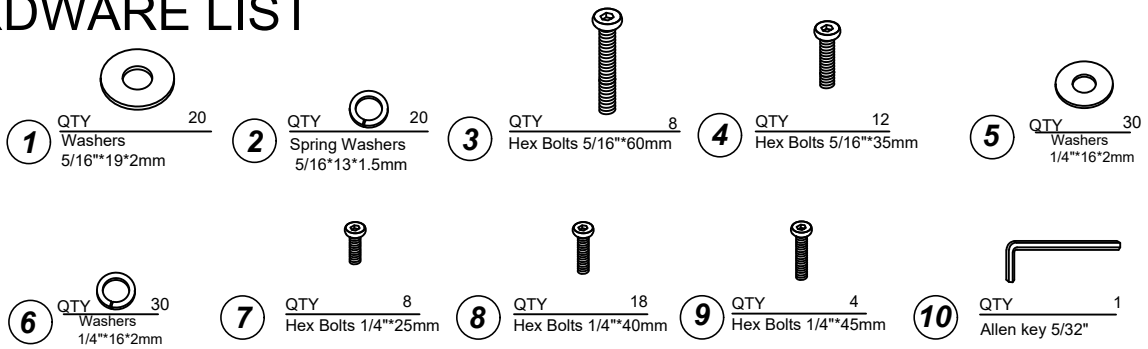
Queen Bed Assembly Instructions

- Two adults are required for assembly of this product.
- DO NOT use any sharp objects to open plastic wrapped components as damage to product or components may result.
- Carefully remove all of the components from the packaging and set aside for assembly.
- Assemble on a soft surface to prevent scratching the finish.
- About your furniture piece:

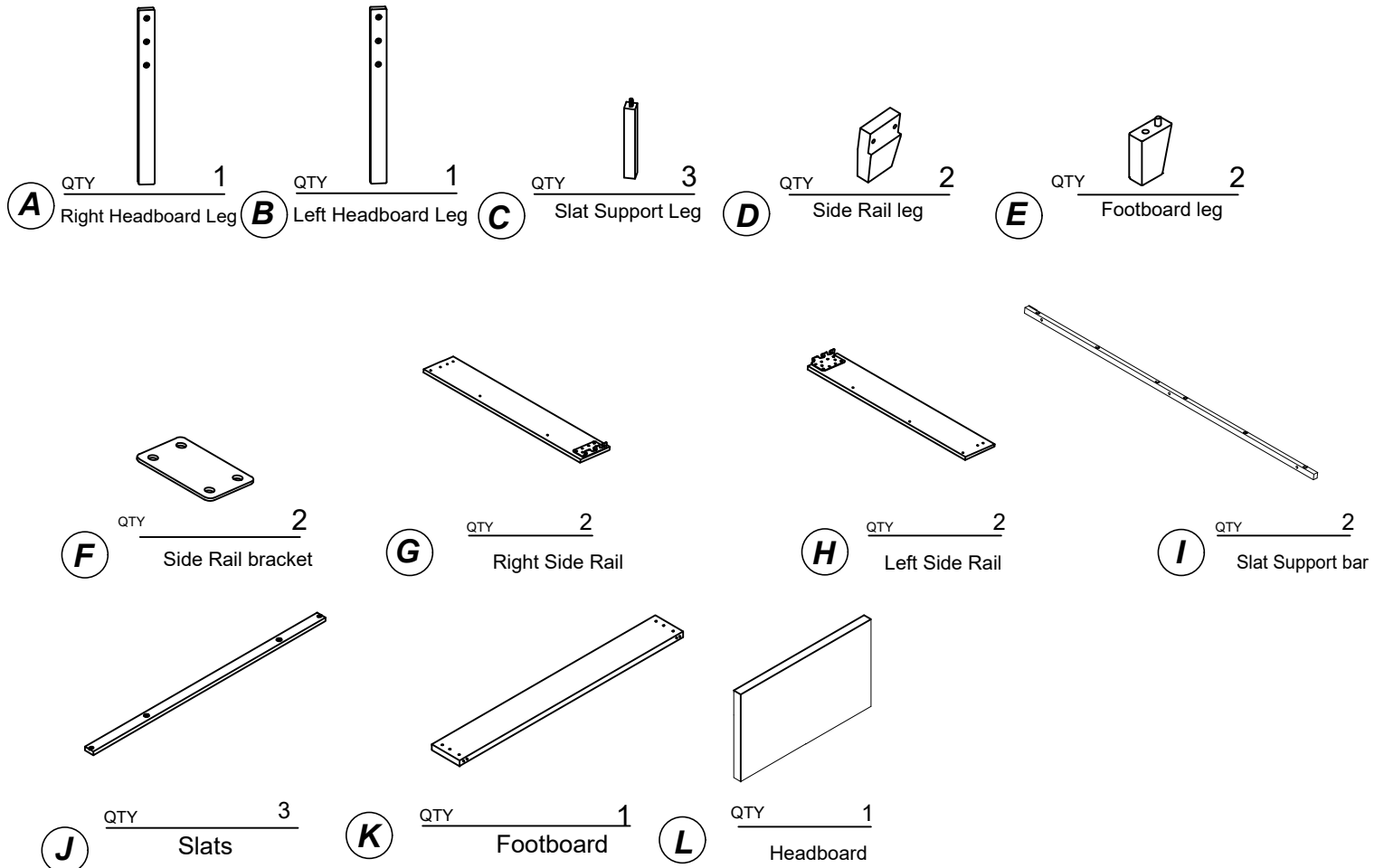
- Softening of foam is natural and will happen over time with use.
- Fabric will fade or discolor in direct sunlight. Minimize exposure to direct sunlight to extend the life of your furniture.
- Wood grain, knots, streaks, and color variation occur naturally in wood and are not considered defects.

NOTICE: DO NOT PLACE MATTRESS DIRECTLY ONTO THE SLATS. A FOUNDATION/BOX SPRING MUST BE USED.

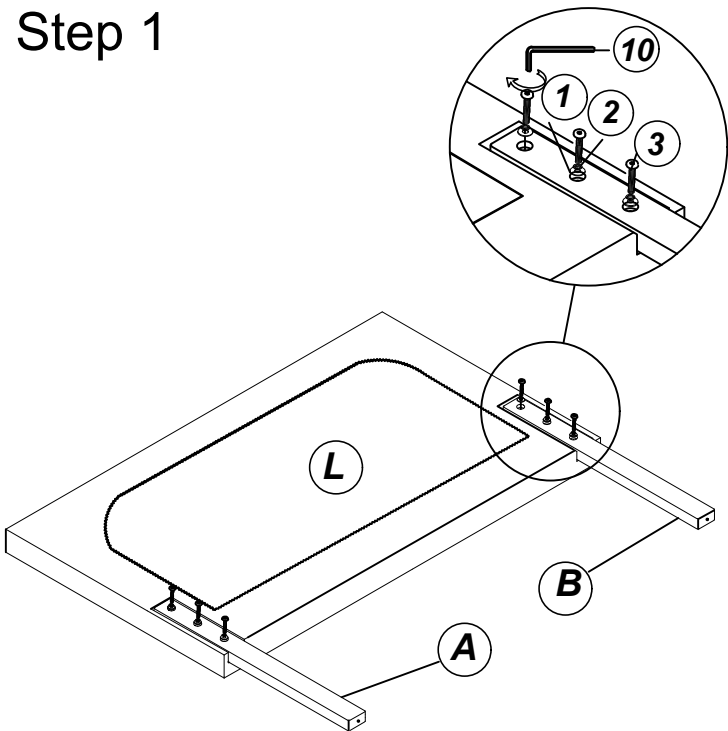
HARDWARE LIST



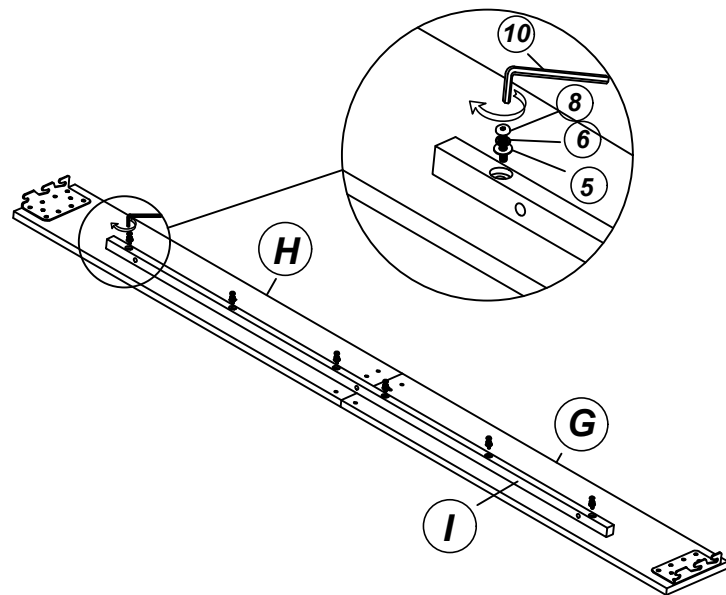
PARTS LIST



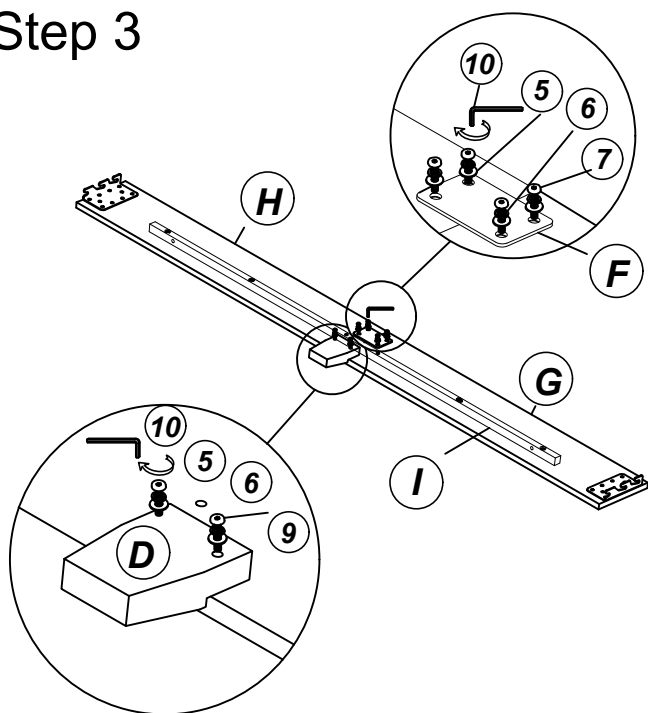
Step 1



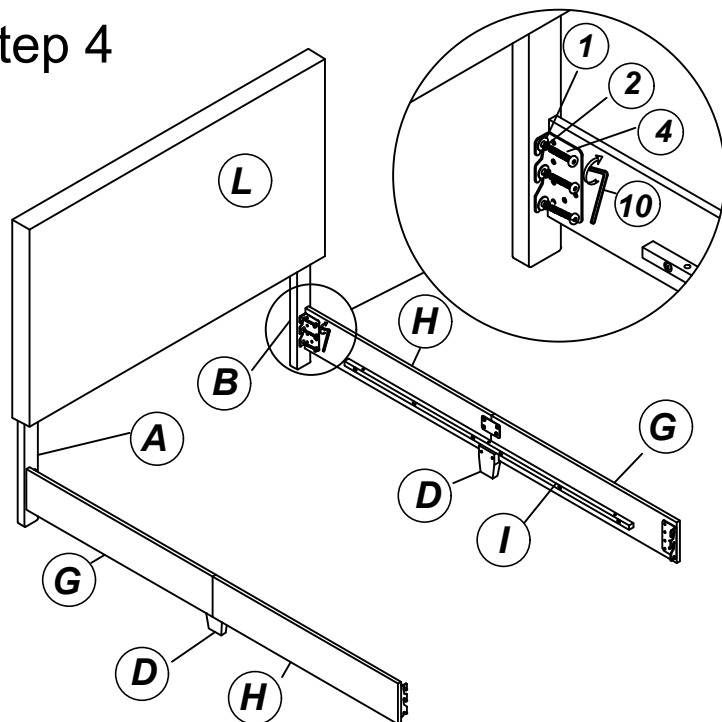
Step 2



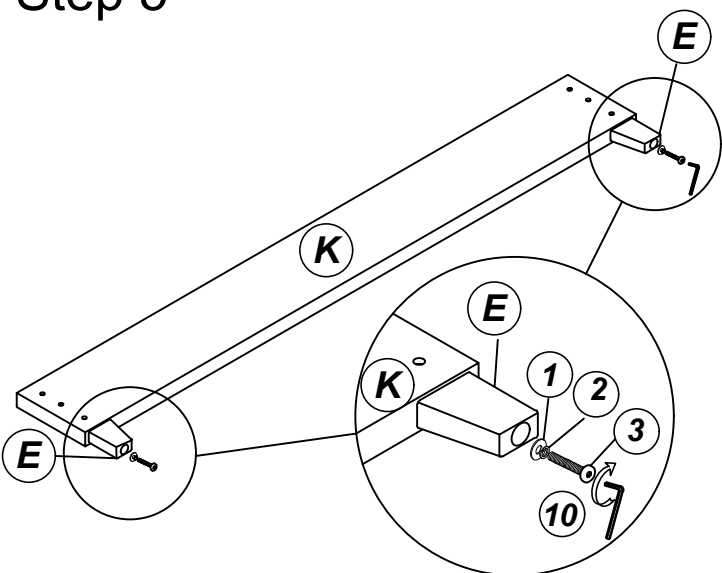
Step 3



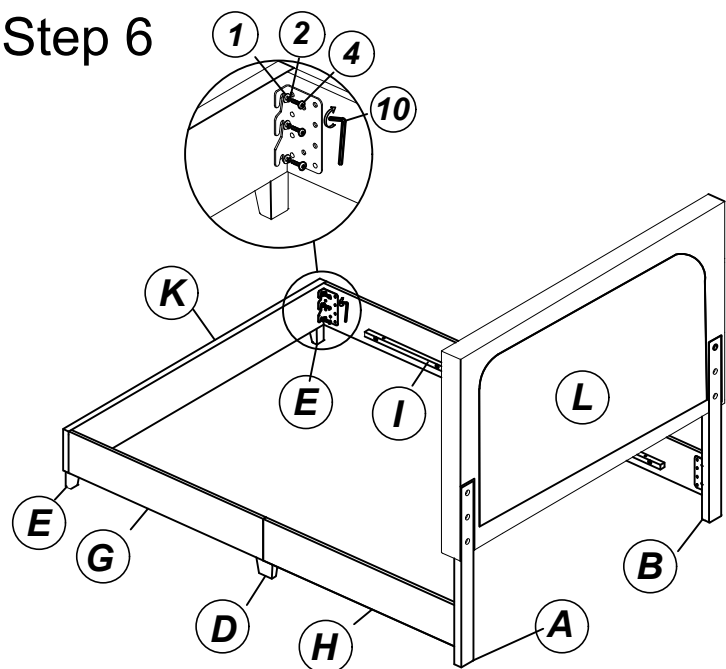
Step 4



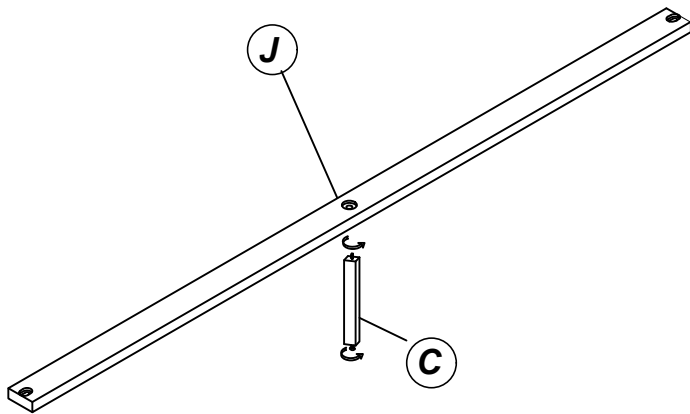
Step 5



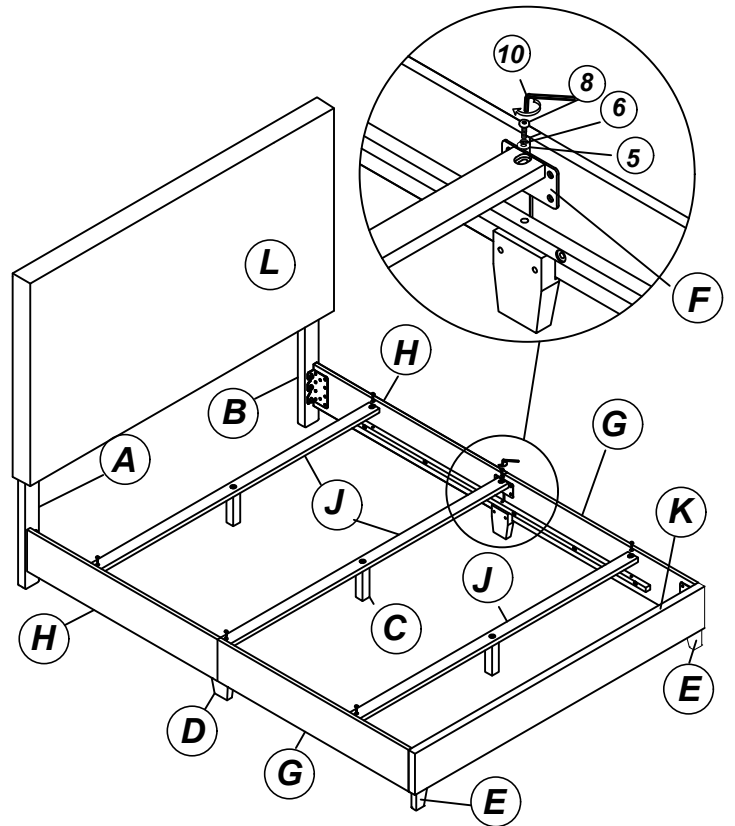
Step 6



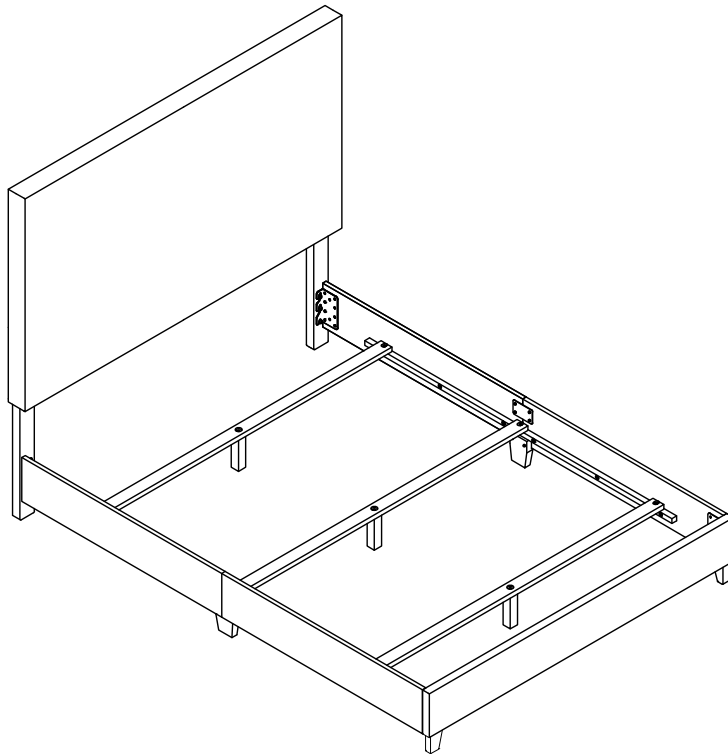
Step 7



Step 8



Step 9



NOTICE: DO NOT PLACE MATTRESS DIRECTLY ONTO THE SLATS. A FOUNDATION/BOX SPRING MUST BE USED.