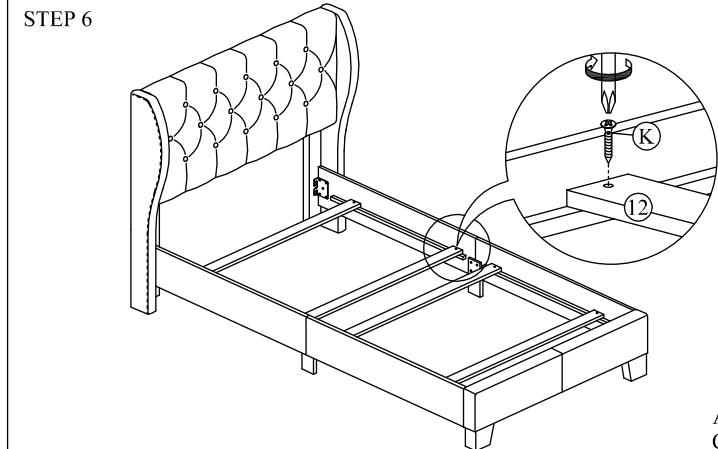
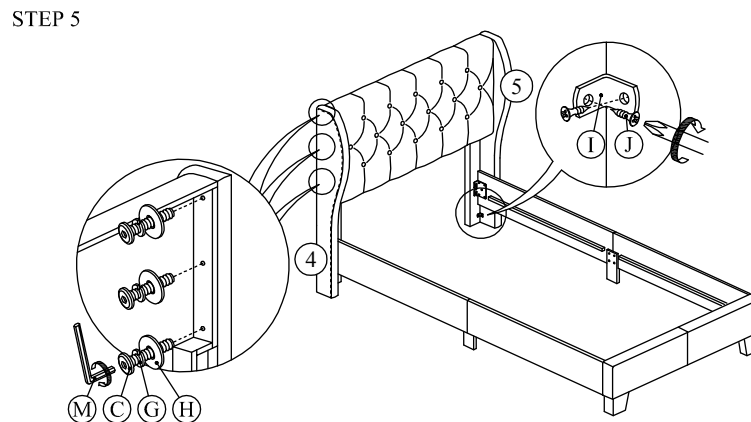
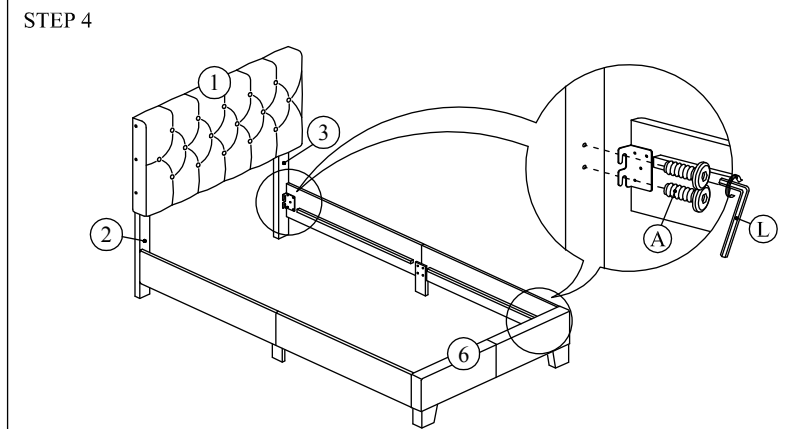
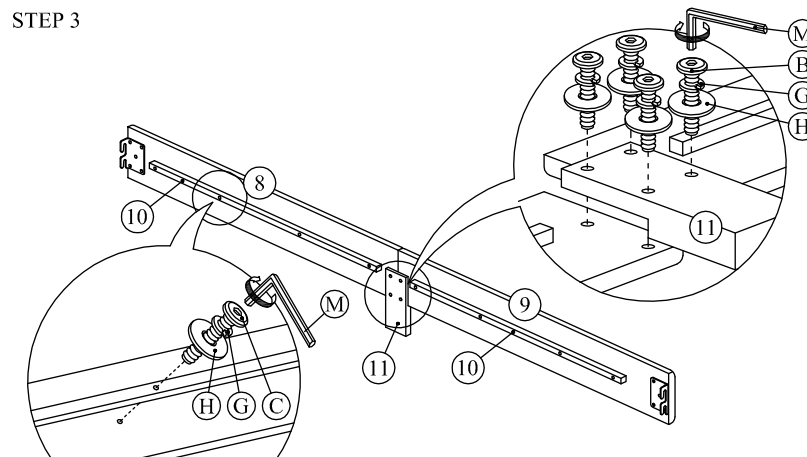
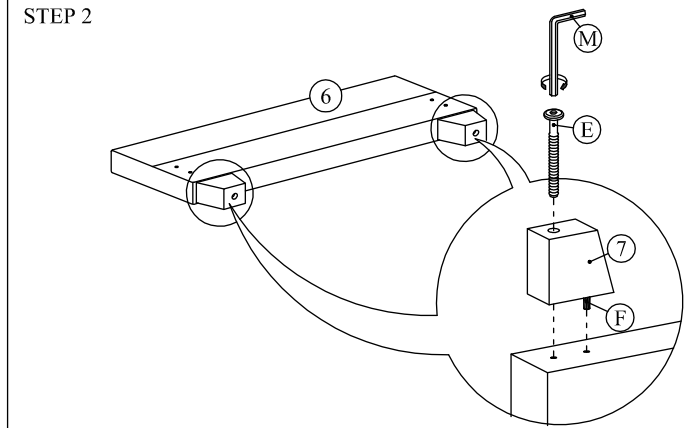
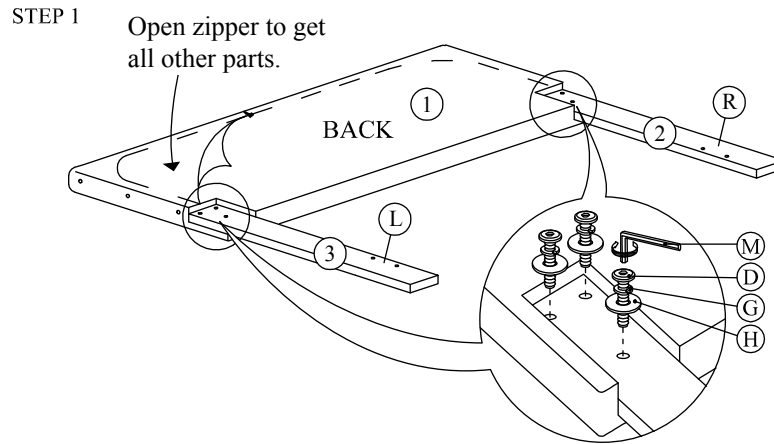


ASSEMBLY INSTRUCTION

ITEM : 80033-111/121

NO	PART LIST	QTY
1	HEADBOARD CUSHION	1 PC
2	HEADBOARD LEG (WITH 'R' LABEL)	1 PC
3	HEADBOARD LEG (WITH 'L' LABEL)	1 PC
4	WING	1 PC
5	WING	1 PC
6	FOOTBOARD CUSHION	1 PC
7	FOOTBOARD LEG	2 PCS
8	SIDE RAIL	2 PCS
9	SIDE RAIL	2 PCS
10	CLEAT	4 PCS
11	SIDE RAIL SUPPORT LEG	2 PCS
12	SLAT	4 PCS
ITEM	HARDWARE	QTY
A	JCBB SCEW M8 x 20MM	8 PCS
B	JCBC SCEW M6 x 25MM	8 PCS
C	JCBC SCEW M6 x 35MM	22 PCS
D	JCBC SCEW M6 x 50MM	6 PCS
E	JCBC SCEW M6 x 70MM	2 PCS
F	WOOD DOWEL M8 x 30MM	2 PCS
G	SPRING WASHER M6 x 13MM	36 PCS
H	FLAT WASHER M6 x 19MM	36 PCS
I	'L' BRACKET 18MM X 20MM X 1.2MM	2 PCS
J	SCREW M4 x 16MM	4 PCS
K	SCREW M4 x 32MM	8 PCS
L	L - KEY M5 x 65MM	1 PC
M	L - KEY M4 x 100MM	1 PC



ASSEMBLY COMPLETE