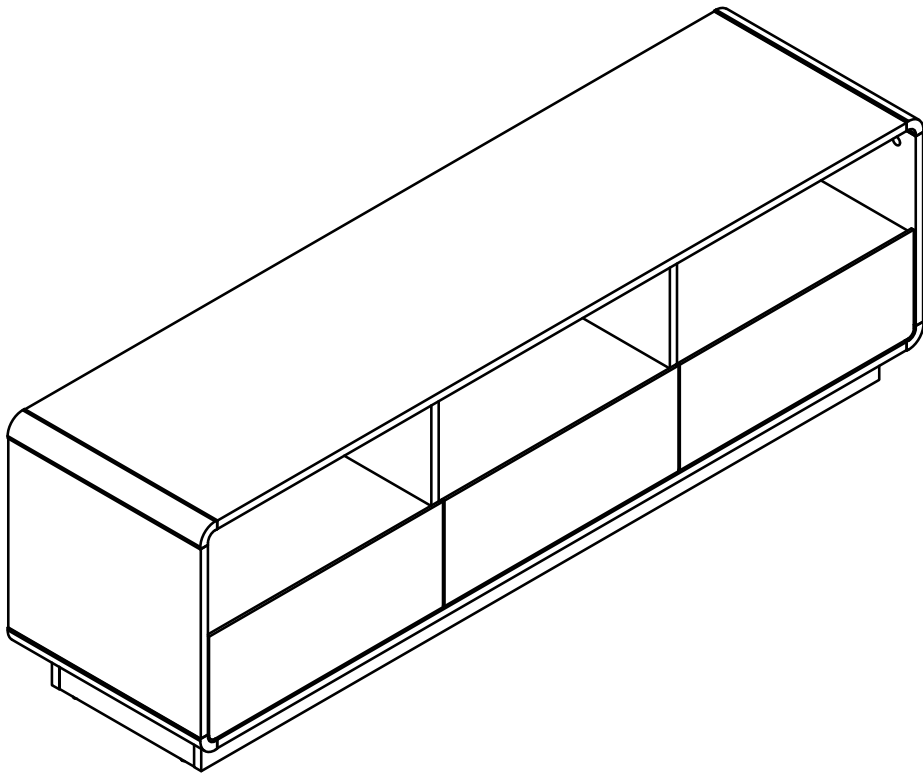


Transforming houses into homes (English & Español)



INSTRUCTION MANUAL

Contact Information

Question about your product? We're here to help.



Orders FAQ



Product Assembly



Product Inquiry



Chat Support



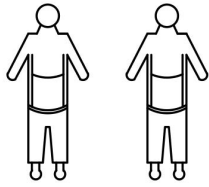
Returns & Refunds

If you have any problems, please send your order number and photos to us. We will contact you within 24 hours and provide you with a satisfactory solution.

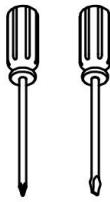
! NOTICE Please retain these instructions for future reference.

- Carefully unpack all the components and verify that all the necessary parts are included as listed in the packaging.
- Identify each component and refer to the provided assembly diagram or step-by-step instructions.
- Assemble the furniture in the order specified to ensure proper alignment and fit.
- Use the provided tools or recommended tools for assembly. Do not use excessive force when tightening screws or bolts.
- If any difficulties arise during assembly. Consult the troubleshooting section or contact our customer support.

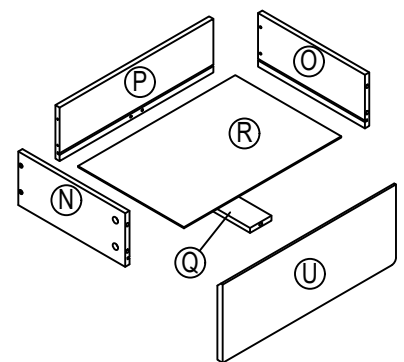
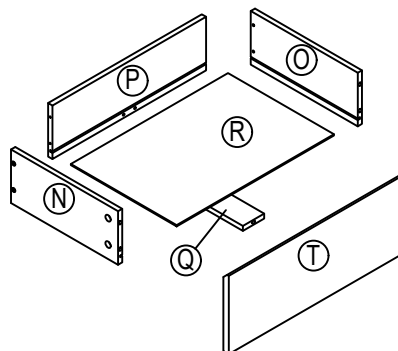
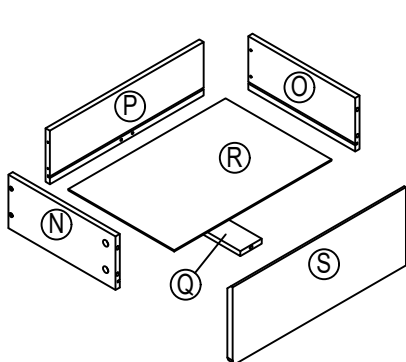
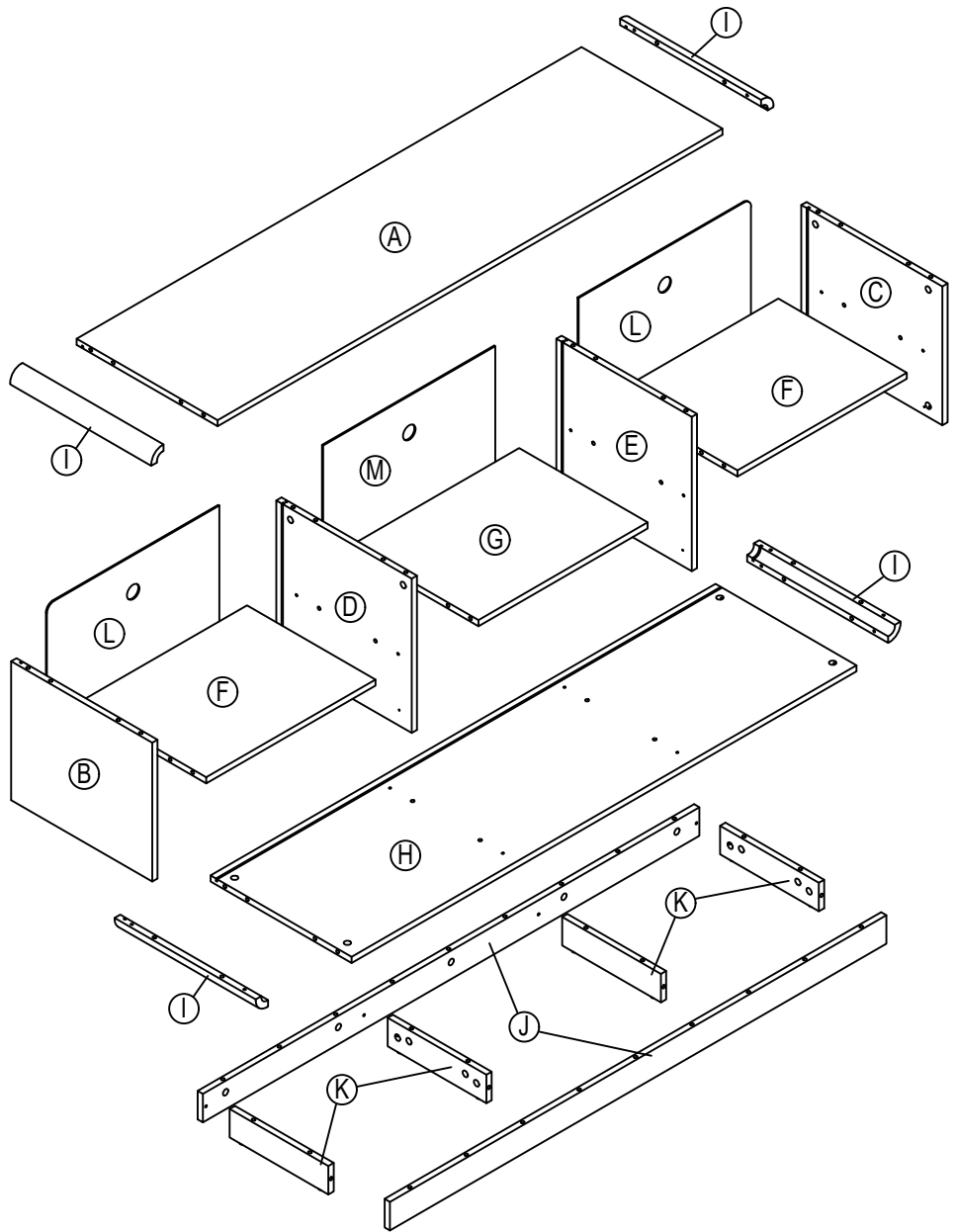
ASSEMBLY INSTRUCTIONS



2 people

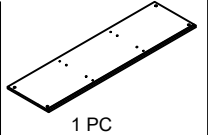




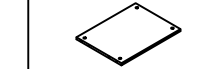
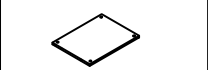
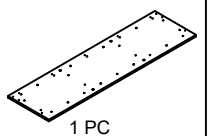

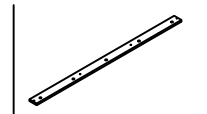


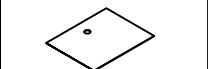

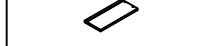


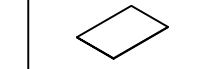
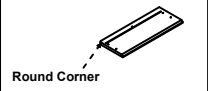
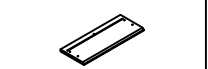
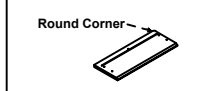


Phillips Screwdriver




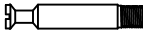

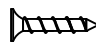
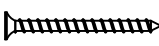









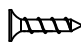


PARTS LIST

A Panel  1 PC	B Left Side Panel  1 PC	C Right Side Panel  1 PC	D Left Middle Panel  1 PC	E Right Middle Panel  1 PC	F Left and Right Fixed Plate  2 PCS
G Middle Fixed Plate  1 PC	H Bottom Plate Panel  1 PC	I Circular Arc Plate  4 PCS	J Fixed Plate  2 PCS	K Fixed Plate  4 PCS	L Back Panel  2 PCS
M Back Panel  1 PC	N Drawer Left Side Panel  3 PCS	O Drawer Right Side Panel  3 PCS	P Drawer Back Panel  3 PCS	Q Drawer Slat  3 PCS	R Drawer Bottom Panel  3 PCS
S Drawer Left Front Panel  1 PC Round Corner	T Drawer Middle Front Panel  1 PC	U Drawer Right Front Panel  1 PC Round Corner			



HARDWARE LIST

01 Ø15X9.5mm Cam Lock  73+3 PCS	02 Ø6.5X35mm Cam Bolt  73+3 PCS	03 Ø8X30mm Wooden Dowel  44+2 PCS	04 Ø3.5X14mm Screw  36+2 PCS	05 Ø4X35mm Screw  22+2 PCS	06 Back Panel Buckle  Ø3×14mm 16+2 PCS
07 Ø21mm Screw Hole Sticker  12+1 PCS	08 70X30X5mm Allen Wrench  1 PC	09 CL Left Cabinet Slide Rail  3 PCS	09 CR Right Cabinet Slide Rail  3 PCS	09 DL Left Drawer Slide Rail  3 PCS	09 DR Right Drawer Slide Rail  3 PCS
10 Light Bulb  1 PC	11 24X7X4.5mm Buckles  11+1 PCS	12 Ø3X12mm Screw  11+1 PCS			

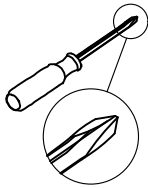


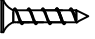
If you are missing any parts, please provide your order number and circle the part number. Send us a photo of this, and we will provide you with a satisfactory solution. Thank you.


STEP 1


Please tighten the screws after completing all installation.

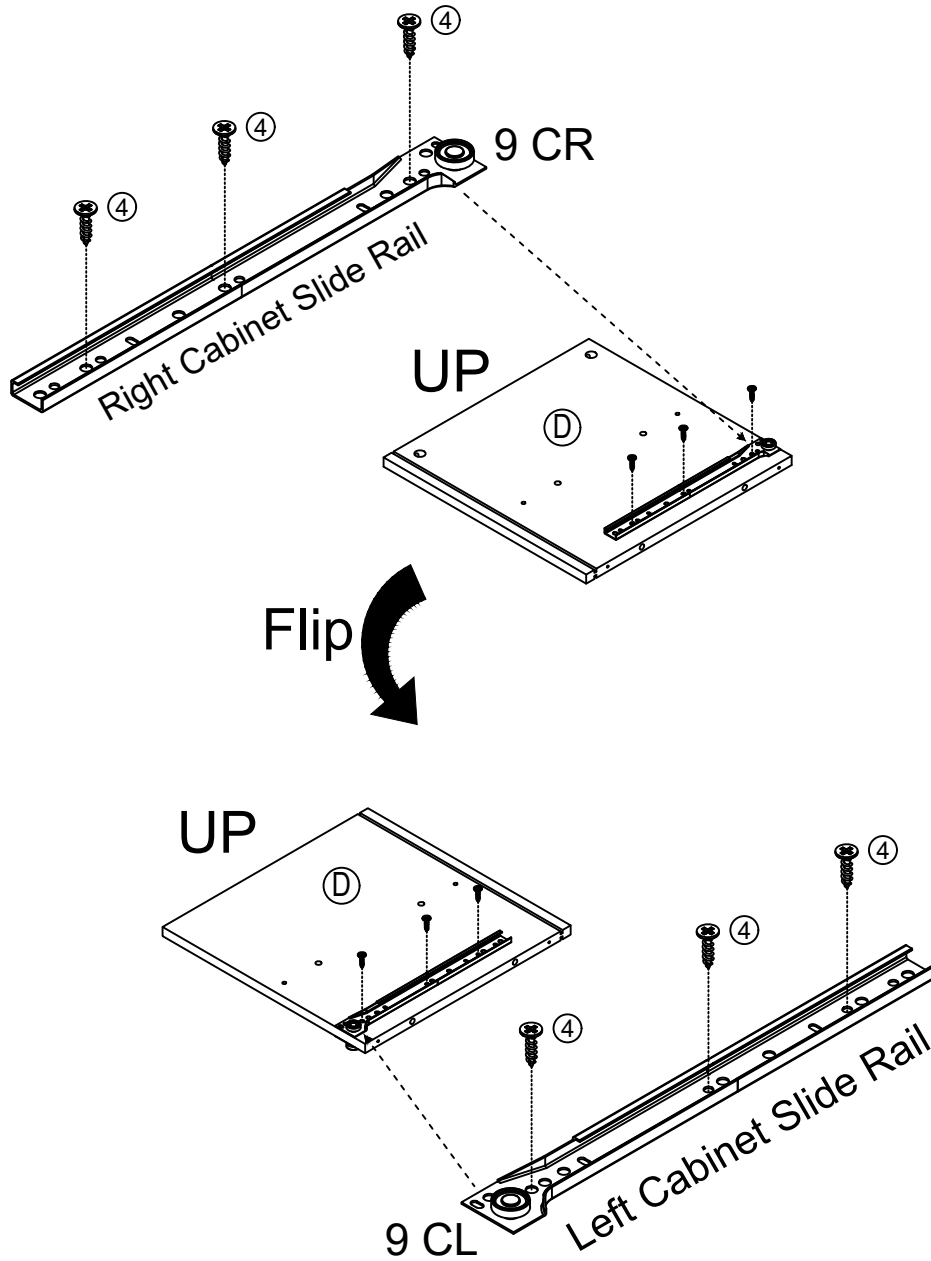
Por favor, apriete los tornillos después de instalar todo.



 Ø3.5X14mm Screw	
④	X6

	
Left Cabinet Slide Rail	
9 CL	X1

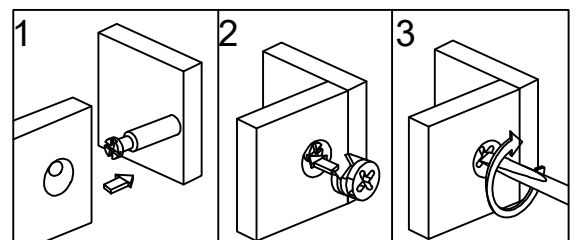
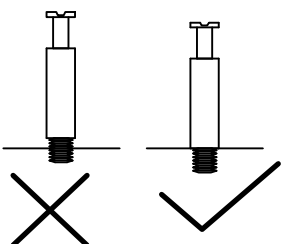
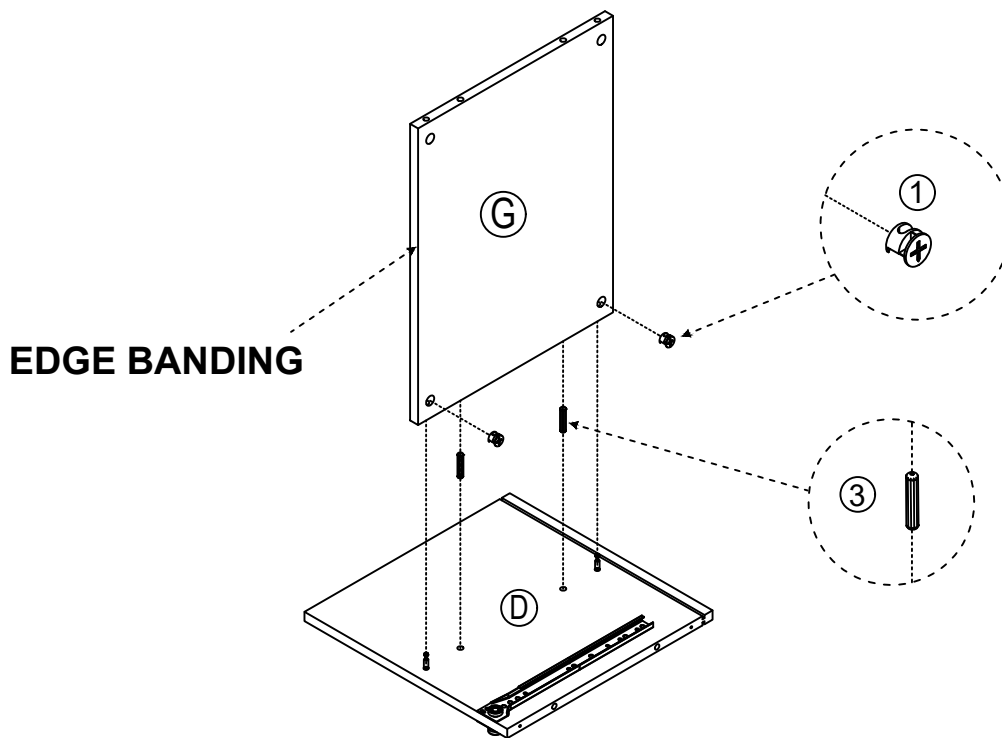
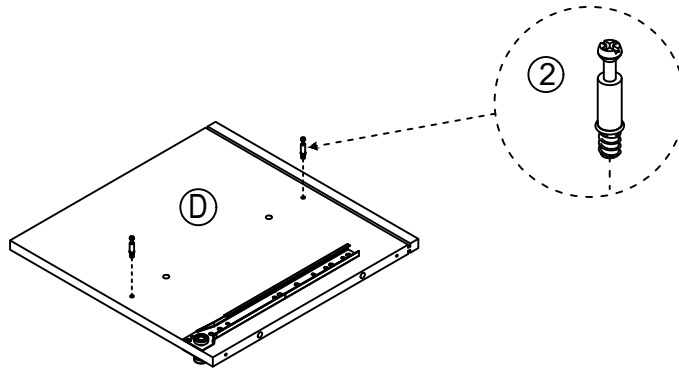
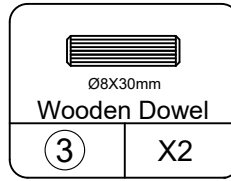
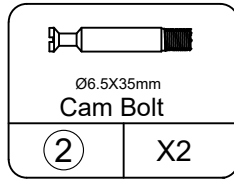
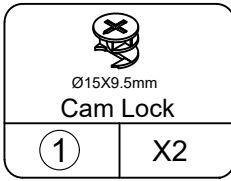
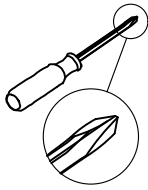
	
Right Cabinet Slide Rail	
9 CR	X1



STEP 2

Please tighten the screws after completing all installation.

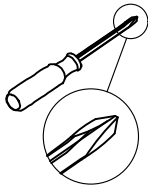
Por favor, apriete los tornillos después de instalar todo.

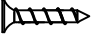



STEP 3


Please tighten the screws after completing all installation.

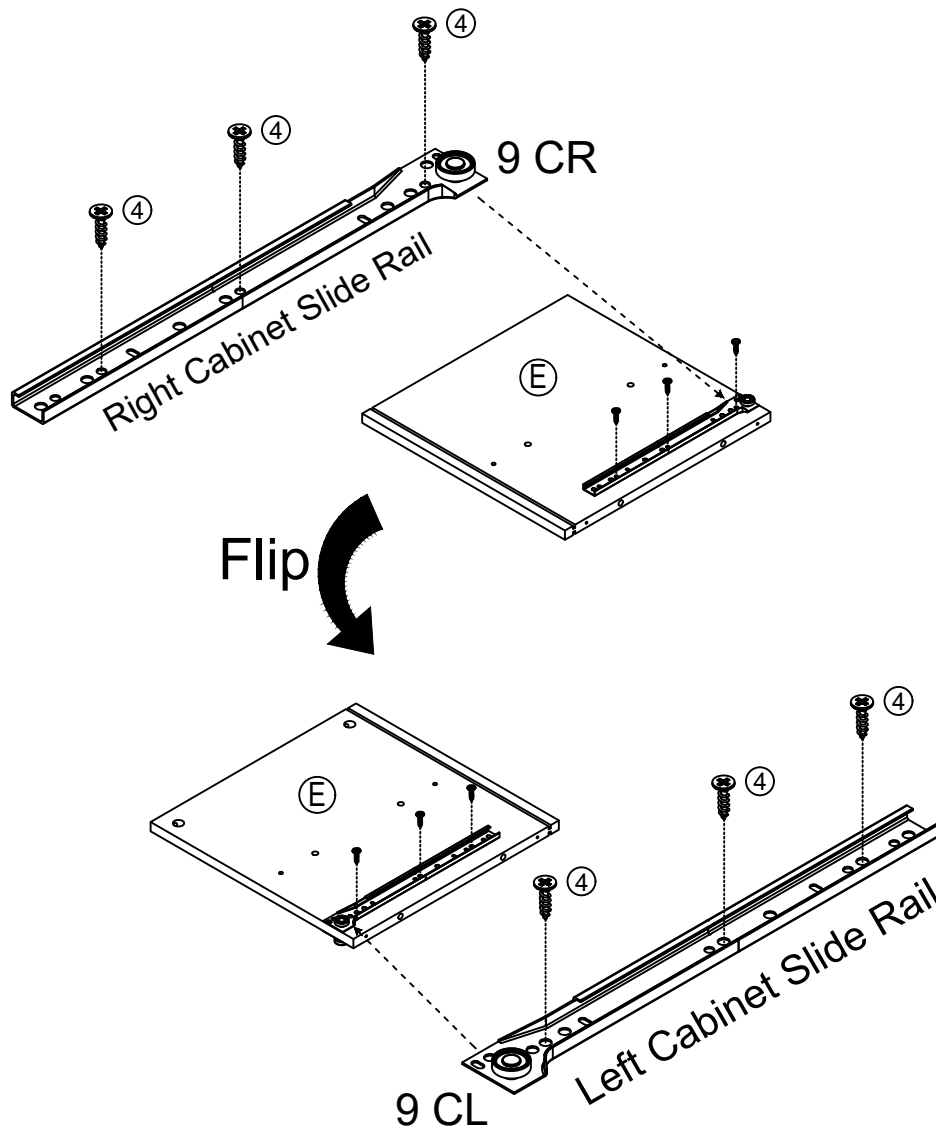
Por favor, apriete los tornillos después de instalar todo.



 Ø3.5X14mm Screw	
④	X6

 Left Cabinet Slide Rail	
9 CL	X1

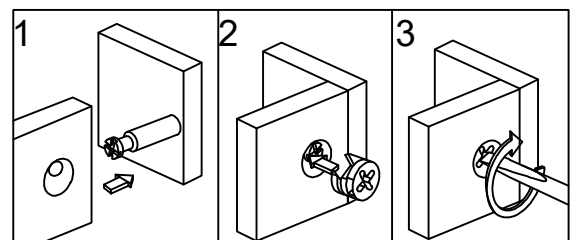
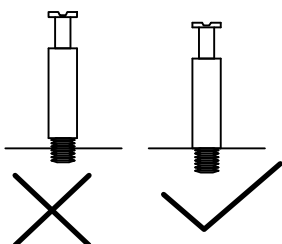
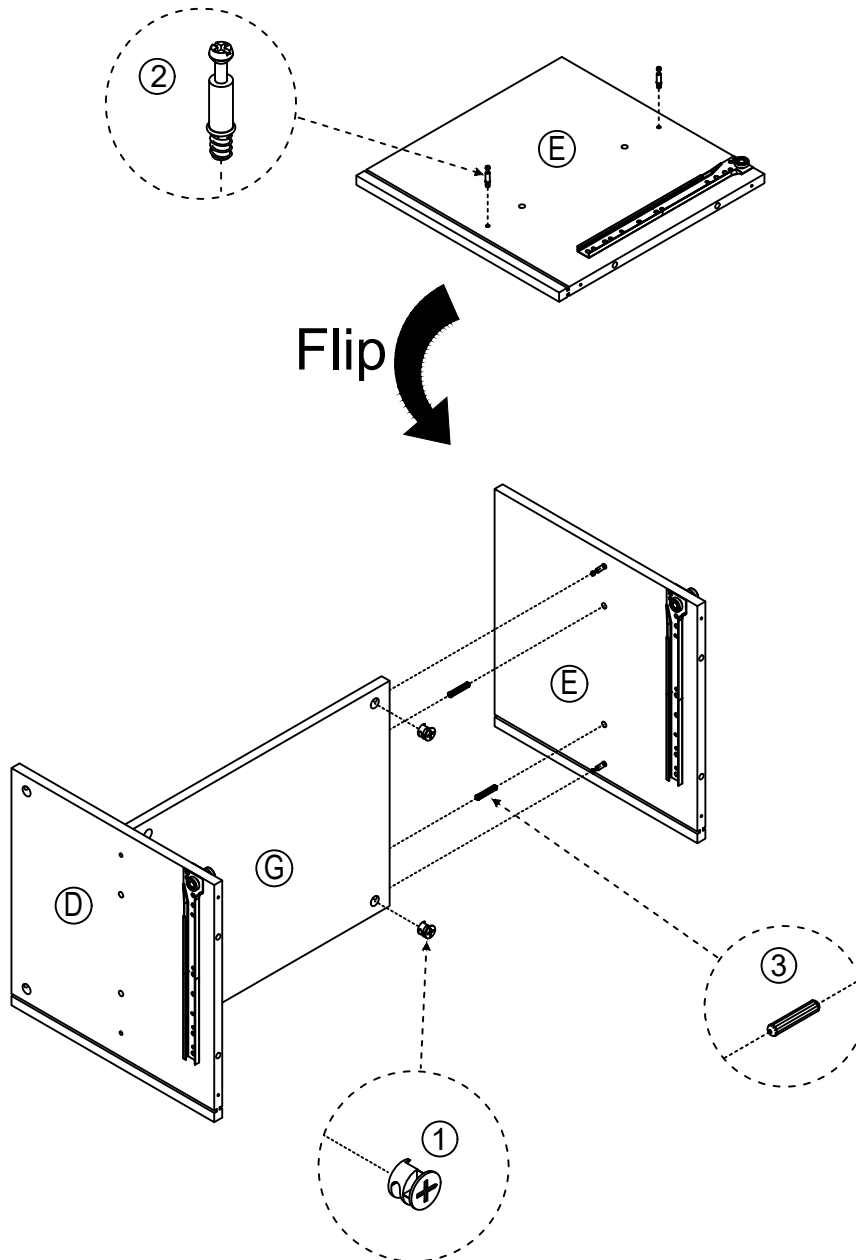
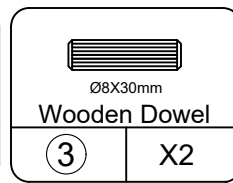
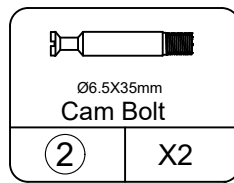
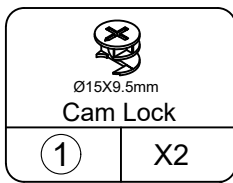
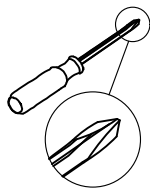
 Right Cabinet Slide Rail	
9 CR	X1



STEP 4

Please tighten the screws after completing all installation.

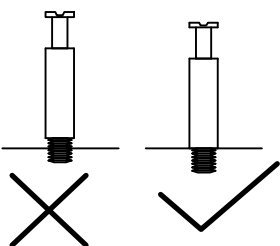
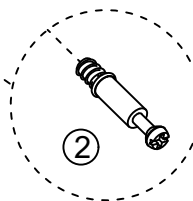
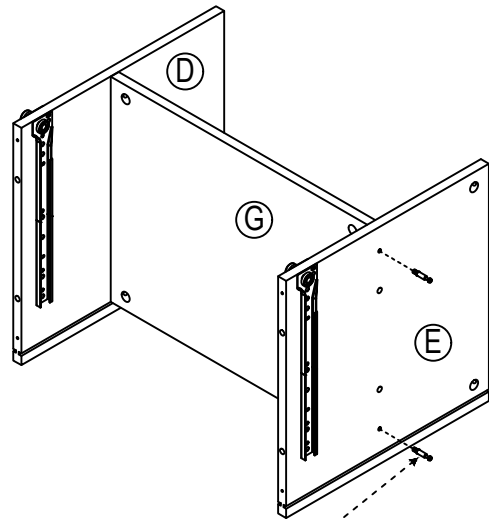
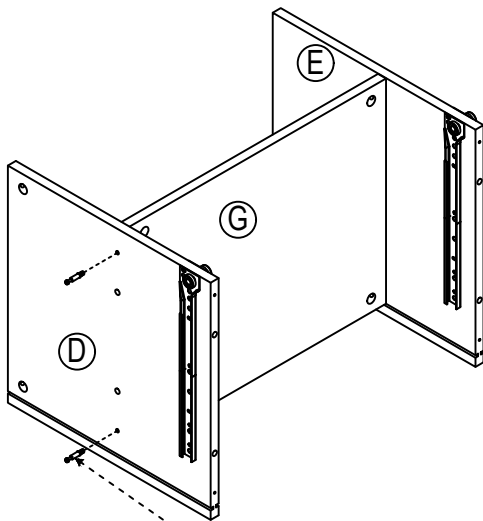
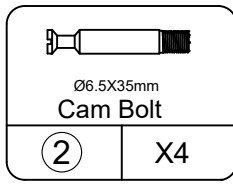
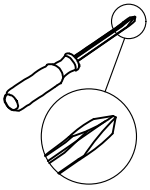
Por favor, apriete los tornillos después de instalar todo.



STEP 5

Please tighten the screws after completing all installation.

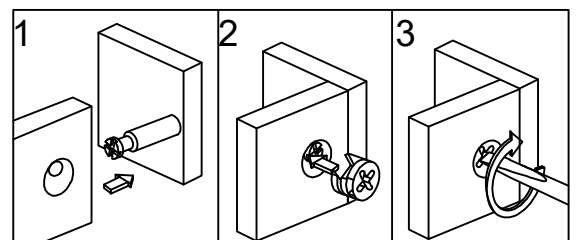
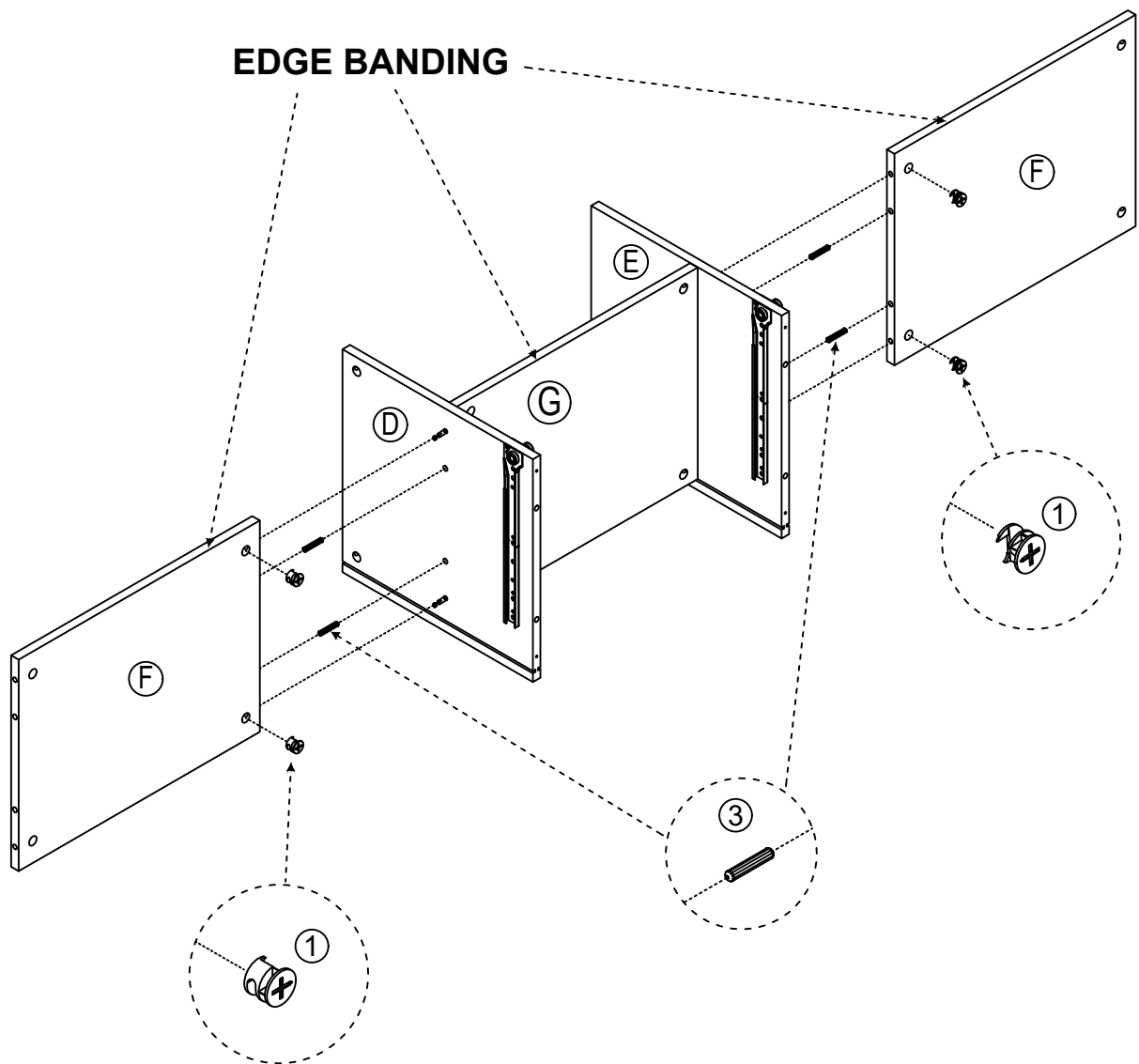
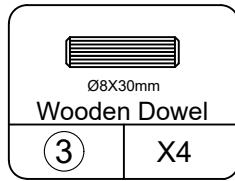
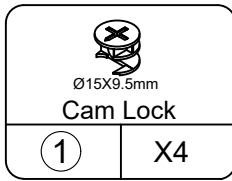
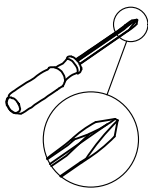
Por favor, apriete los tornillos después de instalar todo.



STEP 6

Please tighten the screws after completing all installation.

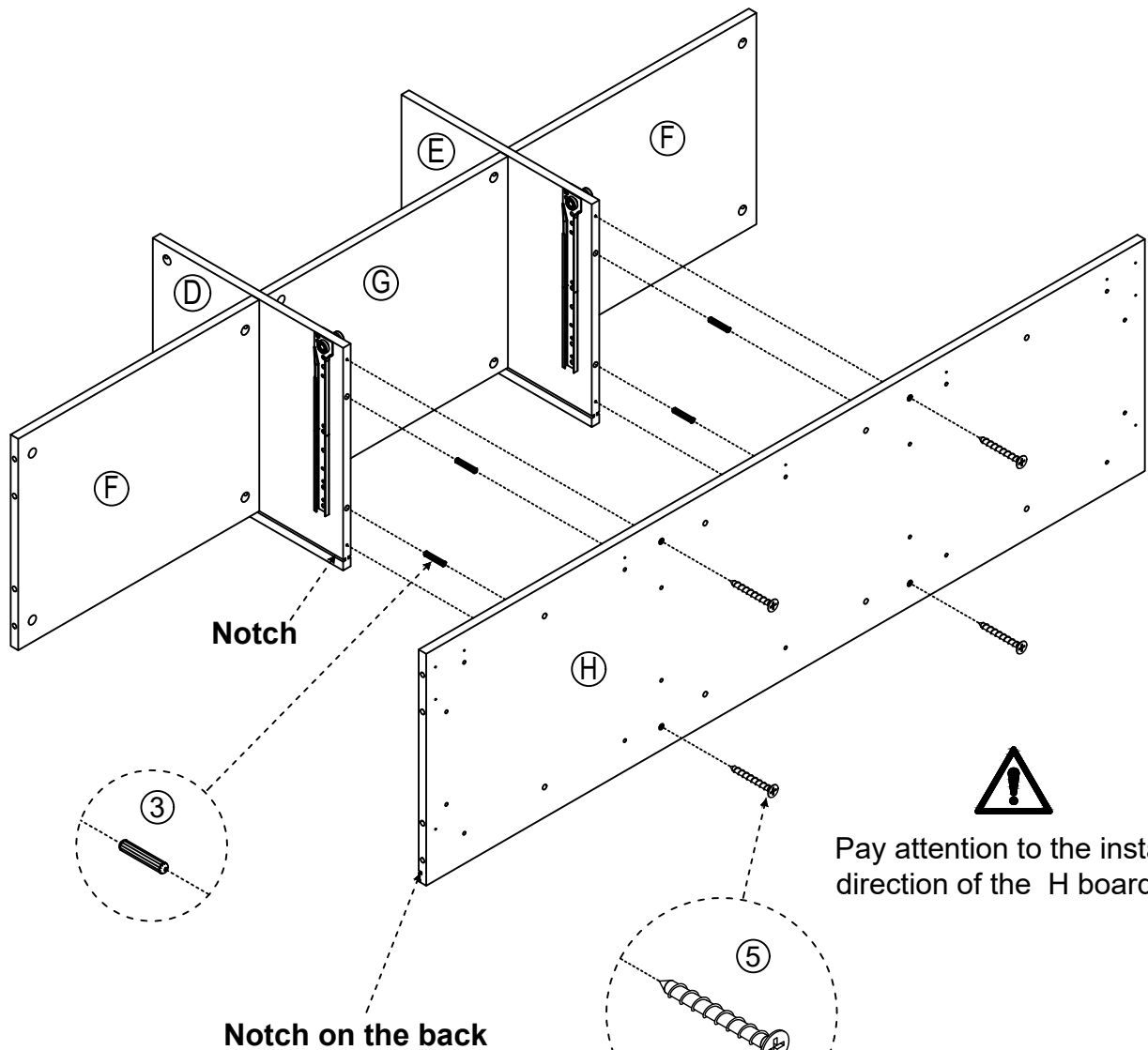
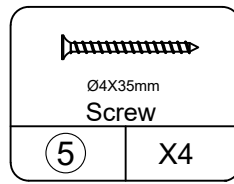
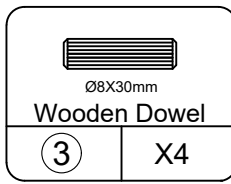
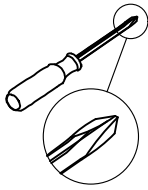
Por favor, apriete los tornillos después de instalar todo.



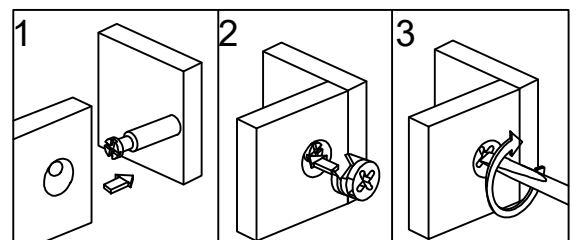
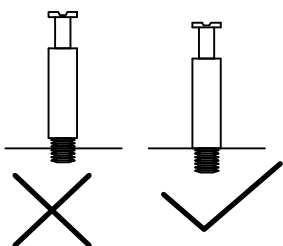
STEP 7

Please tighten the screws after completing all installation.

Por favor, apriete los tornillos después de instalar todo.



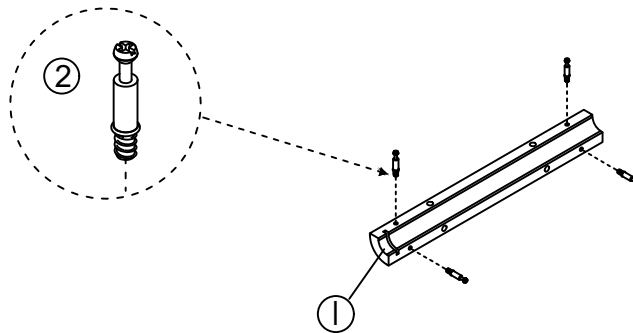
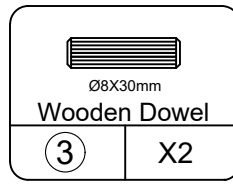
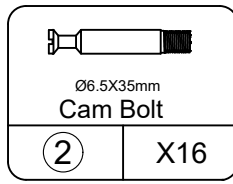
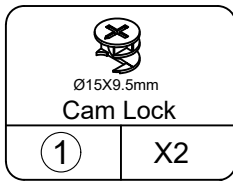
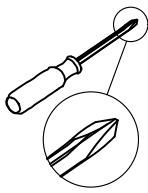
Make sure the screw into the right holes.



STEP 8

Please tighten the screws after completing all installation.

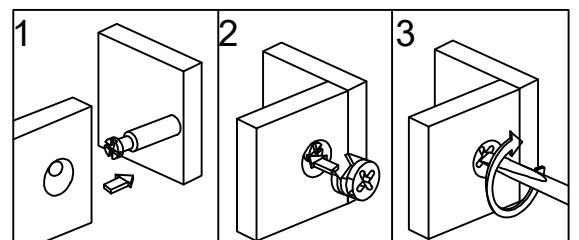
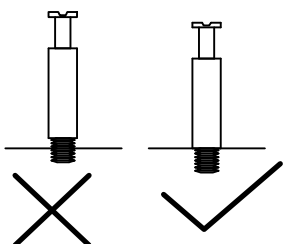
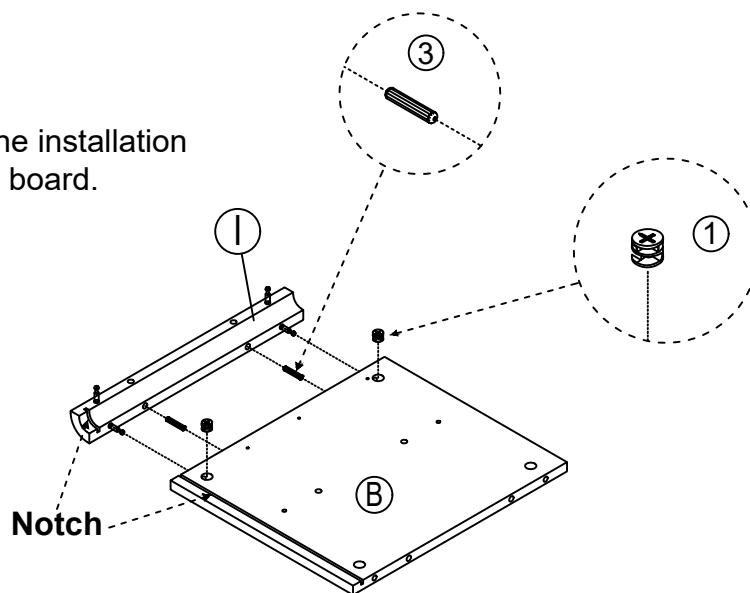
Por favor, apriete los tornillos después de instalar todo.



X4



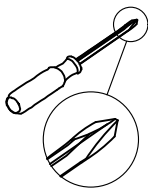
Pay attention to the installation direction of the I board.

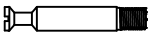


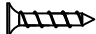
STEP 9


Please tighten the screws after completing all installation.

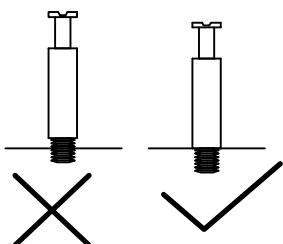
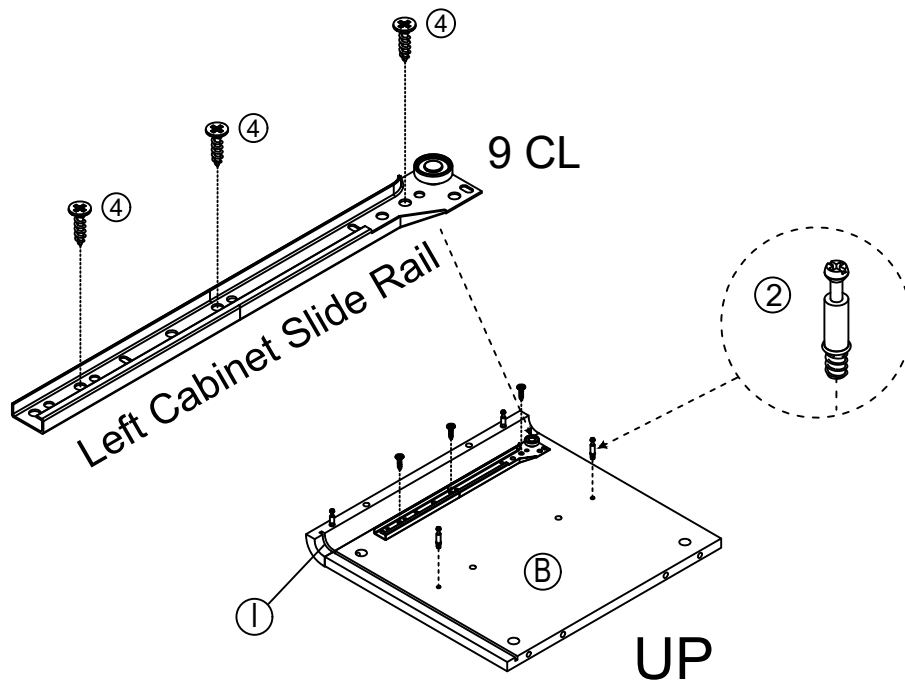
Por favor, apriete los tornillos después de instalar todo.



 Ø6.5X35mm Cam Bolt	
②	X2

 Ø3.5X14mm Screw	
④	X3

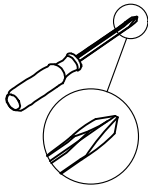
 Left Cabinet Slide Rail	
9 CL	X1




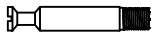
STEP 10


Please tighten the screws after completing all installation.

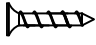
Por favor, apriete los tornillos después de instalar todo.




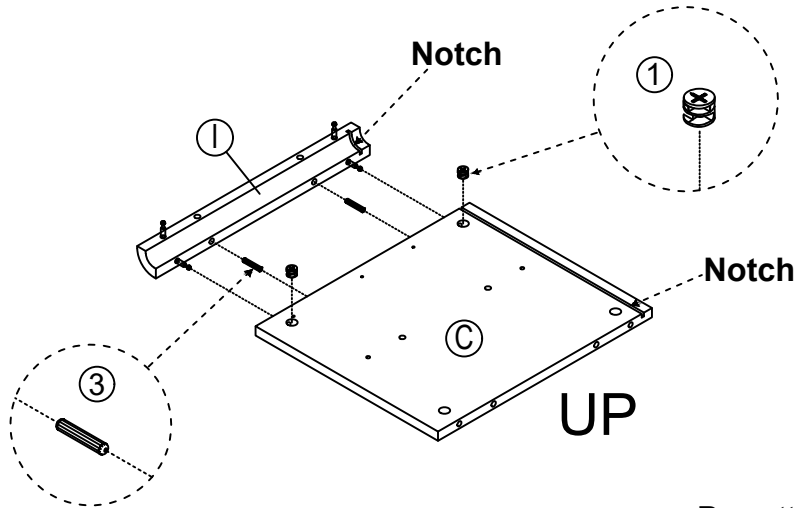
	Ø15X9.5mm Cam Lock
①	X2

	Ø6.5X35mm Cam Bolt
②	X2

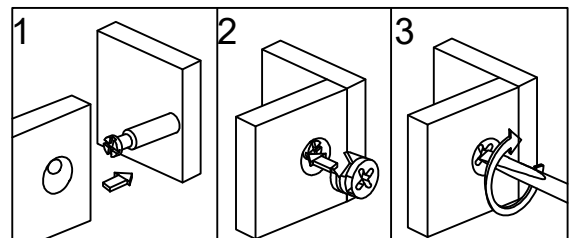
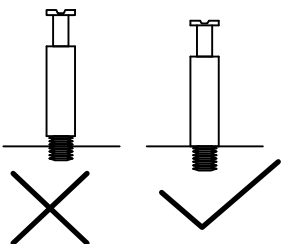
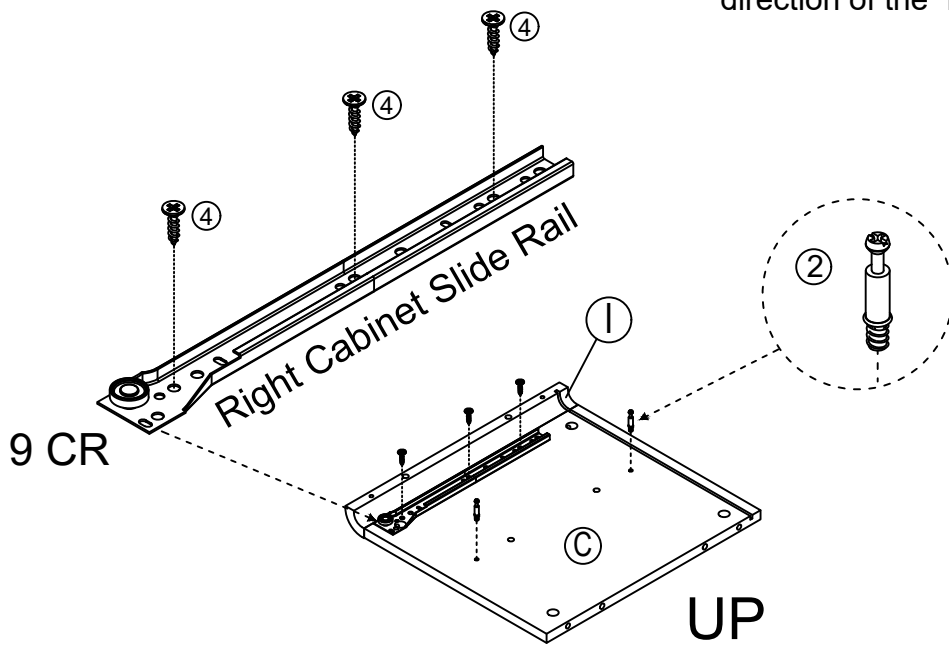
	Ø8X30mm Wooden Dowel
③	X2

	Ø3.5X14mm Screw
④	X3

	Right Cabinet Slide Rail
9 CR	X1



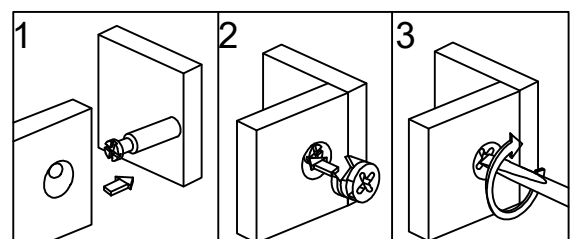
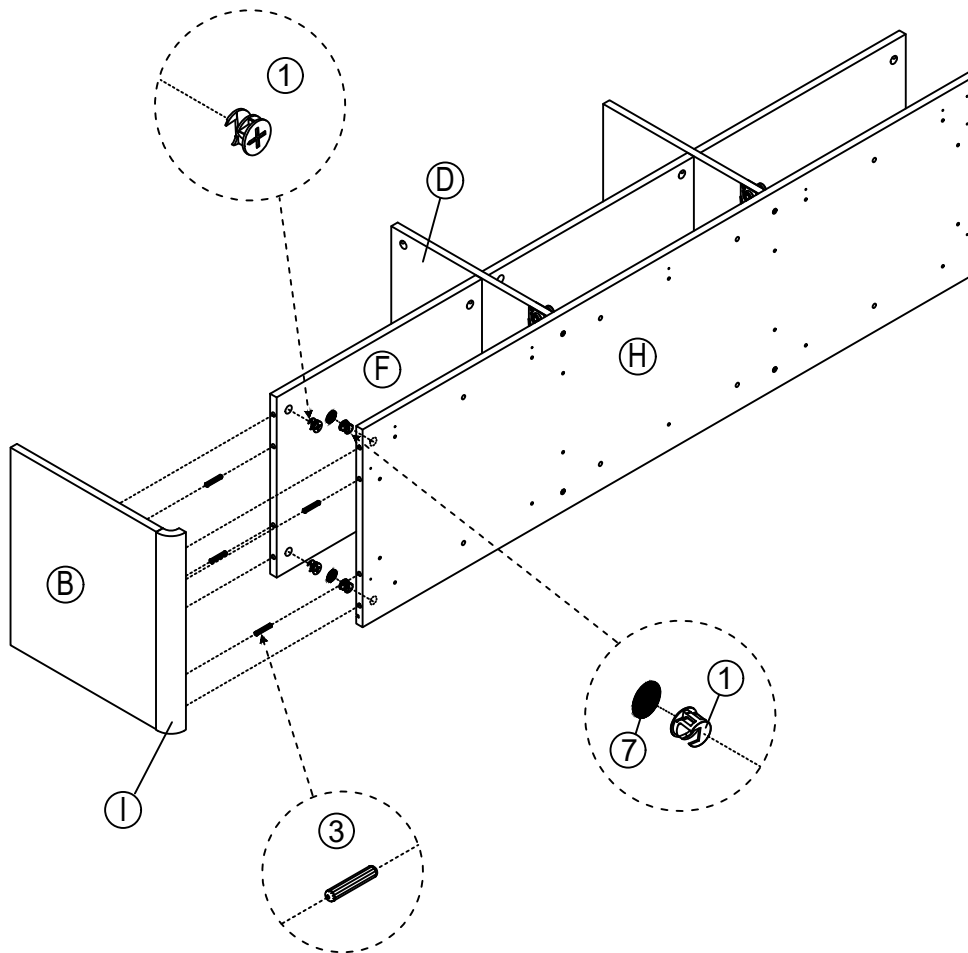
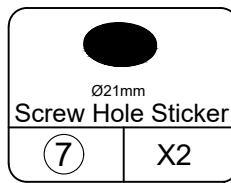
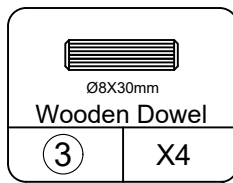
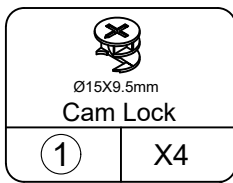
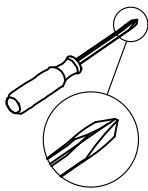
Pay attention to the installation direction of the I board.



STEP 11

Please tighten the screws after completing all installation.

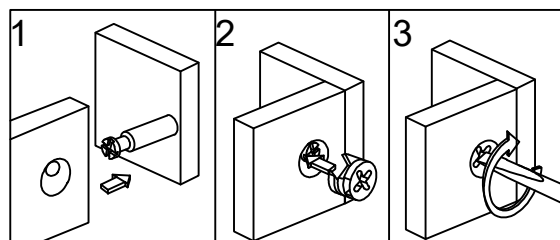
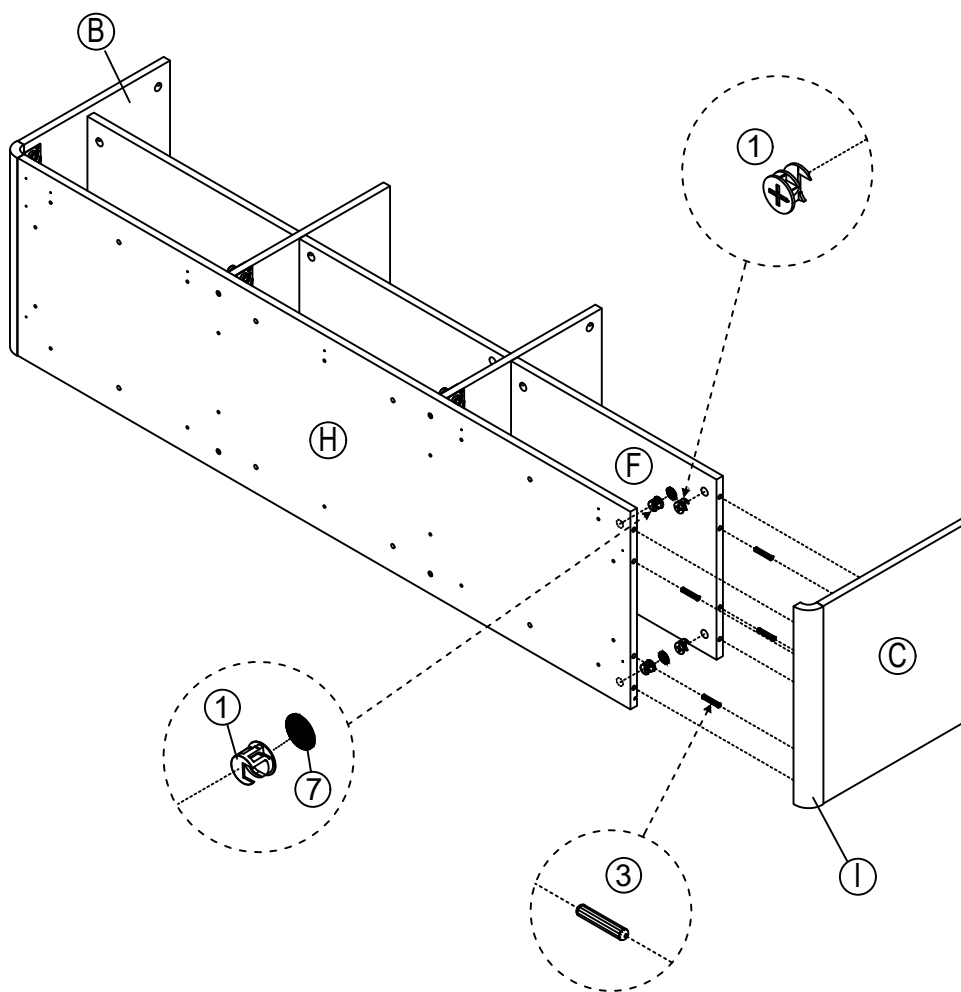
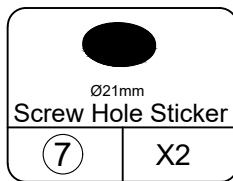
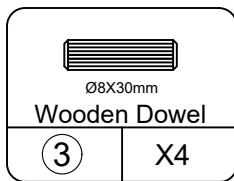
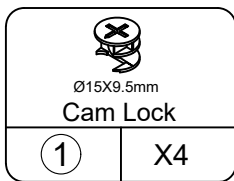
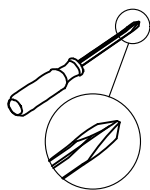
Por favor, apriete los tornillos después de instalar todo.



STEP 12

Please tighten the screws after completing all installation.

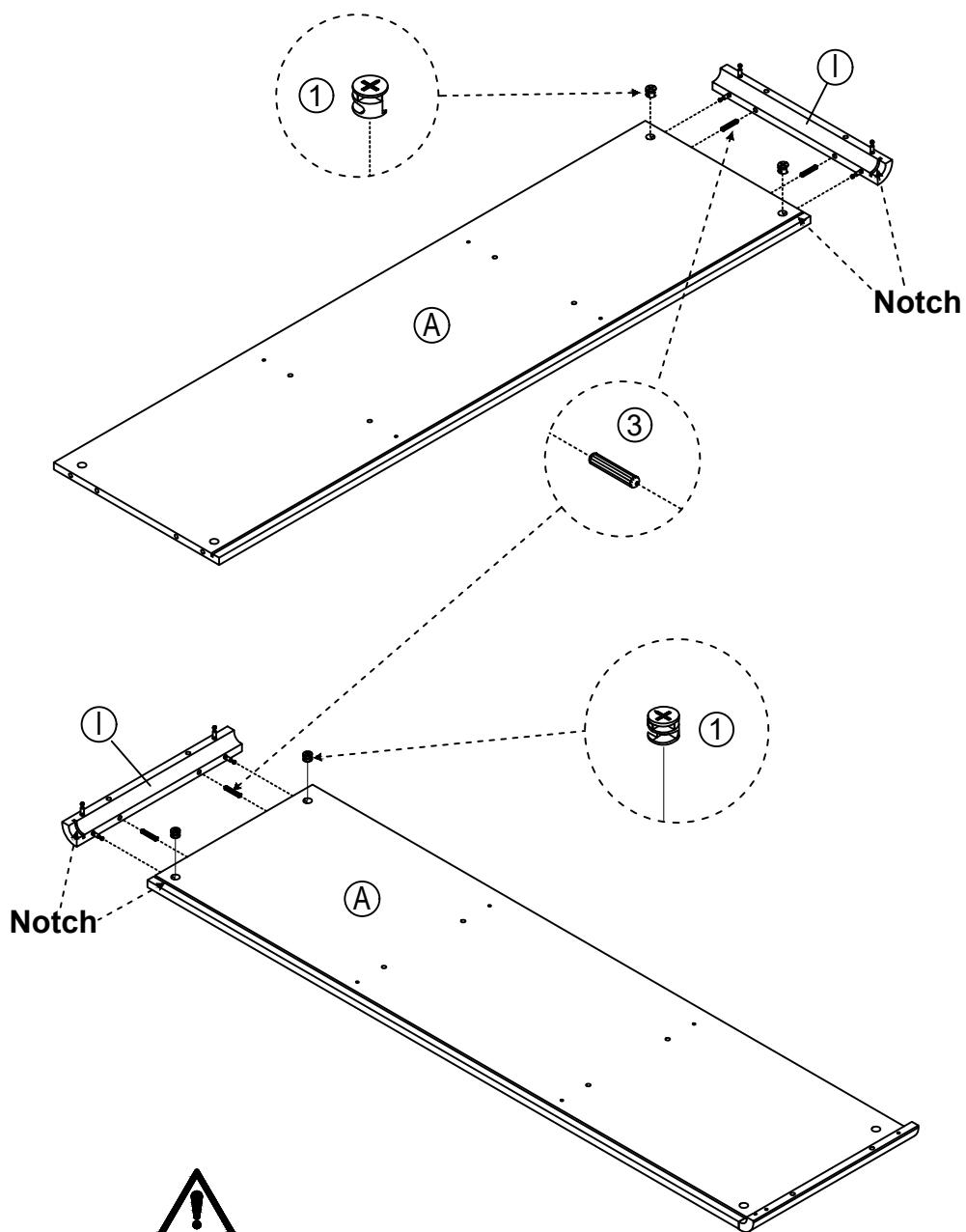
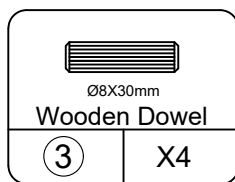
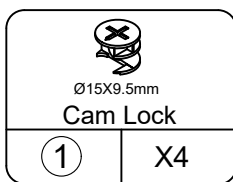
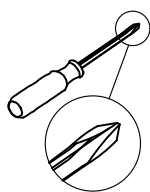
Por favor, apriete los tornillos después de instalar todo.



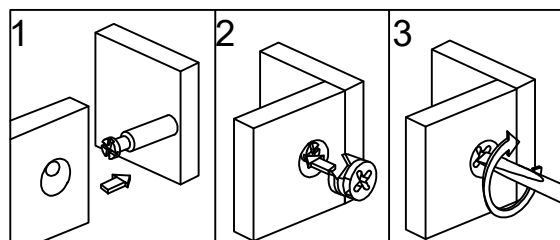
STEP 13

Please tighten the screws after completing all installation.

Por favor, apriete los tornillos después de instalar todo.



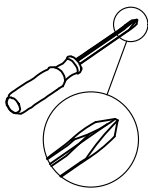
Pay attention to the installation direction of the I board.



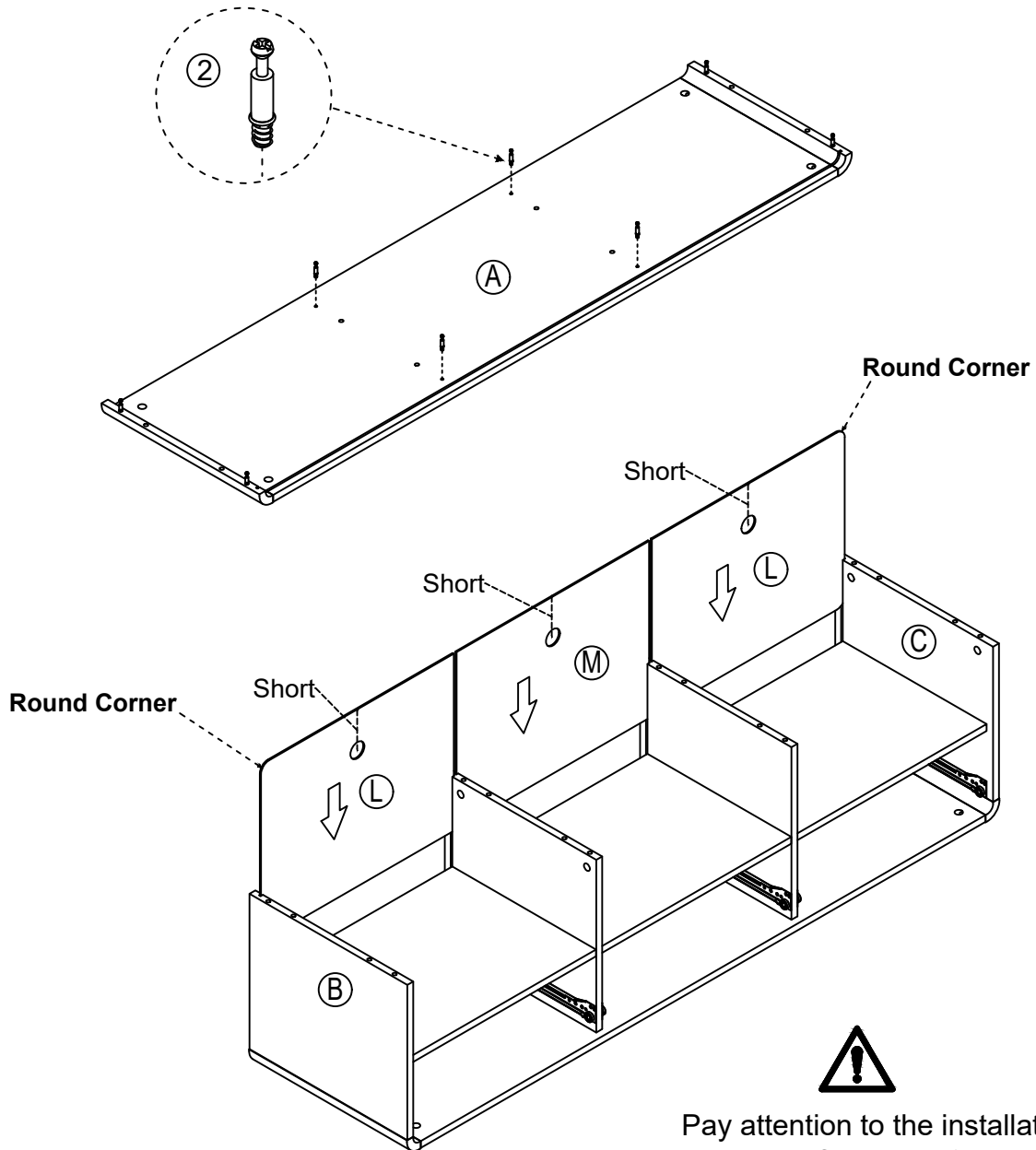
STEP 14

Please tighten the screws after completing all installation.

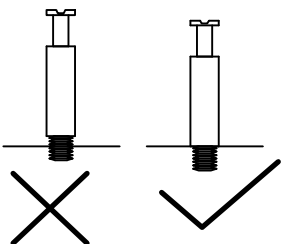
Por favor, apriete los tornillos después de instalar todo.



Ø6.5X35mm Cam Bolt	
2	X4



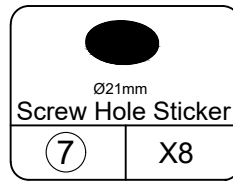
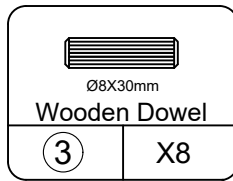
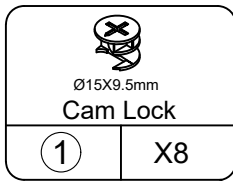
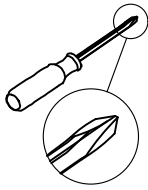
Pay attention to the installation direction of the L and M board.



STEP 15

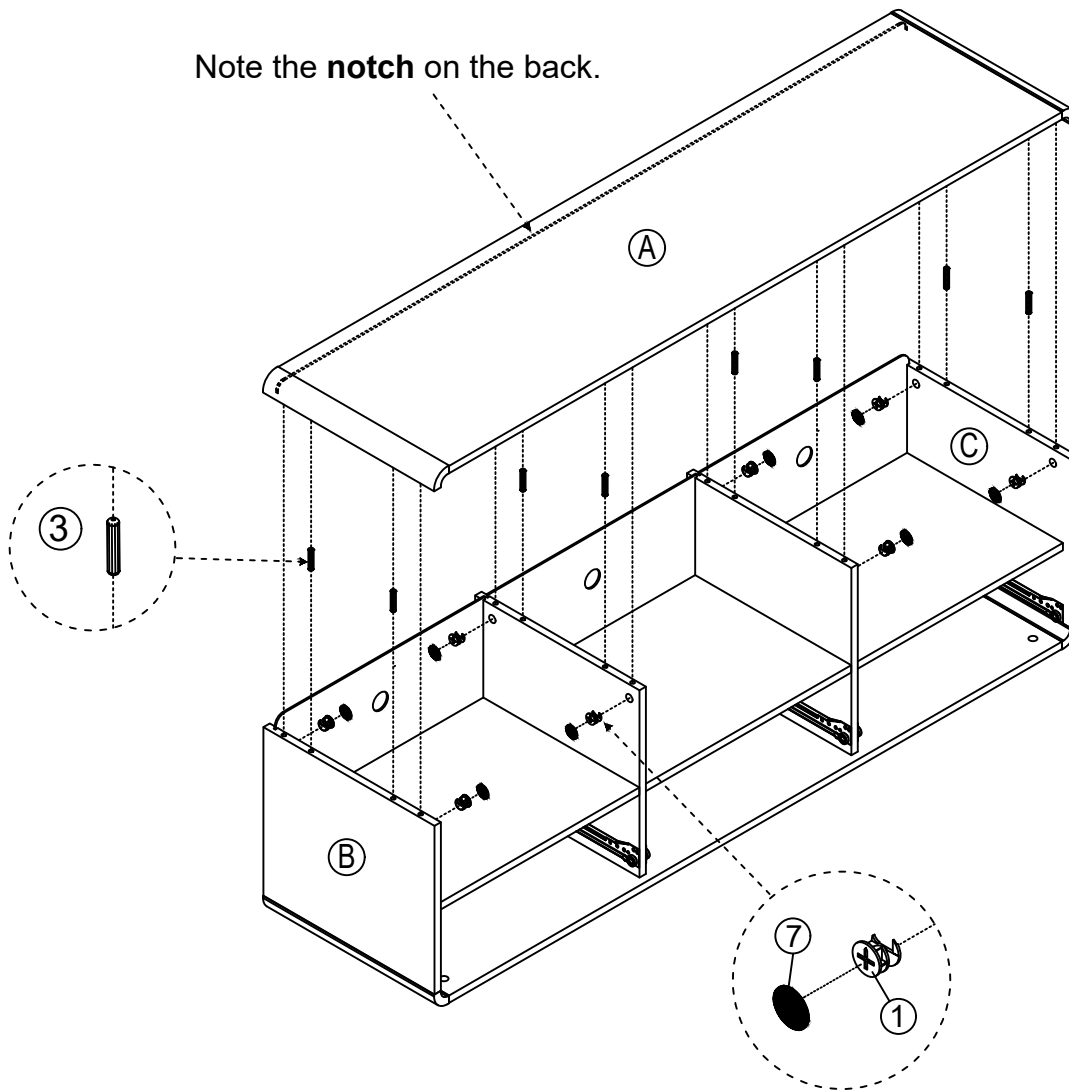
Please tighten the screws after completing all installation.

Por favor, apriete los tornillos después de instalar todo.

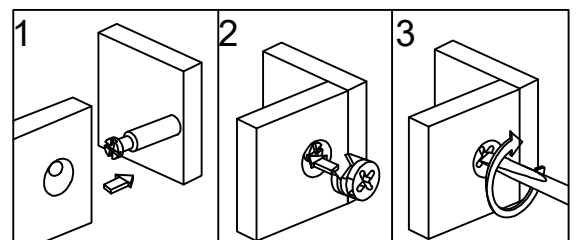


For this step, you need one helper.

Note the **notch** on the back.



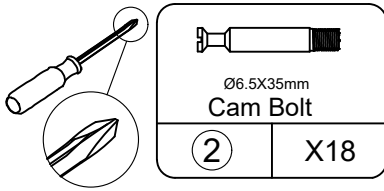
Pay attention to the installation direction of the A board.



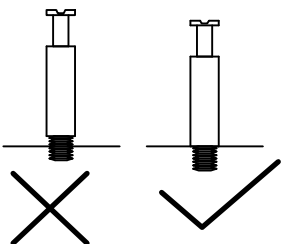
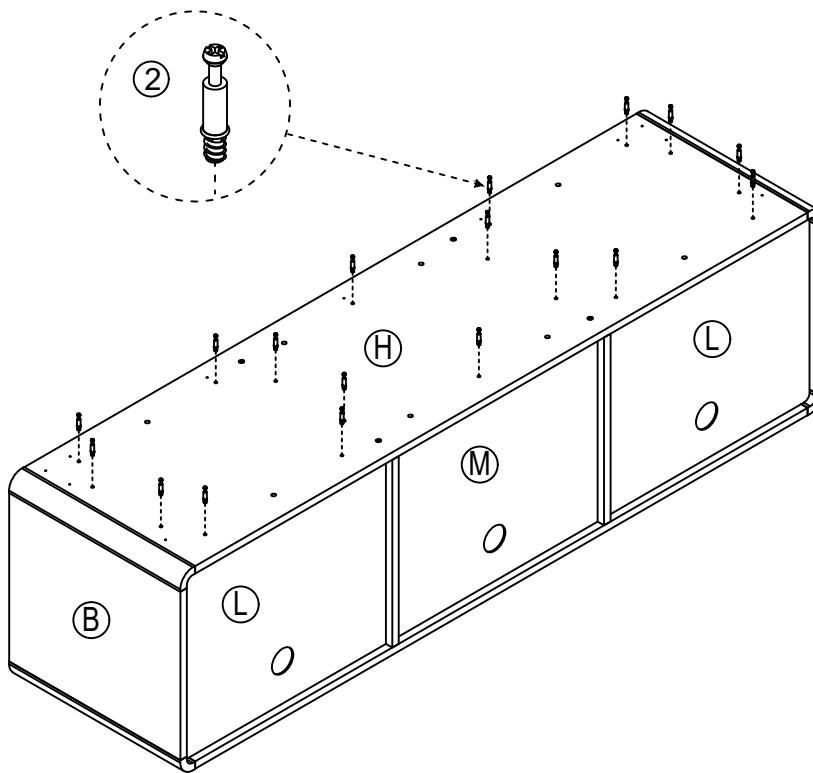
STEP 16

Please tighten the screws after completing all installation.

Por favor, apriete los tornillos después de instalar todo.



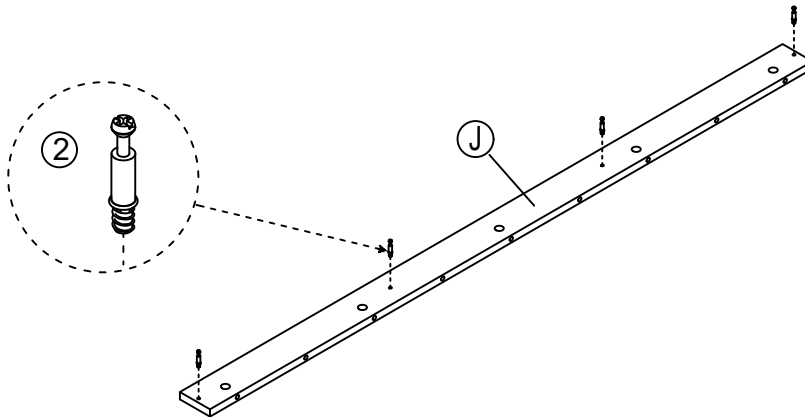
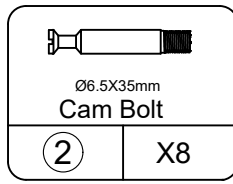
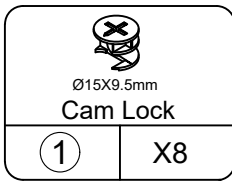
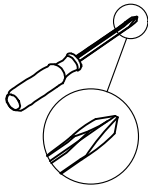
For this step, you need one helper to flip the cabinet.



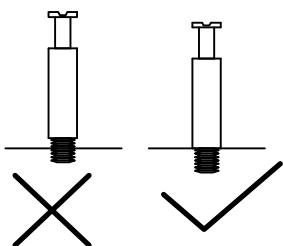
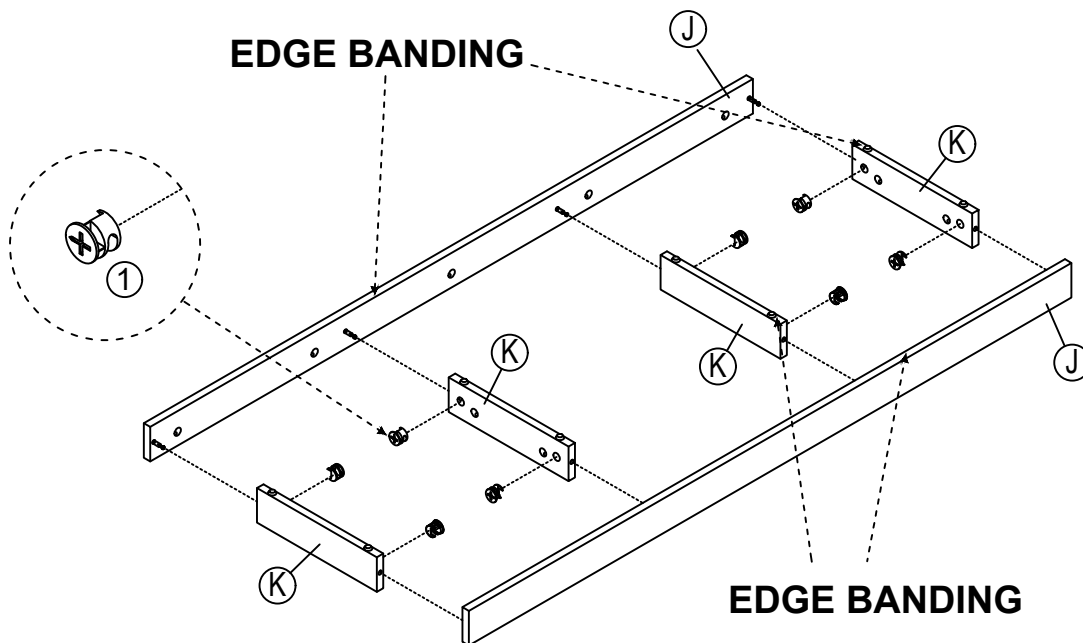
STEP 17

Please tighten the screws after completing all installation.

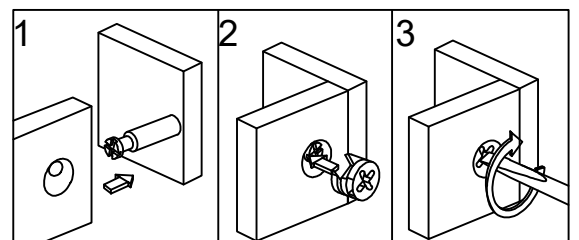
Por favor, apriete los tornillos después de instalar todo.



X2



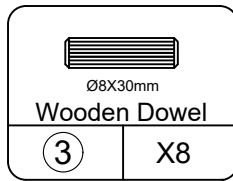
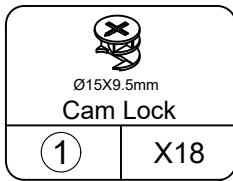
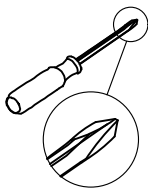
Pay attention to the installation direction of the J and K board.



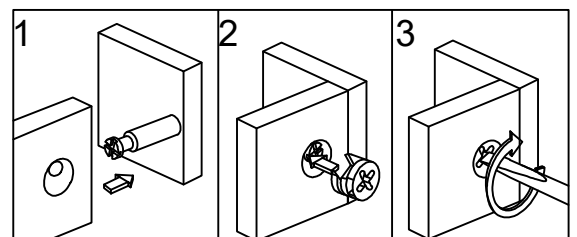
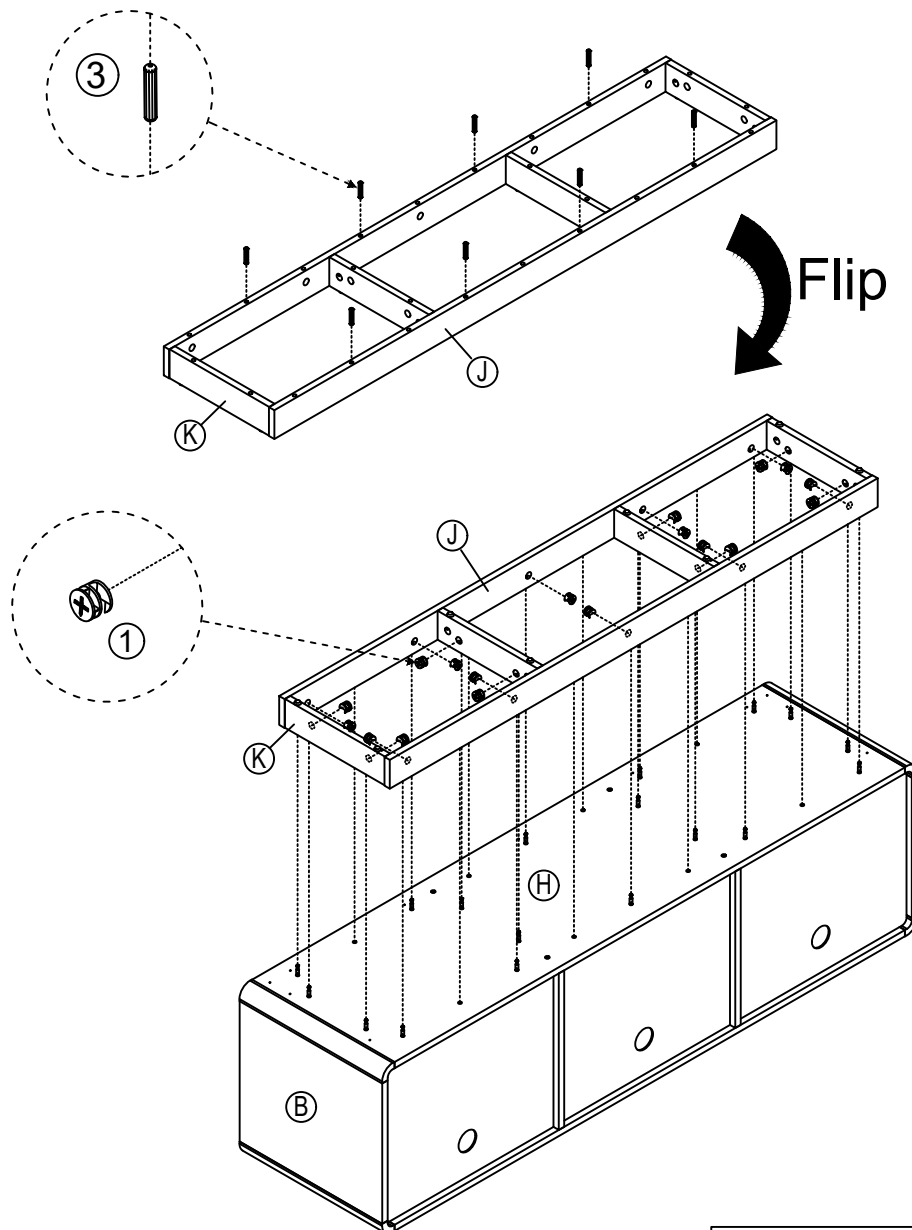
STEP 18

Please tighten the screws after completing all installation.

Por favor, apriete los tornillos después de instalar todo.



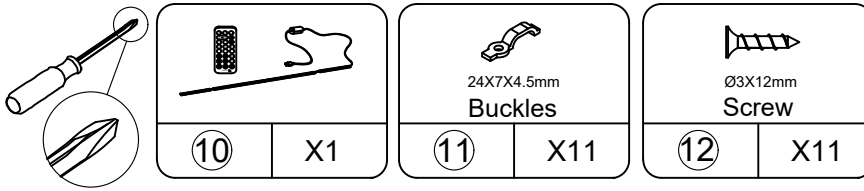
For this step, you need one helper.



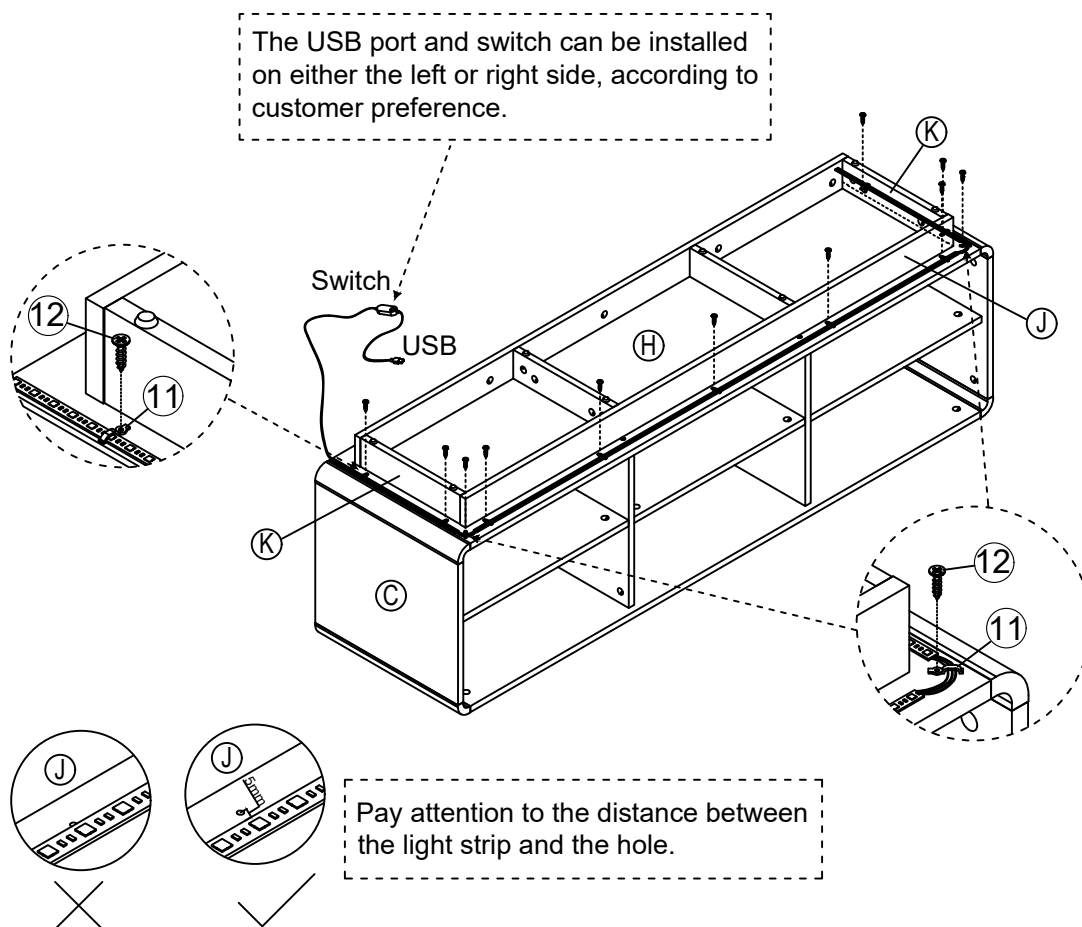
STEP 18

Please tighten the screws after completing all installation.

Por favor, apriete los tornillos después de instalar todo.



Note: Before installation, you need one helper to Turn the cabinet around, ensure that the cabinet is placed in the direction shown in the picture.



Step 1 : Peel the backing off the middle portion of light strip (No. 10). Center and adhere it along the edge of the H-board, making sure to note the required distance from the mounting holes. Finally, secure the light strip in place using parts 11 and 12.

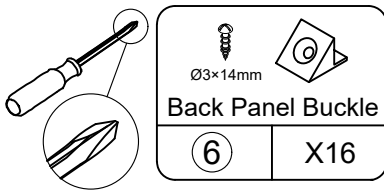
Step 2 : Fix the connecting line between the strip lights to H-board with parts 11 and 12, as shown in the picture.

Step 3 : Peel the protective backing from both ends of the short light strip, adhere them to the edge of the H-board (noting the required distance from the mounting holes), and then secure the ends with parts 11 and 12.

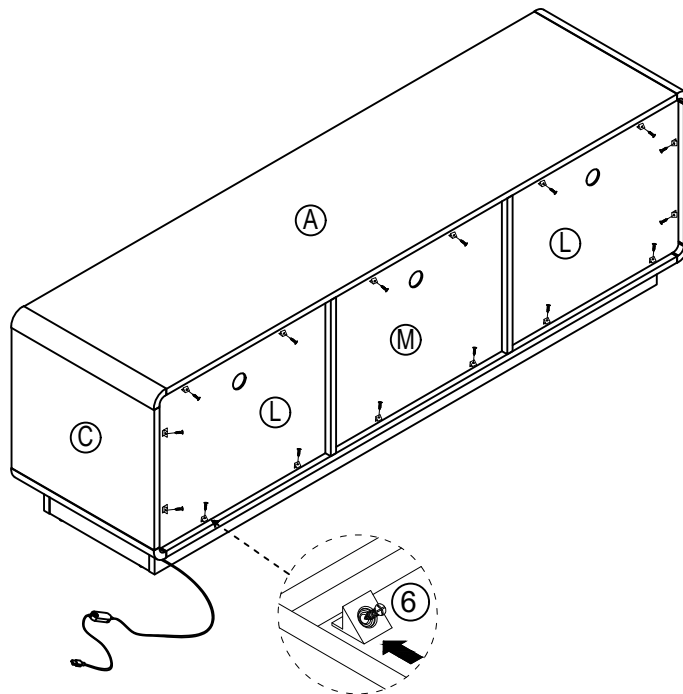
STEP 19

Please tighten the screws after completing all installation.

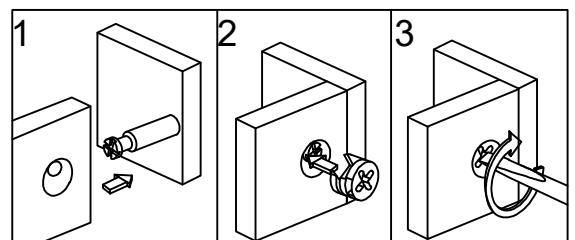
Por favor, apriete los tornillos después de instalar todo.



For this step, you need one helper to flip the cabinet .



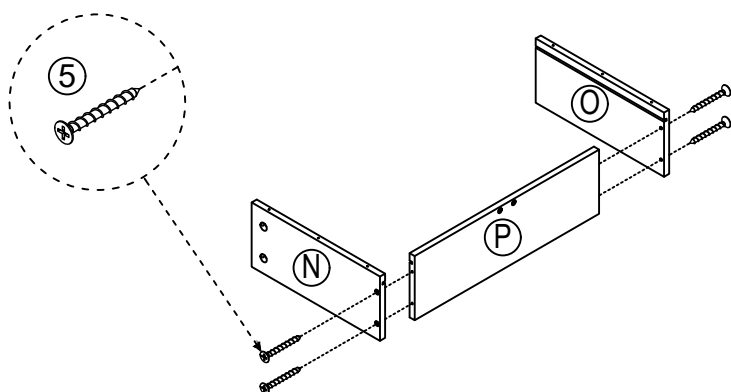
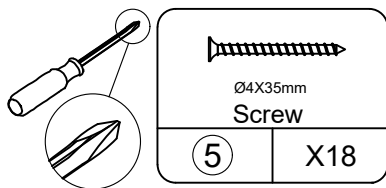
Insert the plastic buckle into the back plate slot , screw through the hole in the plastic buckle and lock it in place.



STEP 20

Please tighten the screws after completing all installation.

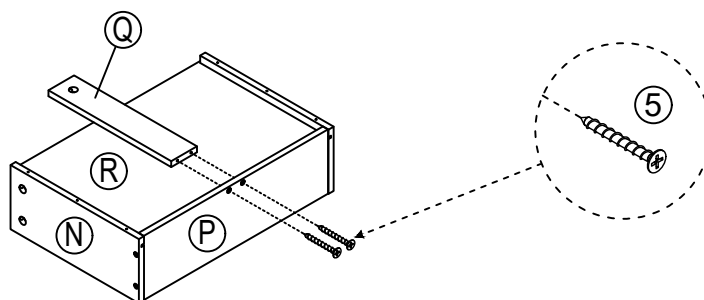
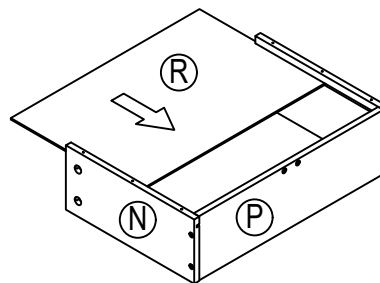
Por favor, apriete los tornillos después de instalar todo.



Step 1

Step 2

Step3

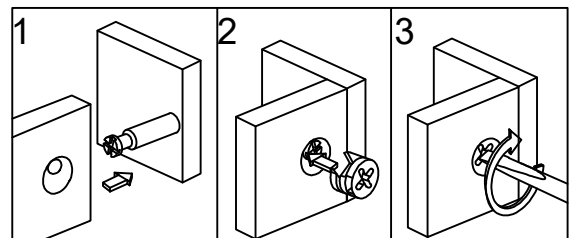
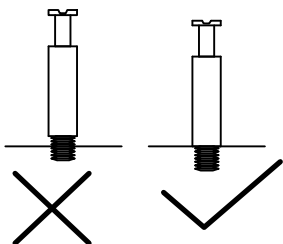
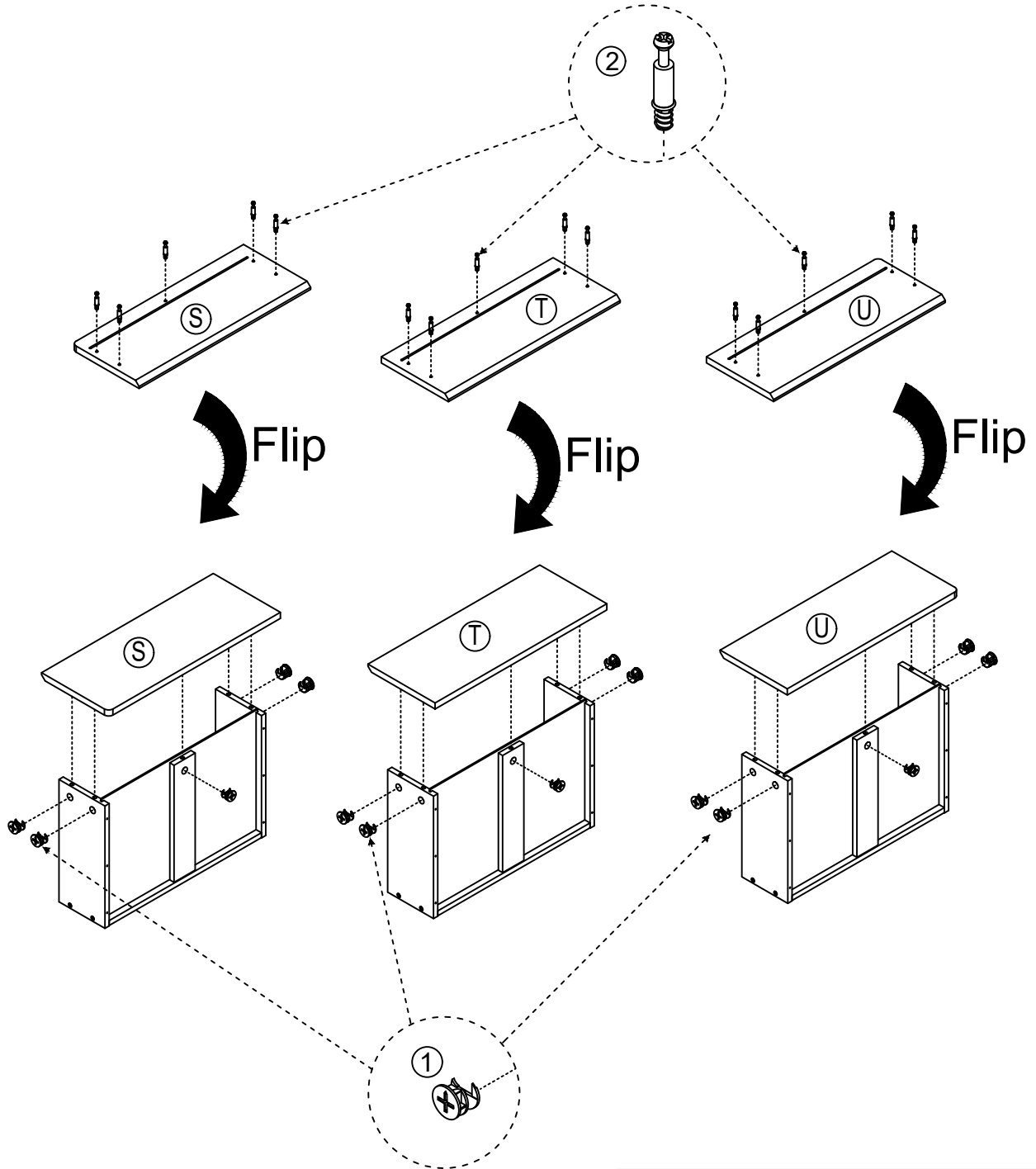
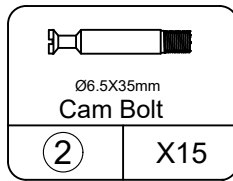
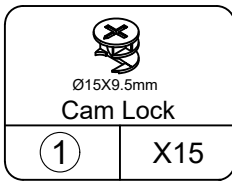
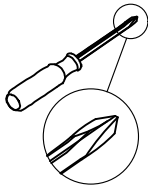


X3

STEP 21

Please tighten the screws after completing all installation.

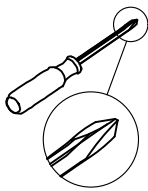
Por favor, apriete los tornillos después de instalar todo.

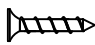



STEP 22


Please tighten the screws after completing all installation.

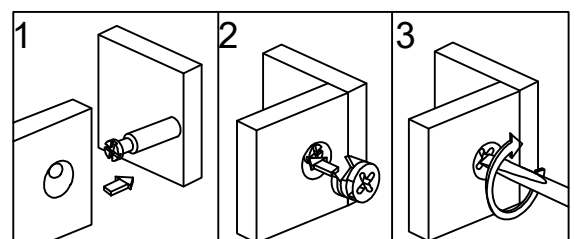
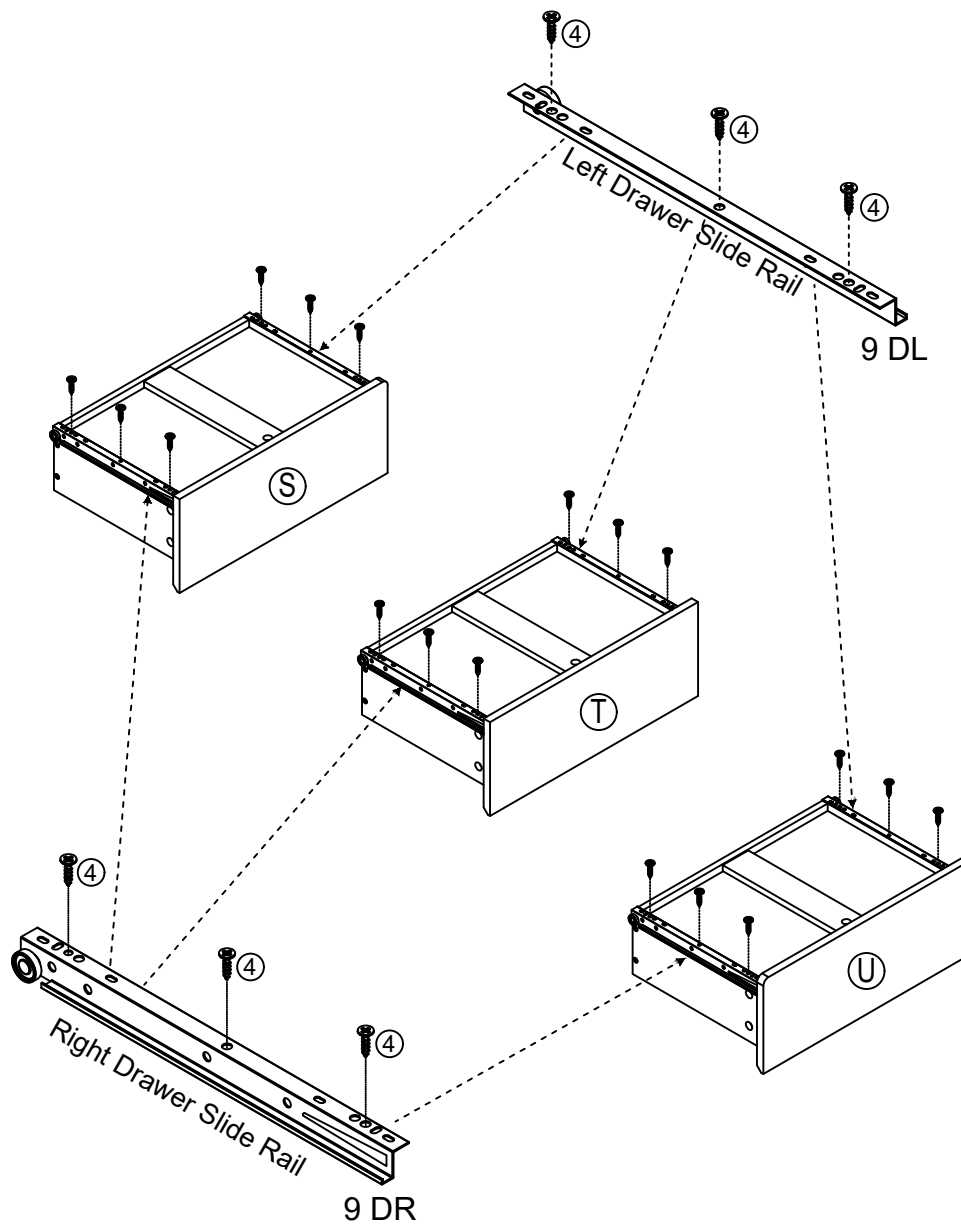
Por favor, apriete los tornillos después de instalar todo.



 Ø3.5X14mm Screw	
4	X18

 Left Drawer Slide Rail	
9 DL	X3

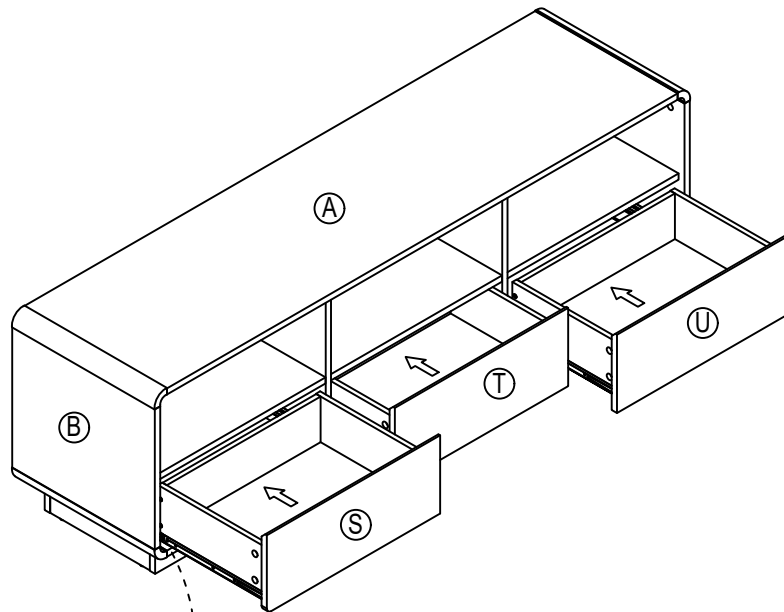
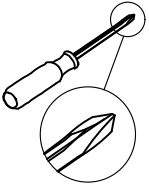
 Right Drawer Slide Rail	
9 DR	X3



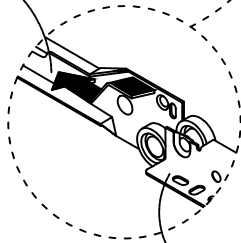
STEP 23

Please tighten the screws after completing all installation.

Por favor, apriete los tornillos después de instalar todo.



Cabinet Slide



Drawer Slide



MAINTENANCE AND CARE

Prevent Moisture Damage:

Safeguard your laminate furniture by keeping it in a dry environment. Store the furniture away from damp areas and water sources.

Sunlight Shielding:

Shield your laminate furniture from direct sunlight to prevent color fading and surface deterioration. Consider using curtains or blinds for protection, especially if direct sunlight exposure is unavoidable.

Regular Care:

Maintain your laminate furniture's appearance by gently wiping surfaces with a damp cloth. Avoid using overly wet cloths or abrasive cleaning tools.

Avoid Scratches:

Protect the furniture surface from scratches by refraining from placing sharp or hard objects on it. When moving the furniture, be cautious not to scrape the legs against the floor.

Proper Weight Distribution:

Prevent structural damage by placing heavy objects on stable support surfaces rather than directly on the laminate furniture's surface. This simple step can prolong the life of your furniture.



WARRANTY INFORMATION

Warranty Coverage: Our warranty provides protection against manufacturing defects in materials and workmanship for a specified period from the date of purchase, as outlined in the accompanying warranty documentation.

Exclusions: The warranty does not cover damages resulting from misuse, negligence, accidents, normal wear and tear, unauthorized repairs or modifications, improper assembly, or failure to adhere to the care and maintenance guidelines provided.

WARRANTY CLAIM PROCESS

To initiate a return, please follow these steps:

1. Log into your account and go to the "Your Orders" section.
2. Locate the order containing the item you wish to return.
3. Contact our customer service for assistance in obtaining a prepaid return label.
4. Once you receive the return label, securely affix it to the package.
5. You can then choose to drop off the package at a designated carrier location or arrange for a pickup.
6. After we receive and inspect the returned product, we will initiate the refund process.
7. The refund will be credited back to the original payment method used during the purchase.
8. Typically, refunds are processed within 3-5 business days.



MANTENIMIENTO Y CUIDADO

Evite daños por humedad:

Proteja sus muebles laminados manteniéndolos en un ambiente seco. Guarde los muebles lejos de zonas húmedas y fuentes de agua.

Protéjalos de la luz solar:

Proteja sus muebles laminados de la luz solar directa para evitar la pérdida de color y el deterioro de la superficie. Considere el uso de cortinas o persianas como protección, especialmente si la exposición directa a la luz solar es inevitable.

Cuidado regular:

Mantenga el aspecto de sus muebles laminados limpiando suavemente las superficies con un paño húmedo. Evite utilizar paños demasiado húmedos o herramientas de limpieza abrasivas.

Evite los arañazos:

Proteja la superficie del mueble de arañazos evitando colocar objetos afilados o duros sobre ella. Al mover el mueble, tenga cuidado de no raspar las patas contra el suelo.

Distribución adecuada del peso:

Evite daños estructurales colocando objetos pesados sobre superficies de apoyo estables en lugar de directamente sobre la superficie del mueble laminado. Este sencillo paso puede prolongar la vida de sus muebles.



INFORMACIÓN SOBRE LA GARANTÍA

Cobertura de la garantía: Nuestra garantía proporciona protección contra defectos de fabricación en materiales y mano de obra durante un período determinado a partir de la fecha de compra, como se indica en la documentación de garantía adjunta.

Exclusiones: La garantía no cubre los daños resultantes de uso indebido, negligencia, accidentes, desgaste normal, reparaciones o modificaciones no autorizadas, montaje incorrecto o incumplimiento de las directrices de cuidado y mantenimiento proporcionadas. Las directrices de cuidado y mantenimiento proporcionadas.

PROCESO DE RECLAMACIÓN DE LA GARANTÍA

Para iniciar una devolución en, siga estos pasos:

1. Accede a tu cuenta de y ve a la sección "Tus pedidos".
2. Localiza el pedido que contiene el artículo que deseas devolver.
3. Ponte en contacto con nuestro servicio de atención al cliente para que te ayuden a obtener una etiqueta de devolución prepagada.
4. Una vez que reciba la etiqueta de devolución, fíjela firmemente al paquete.
5. A continuación, puede optar por depositar el paquete en el lugar designado por el transportista o solicitar que lo recojan.
6. Después de que recibamos e inspeccionemos el producto devuelto, iniciaremos el proceso de reembolso.
7. El reembolso se abonará de nuevo al método de pago original utilizado durante la compra.
8. Normalmente, los reembolsos se procesan en un plazo de 3 a 5 días laborables.