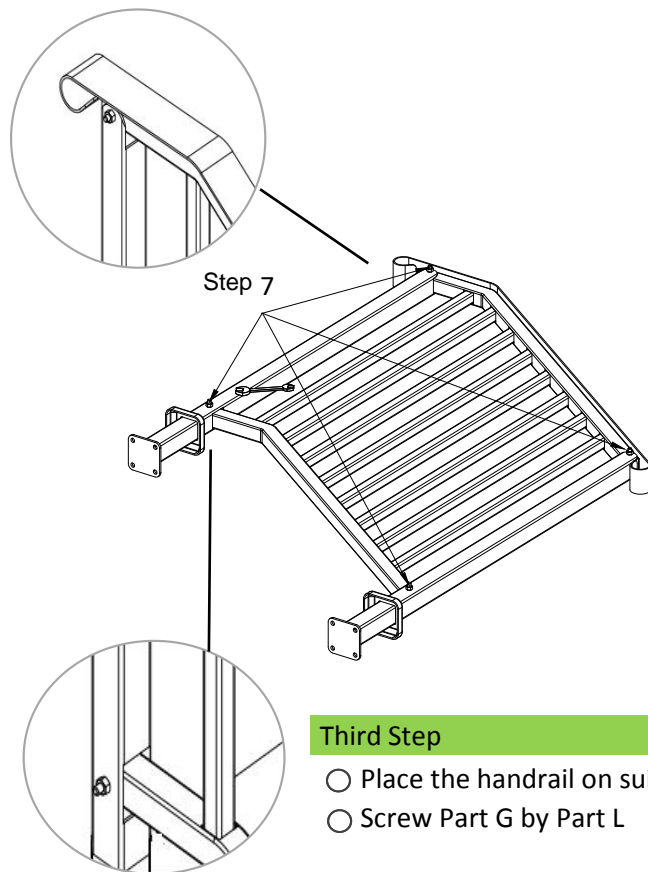


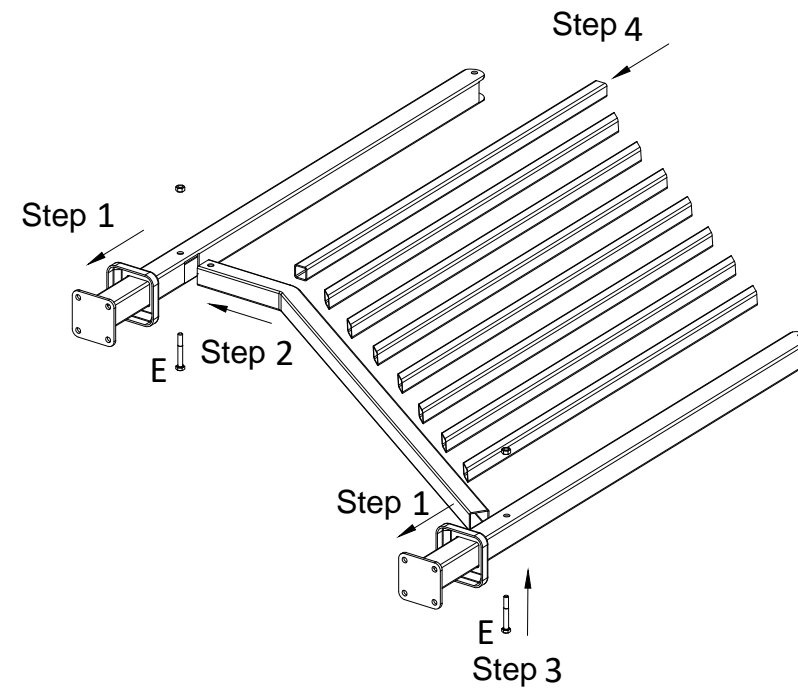
# USER MANUAL

A 2pcs	B 1pcs	C 1pcs	D 7pcs	E 1pcs	
F 2pcs	G 4pcs	H 4pcs	I 4pcs	J/K 8/8pcs	L 1pcs



### Third Step

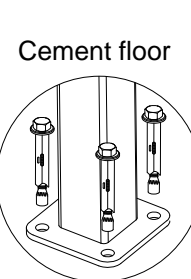
- Place the handrail on suitable stairs
- Screw Part G by Part L



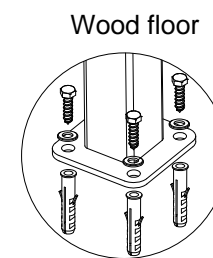
Please put all parts on the ground.

### First Step

- Put Part #F into Part# A
- Connect Part#B and Part#A (two) with Part #G
- Put Part#C and Part #D into holes of Part B  
(Please pay attention to the direction of Part#D as shown in the figure)

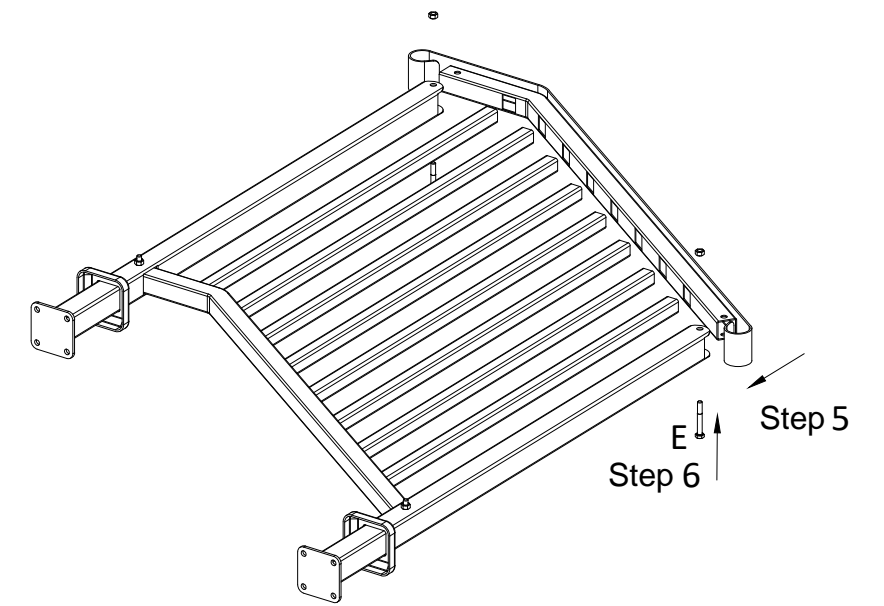


Need an electric drill  
to drill 12mm hole



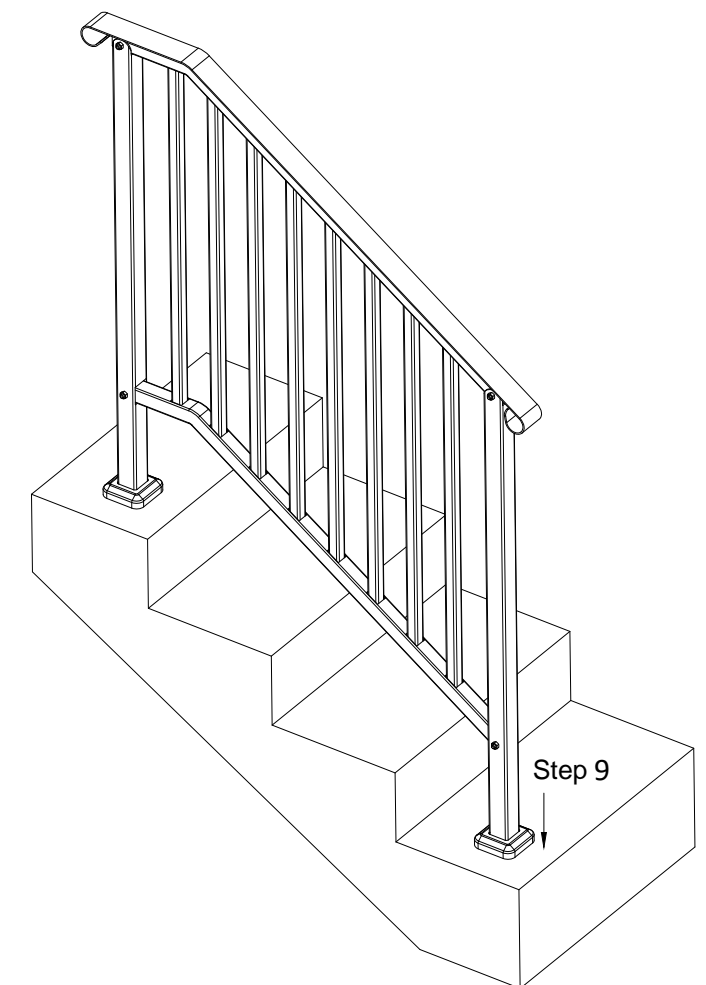
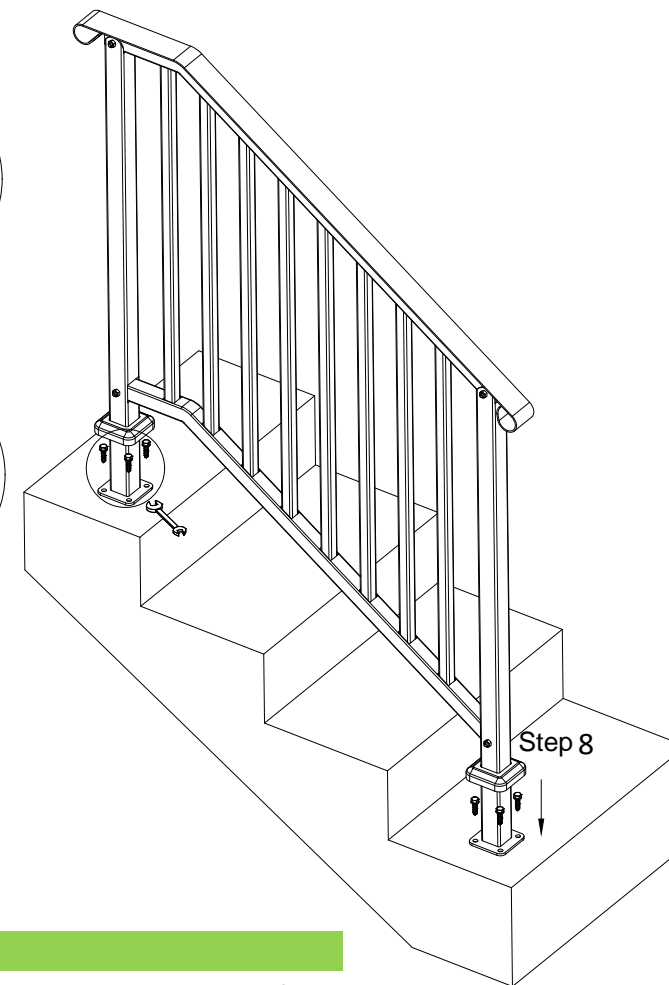
### Forth Step

- Mark hole sites on stairs tracing four holes of Part A
- Leave the handrail alone and drill down according to the mark with a 12 MM driller
- Align the handrail and holes, Knock nails (part K/J) into the ground with hammer  
(Cement floor and marble floor, please using Part K; Timber floor, please using Part J)



### Second Step

- Connect Part #E (the short side) and Part #A with Part# G&I
- Put the other side of Part C and Part D into holes of Part E
- Connect Part E ( the long side) and Part A with Part G&I



Tips: Avoiding mistakes, when processing the first and second step, we suggest do not connect parts tightly.