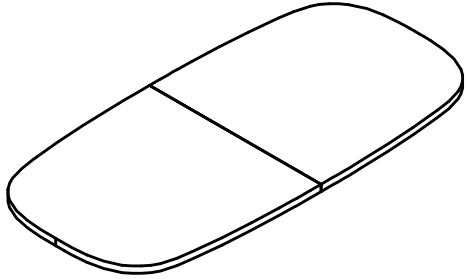
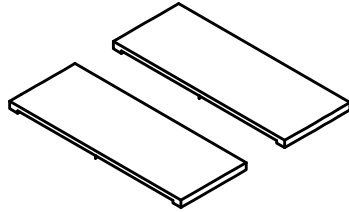


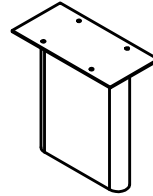
**P1** Top (x 1)



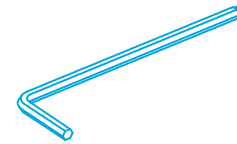
**P1** Top (x 1)



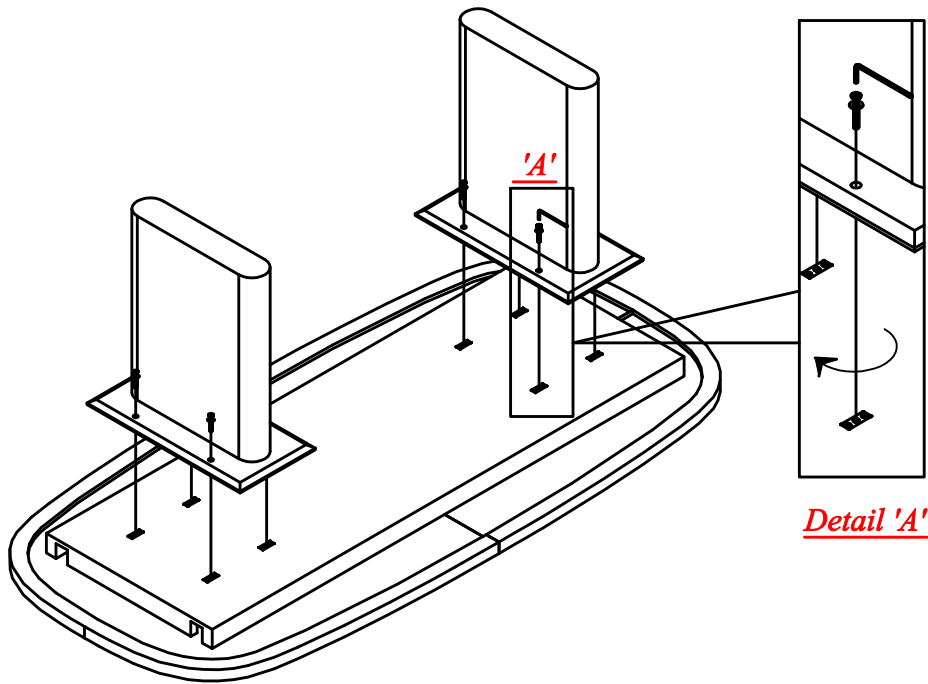
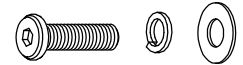
**P2** Base (x 2)



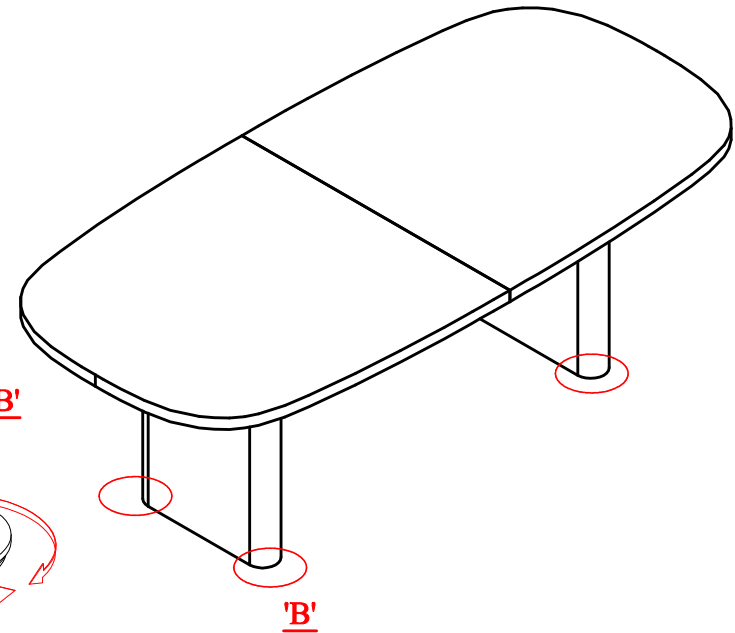
**H1** Steel allen wrench (x 1)



**H2** Steel allen bolt , washer & lock (x 8)



Detail 'A'

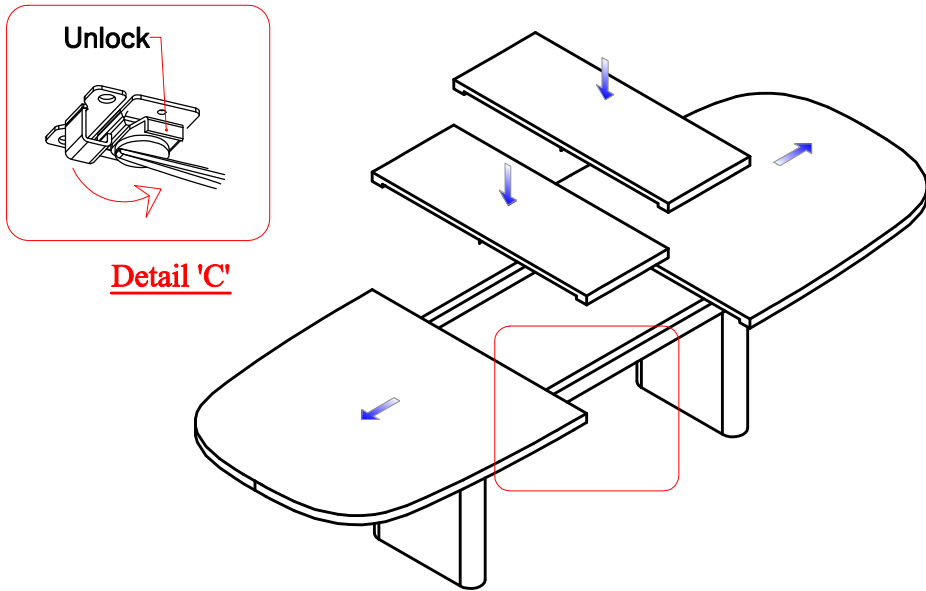


Detail 'B'

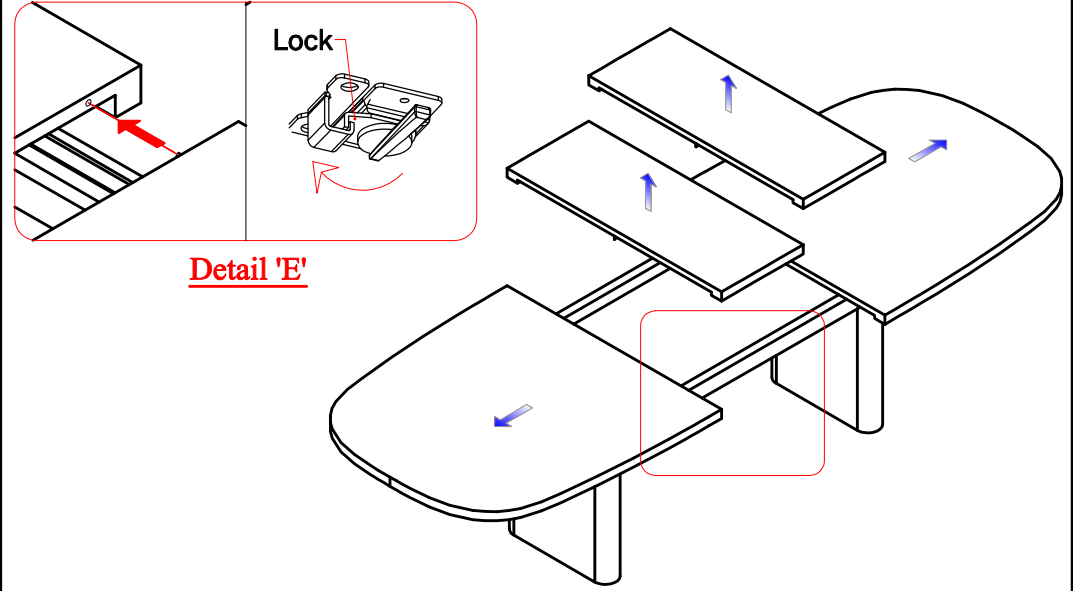
Adjustable glider

'B'

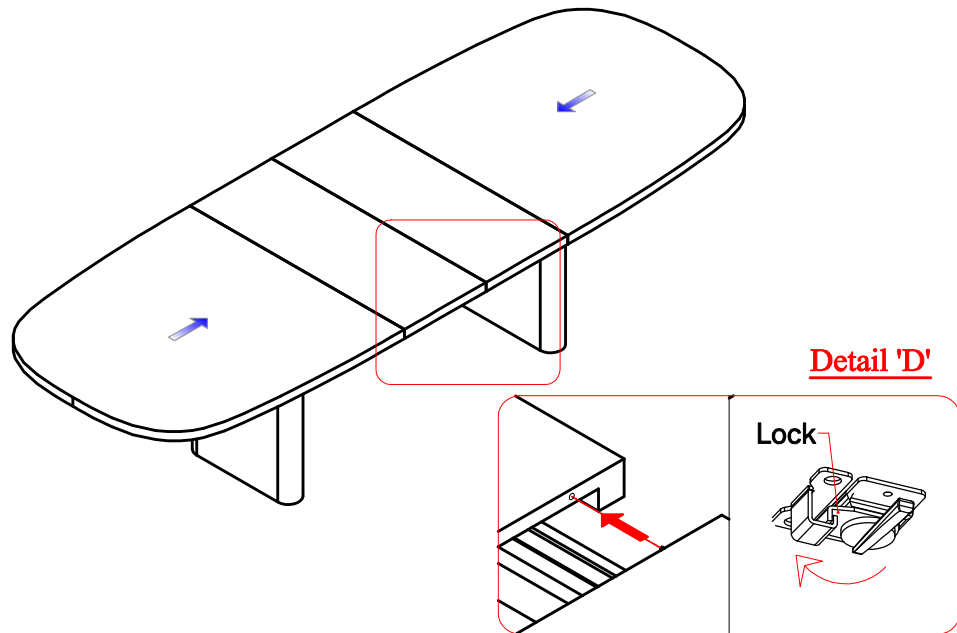
Sketch 1



Sketch 3



Sketch 2



Sketch 4

