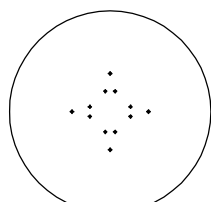
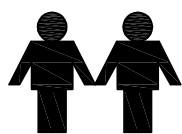
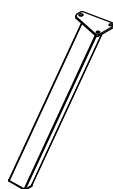


# JA7244RA-FM ASSEMBLY INSTRUCTION



A × 1pc

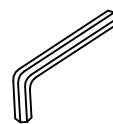


B × 4pcs

+Spare × 2



M8\*20mm  
C × 14pcs



6#  
D × 1pc

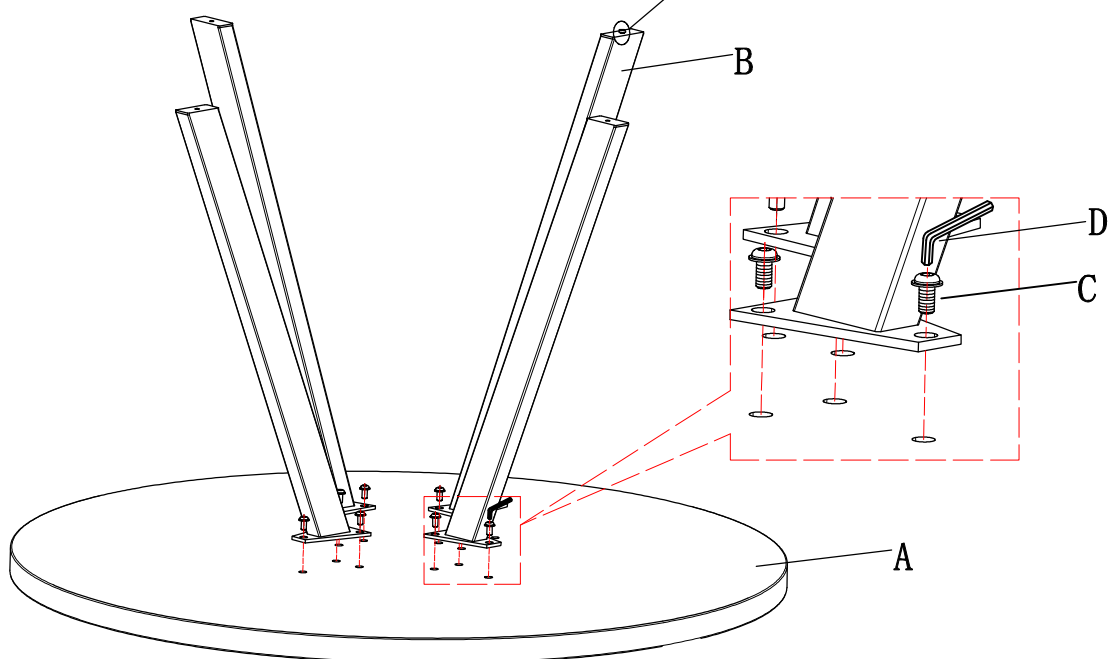
+Spare × 1



E × 1pc



STEP:1



STEP:2

