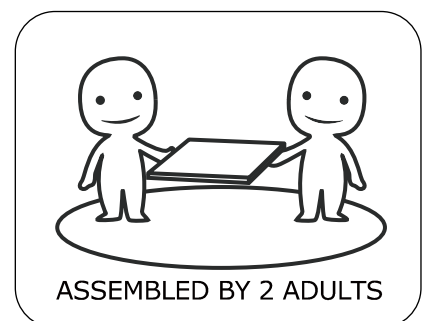
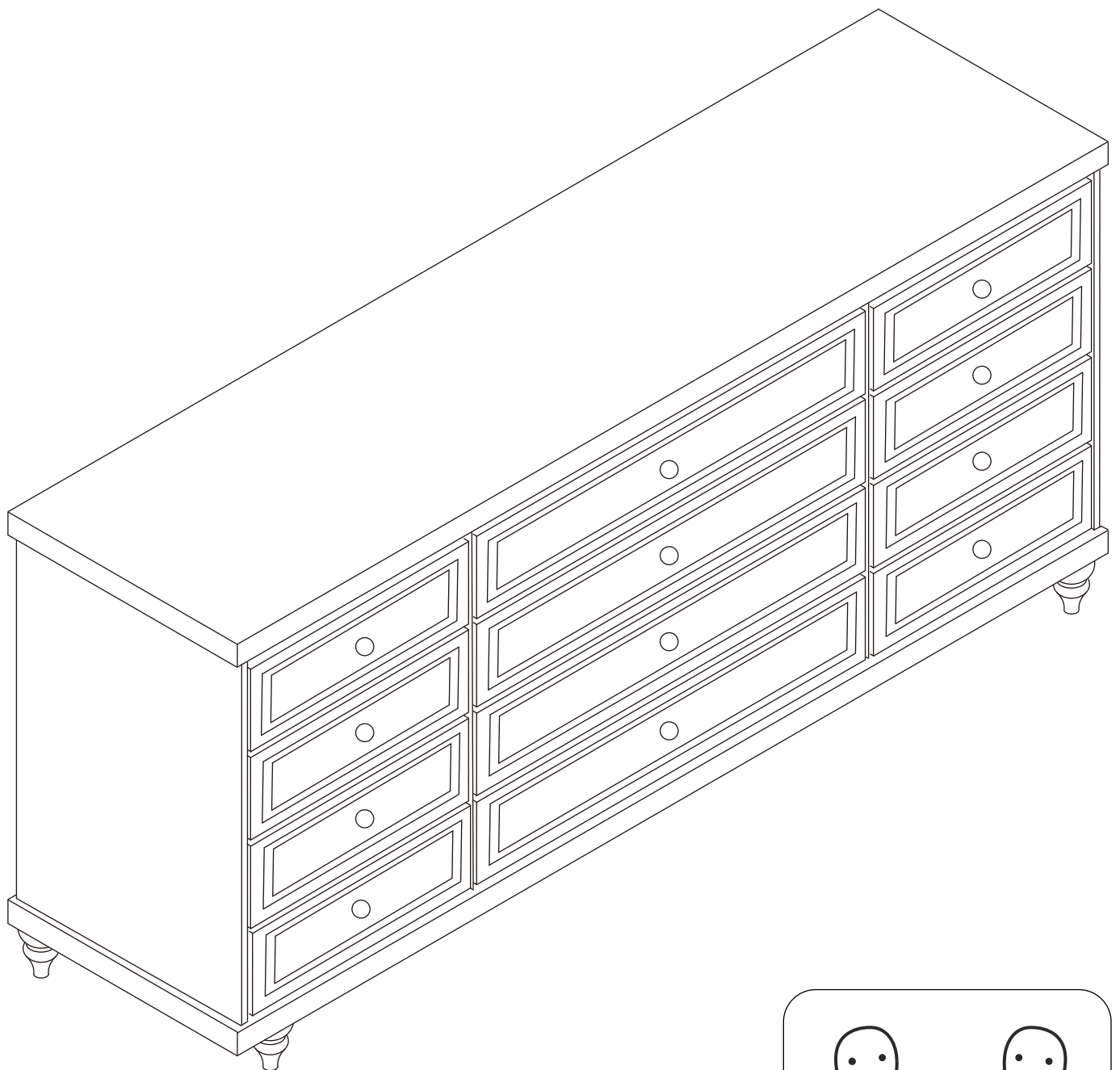
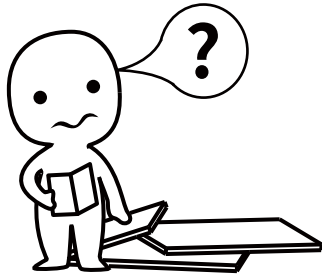


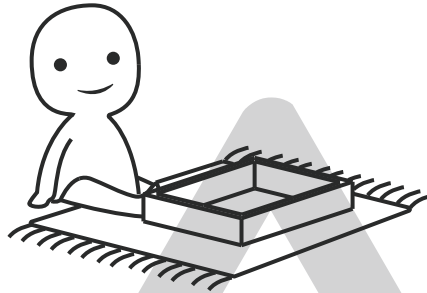
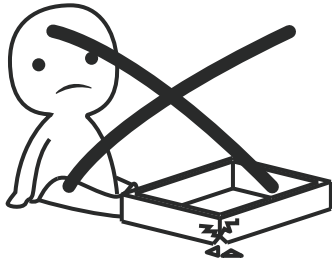
# Dresser





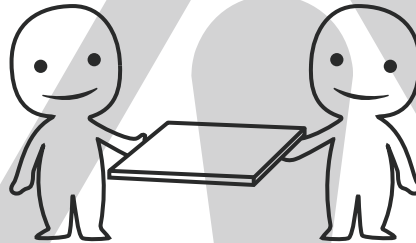
### **IMPORTANT INFORMATION!**

please read the entire manual before starting to assemble and/or using this product. follow the manual thoroughly and keep it for further reference.



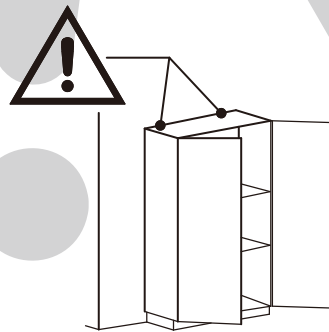
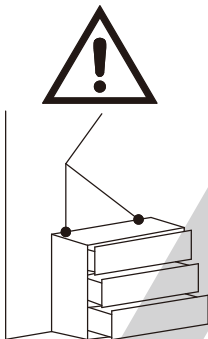
### **AVOID SCRATCHES!**

In order to avoid scratching this furniture should be assembled on a soft layer—could be a rug.



### **IMPROVE EFFICIENCY !**

Try to find a partner to install with you, which can speed up the installation efficiency and shorten the time.



### **ANTI-TOPPLE WARNING !**

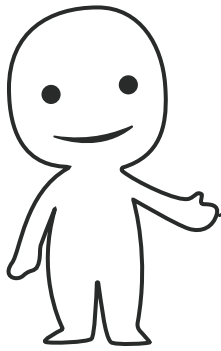
Overtipped furniture can cause serious or fatal crush injuries. To prevent tipping over, be sure to use the wall attachment, if not included with this product. Please purchase the wall attachment that fit your wall. If unsure, seek professional advice. Please read and follow each step of the instructions carefully.

### **IMPORTANT !**

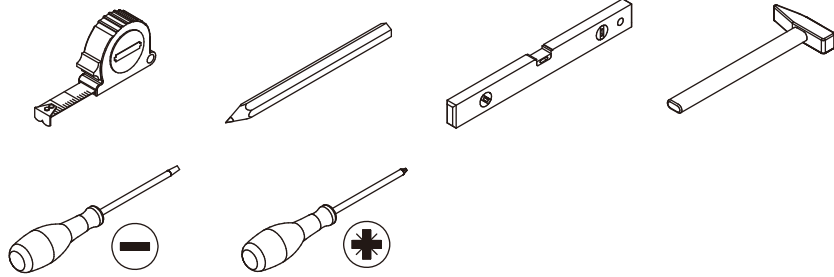
It is important that any product which is assembled using any kind of screw is re-tightened 2 weeks after assembly, and once every 3 months - in order to assure stability through-out the lifespan of the product.

For regular maintenance and cleaning of the product, for the frame, please use a rag dipped in neutral detergent to fully wipe it, and then dry it with a clean rag. For glass materials, wipe with a rag dampened with water glass cleaner, and then dry with a dry rag.

Do not use an electric screwdriver, and do not use too much force when installing, because the board is easy to break.

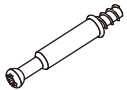


Please prepare the following tools



When installing, please carefully confirm whether each screw corresponds to the manual, accessories with similar shapes can be distinguished by size

A x 74



Ø6 x 35 mm

B x 104



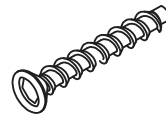
Ø3 x 10 mm

C x 74



Ø15 x 12 mm

E x 6



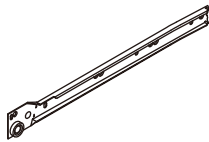
Ø6 x 4 mm

F x 52

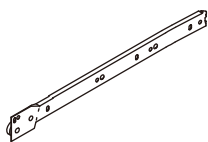


Ø4 x 30 mm

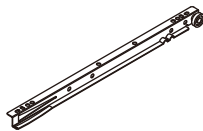
G x 12



H x 12



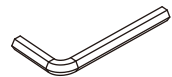
J x 12



K x 12



L x 1



M x 12

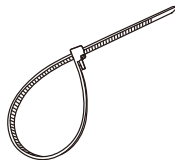


N x 12

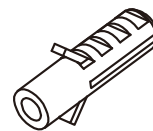


Ø4 x 16 mm

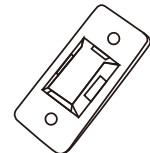
O x 2



P x 4



Q x 4



S x 4

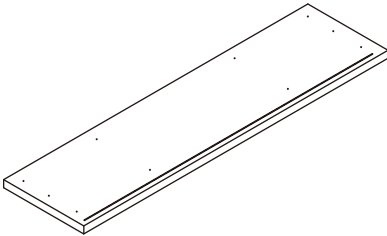
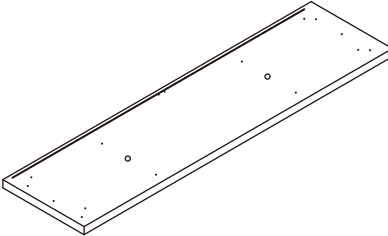
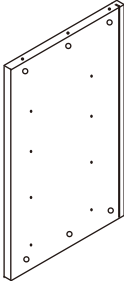
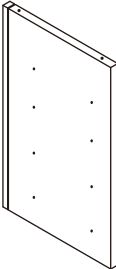
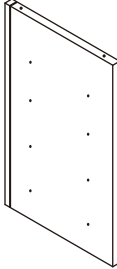
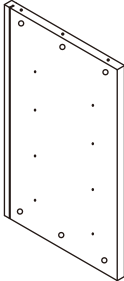
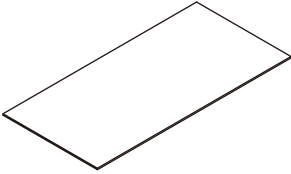
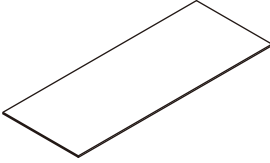
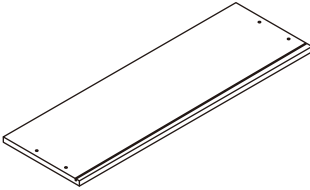
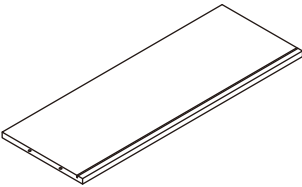
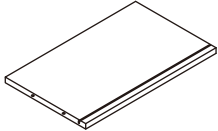
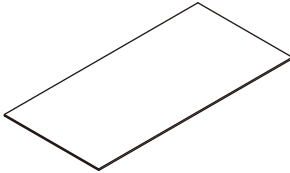
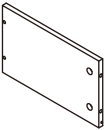
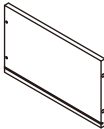
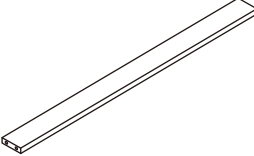

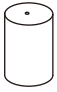
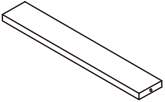
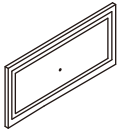
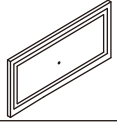


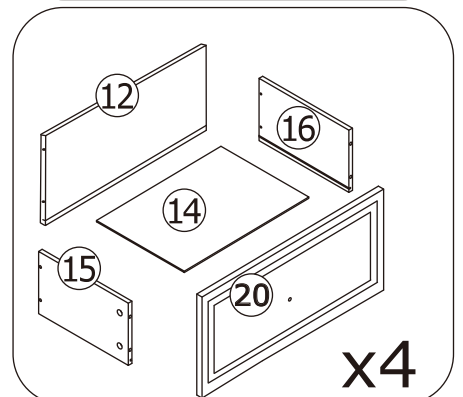
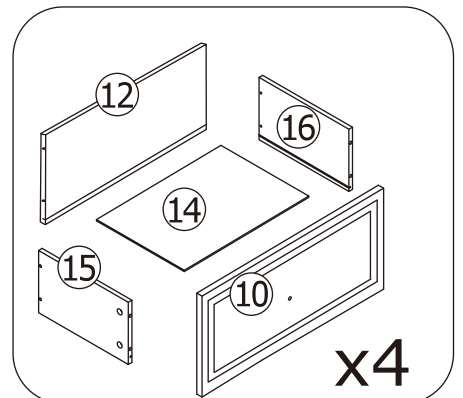
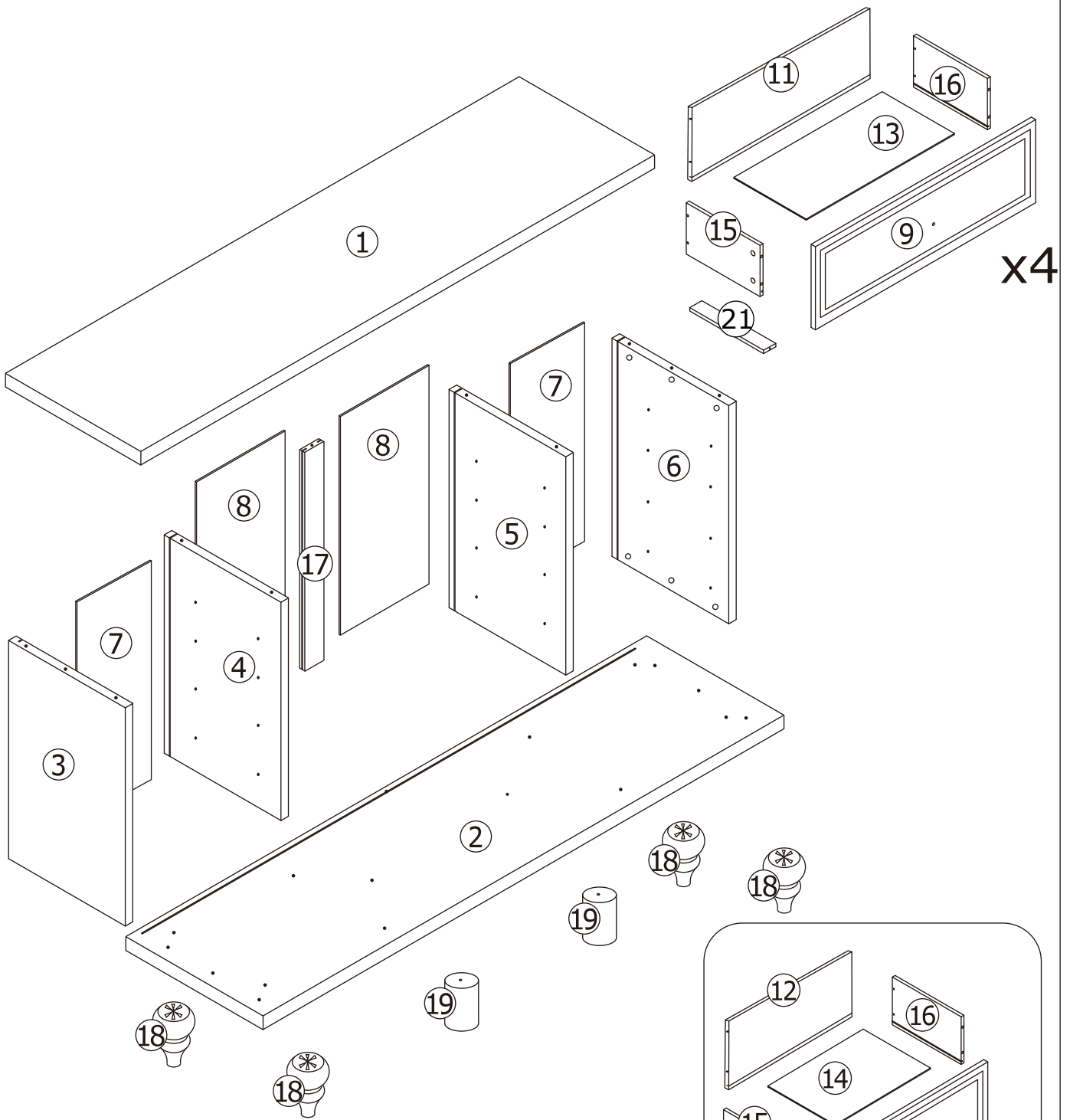
T x 4



W x 8



					
1	1 PC	2	1 PC	3	1 PC
					
4	1 PC	5	1 PCS	6	1 PC
					
7	2 PCS	8	2 PCS	9	4 PCS
					
11	4 PCS	12	8 PCS	13	4 PCS
					
15	12 PCS	16	12 PCS	17	1 PC
					
18	4 PC	19	2 PCS	21	4 PCS
					
10	4 PCS	20	4 PCS		



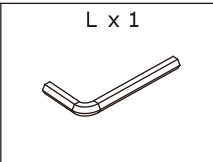
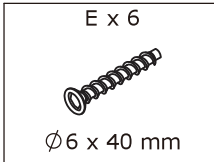
**⚠ WARNING**

**Children have died from furniture tipover. To reduce the risk of furniture tipover:**

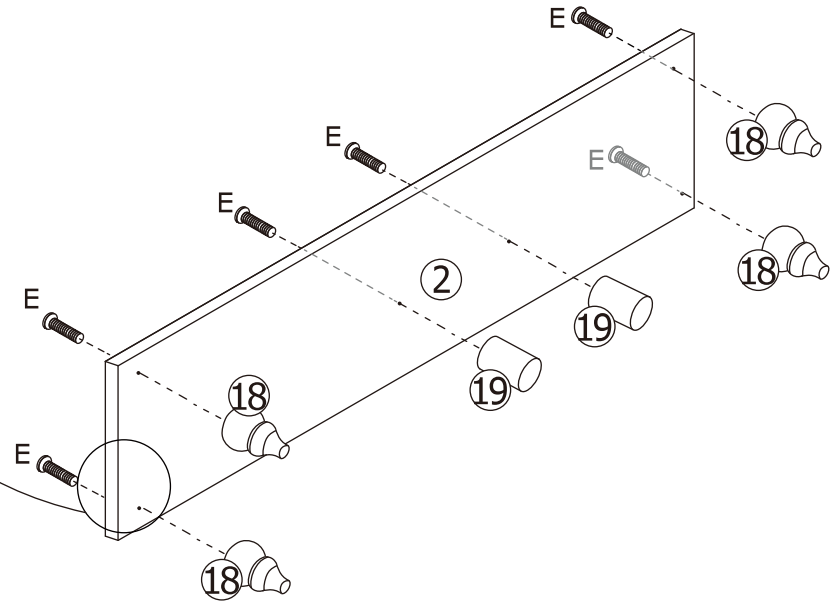
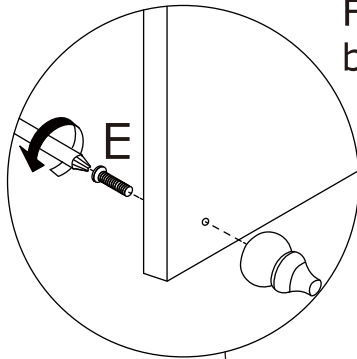
- ALWAYS install tipover restraint provided.
- NEVER put a TV on this product.
- NEVER allow children to stand, climb or hang on drawers, doors, or shelves.
- NEVER open more than one drawer at a time.
- Place heaviest items in the lowest drawers.

*This is a permanent label. Do not remove!*

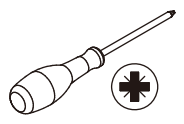
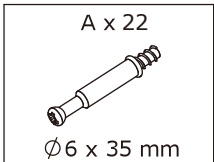
1



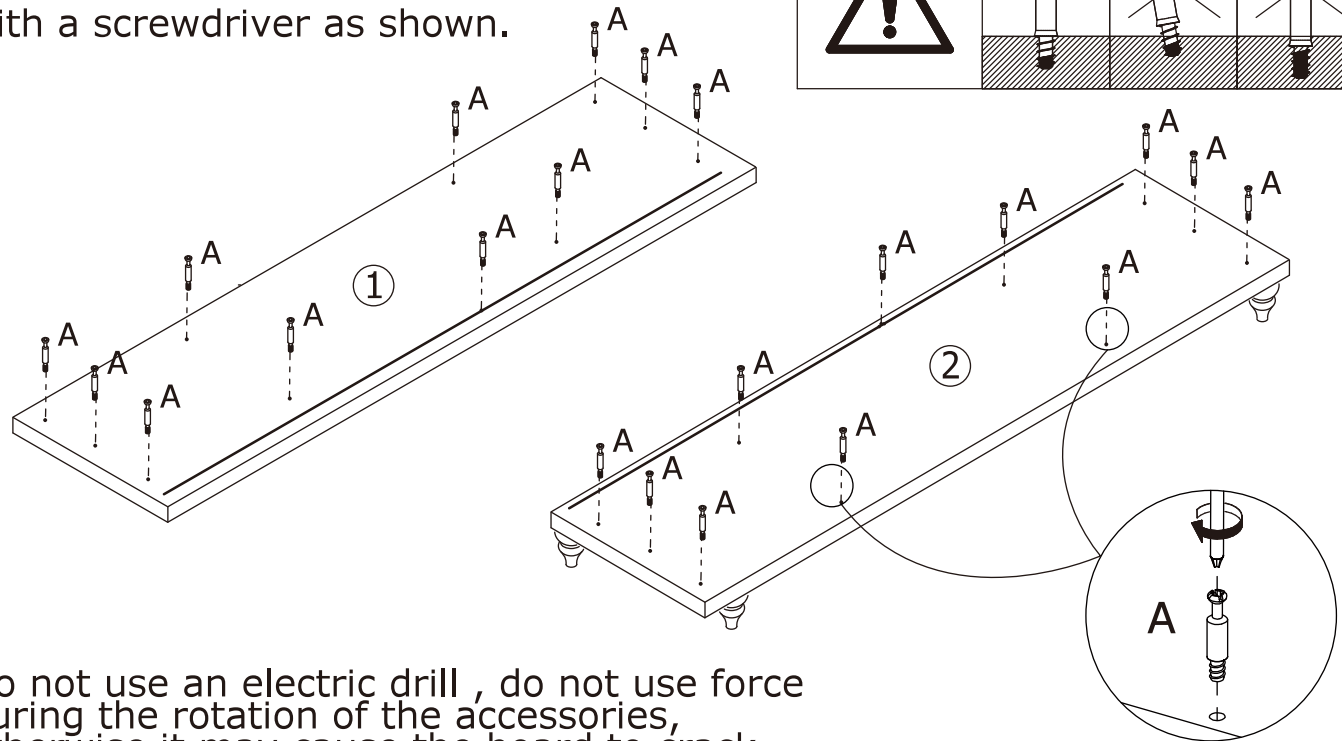
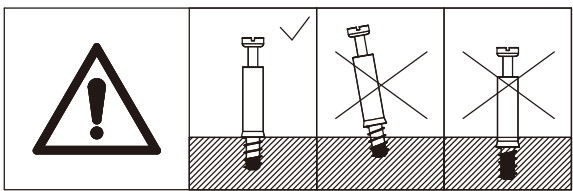
Fix No.18 leg and No.19 leg support to bottom of No.2 plate with screw(E) as shown.



2

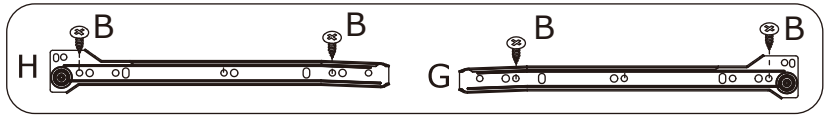
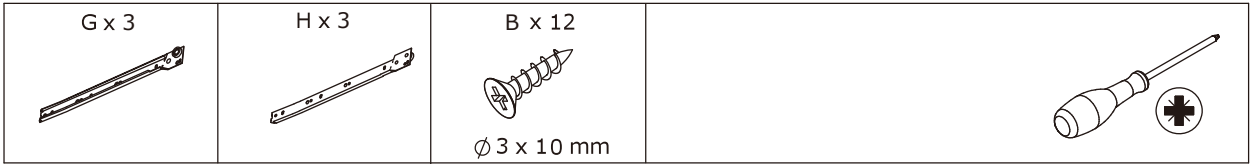


Insert quickfit screw(A) into corresponding holes in No.1 and No.2 plate with a screwdriver as shown.



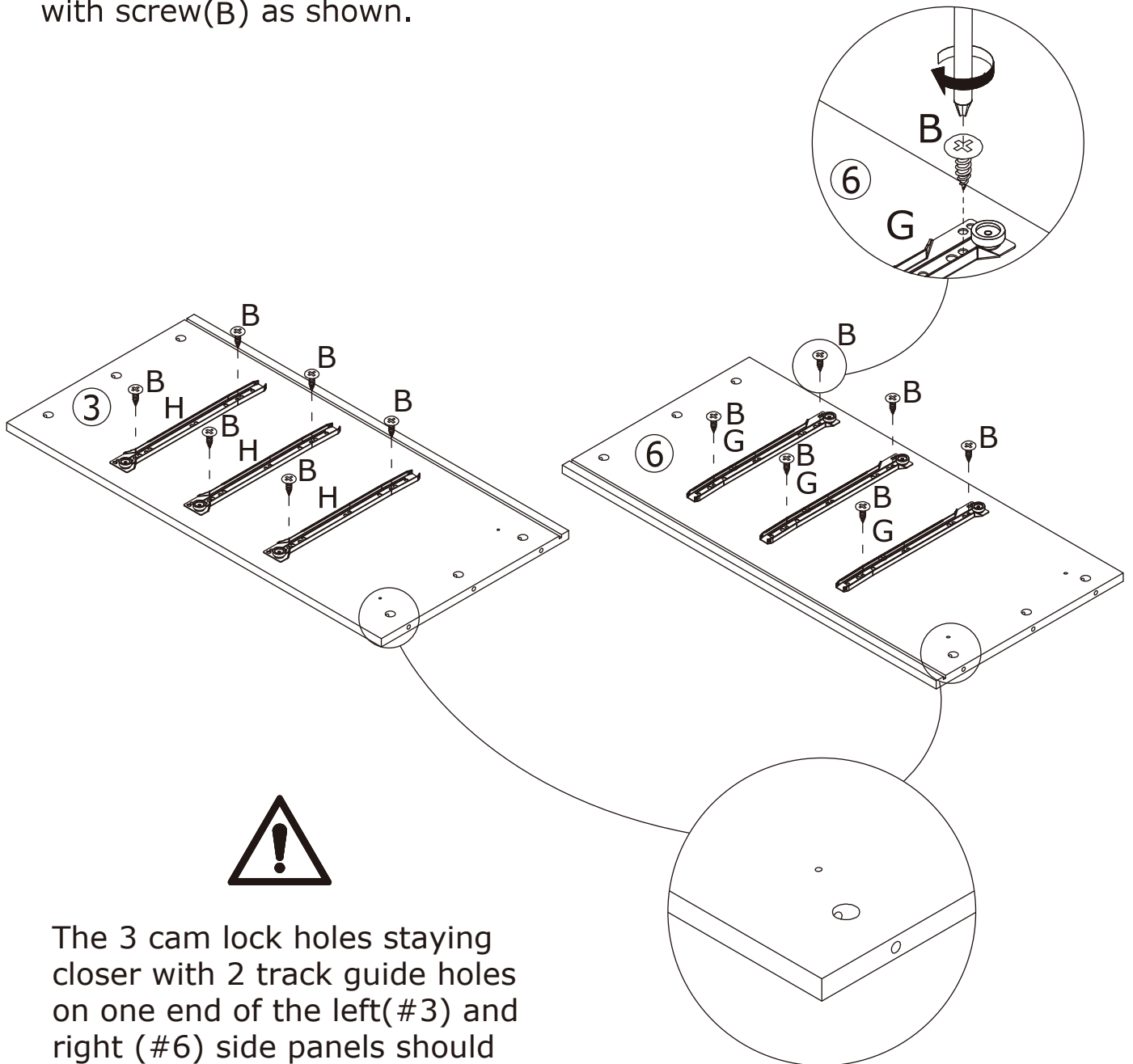
Do not use an electric drill , do not use force during the rotation of the accessories, otherwise it may cause the board to crack .

3



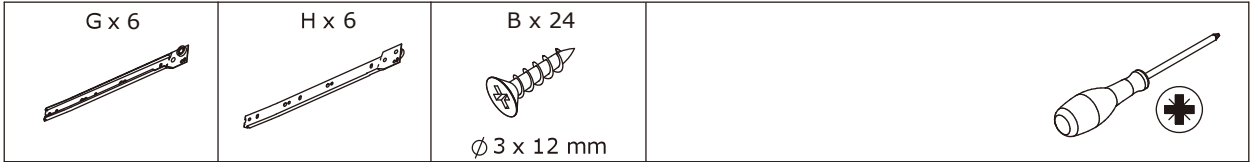
Fix slide rail(H) to No.3 plate with screw(B) as shown.

Fix slide rail(G) to No.6 plate with screw(B) as shown.

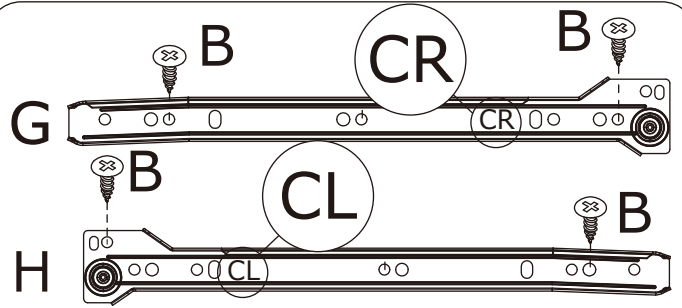


The 3 cam lock holes staying closer with 2 track guide holes on one end of the left(#3) and right (#6) side panels should be placed face down.

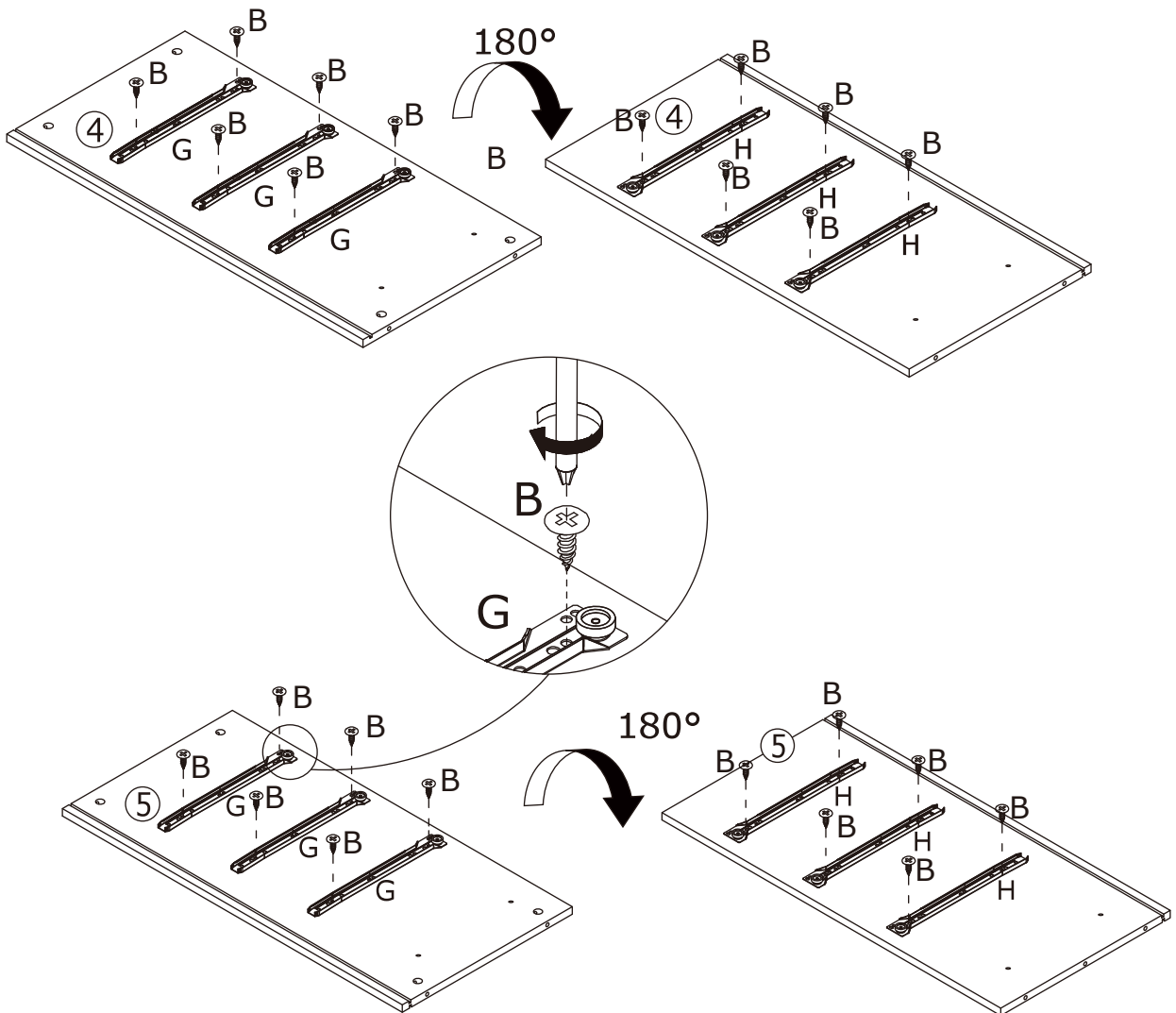
4



Fix slide rail(G) to No.4, No.5 plate with screw(U) as shown.  
Fix slide rail(H) to another side of No.4, No.5 plate with screw(U) as shown.



Please note the holes on both sides of the plate are not consistent, just for preventing the plate from being pierced by screws.

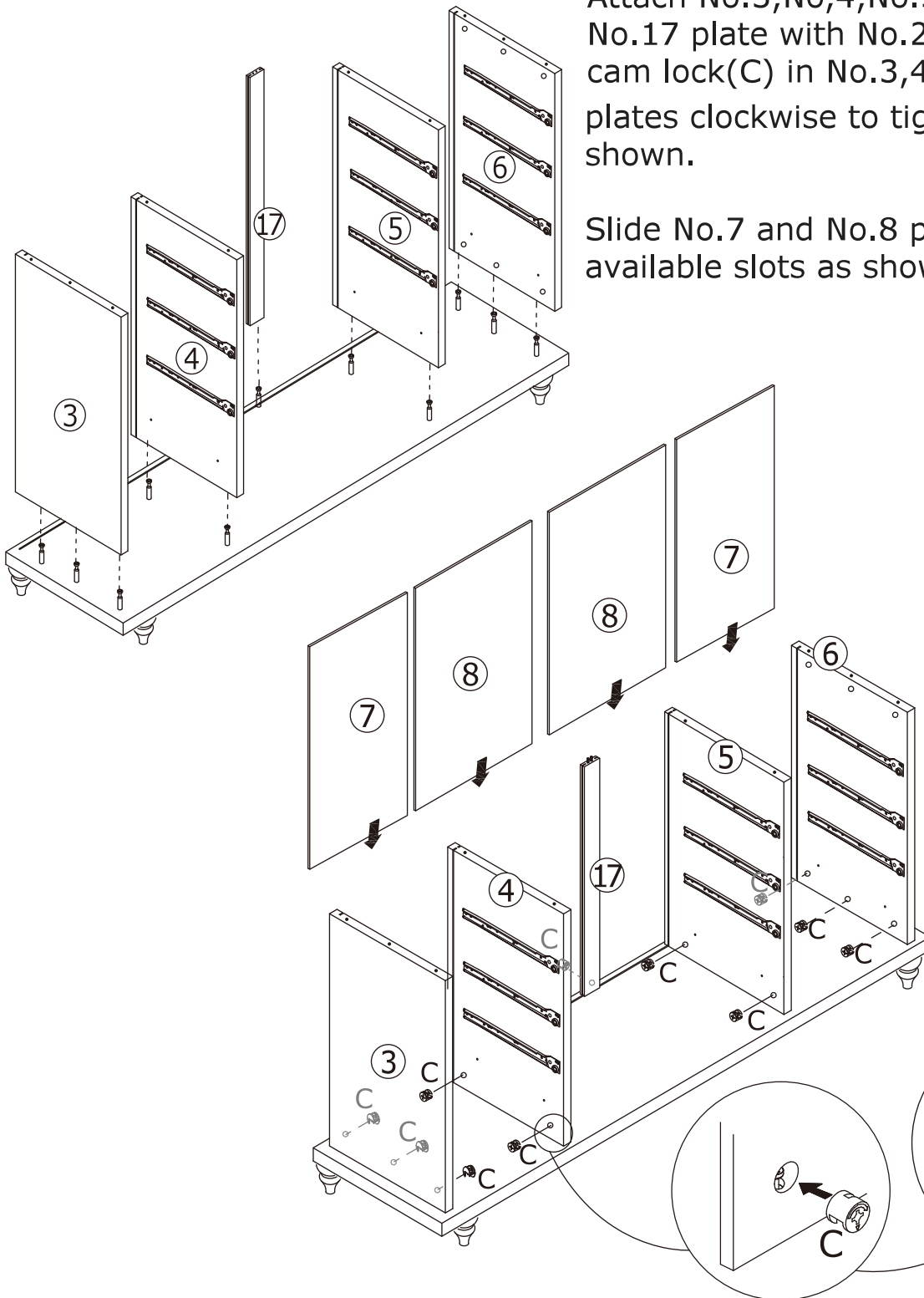
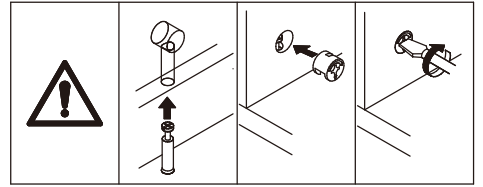
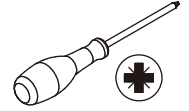


5

C x 11



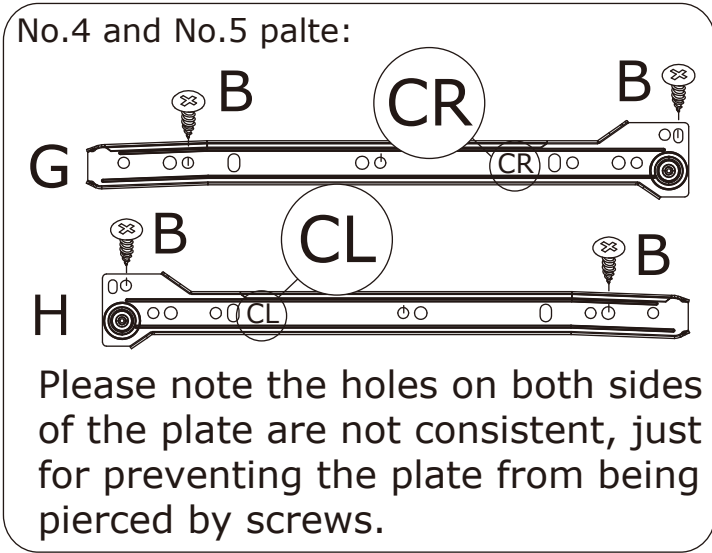
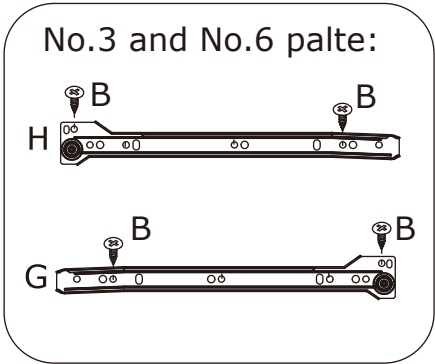
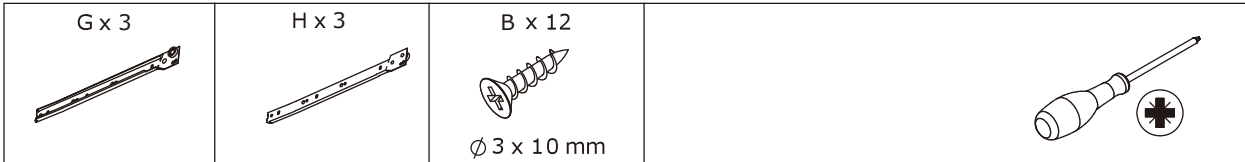
Ø15 x 12 mm



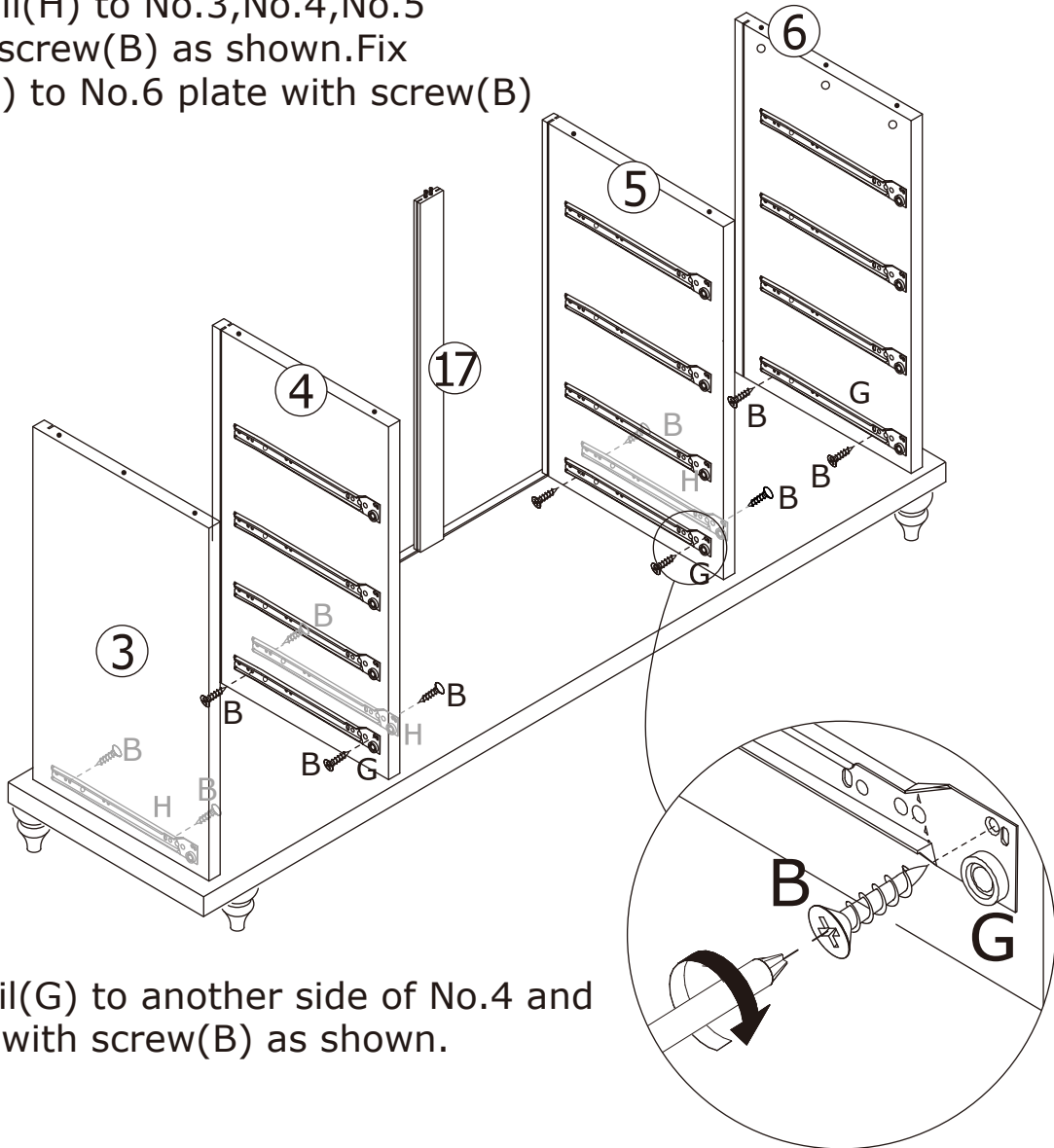
Attach No.3, No.4, No.5, No.6 and No.17 plate with No.2, then turn cam lock(C) in No.3,4,5,6,17 plates clockwise to tighten as shown.

Slide No.7 and No.8 plate into available slots as shown.

6



Fix slide rail(H) to No.3, No.4, No.5 plate with screw(B) as shown. Fix slide rail(G) to No.6 plate with screw(B) as shown.



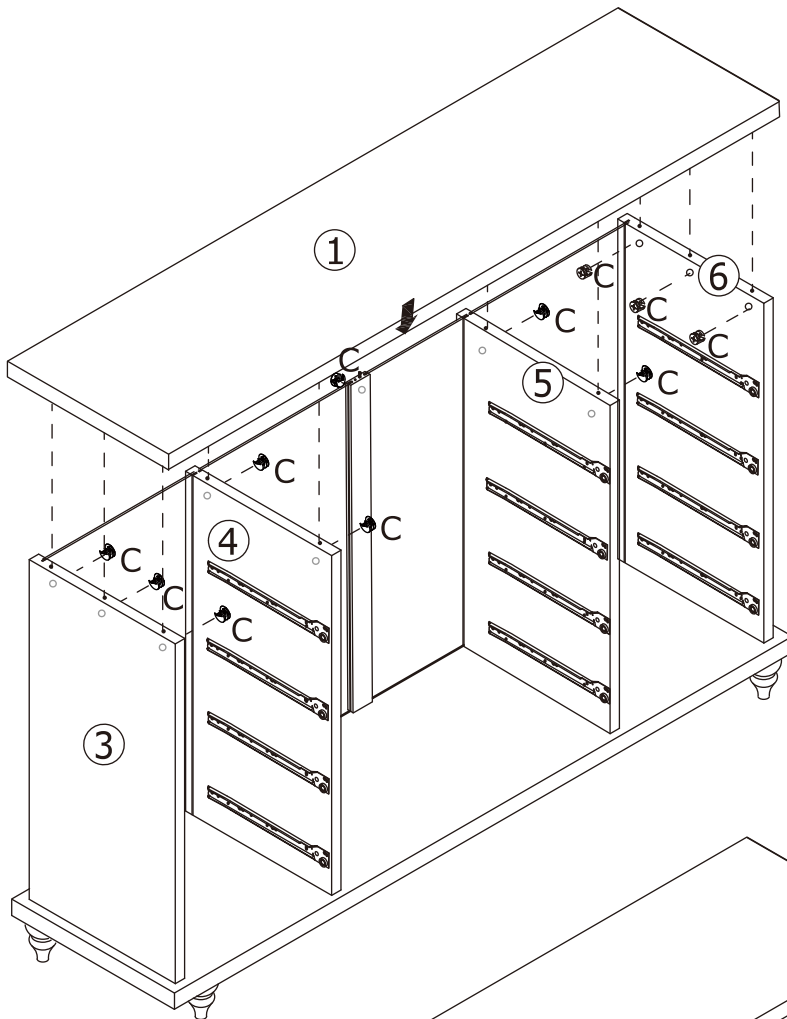
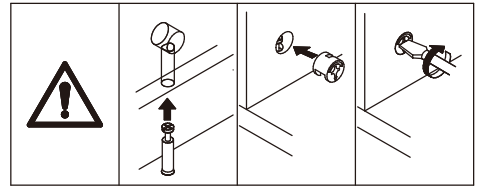
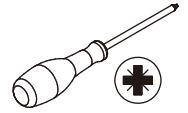
Fix slide rail(G) to another side of No.4 and No.5 plate with screw(B) as shown.

7

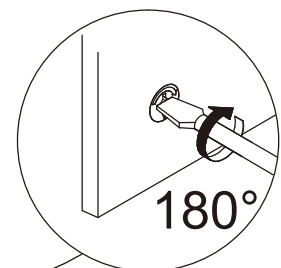
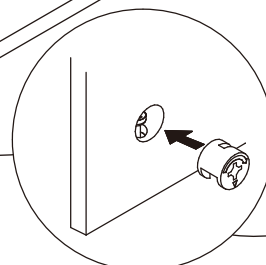
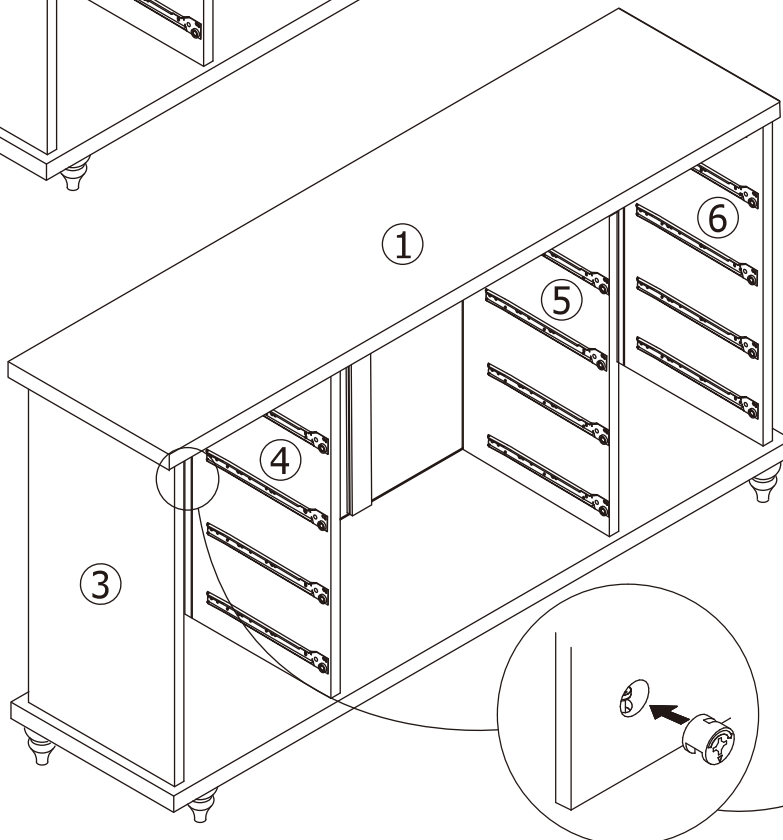
C x 11



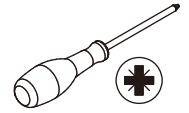
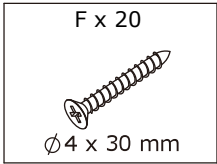
Ø15 x 12 mm



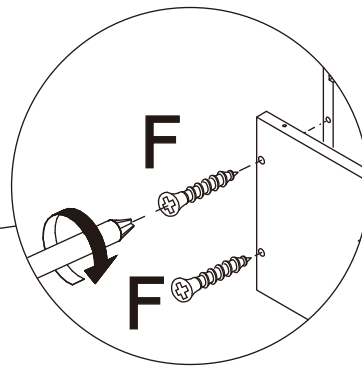
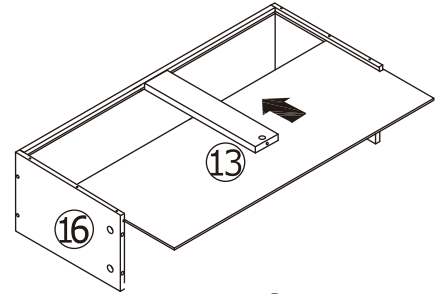
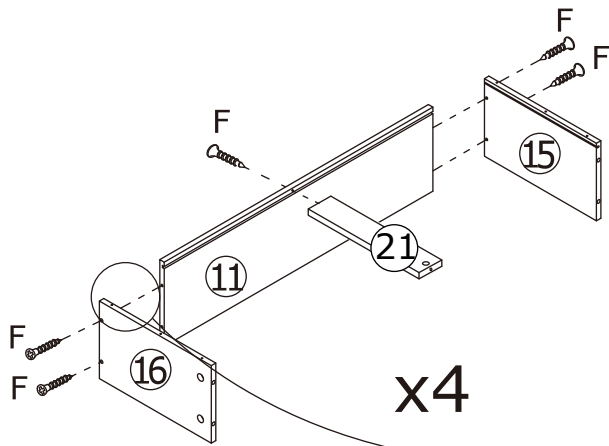
Cover No.1 plate to the top the unit, then turn cam lock(C) in No.3,4,5, 6 plates clockwise to tighten as shown.



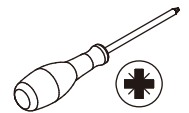
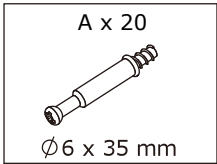
8



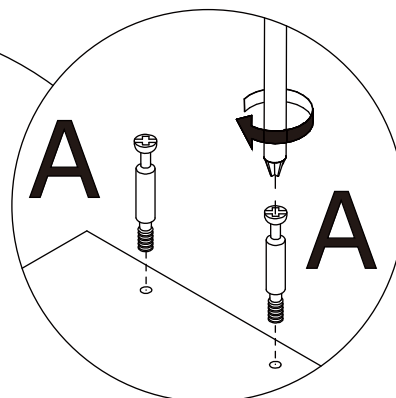
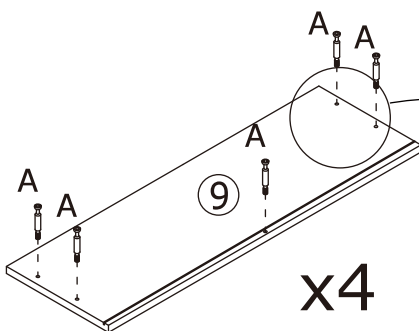
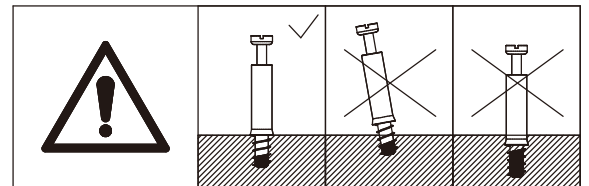
Connect No.15,16,21 plates with No.11 using screw(F) as shown.  
Slide No.13 plate into available slots as shown.



9



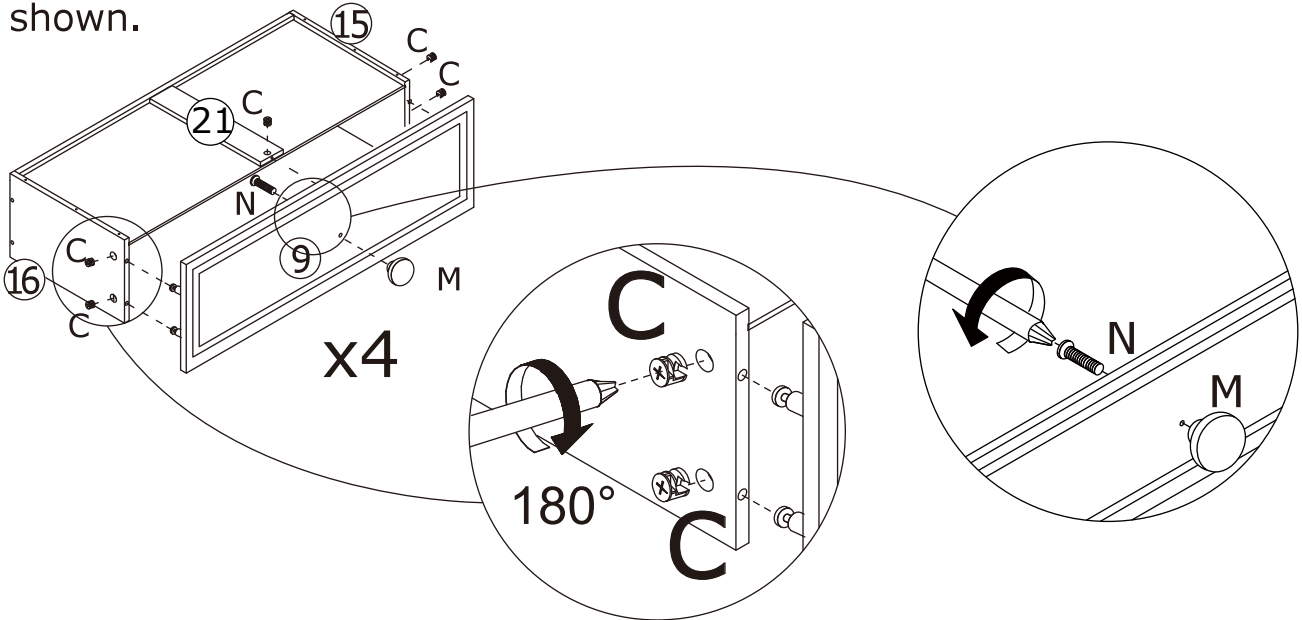
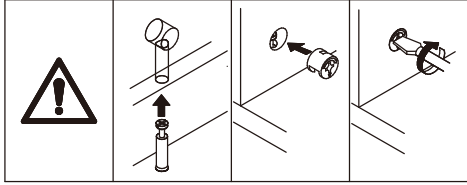
Insert quickfit screw(A) into No.9 plate with a screwdriver as shown.




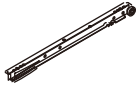

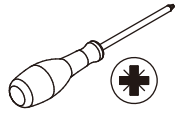
# 10

C x 20  15 x 12 mm	M x 4 	N x 4  Ø4 x 16 mm	
---	--	--	---

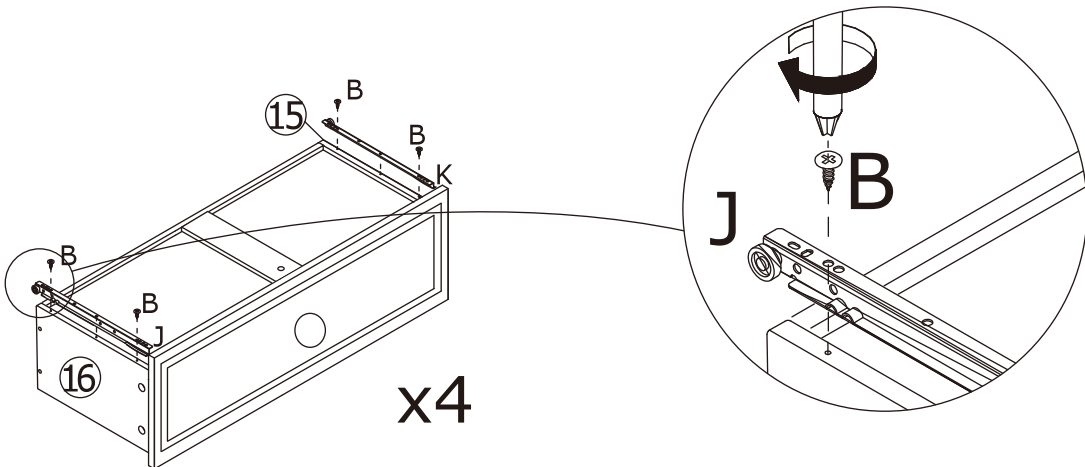
Attach No.9 plate to the component, turn cam lock(C) in No.15,16,21 plates clockwise to tighten as shown. Fix knob(M) to No.9 plate with screw(N) as shown.



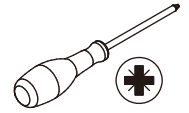
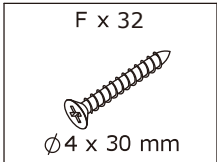
# 11

B x 16  Ø3 x 10 mm	J x 4 	K x 4 	
---	--	--	---

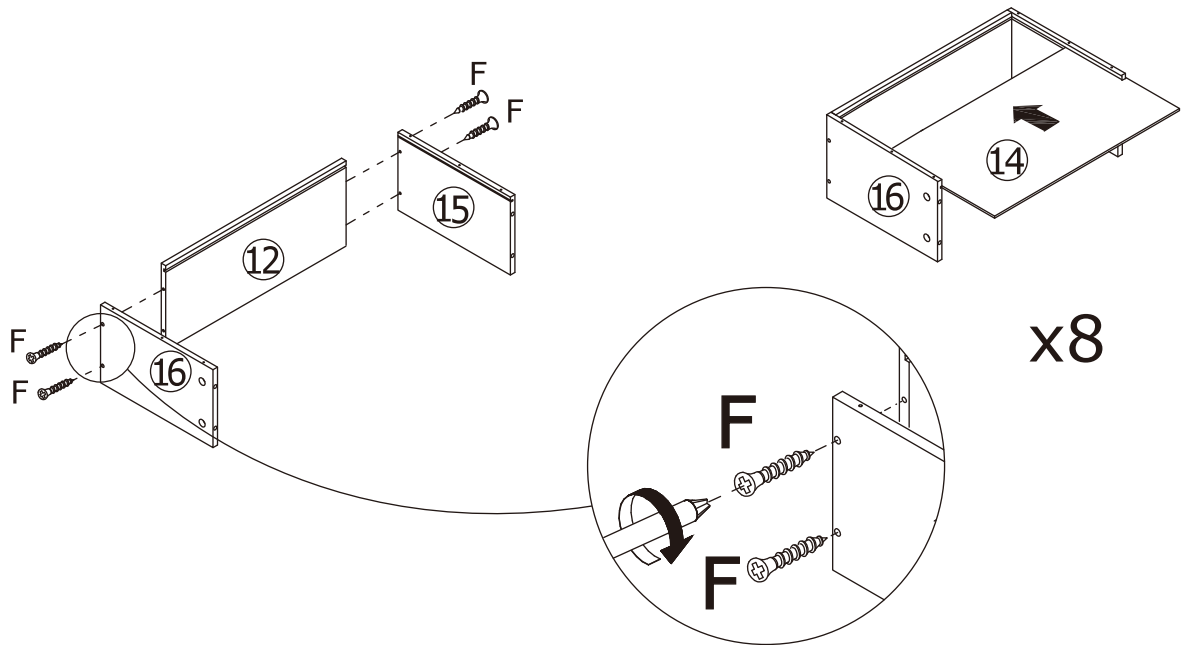
Fix runner(J) and (K) to No.15 and No.16 plate respectively with screw(B) as shown.



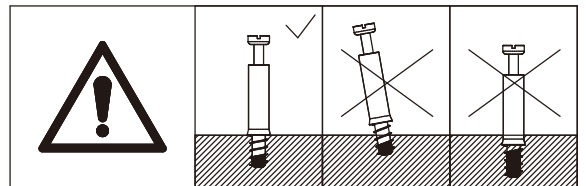
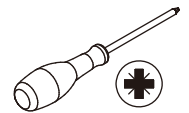
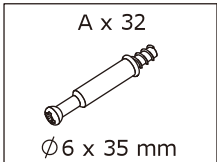
12



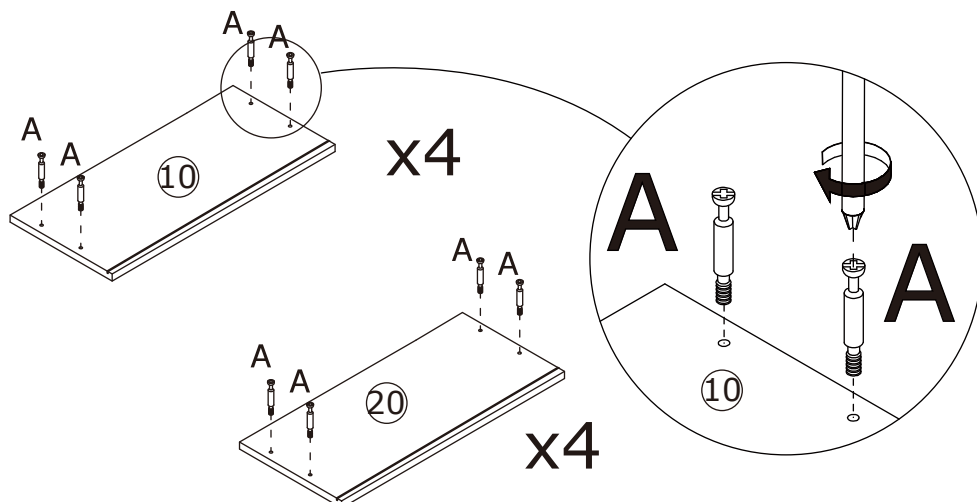
Connect No.15 and No.16 plate with No.12 using screw(F) as shown.  
Slide No.14 plate into available slots as shown.






13

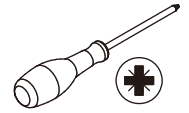


Insert quickfit screw(A) into No.10 plate and No.20 plate with a screwdriver as shown.



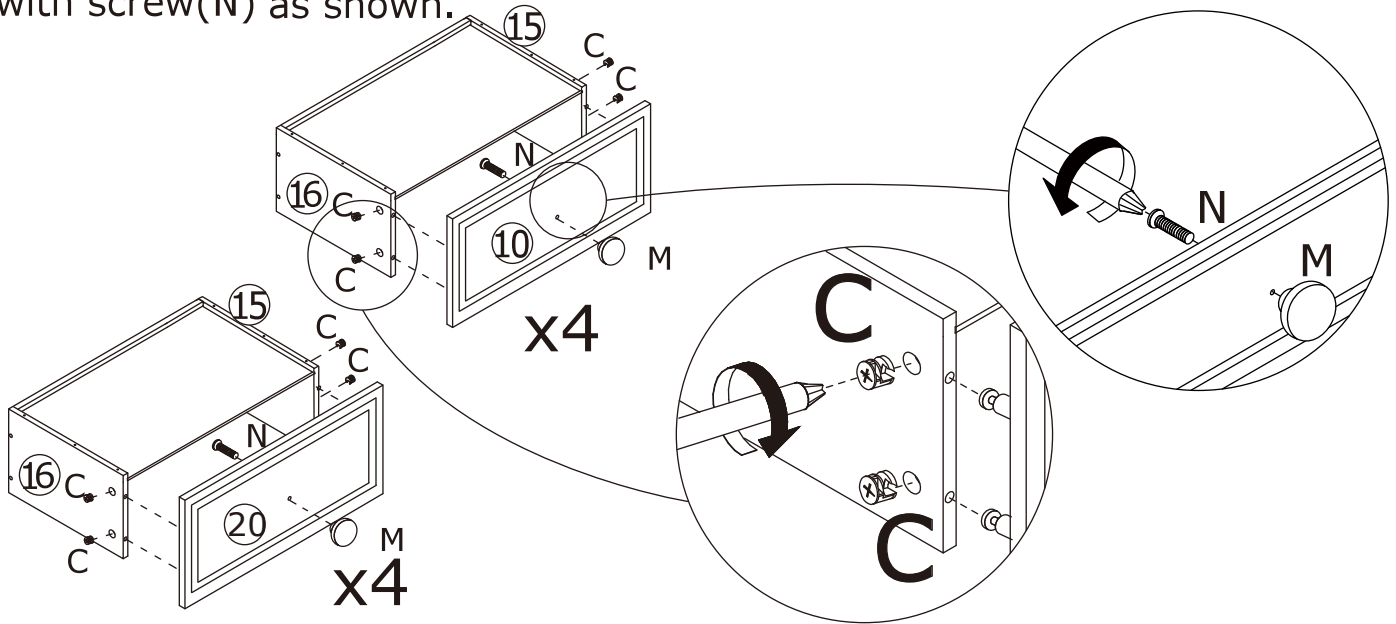
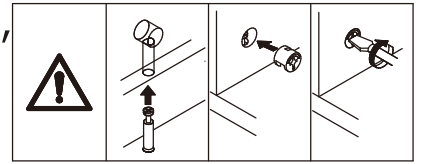
# 14

C x 32  15 x 12 mm	M x 3 	N x 3  Ø4 x 16 mm
---	--	--

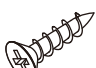




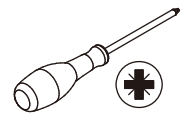
Attach No.10 plate and No.20 plate to the component, turn cam lock(C) in No.15,16 plates clockwise to tighten as shown.

Fix knob(M) to No.10 plate and No.20 plate with screw(N) as shown.

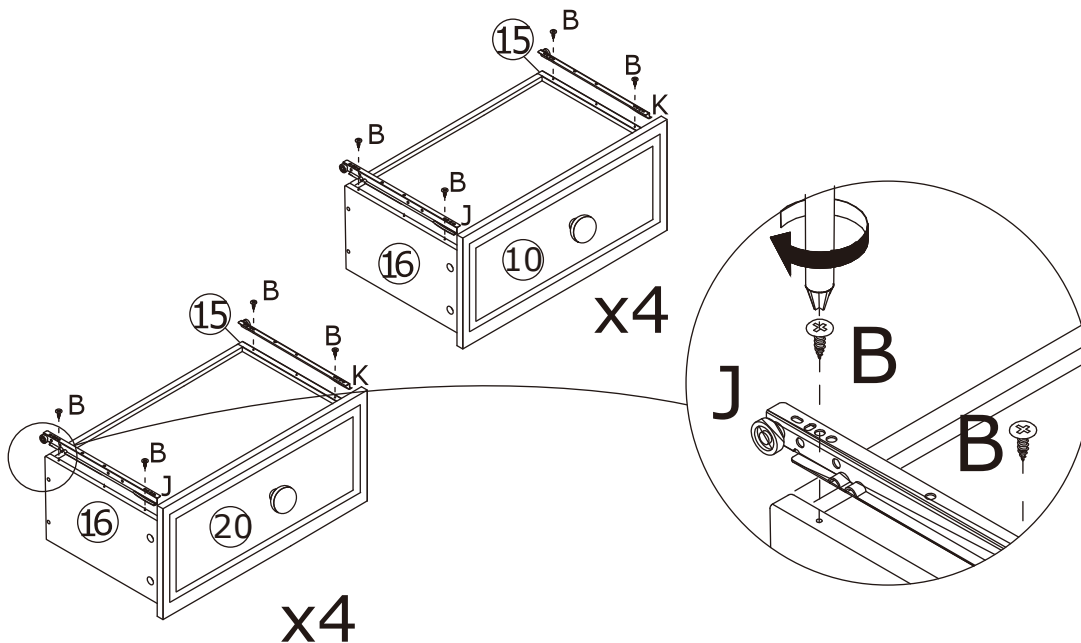


# 15

B x 32  Ø3 x 10 mm	J x 8 	K x 8 
---	--	--

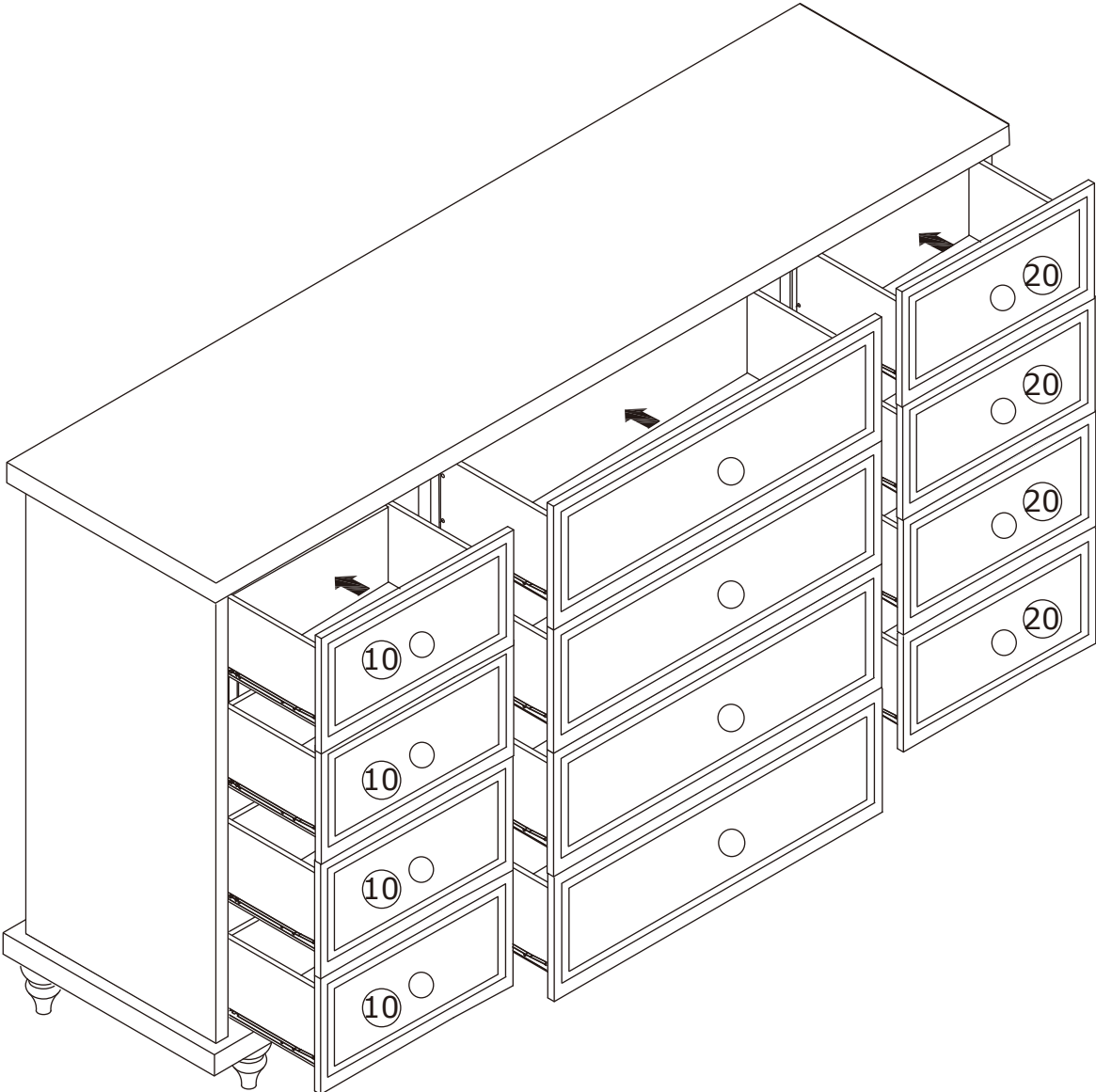


Fix runner(J) and (K) to No.15 and No.16 plate respectively with screw(B) as shown.




16

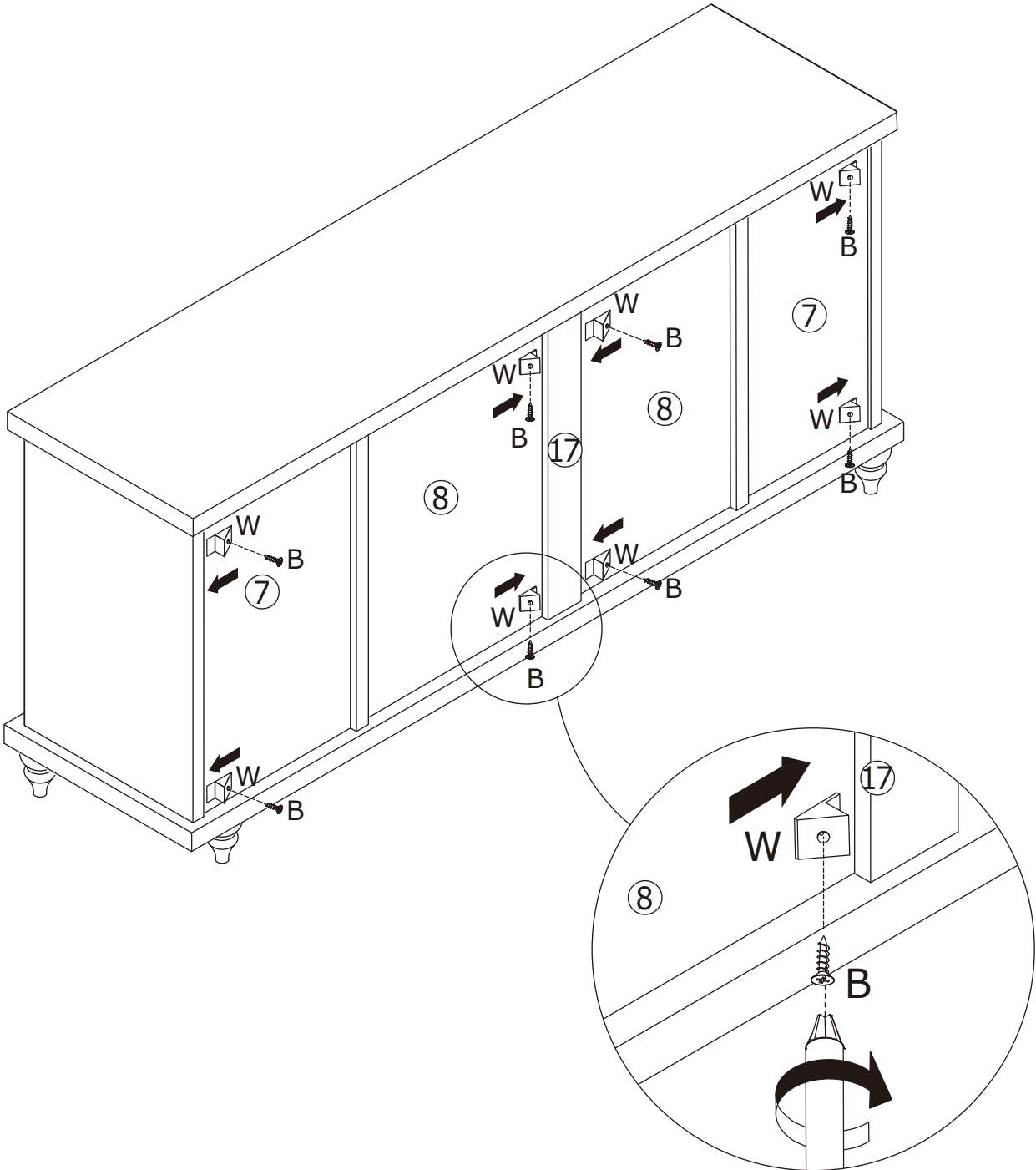
Align rails, slide all drawers.




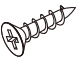
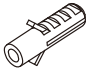

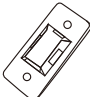

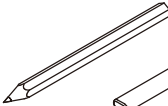
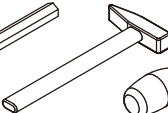

17

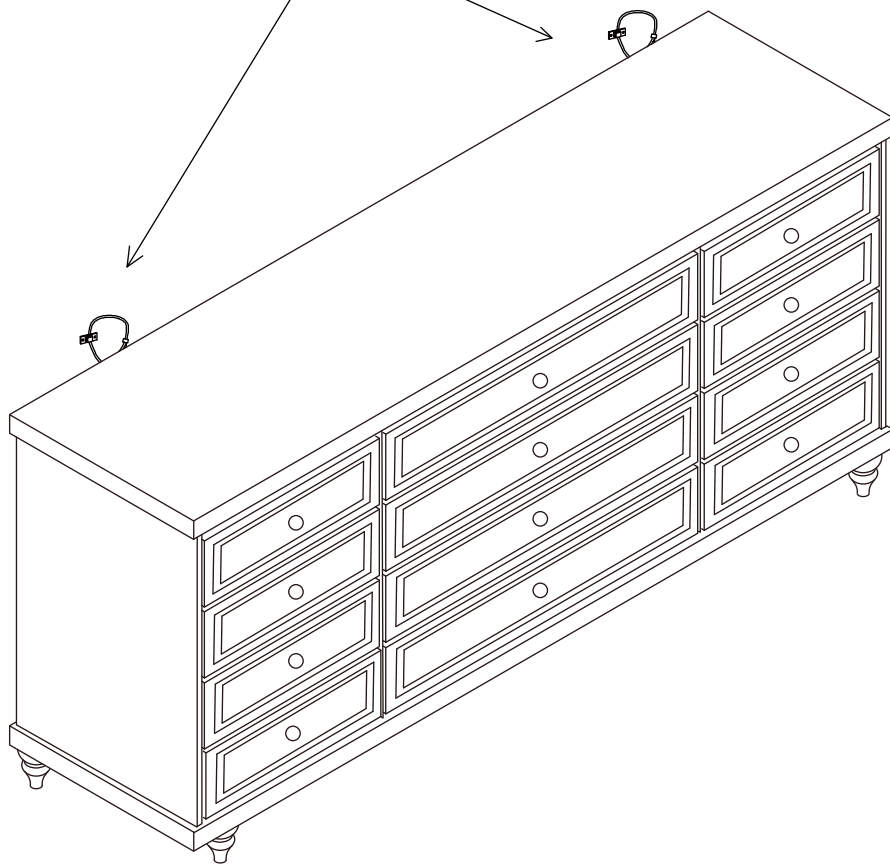
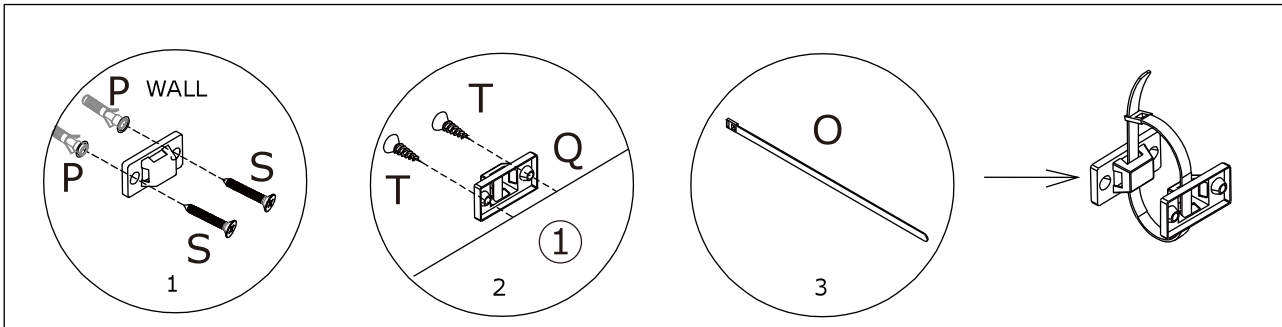
<p>B x 8</p>  <p>Ø3 x 10 mm</p>	<p>W x 8</p> 	
--	--	--

Insert buckle(W) into back slots and fix with screw(B) as shown.

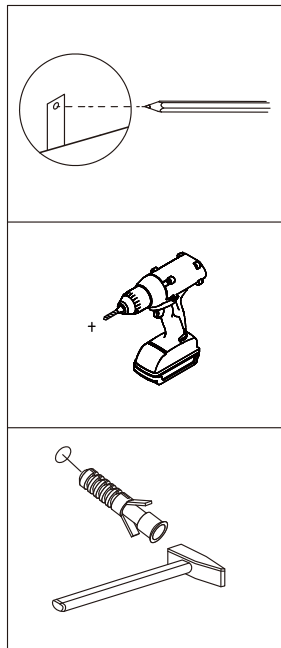


18

S x 4 	T x 4 	P x 4 	O x 2 	Q x 4 	
   					



Fix part(Q) to No.1 plate with screw(T) at first.  
Drill holes on your wall, insert part(P) and fix part(Q)  
with screw(S).Install anti-tipping device(O) as shown.



# WARRANTY

## WARRANTY CLAIMS

- There is a 30-day warranty for broken furniture or any other problems that do not work properly. The warranty will start from the date of purchase which must be verified by proof of purchase.
- Before making a claim, we may be able to answer your query, simply call us. Please leave your purchase order number, along with some details of the problem, if you want a replacement part. We will arrange within 48 hours. If there is out of stock, we will reply with a shipping date.
- The product must be used in accordance with the instructions provided. For health reasons.
- For other reasons, if the furniture needs to be returned, it must be cleaned and dried and operated within 30 days of receipt.

## Type of Warranty Claim

- Failure to follow the furniture instructions will invalidate the warranty. Attention please.
- Does not include damage during installation, but includes damage during transportation.

## Scope of responsibility

- Shall not bear any responsibility for misuse or user damage and / or loss of parts during the installation of furniture.
- After using, the damage and scratches of the furniture are not covered by the warranty.

## The Warranty Relates to All Bought in The Us and Covers The Following Areas

- Sheet parts: 1 month from the date of purchase.
- Electrical parts: 1 month from the date of purchase.