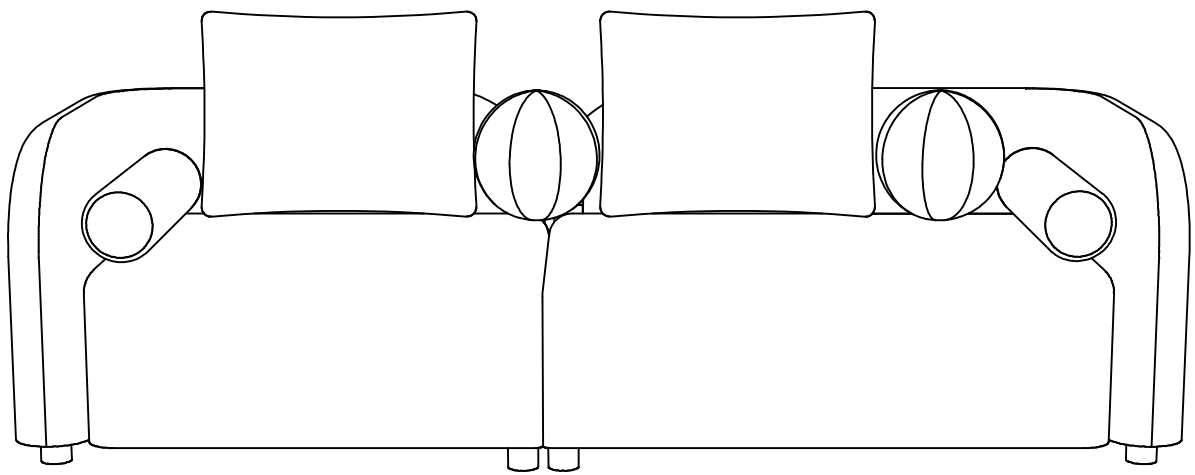
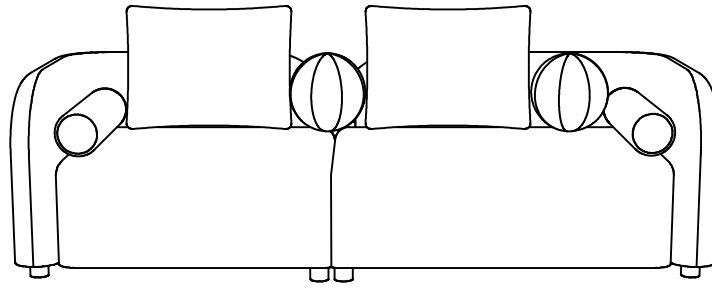
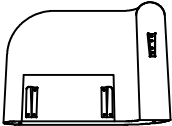

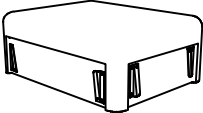

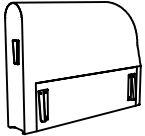
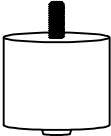


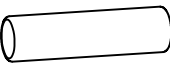
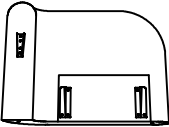
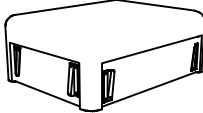
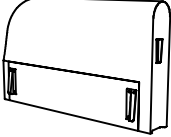

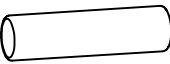



SOFA ASSEMBLY INSTRUCTIONS



ASSEMBLY INSTRUCTIONS



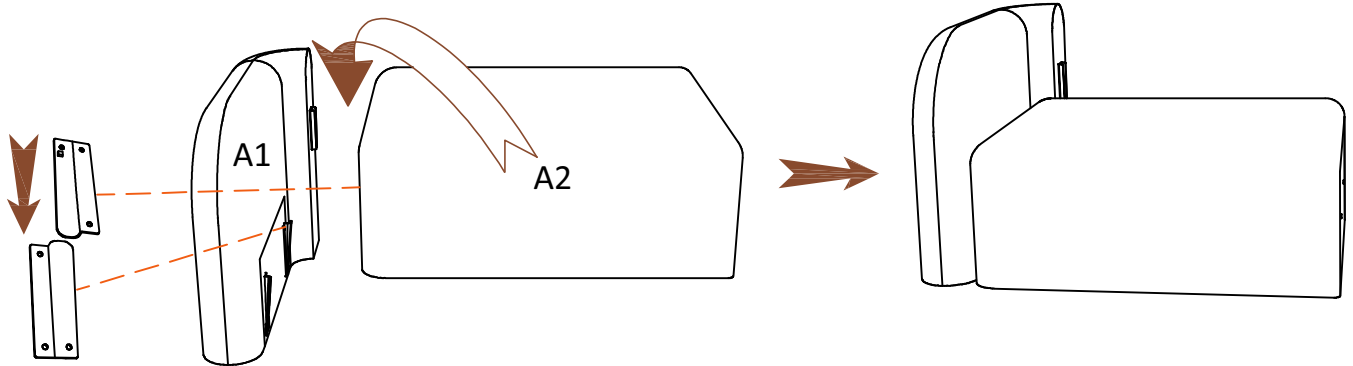
ID	PARTS IDENTIFICATION	QTY	CARTON	ID	HARDWARE PACKAGE	QTY
A1	 LEFT ARM	1 PC		①	 CONNECTOR NUT	4 PCS
A2	 LEFT SEAT	1 PC		②	 CONNECTING BOLT 5/16"	2 PCS
A3	 LEFT BACKREST	1 PC		③	 SOFA LEG	8 PCS
C	 BACK PILLOW	1 PC		④	 PLASTIC WASHER	8 PCS
D	 BOLSTER PILLOW	1 PC				
B1	 RIGHT ARM	1 PC				
B2	 RIGHT SEAT	1 PC				
B3	 RIGHT BACKREST	1 PC				
C	 BACK PILLOW	1 PC				
D	 BOLSTER PILLOW	1 PC				
E	 BALL PILLOW	2 PCS				

ASSEMBLY TIPS

1. Remove all hardware from the box and sort it by size for easy access.
2. Before starting assembly, make sure all hardware and parts are included and in good condition.
3. Follow the attached instructions in the order given to ensure a quick and easy assembly.
4. Lay a clean mat or cloth on the floor during assembly to protect the sofa from dirt or damage.

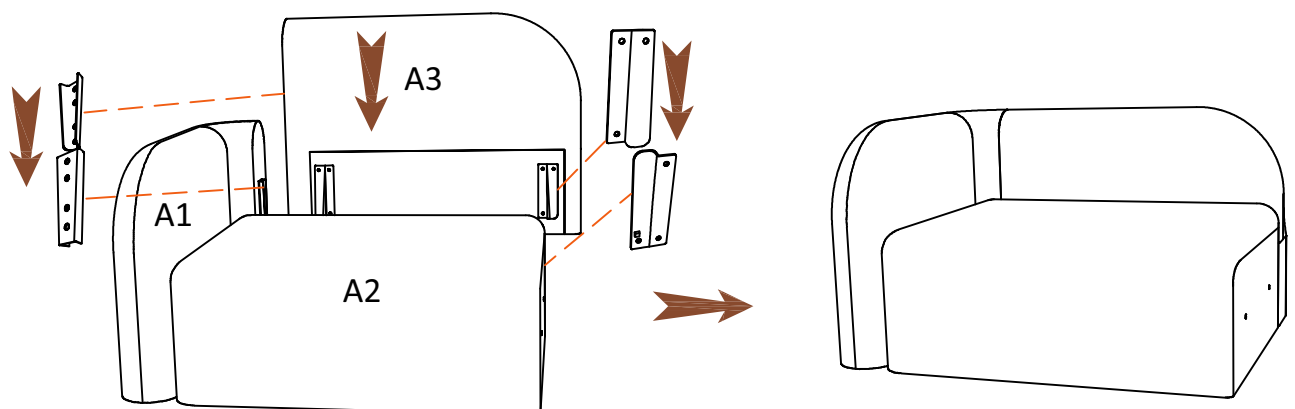
Step 1 Join Left Arm and Left Seat

Align the pre-installed connector brackets on the Left Arm (A1) and Left Seat (A2), then carefully slide the two pieces together until they click into place.



Step 2 Install Left Backrest

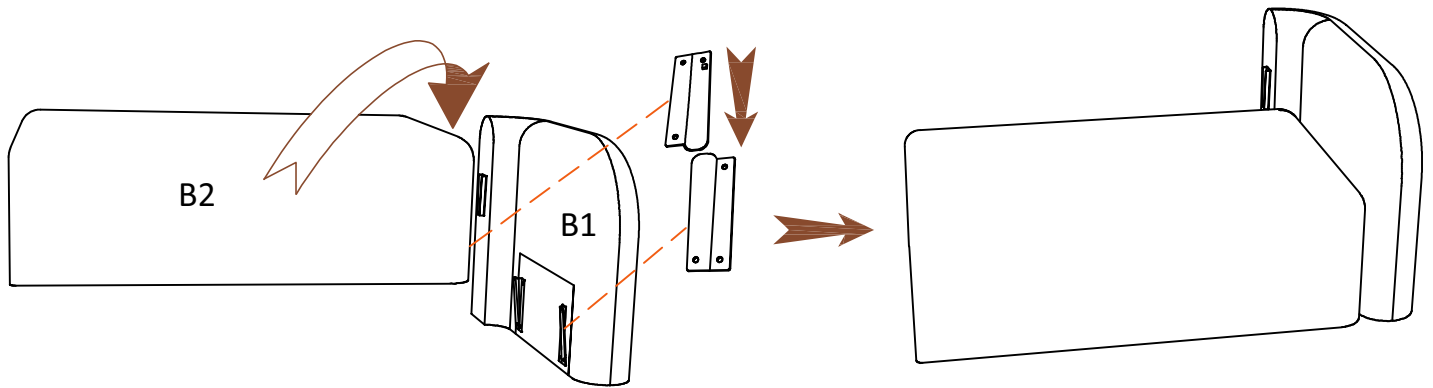
Align the three brackets on the Left Backrest (A3) with the assembled Left Arm (A1) and Left Seat (A2), and slide them **together** until all three brackets are securely engaged.



Step 3

Join Right Arm and Right Seat

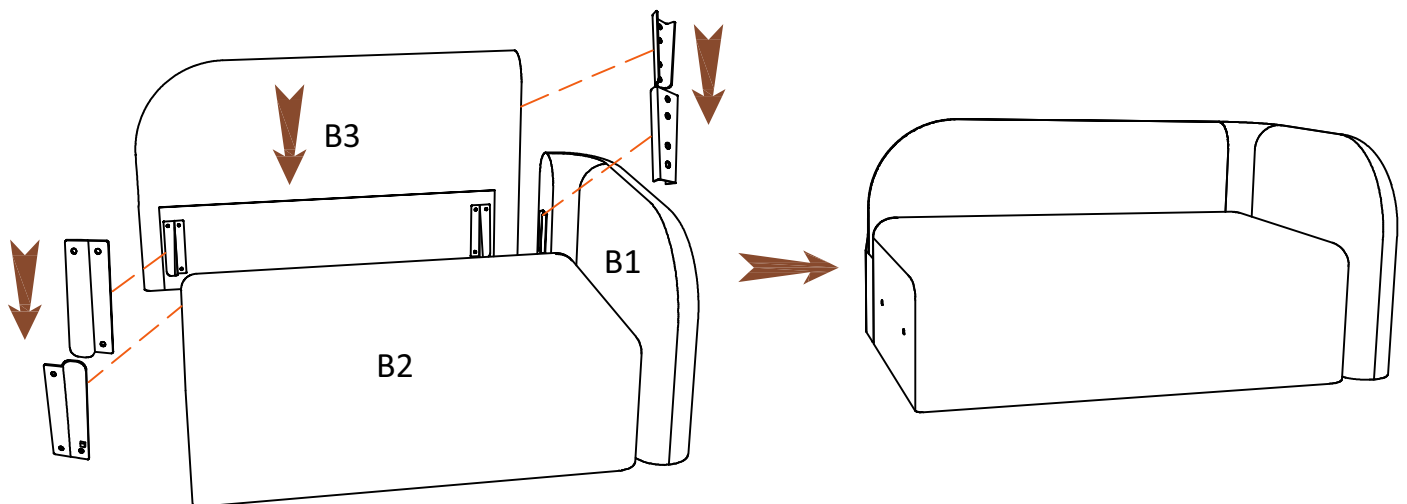
Repeat the same process to connect the two brackets on the Right Arm (B1) and Right Seat (B2).



Step 4

Install Right Backrest

Align the three brackets on the Left Backrest (B3) with the assembled left Arm (B1) and Left Seat (B2), and slide them **together** until all three brackets are securely engaged.



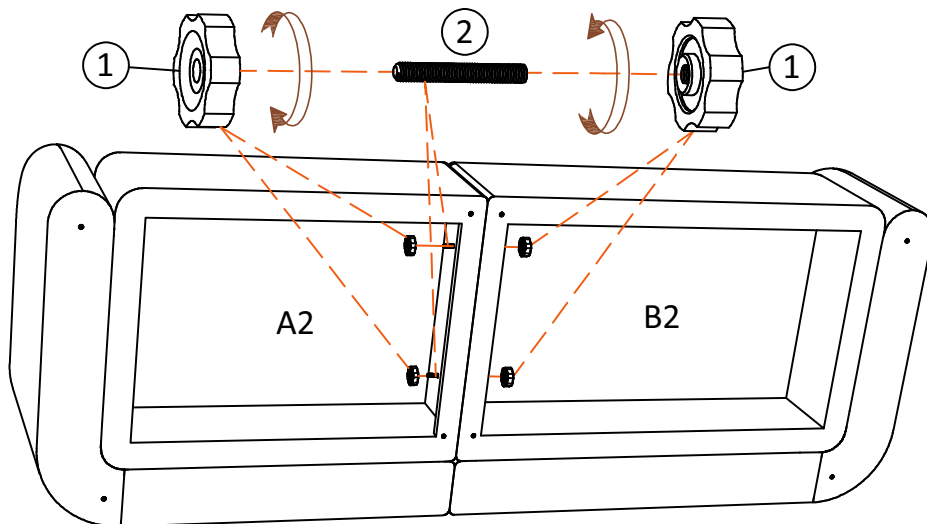
Step 5

Secure the Left and Right Sections Together

Pre-install two Connector Nuts (1) onto two Connecting Bolts (2) at **one end**.

Align the left and right sections and insert the bolts through the center holes.

Fasten with the remaining two connector nuts (1) on the opposite side, then tighten all four nuts firmly on both ends.

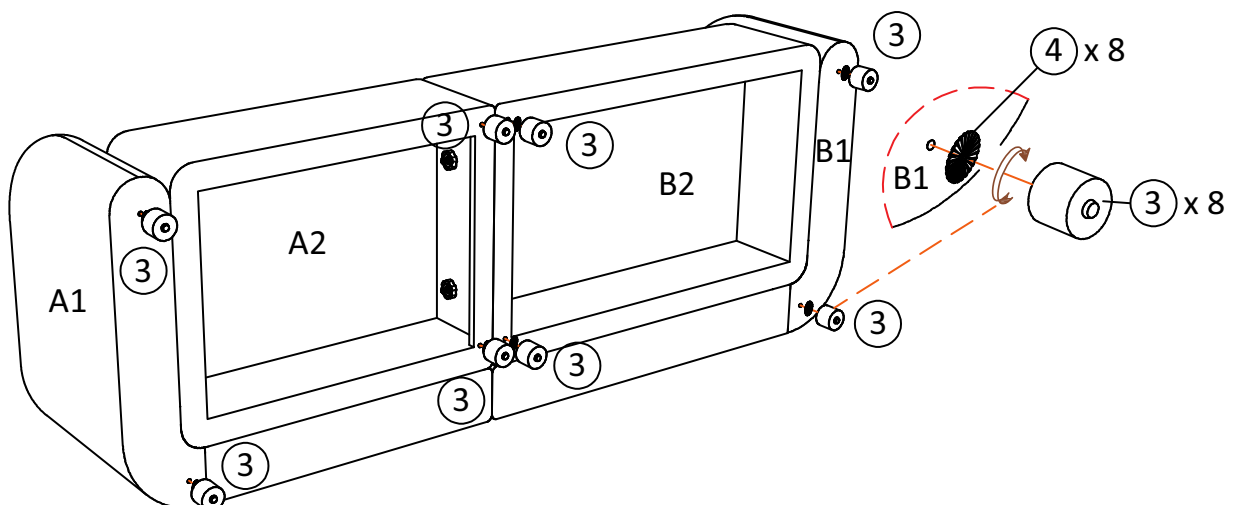


Step 6

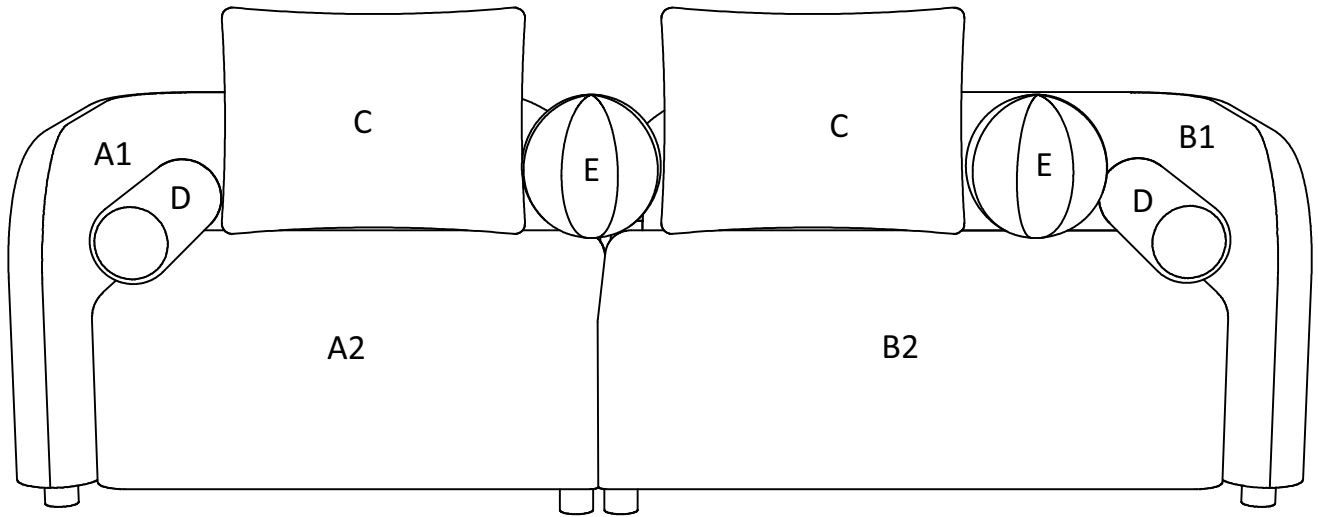
Install Sofa Legs

Place a Plastic Washer onto the screw of each Sofa Leg first.

Then screw the eight sofa legs into the threaded holes on the bottom of the armrests and seat frames.



Step 7



Complete.



WARNING!

1. Do not attempt to repair or modify any broken or defective parts. Please contact customer service immediately for assistance.
2. This product is designed for residential use only and is not intended for commercial or public environments.

ASSEMBLY TIME: 25 MINUTES

