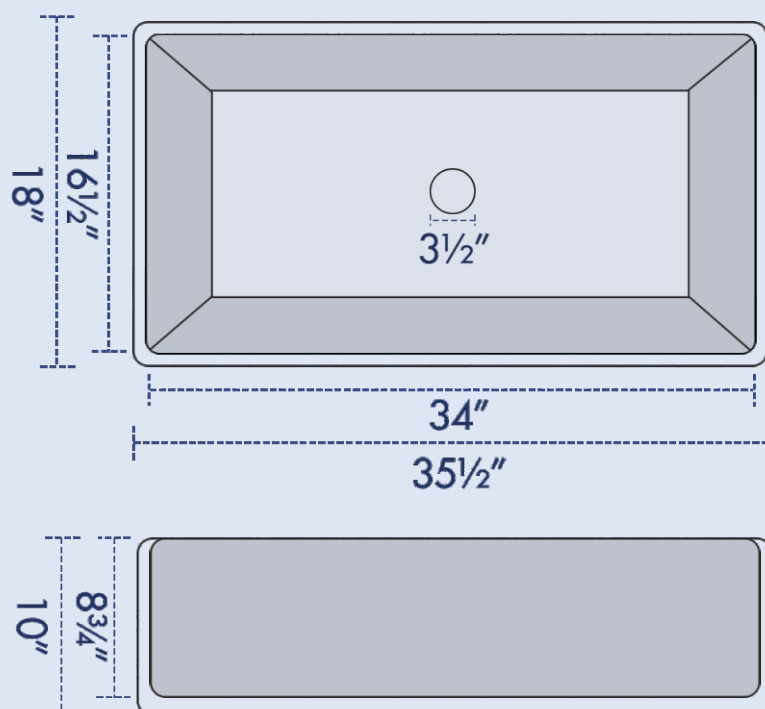




SPECIFICATIONS

- Dimensions: 35½"L x 18"W x 10"H
- Inner dim: 34"W x 16½"D x 8¾"H
- Net weight: 90.4 lbs



FEATURES

- Fine fireclay construction
- Farmhouse apron configuration
- Spacious basin with extensive capacity
- Easy-to-clean, rounded corners
- Timeless and elegant appeal
- Basket strainer and bottom grid included

INSTALLATION

- Farmhouse, apron-front

PARTS INCLUDED

- Sink: ERI-FS-107N
- Basket Strainer: ERI-KD02
- Bottom Grid

COLORS & FINISHES



White