



# Shower Head

## STANDARD SPECIFICATIONS

- Single function shower head
- 1.8gpm flow rate
- 8" round shower head
- 14" long arm

## FINISHES INCLUDE

- Chrome (UF91000)
- Brushed nickel (UF91003)

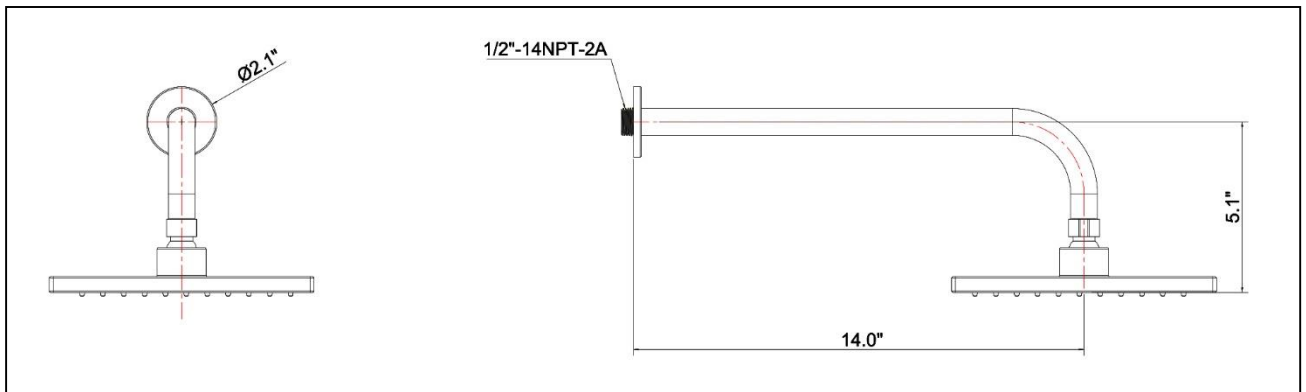
## WARRANTY

- Limited lifetime warranty on workmanship and materials to the original purchaser



## COMPLIES WITH

- ANSI/ASME A112.18.1
- CSA B125-1
- IAPMO/UPC/CUPC



tel. 888-OK-ULTRA (658-5872) • fax. 949-225-6099 • <http://www.ultrafaucets.com>

*This specification is provided for reference only. Ultra Faucets reserves the right to modify specifications and materials without notice or obligation.*