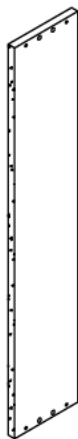


Ax2



Bx2



Cx8



Dx8



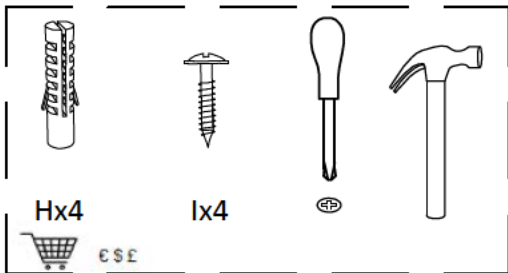
Ex8



Fx4



Gx8



Hx4

Ix4

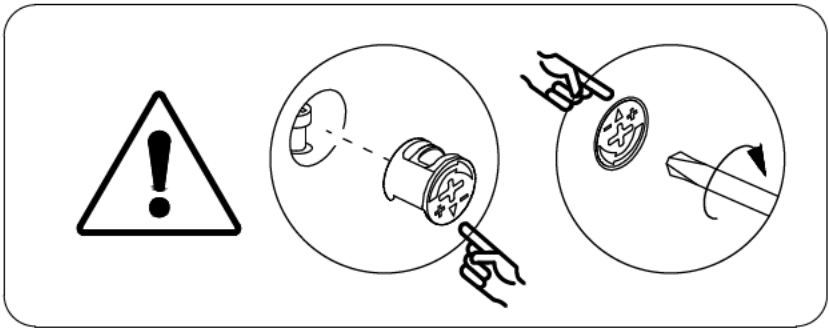
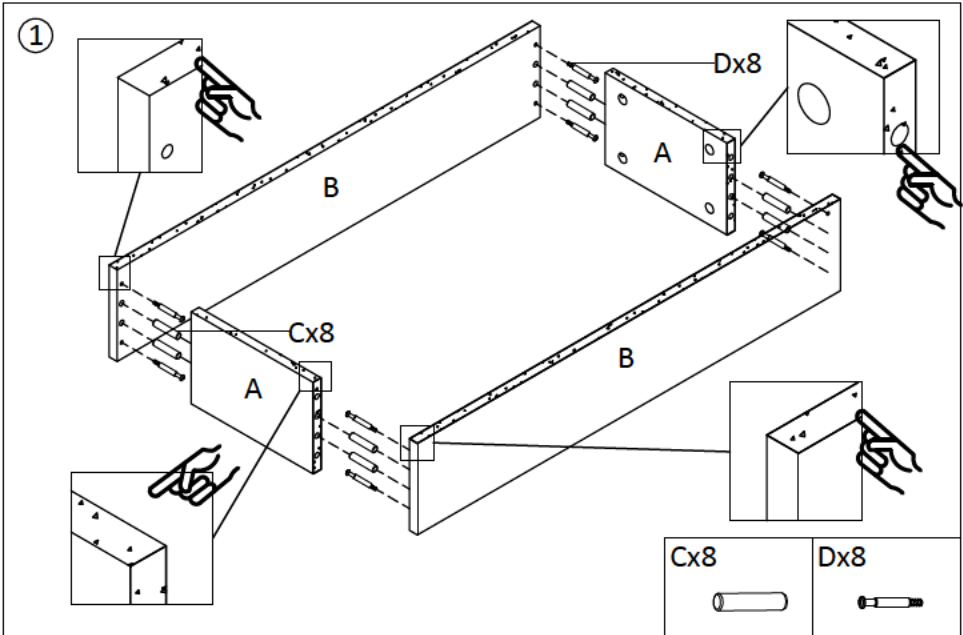


€€€

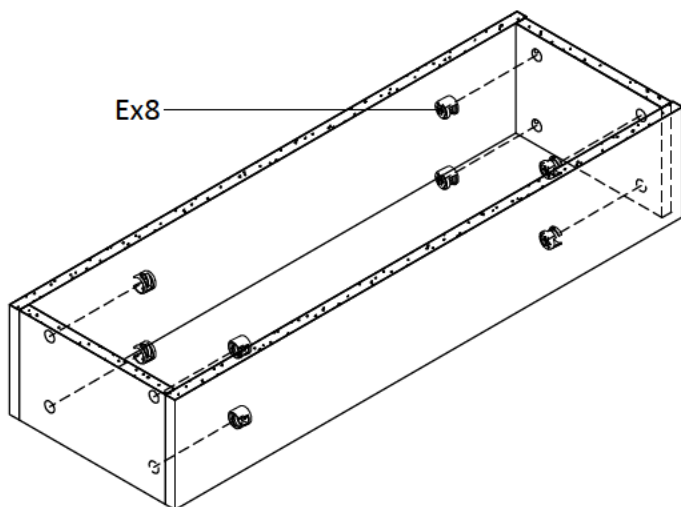


mm
inch

x1



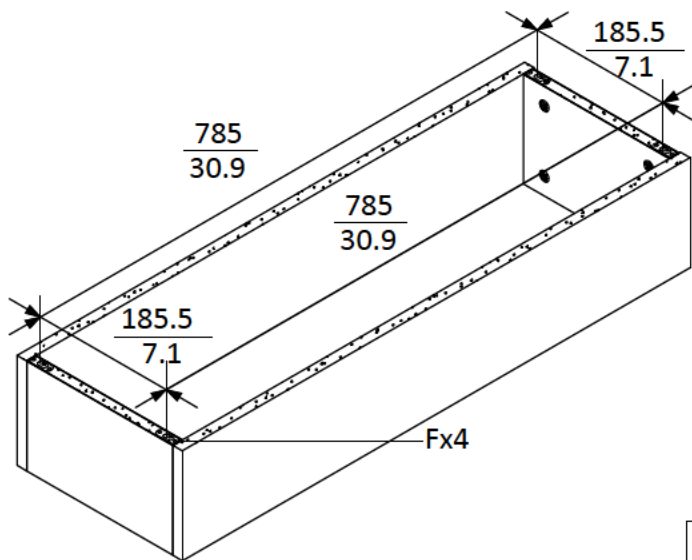
②



Ex8



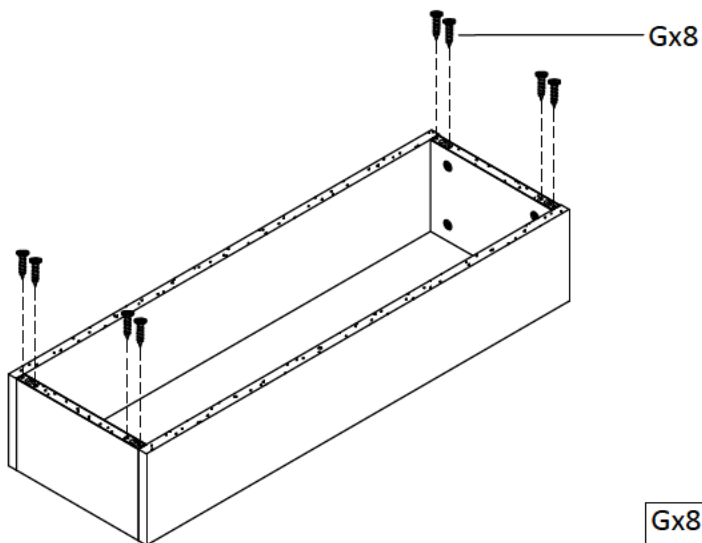
③



Fx4



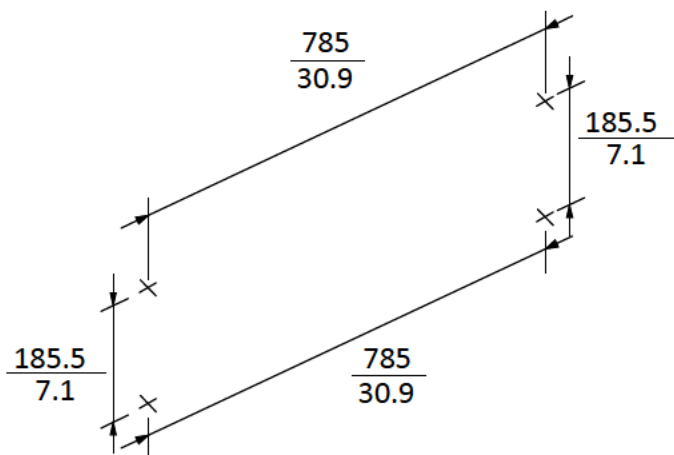
④



Gx8



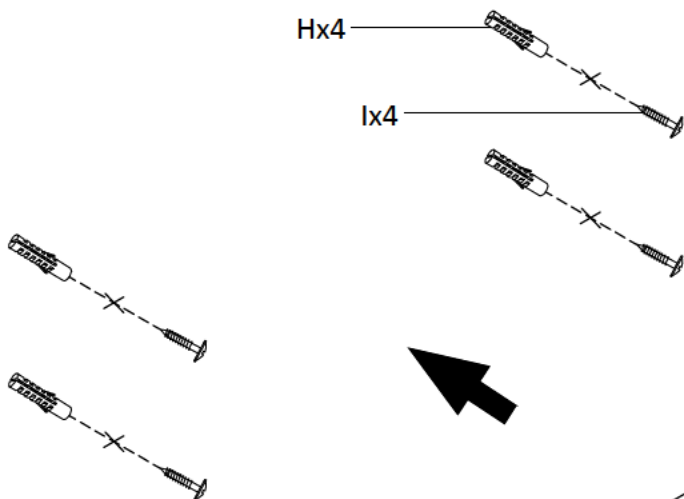
⑤



6

Hx4

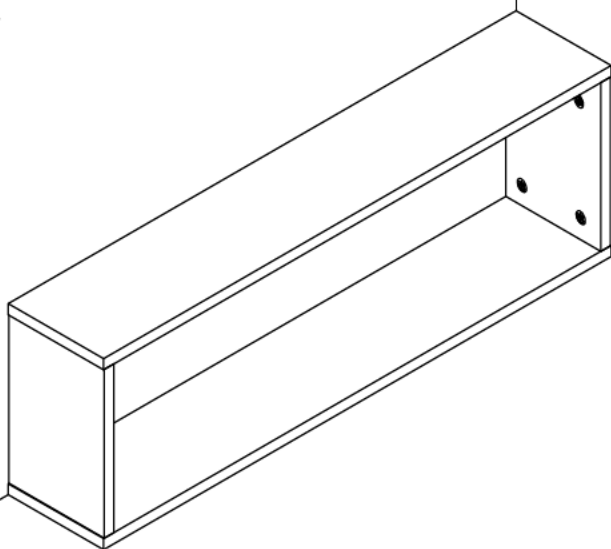
Ix4



Ix4



Hx4



7

