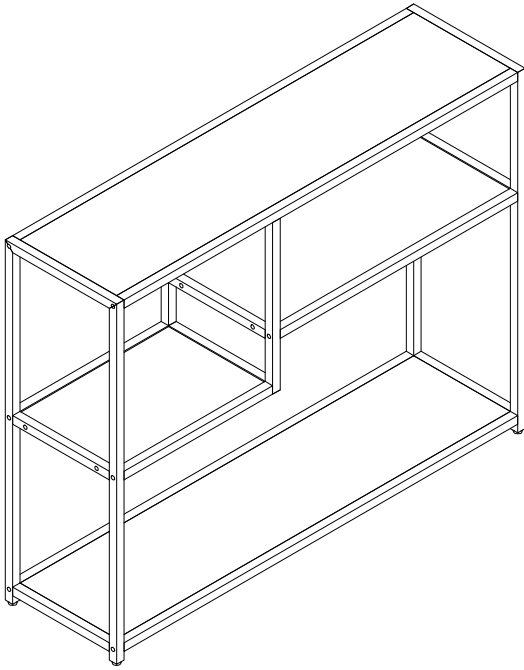
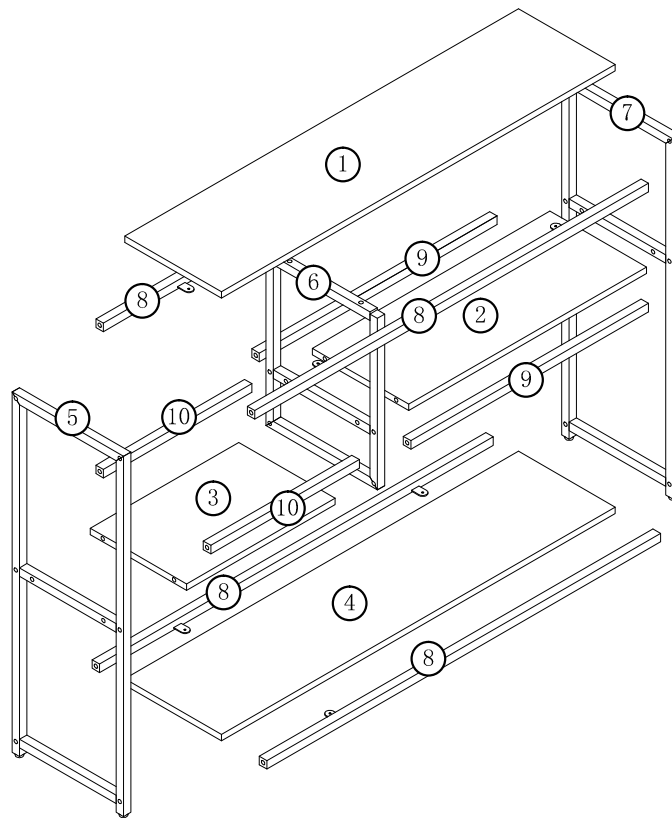


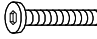

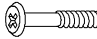




INSTALLATION INSTRUCTION



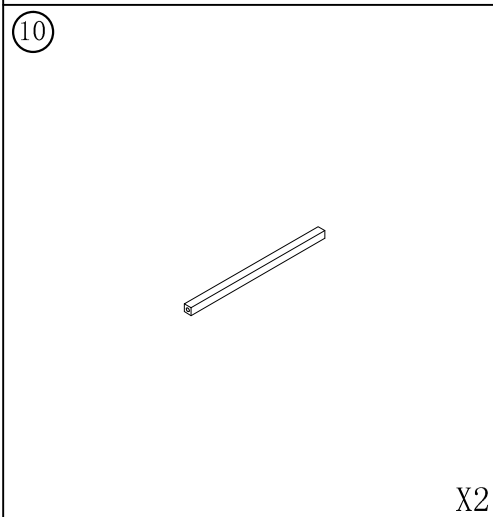
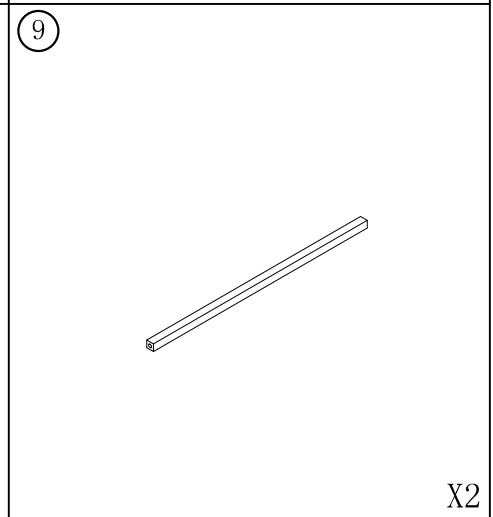
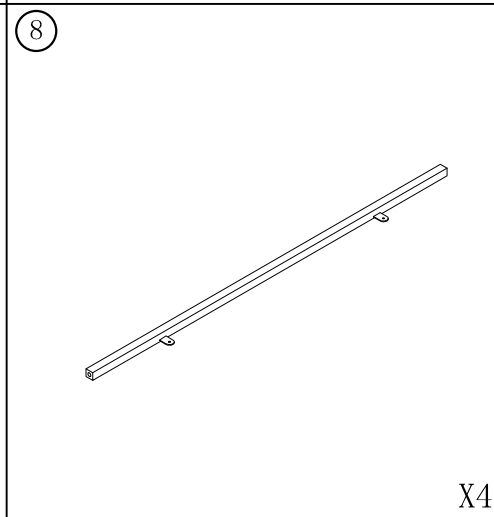
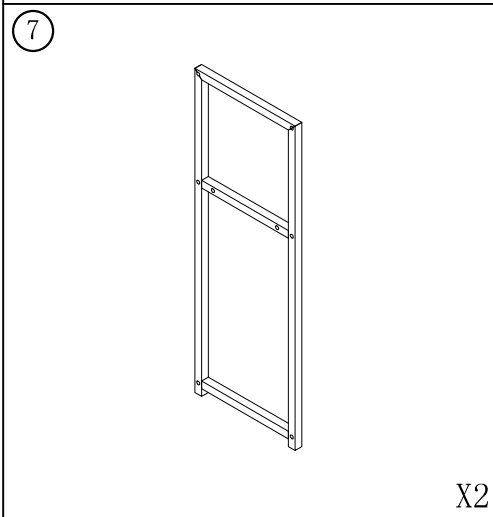
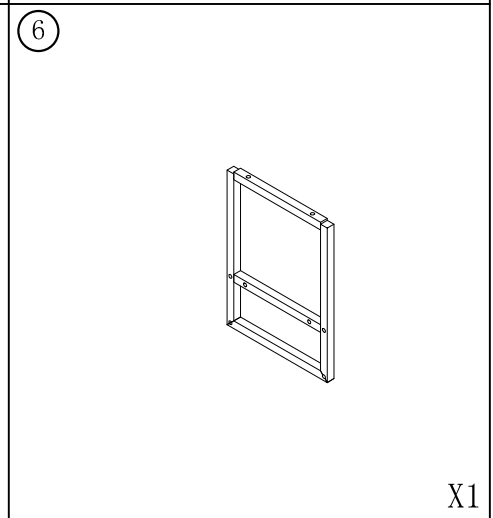
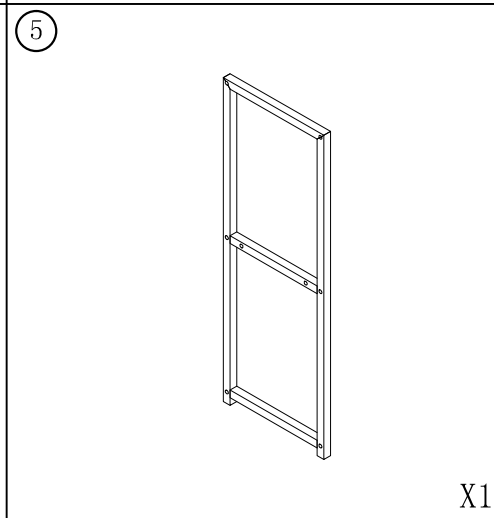
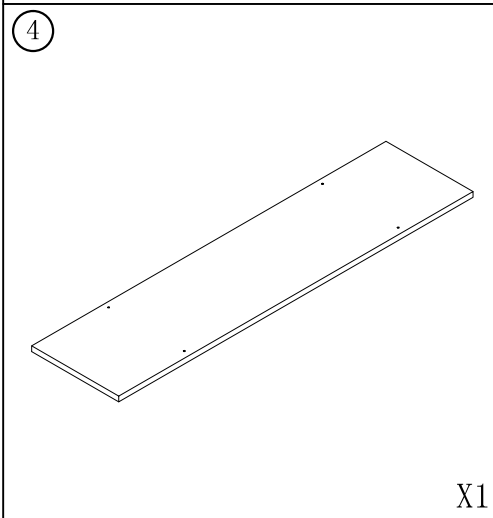
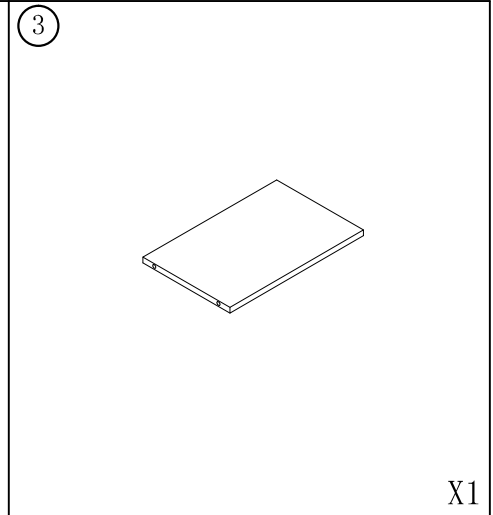
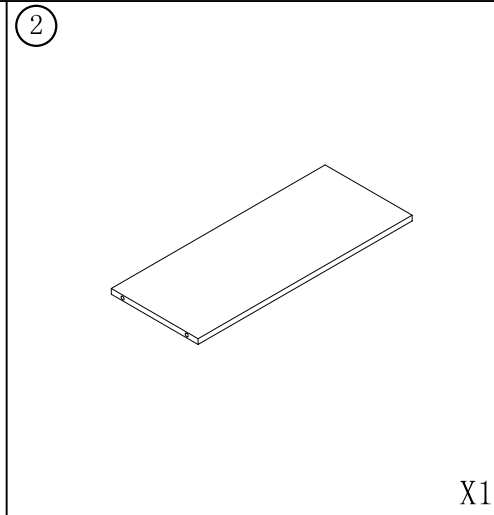
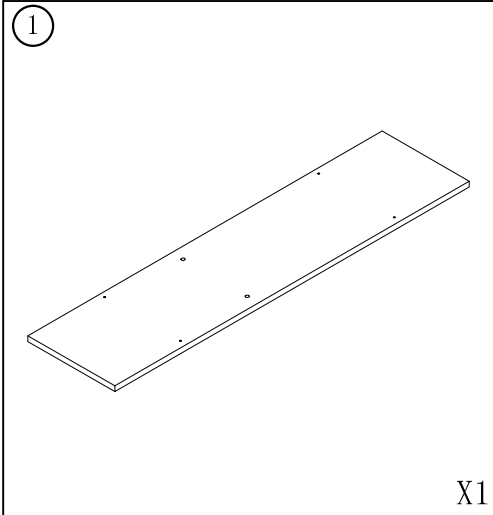
Notes: Don't tighten screws completely at first , just in case parts were assembled wrong and need disassembled. Tighten screws at last when all parts are put together.



No.	PICTURE	SIZE	QTY	No.	PICTURE	SIZE	QTY
A		M6*30	2	D		ST3. 5*14	8
B		M6*40	16	E			4
C		ST5*50	8		 		1

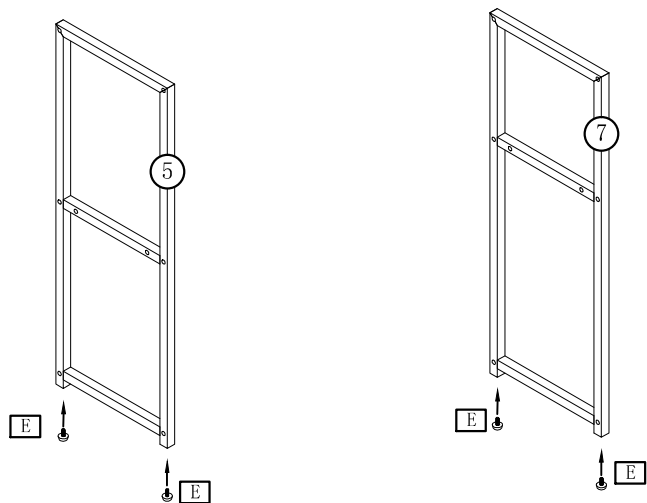
ASSEMBLY

INSTRUCTION



INSTALLATION INSTRUCTION

STEP 1

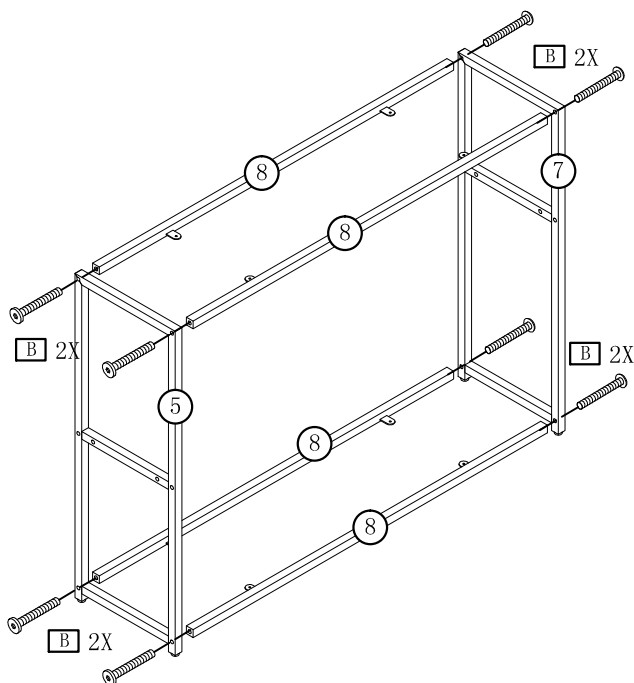


E



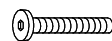
X4

STEP 2



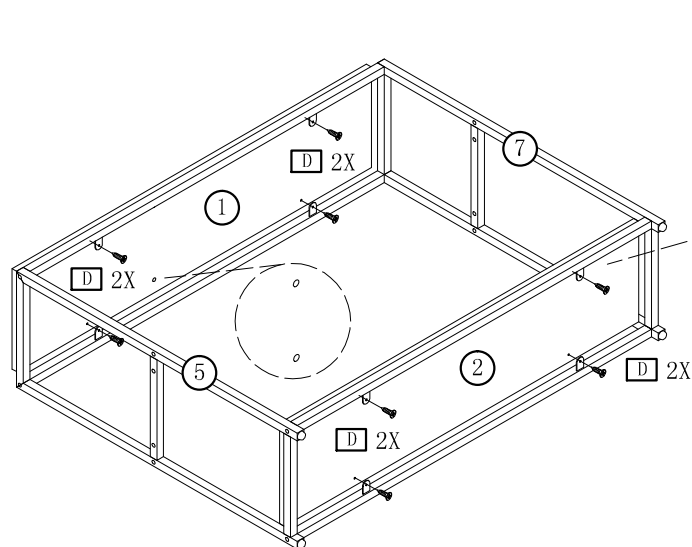
B

M6*40



X8

STEP 3



D

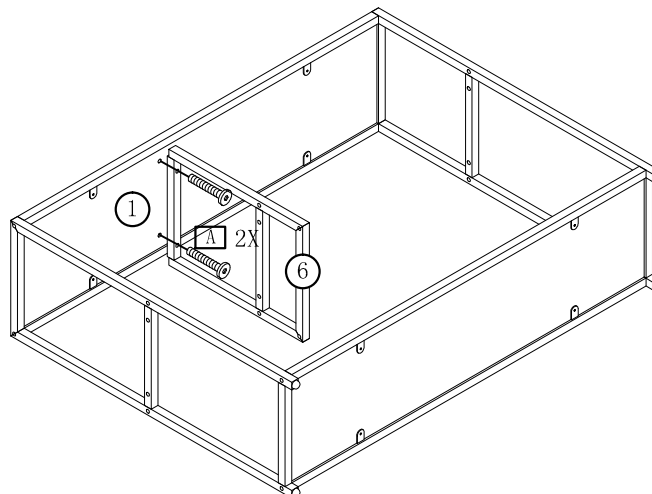
ST3.5*14

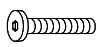


X8

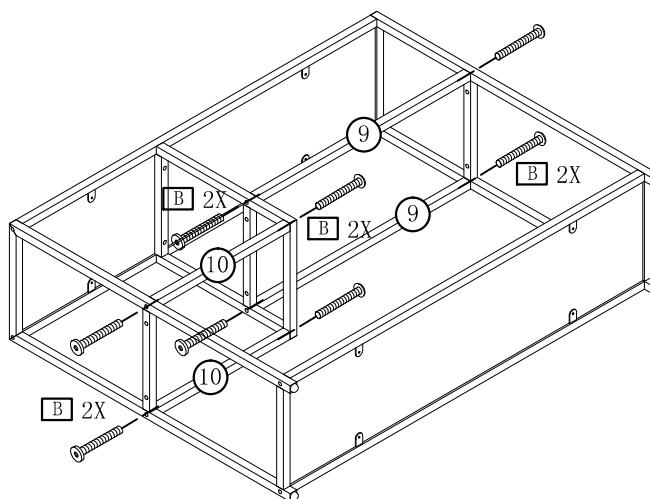
INSTALLATION INSTRUCTION


STEP 4



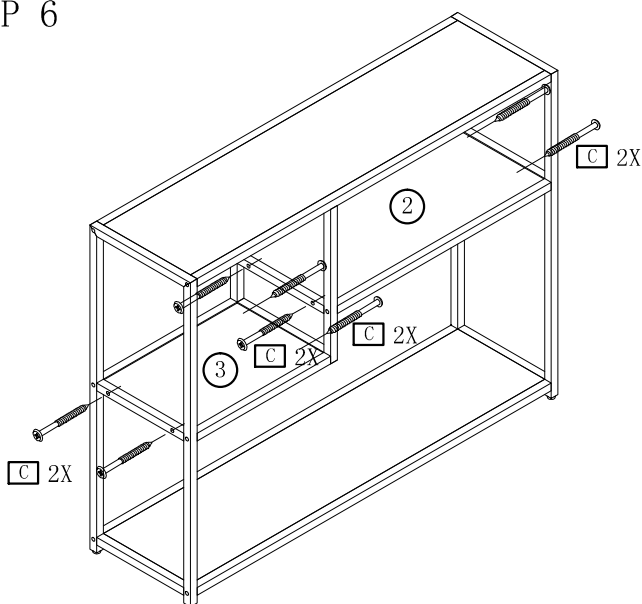
A M6*30

X2

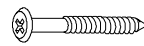
STEP 5



B M6*40

X8

STEP 6



C ST5*50

X4