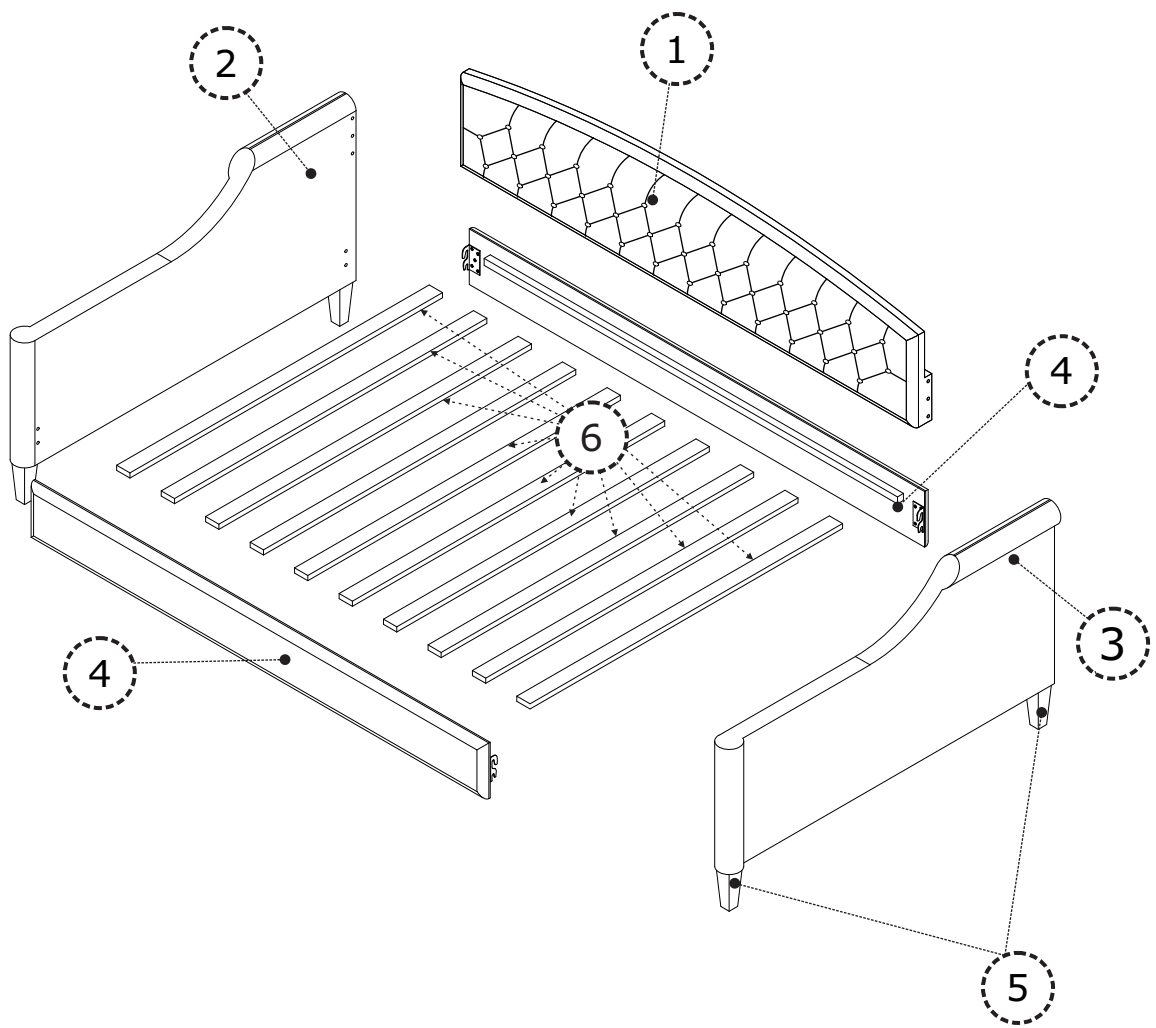


# ASSEMBLY INSTRUCTIONS

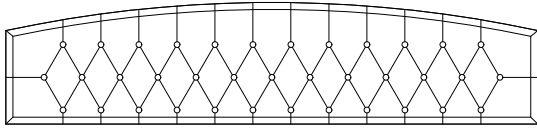


# PARTS

Check that you've received  
all parts listed below.

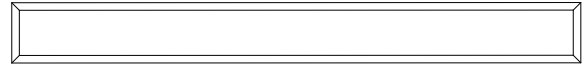
**BOX: 1/2**

① x 1



Head Board

④ x 2



Rails

⑤ x 4



Legs

⑥ x 10



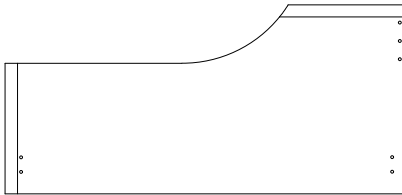
Slats

# PARTS

Check that you've received  
all parts listed below.

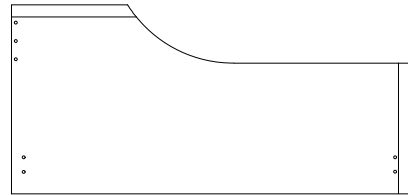
**BOX: 2/2**

2 x 1



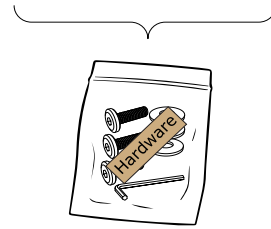
Side Board Left

3 x 1



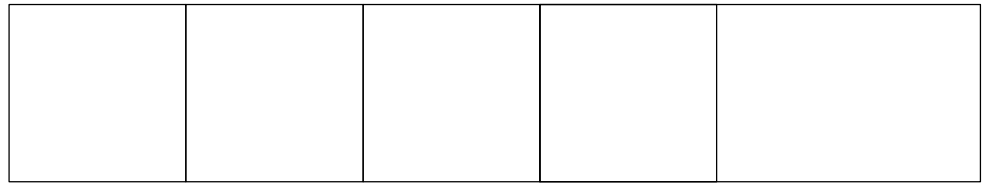
Side Board Right

## Hardware

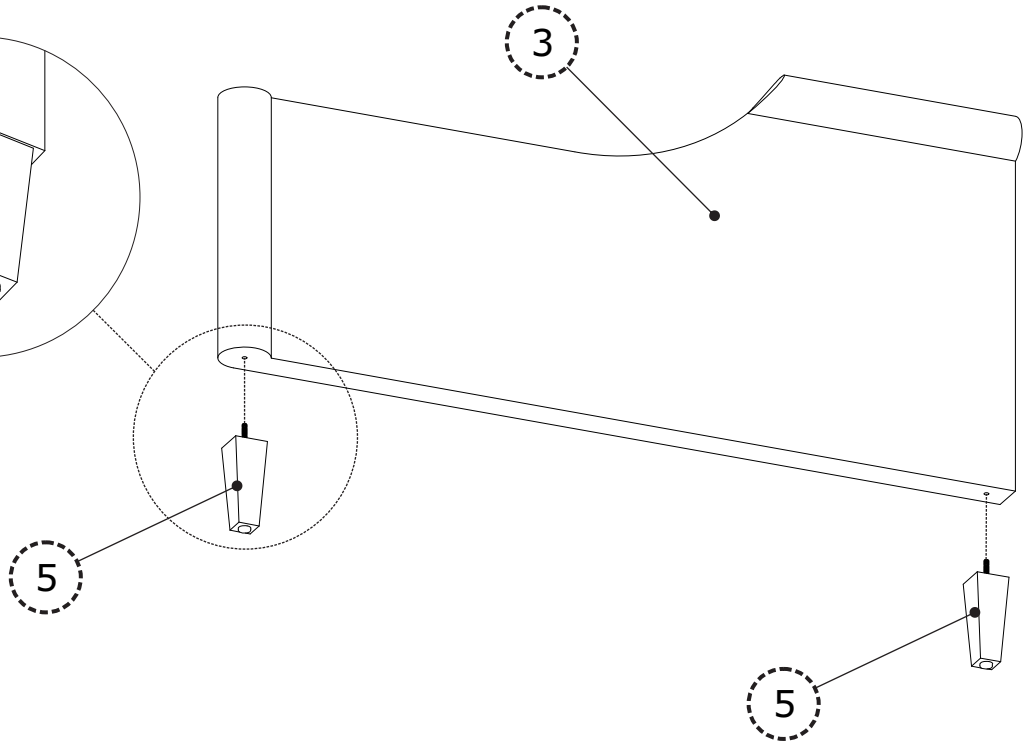
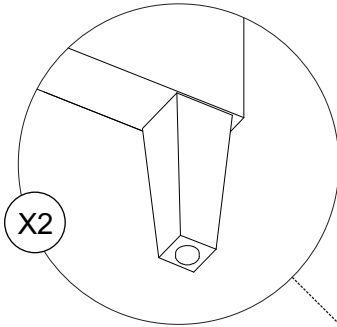




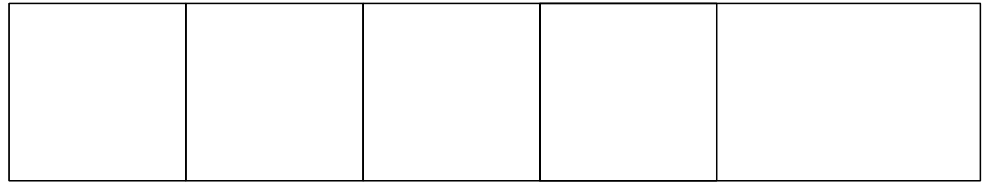
# STEP 1



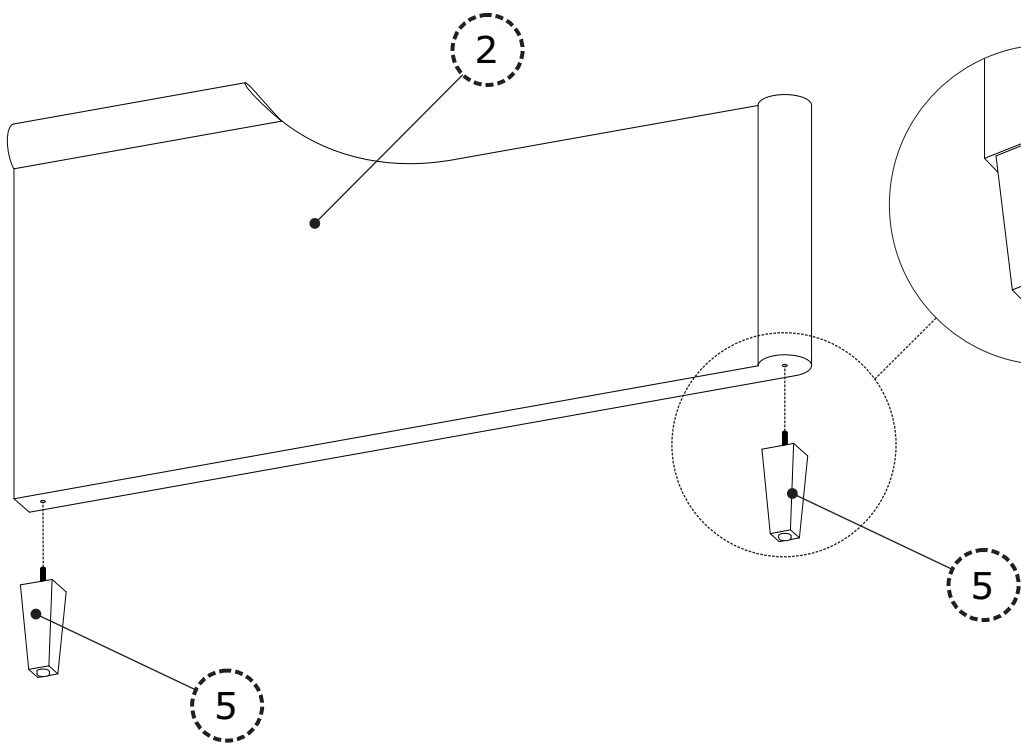
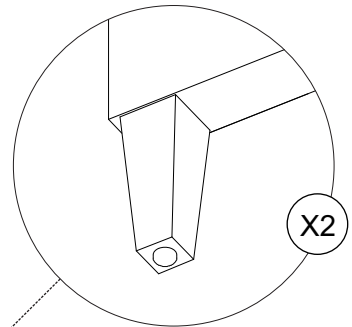
100%



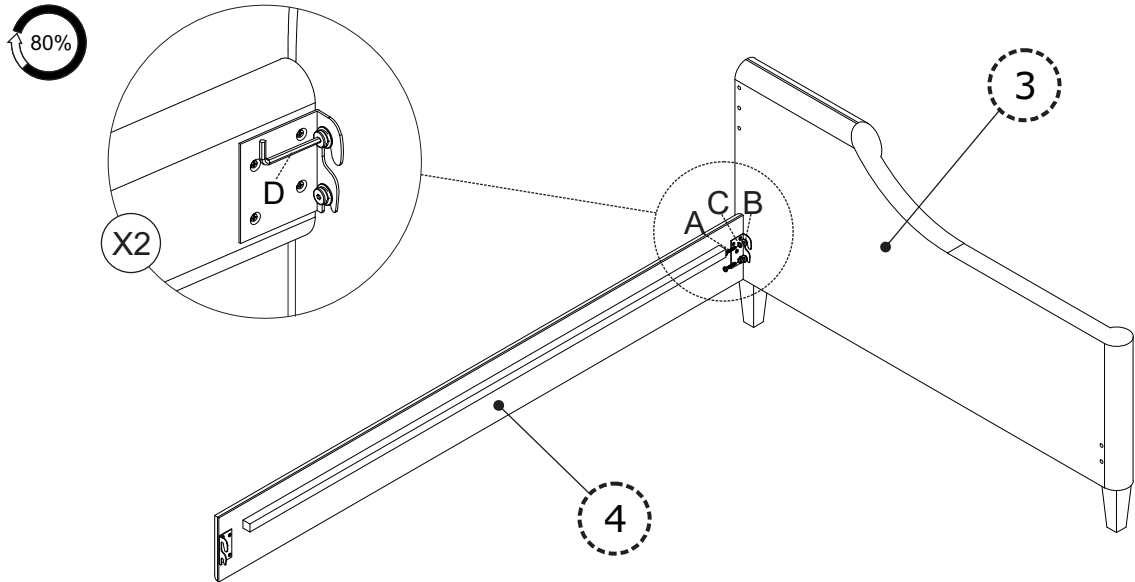
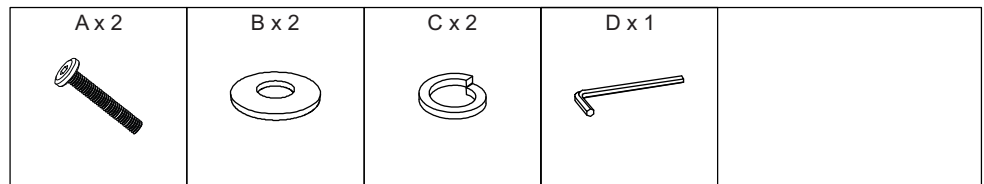
# STEP 2



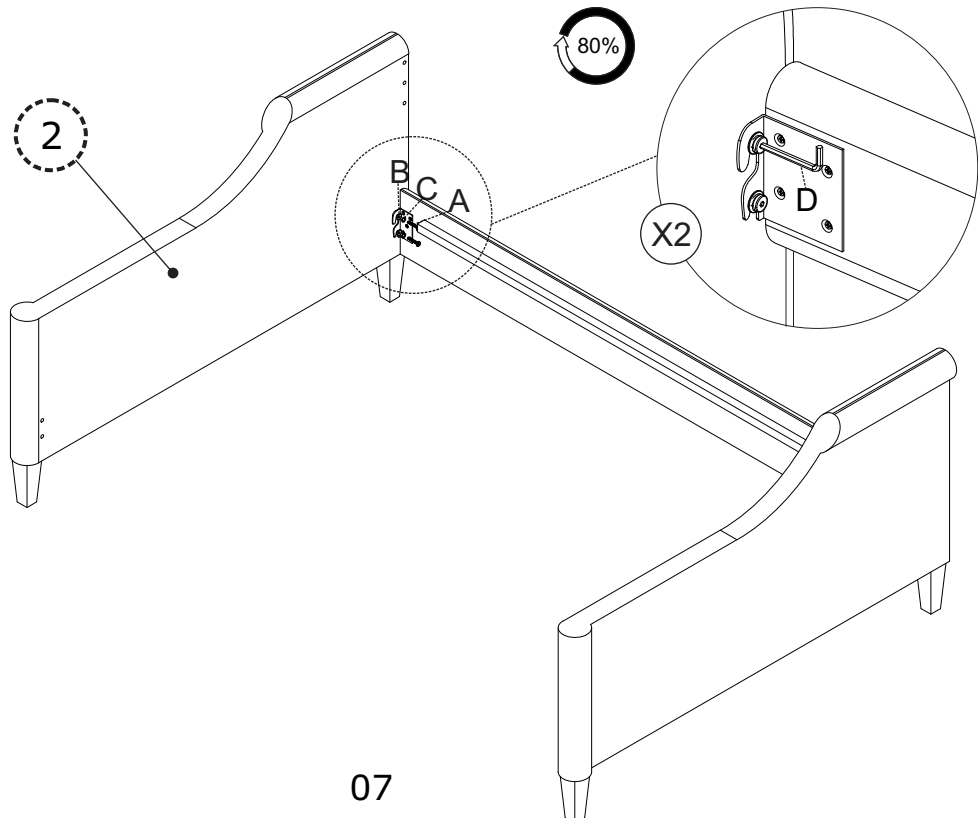
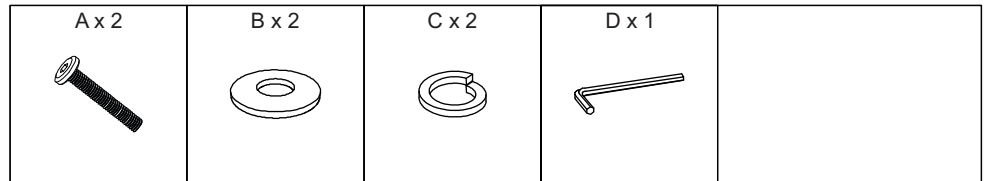
100%



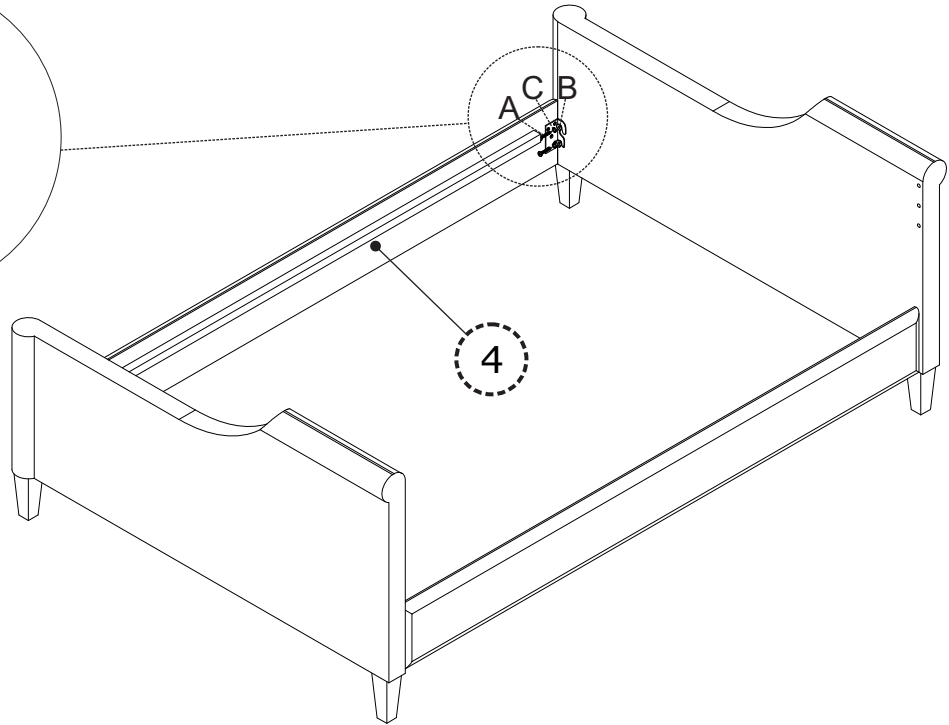
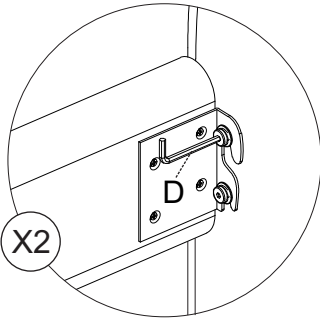
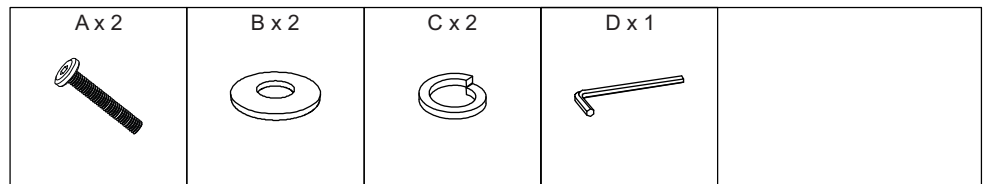
# STEP 3



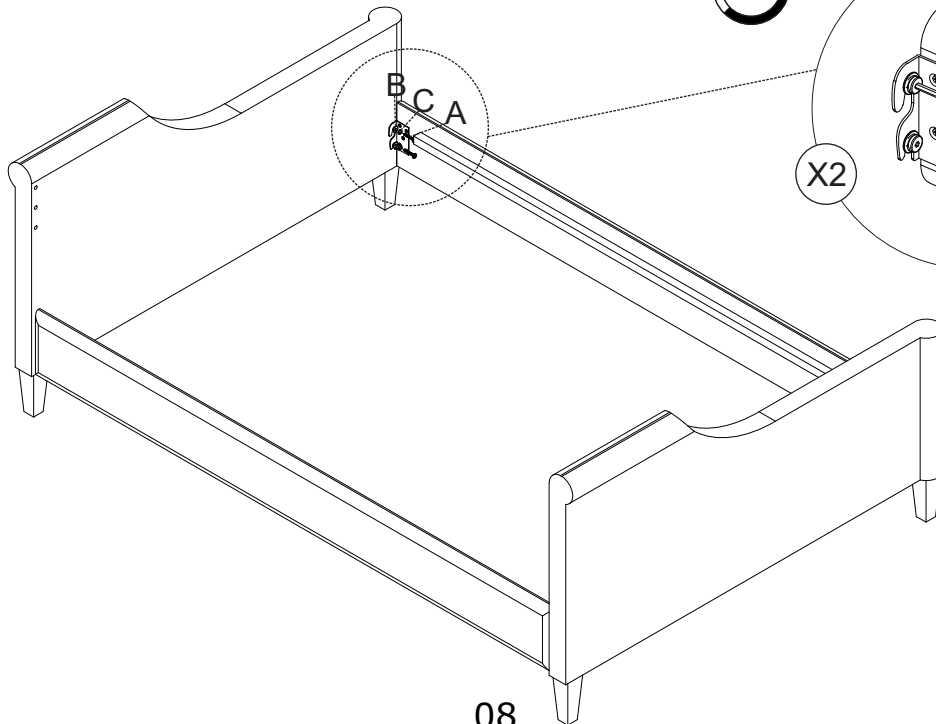
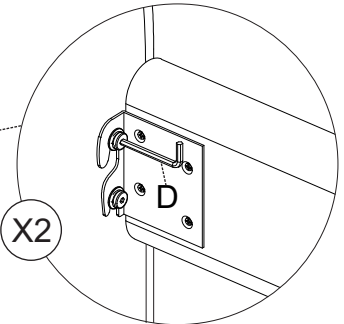
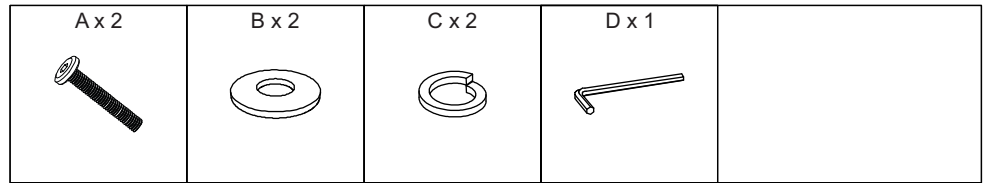
# STEP 4



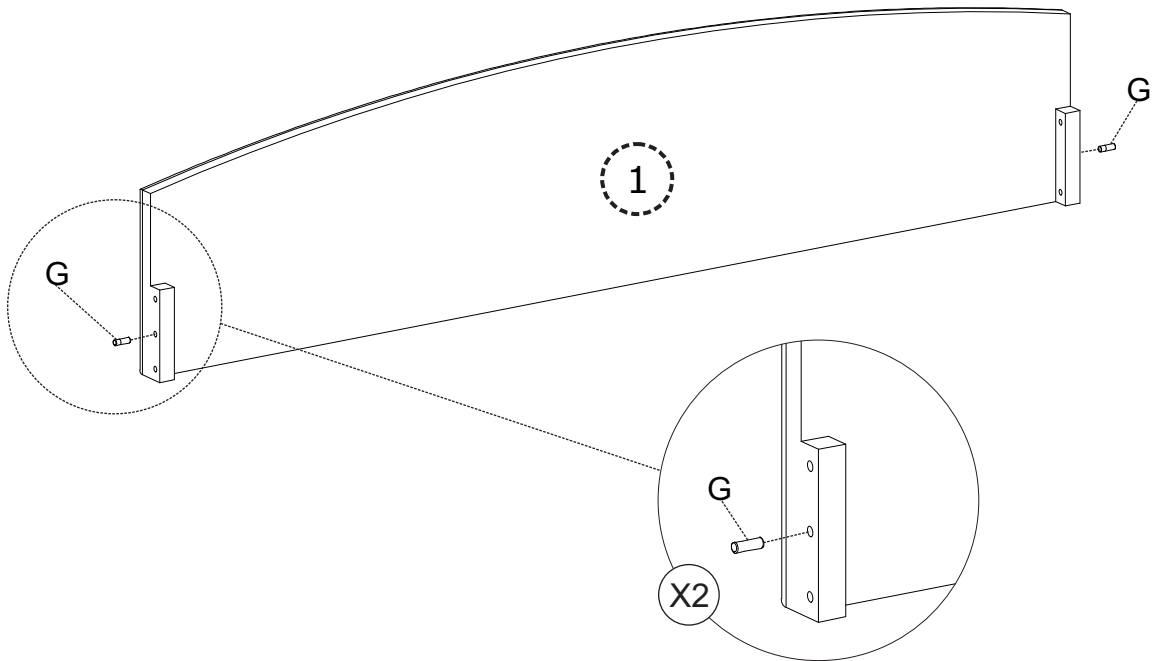
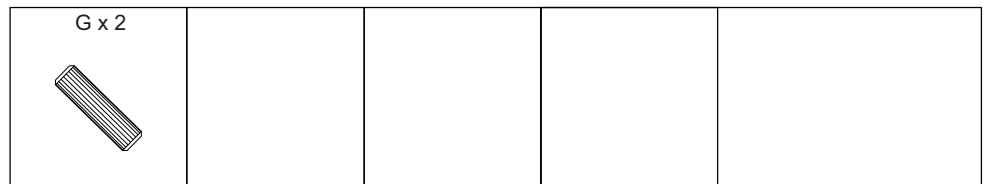
# STEP 5



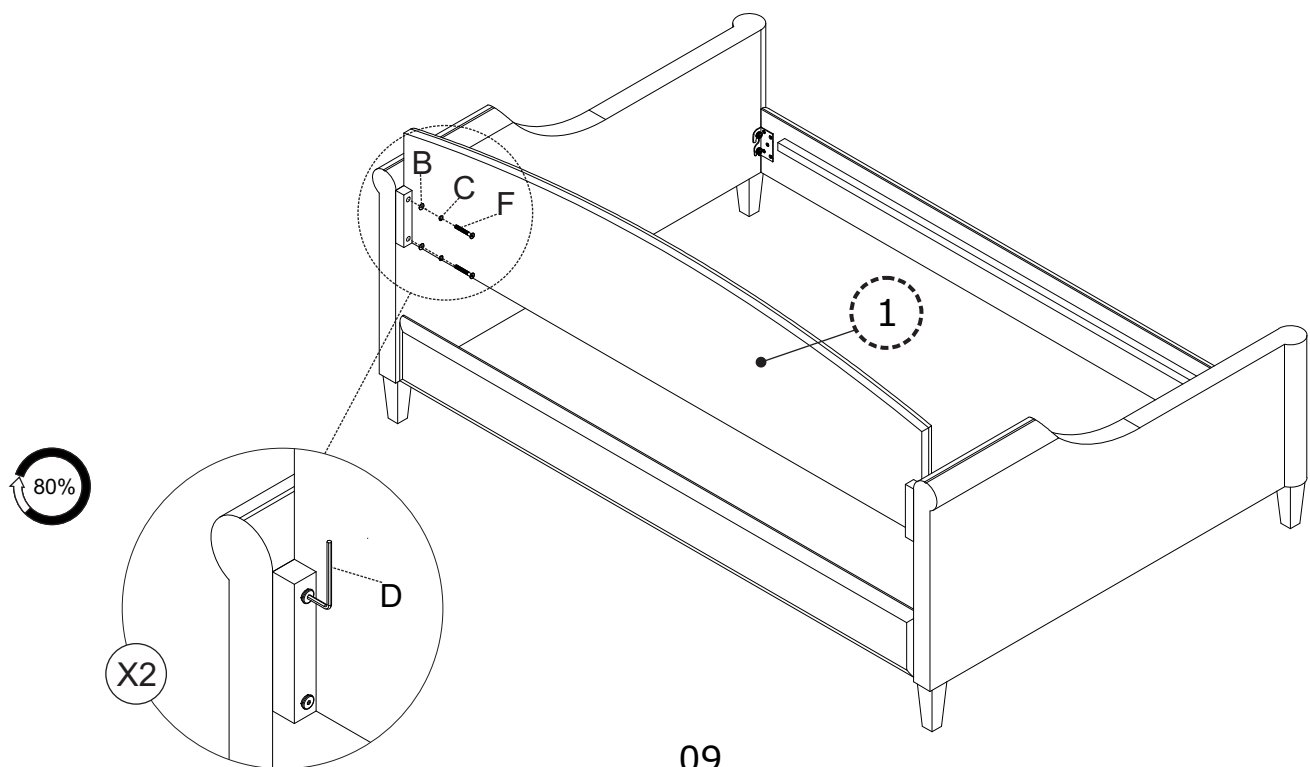
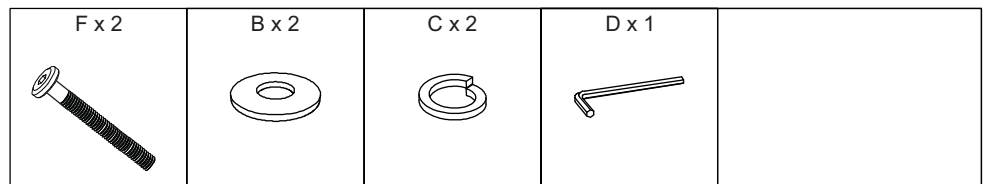
# STEP 6



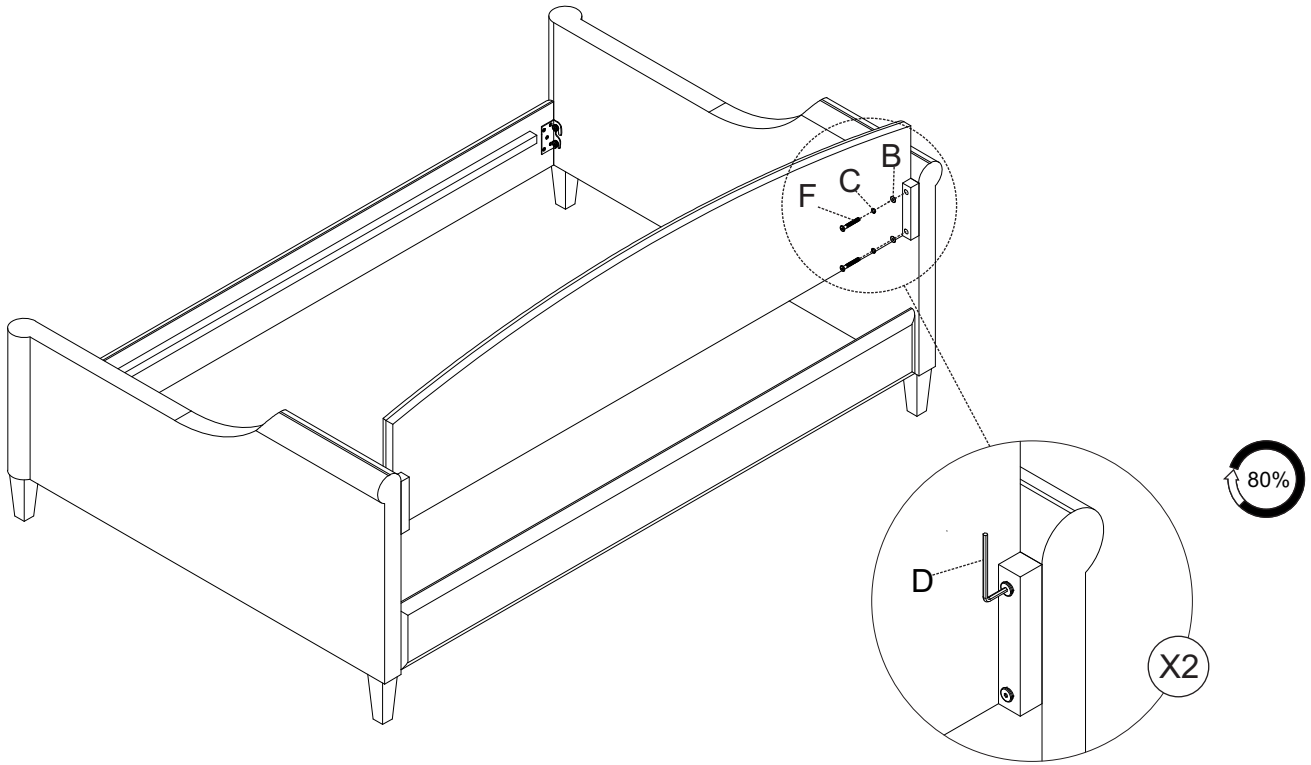
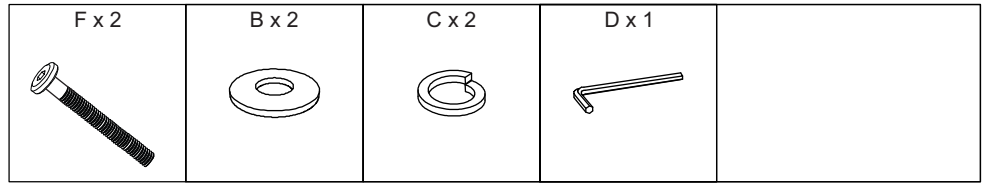
# STEP 7



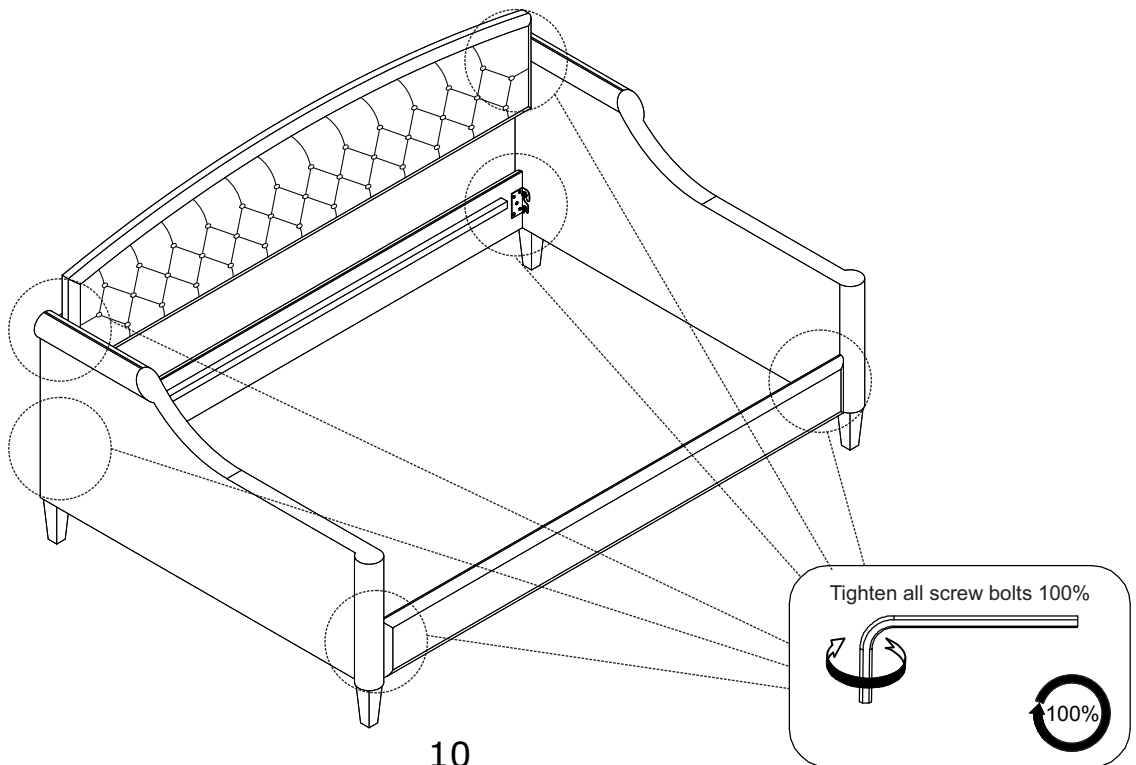
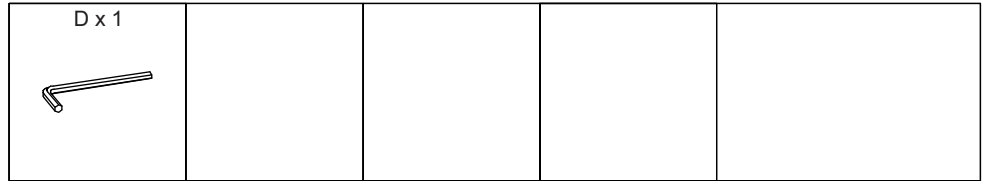
# STEP 8



# STEP 9

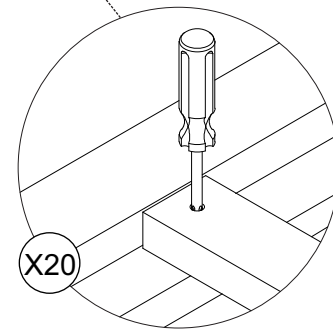
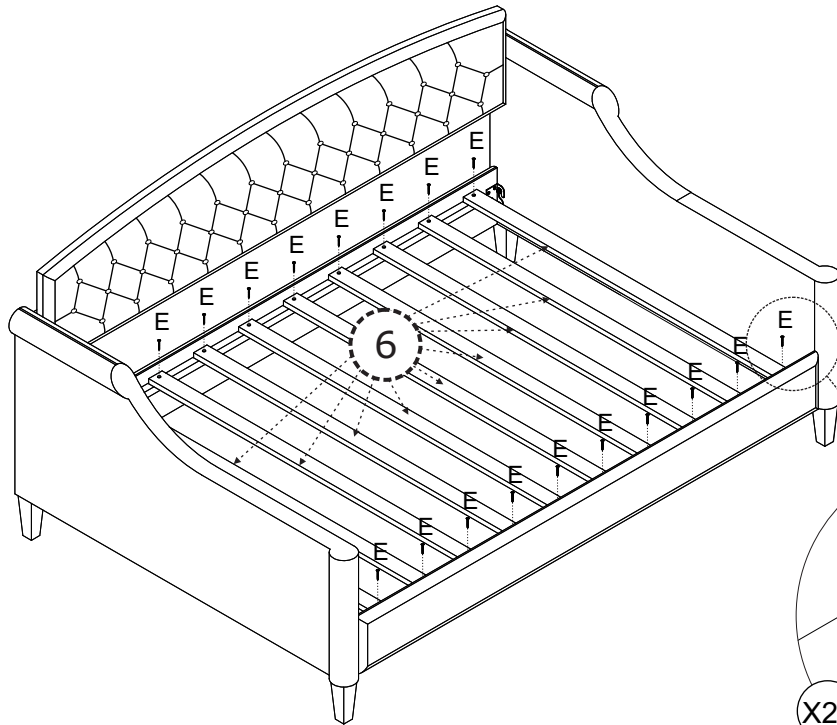
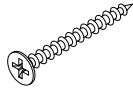


# STEP 10



# STEP 11

E x 20



X20

