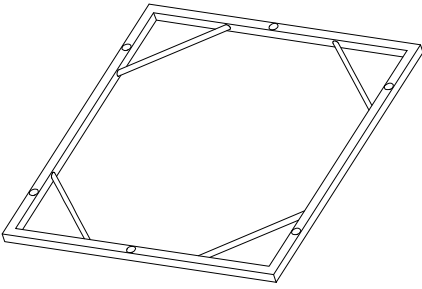
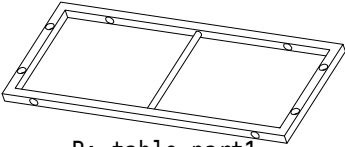
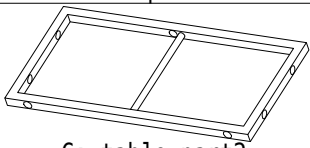
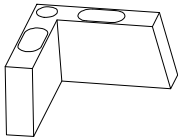
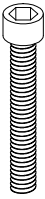
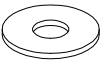
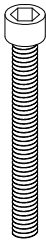

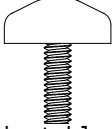

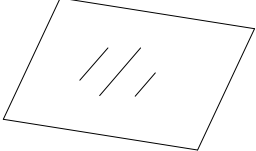




# Coffee Table

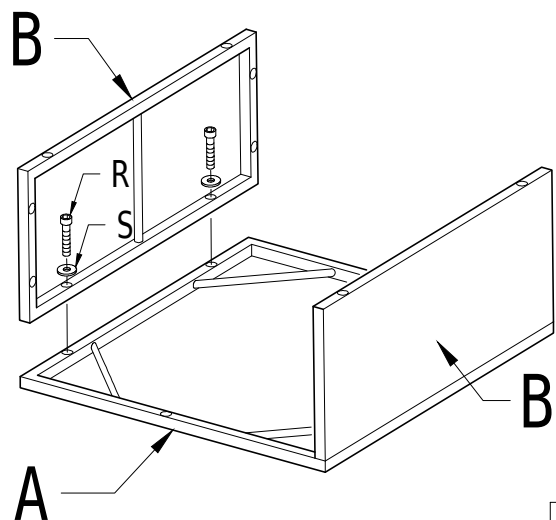
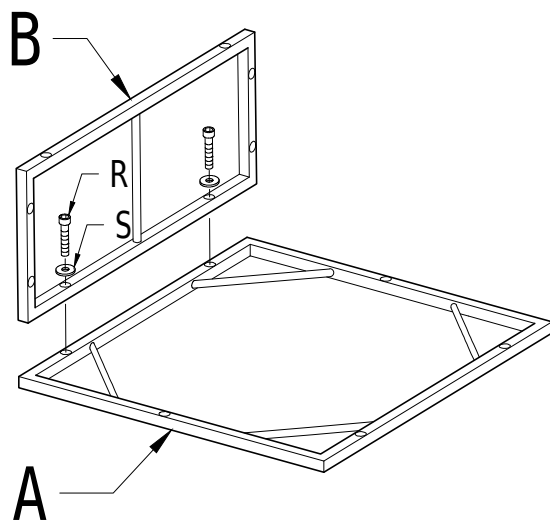
- a. Opening, please check the parts. In case of broken glass, please avoid scratching your fingers! Any defect or missing, contact us in time.
- b. Advisable to assemble on the mat to avoid wear and tear. Avoid all sharp objects touching the product surface. Do not allow the children to play around.
- c. Do not tighten all screws entirely until assemble is completed. Power tools are available, don't over-tighten for strip threads.

 <p>A: table top 1 pcs</p>	 <p>B: table part1 2 pcs</p>  <p>C: table part2 2 pcs</p>	 <p>J: sofa foot 4 pcs</p>	 <p>R: screw M6*35mm 14 pcs</p>	
 <p>S: shim <math>\varnothing 16 \times 6.4 \times 1</math> 14 pcs</p>	 <p>X: screw M6*45mm 8 pcs</p>	 <p>Y: shim <math>\varnothing 11 \times 6.2 \times 1</math> 8 pcs</p>  <p>Z: adjustable screw 4 pcs</p>	 <p>Inner hexagon spanner 1 pcs</p>	 <p>table glass 1 pcs</p>

## Step 1

A x 1, B x 2

 <p>R: screw M6*35mm 4 pcs</p>	 <p>S: shim <math>\varnothing 16 \times 6.4 \times 1</math> 4 pcs</p>
---	--



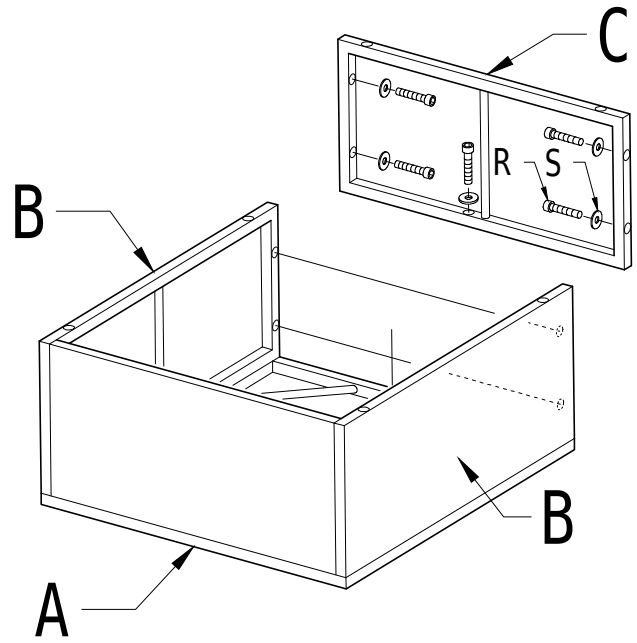
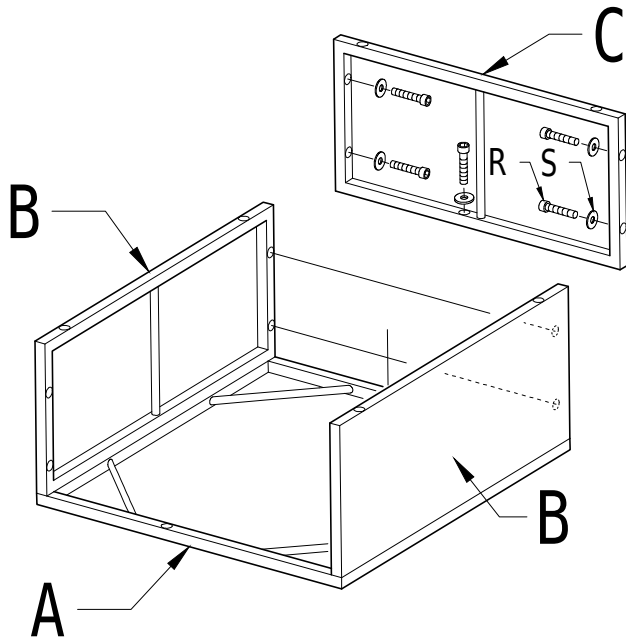
# Step 2

C x 2

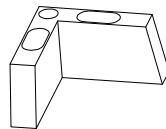


R: screw M6\*35mm  
10 pcs

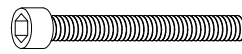
S: shim  
ø16\*6.4\*1 10 pcs



# Step 3



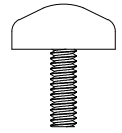
J: sofa foot  
4 pcs



X: screw M6\*45mm  
8 pcs



Y: shim  
ø11\*6.2\*1 8 pcs



Z: adjustable  
screw 4 pcs

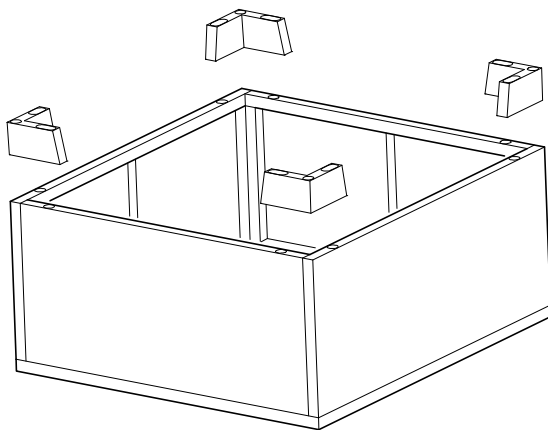
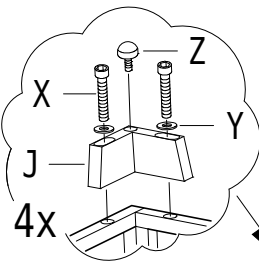


table glass

