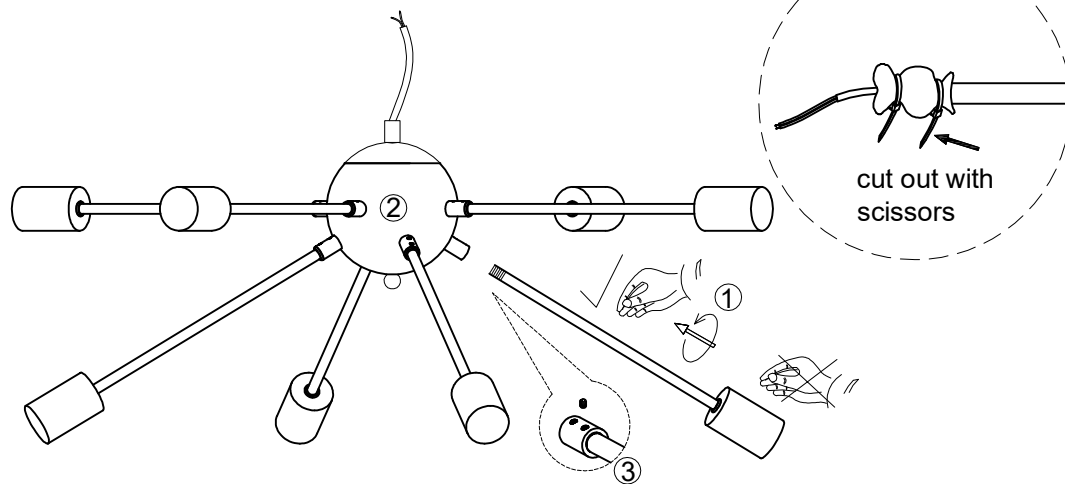
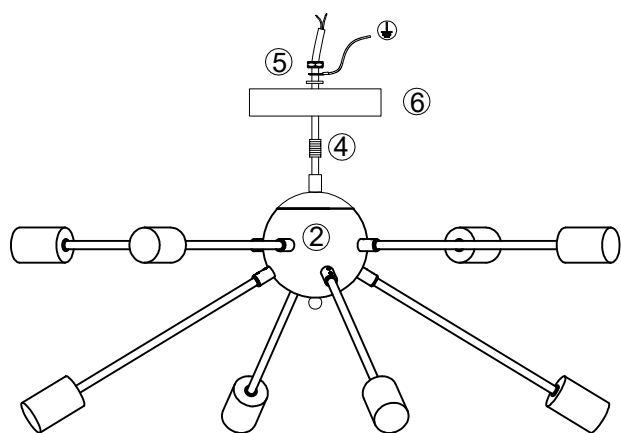


1



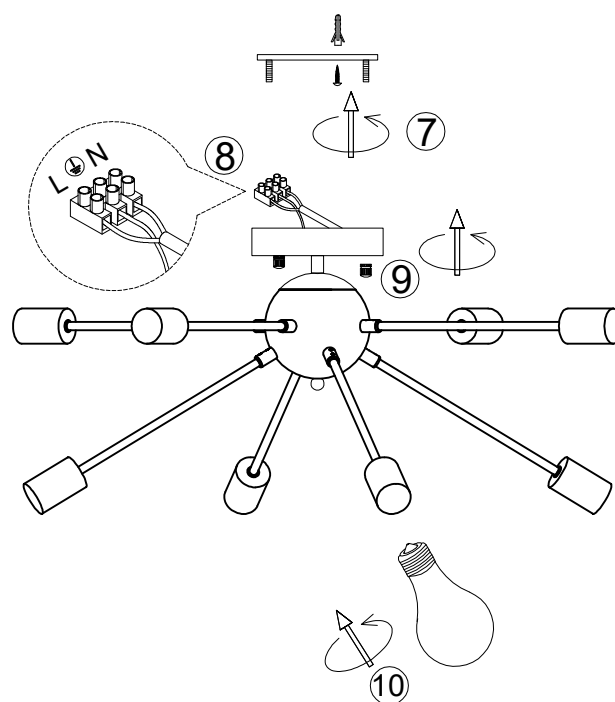
1. Turn and fix the tube 1 on the ball 2, lock it with screw 3.  
(note: please hold the tube not the cup by your hand when install the tubes.)

2



2. Rotate to install the thread rod 4 to the ball 2, fasten the canopy 6 and ground line to the ball with lock nut and teeth lock washer 5.

3



3. Install the bracket on the ceiling with expansion tubes and screws 7  
4. Connect the wire to your home line with connector 8  
5. Install the fixture to the bracket with nut 9  
6. Install the bulbs 10

## Installation Manual

Please read carefully before installation!!!

Note : Please make sure that the electricity is powered off during installation !

Only a professional electrician should install this kind of product !