

ASSEMBLY INSTRUCTIONS

MODEL: 110 -1010-701 DESK

Diagram 1

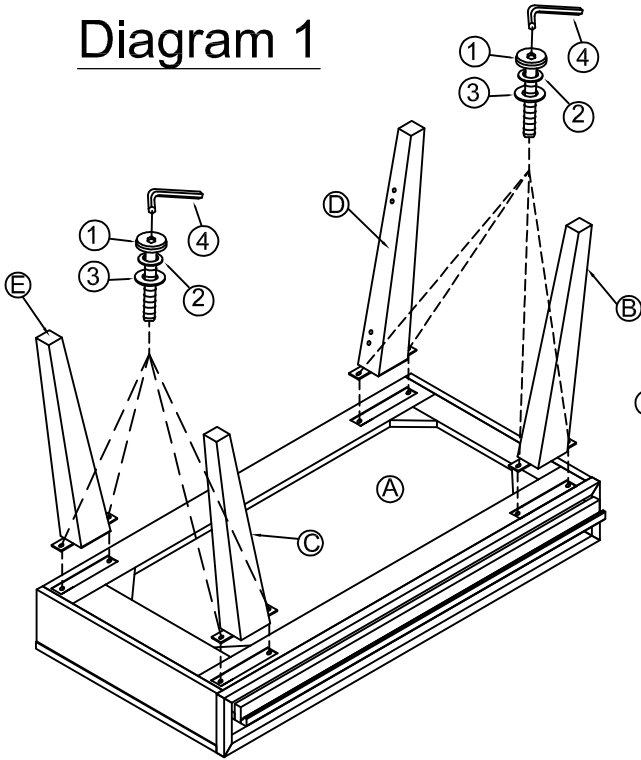
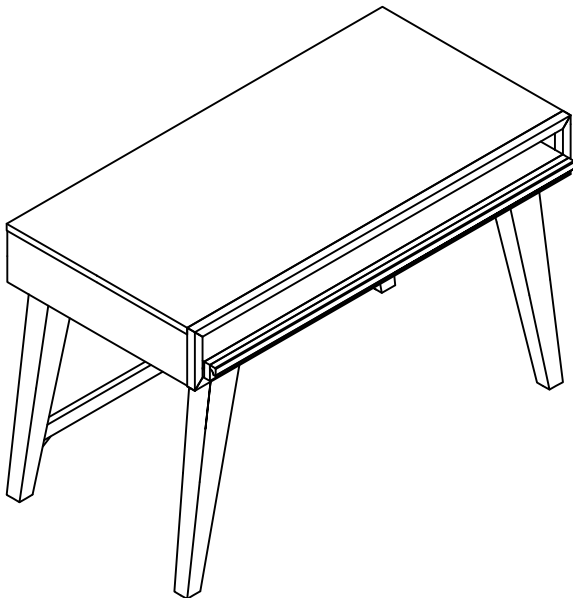
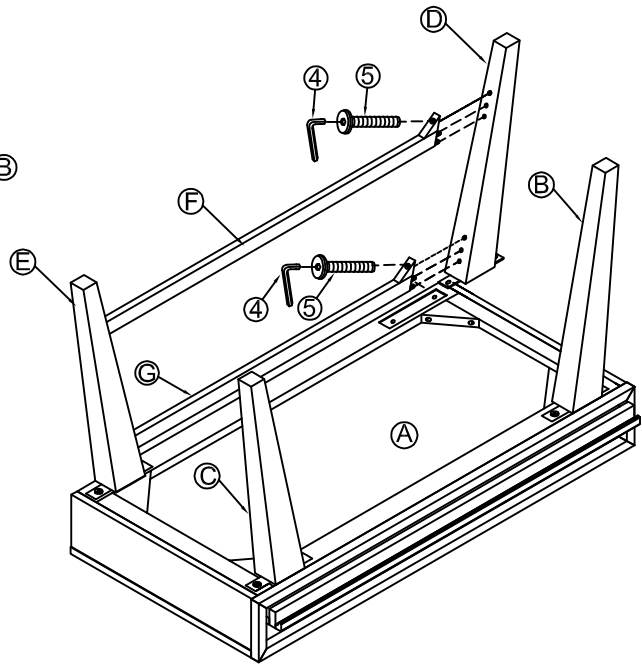


Diagram 2



ATTENTION: DO NOT TIGHTEN SCREWS UNTIL COMPLETELY ASSEMBLED.

CLEANING INSTRUCTION:
Clean surfaces using a clean soft damp cloth.

PART LIST

NO	DRAWING	DESCRIPTION	Q'TY
A		TABLE	1 pc
B		FRONT LEG (LEFT)	1 pc
C		FRONT LEG(RIGHT)	1 pc
D		BACK LEG (LEFT)	1 pc
E		BACK LEG (RIGHT)	1 pc
F		RAIL	1 pc
G		RAIL	1 pc

HARDWARE PACK

NO	DRAWING	DESCRIPTION	Q'TY
1		Bolt Ø1/4"x18mm	8 pcs
2		Lock washer Ø 1/4	8 pcs
3		Flat washer Ø 1/4"x16x2mm	8 pcs
4		Allen Key	1 pc
5		Bolt Ø5/16"x1-35mm	4 pcs

MADE IN VIETNAM