

Installation Guide

Please go to our website for product cleaning tips. Go to the **Care + Maintenance** selection.

Tools Required: Flathead screwdriver, Phillips screwdriver, pliers, wire cutters, wire strippers, electrical tape, safety glasses.

Light Source: (6) G9 Clear Xenon Bulbs 40W Maximum (included).

Fixture Hanging Height: Minimum Hanging Height is 23", Maximum Hanging Height is 53".

Estimated Assembly Time: 20-30 minutes

Preparation: Identify and inspect all parts before beginning installation. Check package content list and diagrams below to ensure all parts are present. If any parts are missing or damaged, do not attempt to assemble, install, or operate the fixture. Contact your original place of purchase

⚠ Warnings and Cautions

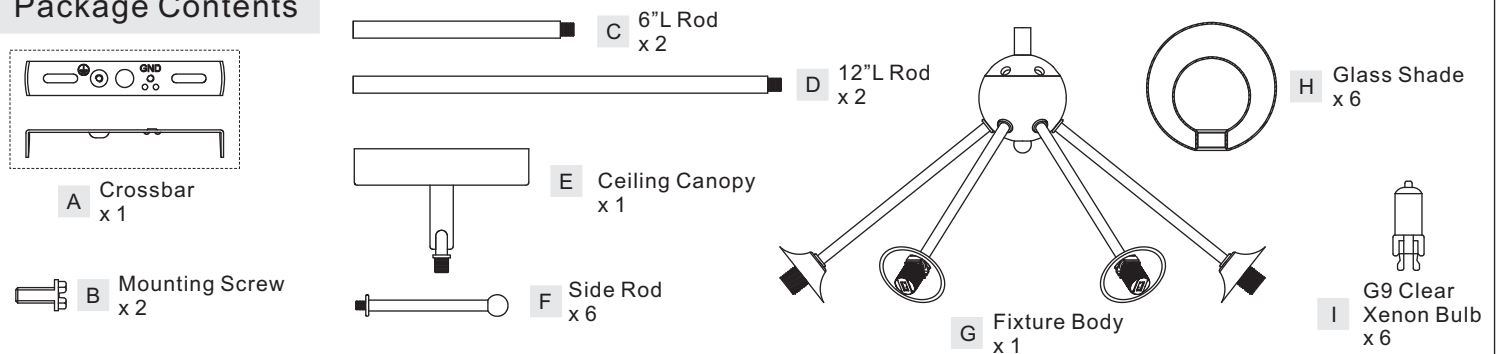
Turn off electricity at circuit breaker or main fuse box before installation. Consult a licensed electrician if in doubt.

These instructions are provided for your safety. It is very important you read them completely before installing the fixture. We strongly recommend that a licensed, professional electrician perform the installation.

Disconnect fixture from power source before replacing bulbs. Make sure bulbs are given sufficient time to cool before removal.

Do not touch the bulb with bare hands use a cloth or glove.

Package Contents



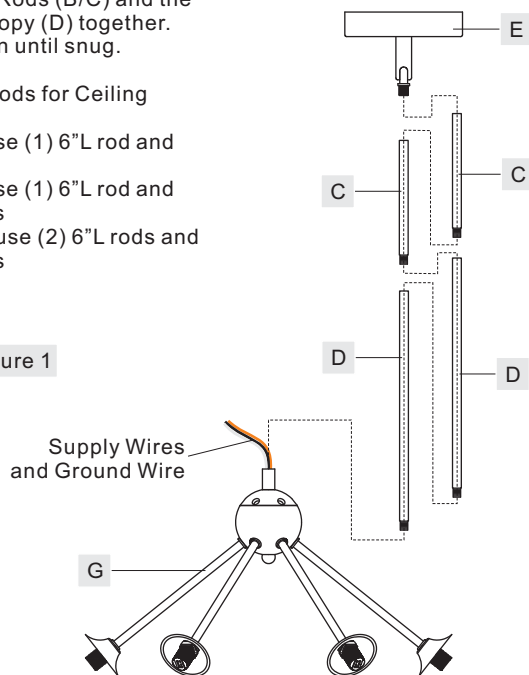
STEP 1 - Install Ceiling Canopy, Rods and Fixture Body together

- Determine the Rods (C/D) to be assembled to the Fixture Body (G) according to your hanging height.
- Pass the supply wires and ground wire through the chosen rods (C/D) and the Ceiling Canopy (E). Thread the Fixture Body (E), the chosen Rods (B/C) and the Ceiling Canopy (D) together. Hand tighten until snug.

Suggested rods for Ceiling height :

- 8' ceiling : use (1) 6" L rod and (1) 12" L rod
- 9' ceiling : use (1) 6" L rod and (2) 12" L rods
- 10' ceiling : use (2) 6" L rods and (2) 12" L rods

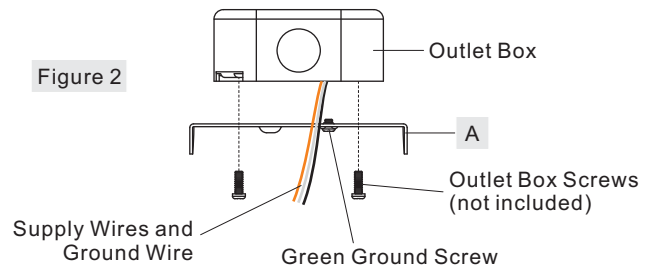
Figure 1



STEP 2 - Install the Crossbar to the junction box

- Attach the Crossbar (A) to the outlet box with the head of the green ground screw facing you. Secure it with outlet box screws (not included), tighten until snug.

Figure 2



STEP 3 - Wire Connections

- Wrap bare or green ground wire around green ground screw on the crossbar, no less than 2 inches from the end of the wire. Tighten the

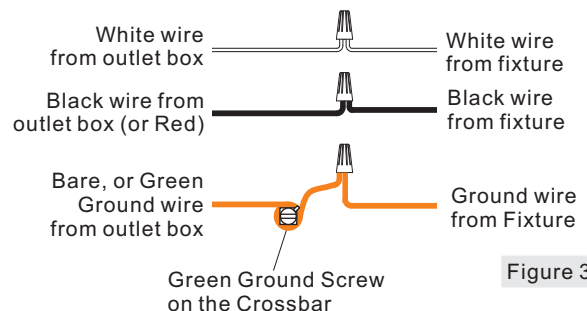


Figure 3

(Step 3 Continued)

green ground screw.

- B. Use standard wire connectors (not included) to make all wire connections. Twist connectors until wires are tightly joined together. Wrap each connection with approved electrical tape and carefully stuff all the connected wires into the Outlet Box.

STEP 4 – Install the Ceiling Canopy to Crossbar

- A. Place the Ceiling Canopy (E) onto the Crossbar (A) and secure with Mounting Screws (B). Tighten until snug with screwdrivers.

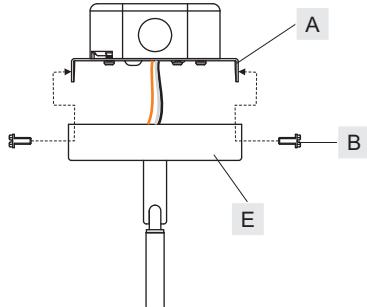


Figure 4

STEP 5 – Install Side Rods, Bulbs and Glass Shades

- A. Thread Side Rod (F) onto the junction box and hand tighten until snug.
- B. Insert Bulbs (I) onto sockets and push snugly into properly.
- C. Thread the Glass Shade (H) onto the socket and hand tighten until snug.

Your fixture is now assembled and ready to use. Enjoy!

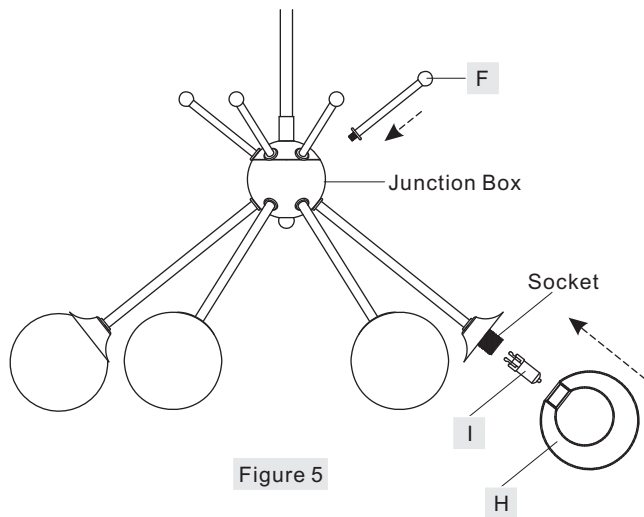
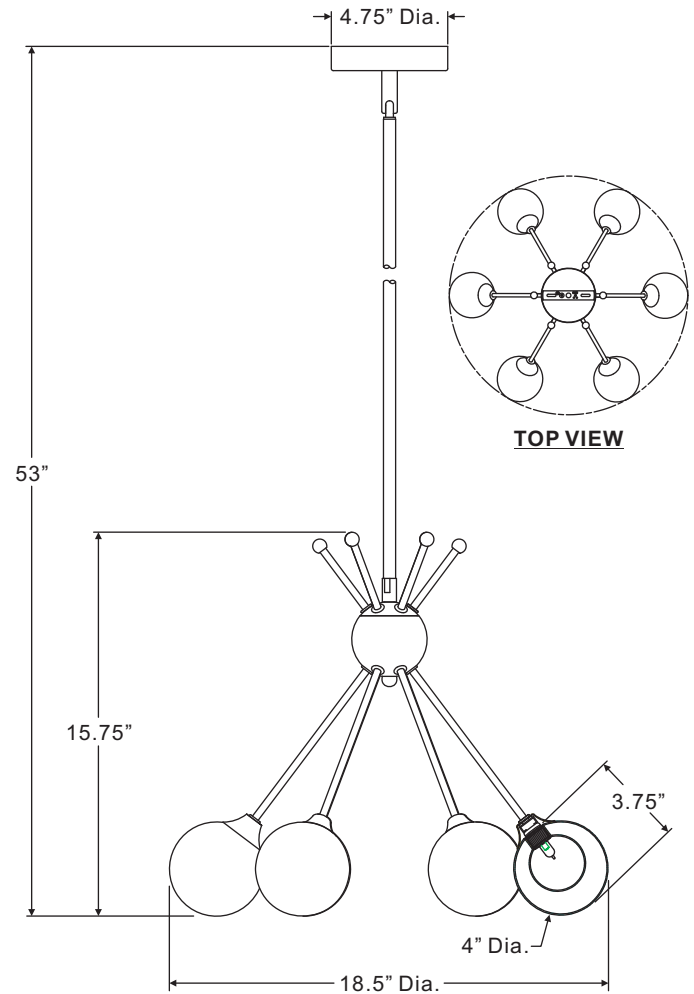
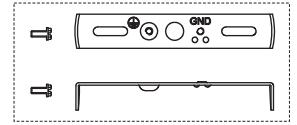


Figure 5

FINISH: POLISHED CHROME



TOP VIEW

NOTE: ALL DIMENSIONS ARE ROUNDED UP TO THE NEAREST 1/4"

CAUTION FOR BULB REPLACING

- A. When replace bulb, turn off power and allow lamp to cool. For safety purpose, wear gloves and eye protection.
- B. If bulb is scratched or cracked, DO NOT use the lamp to avoid breakage during use or installation.
- C. Use only in fixtures rated for lamps wattage and voltage.
- D. Lamp operate under high pressure generating intense heat. Prevent contact with liquid and combustible materials.