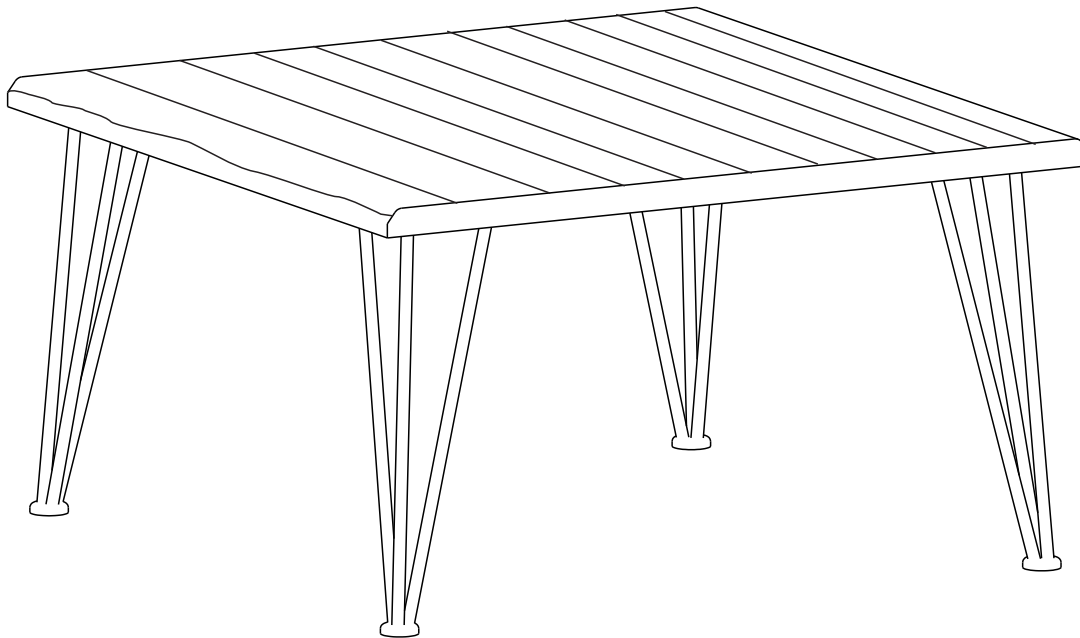


Assembly Instructions

Caution : You must read this before you proceed

TABLE

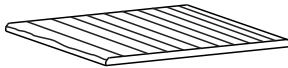
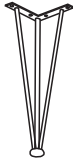


CAUTION : This Table is NOT a TOY.




Keep your child / children at bay during the assembly process.

For moving the Table and to prevent damage to the Table, two adults are needed to execute this action.

Parts List

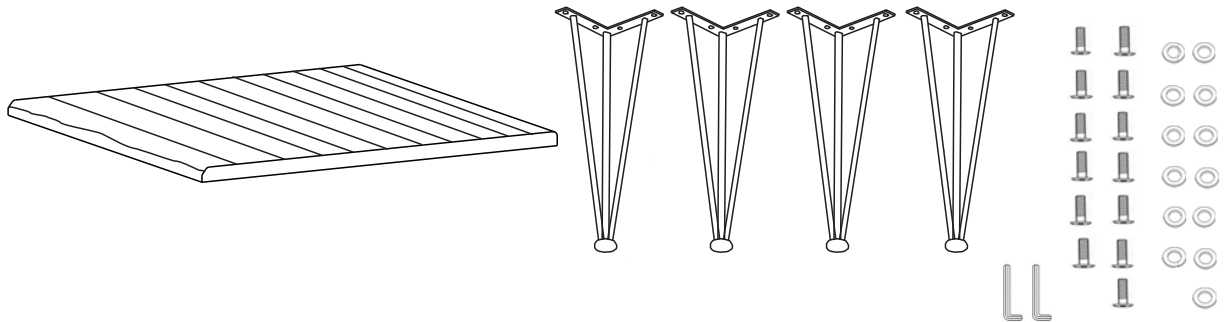
Label	Picture	Description	QTY
A		Table top	1
B		Leg	4

Hardware

Label	Picture	Description	QTY
①		Bolt (M8x15mm)	13
②		Flat Washer (M8.5/20x2mm)	13
③		Allen key	2

Assembly Preparation

Before Beginning Assembly:



- Read instructions, cover to cover-



- Have 2 adults on hand for assembly-



- Do not assemble on flooring or carpet-



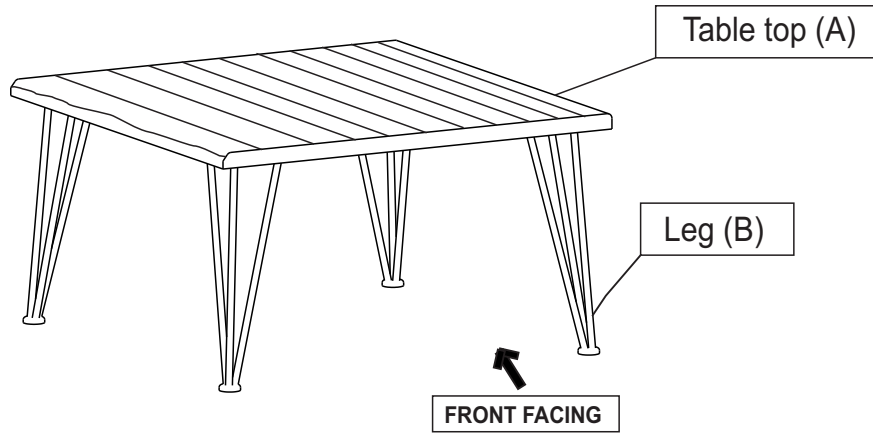
- Assemble on a clean non-marring surface (packing foam)-



- Save all packaging until finished-

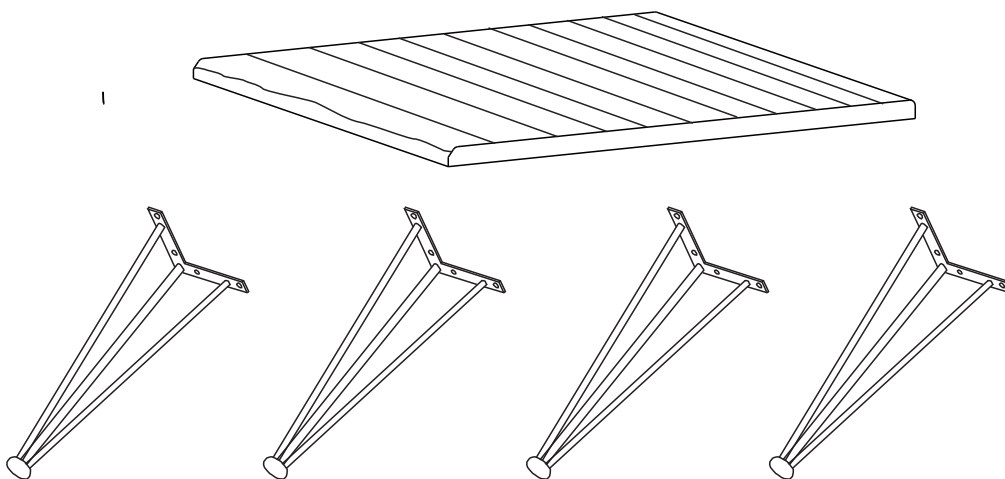
Assembly Steps

OVERVIEW



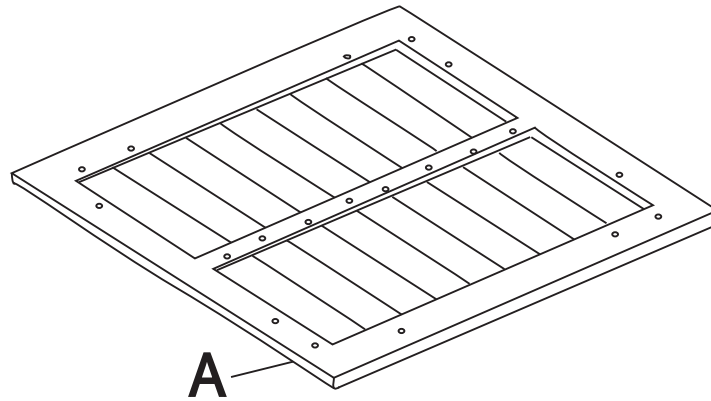
This Table has multiple parts and may require up to 30 minutes to assemble. To give you an overview of the Table parts, the above picture is to help you put the various parts into perspective. Please read through the instructions below to familiarise yourself with the parts and steps before assembly.

Step 1



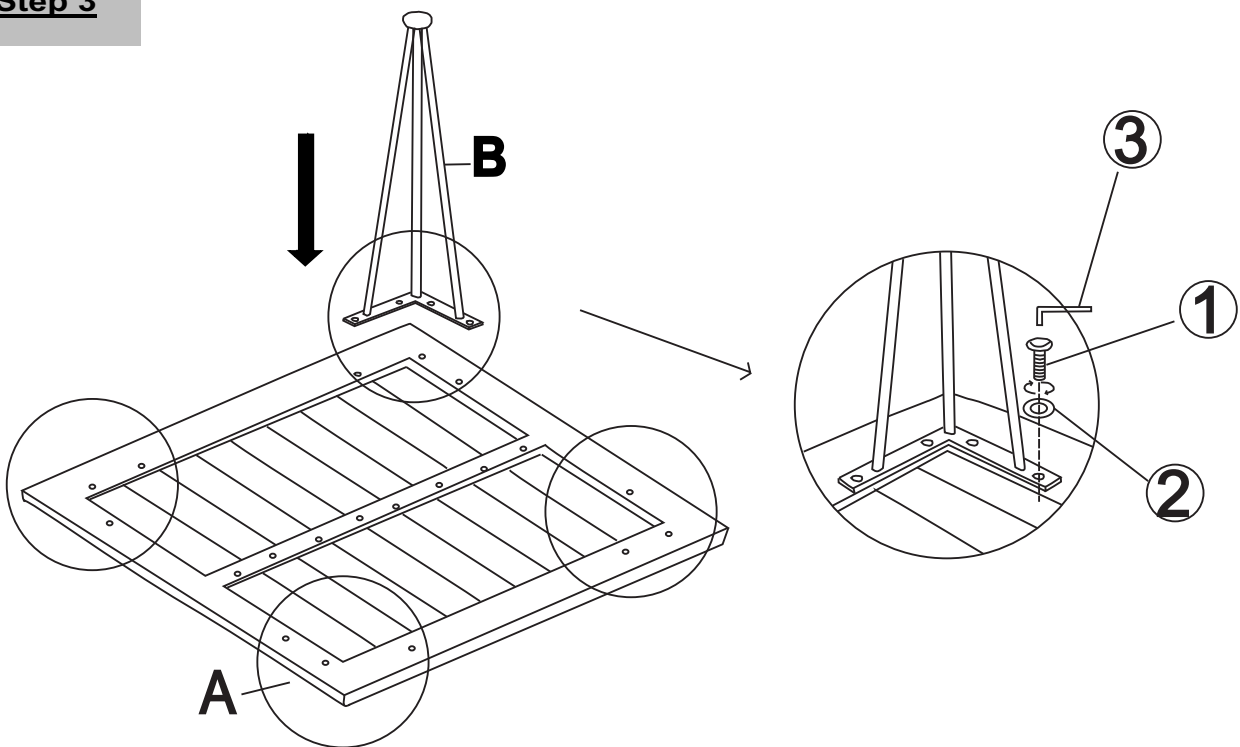
Unpack and place all parts on a clean, non-marring surface.

Step 2



With the assistance of an adult, lay the Table panel (A) facedown onto a clean, flat surface to avoid any scratches or damage to the product.

Step 3



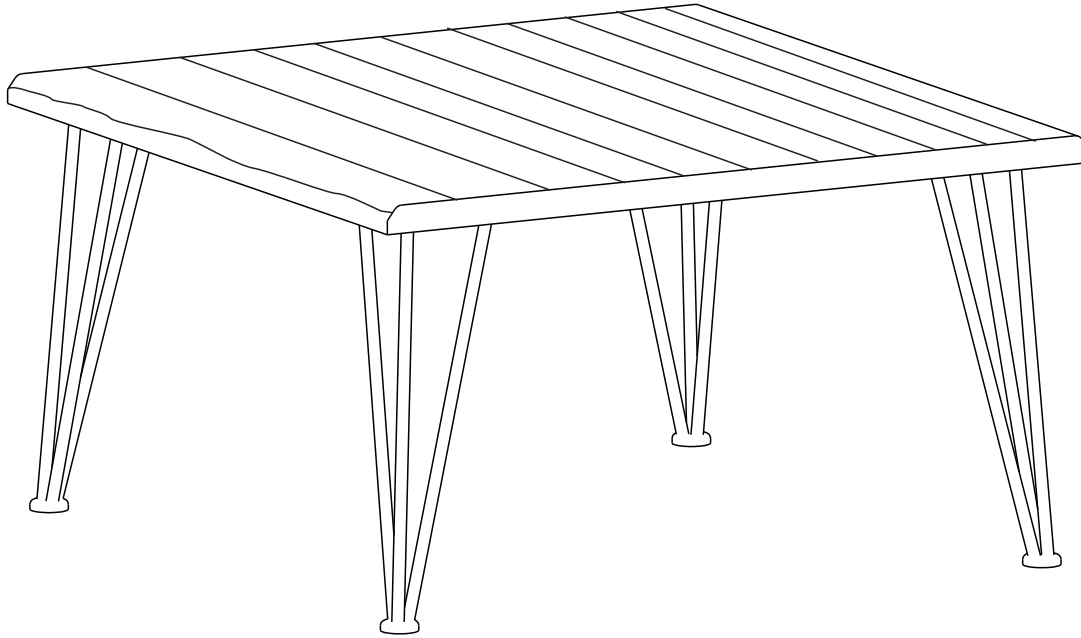
Insert leg (B) into the table top (A), put the flat washers (②) and bolt (①) as above picture.

Affix leg (B) and table top (A) by using Allen key (③).

Repeat the same process with the other 3 Legs (B)

Do not fully tighten the Bolts.

Step 4



















With assistance from your partners, turn the Table back to normal flat ground
EXERT pressure, floorwards, onto the Table



This pressure will help the Legs and Table Top reach alignment at all joints.
Check for wobbles.

In a sequential manner, gradually tighten all Bolts until evenly secured.
Inspect the Table and make sure all parts are adequately connected.
Your Table is ready for use.

This Table can only be used on a flat, level surface.

Care & Maintenance

-   ● Do not put hot items directly on furniture surface
-   ● Do not clean furniture with harsh cleansers or polish.
-   ● To obtain the longest lifespan of your outdoor products, minimizing exposure to direct sunlight is recommended.
-   ● Children should not climb or jump on the furniture.
-   ● Do not write on furniture without a padded barrier to protect the surface.
-   ● To obtain the longest lifespan of your outdoor products, avoid extended and lengthy exposure to rain, snow, and direct sunshine. Whenever possible cover the product and /or place under patio or awnings.
-   ● Not for commercial use. For residential use only.
-   ● Stains may be removed with mild soap solution and damp cloth.

-   ● Dust and pick-up spills using a clean, non-colored, lint-free cloth .