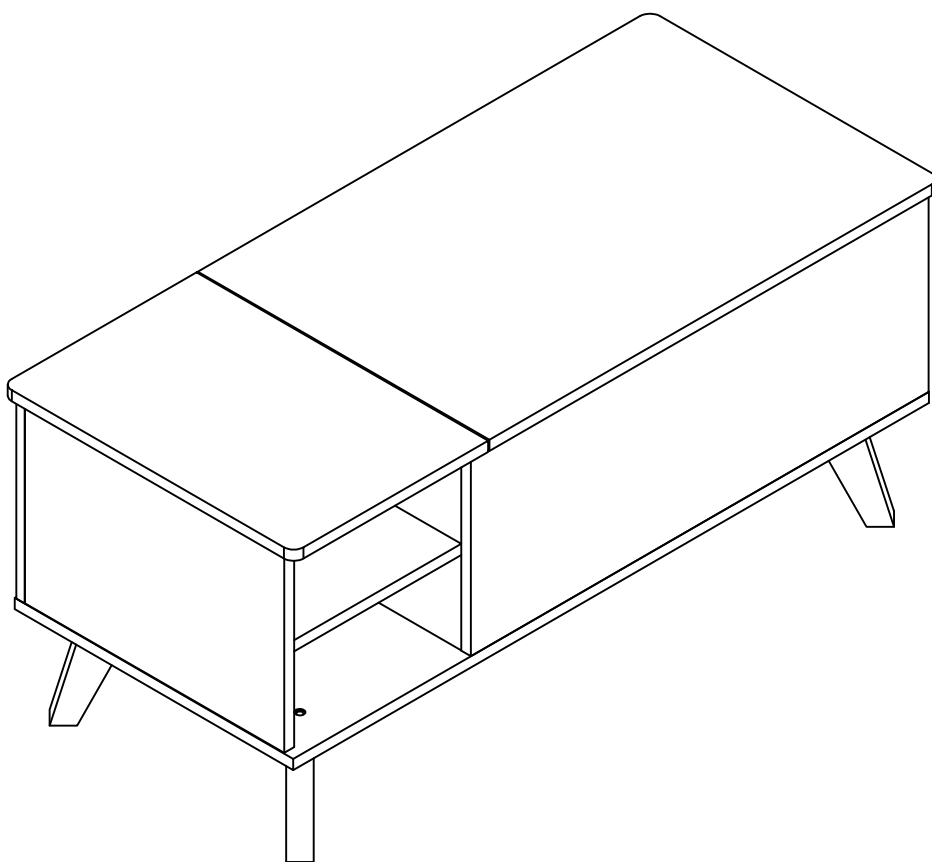


Installation Instruction



Assembling

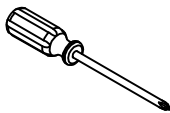
Estimated time for assembly



45 : 00

What you need

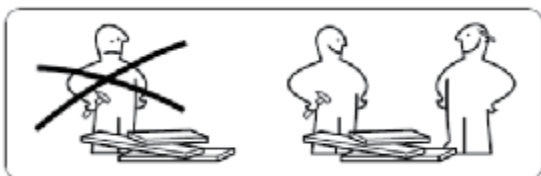
- Use the packaging carton as a working surface to prevent product damage during assembly
- Phillips head screwdriver



Weight Limitation



100 | **35**
lbs table top lbs per

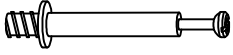


What' included

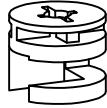
Code	Description	Qty
A	Cam Bolt M6X35MM	18
B	Cam Lock 15X12MM	18
C	Wooden Dowel M6X30MM	27
D	Screw M4X40MM	11
E	Screw M3.5X14MM	20
F	Left regulator	1
G	Right regulator	1
H	Screw M7X40MM	4
I	Four hole iron sheet	1
J	Adjustable Leveler	1
K	screw M4X55MM	1
L	Foot nail	4

The Hardwares

(A)



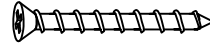
(B)



(C)



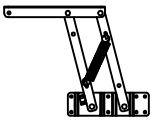
(D)



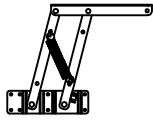
(E)



(F)



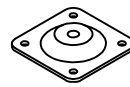
(G)



(H)



(I)



(J)



(K)



(L)



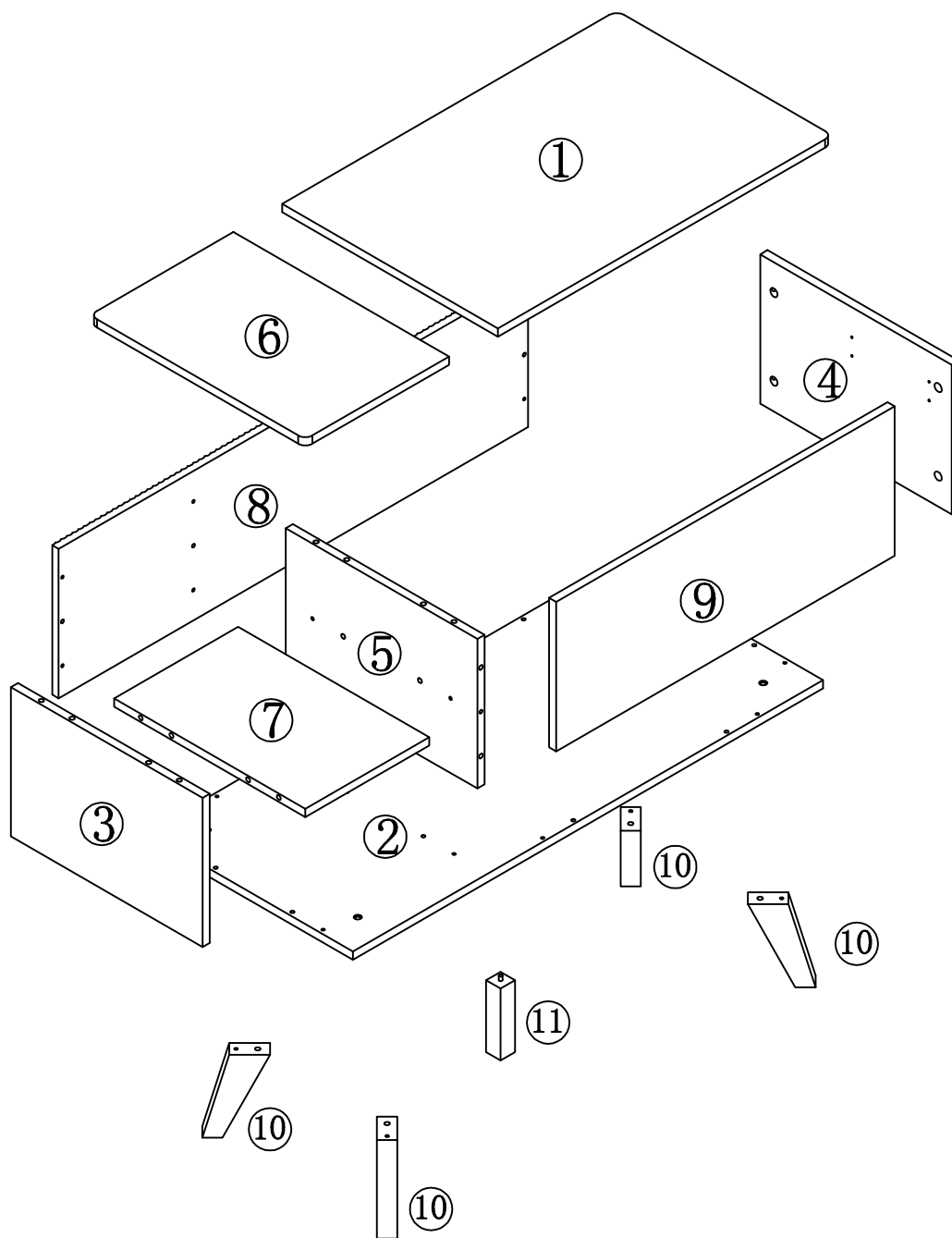
IMPORTANT:

1. Do not tighten bolts / screws completely until all bolts / screws are lined up and inserted into holes.
2. Do not over tighten screws and bolts to avoid stripping
3. Please use hand tools to assemble this product. Do not use power tools.

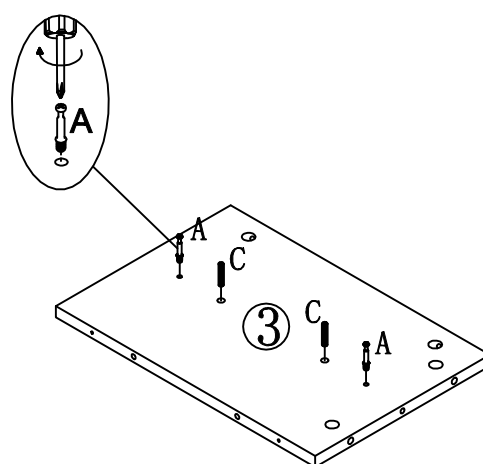
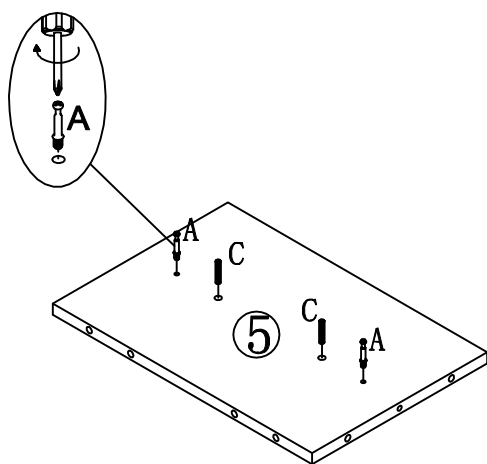
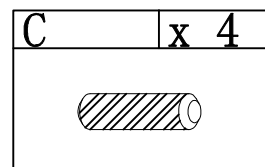
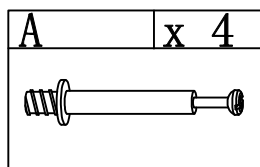
Included Accessories

Code	Description	Qty
1	Right panel	1
2	Bottom Panel	1
3	Left Side Panel	1
4	Right Side Panel	1
5	Neutral plate	1
6	Left panel	1
7	laminate	1
8	Back brace	1
9	Corrugated plate	1
10	Supporting foot	4
11	Adjustable support feet	1

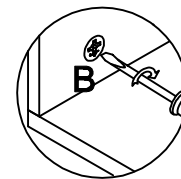
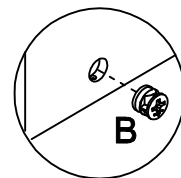
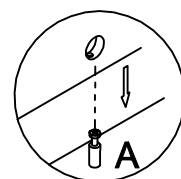
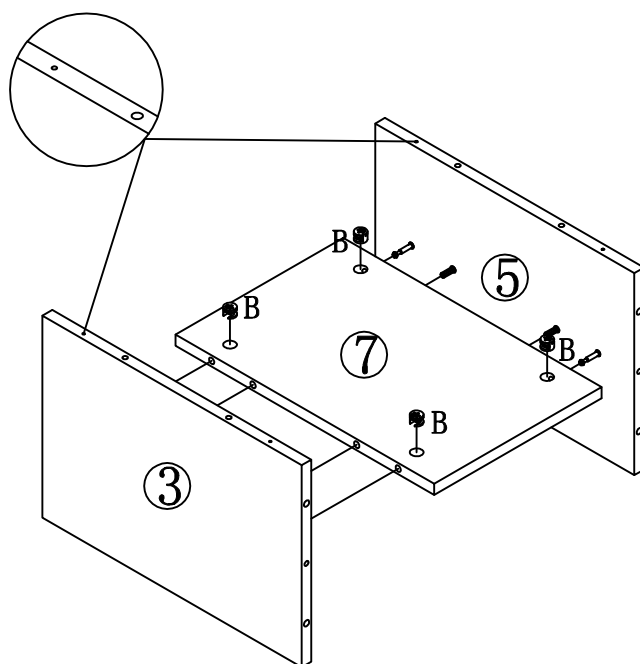
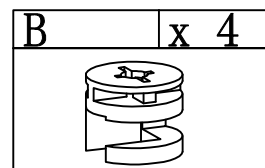
The Accessoriess



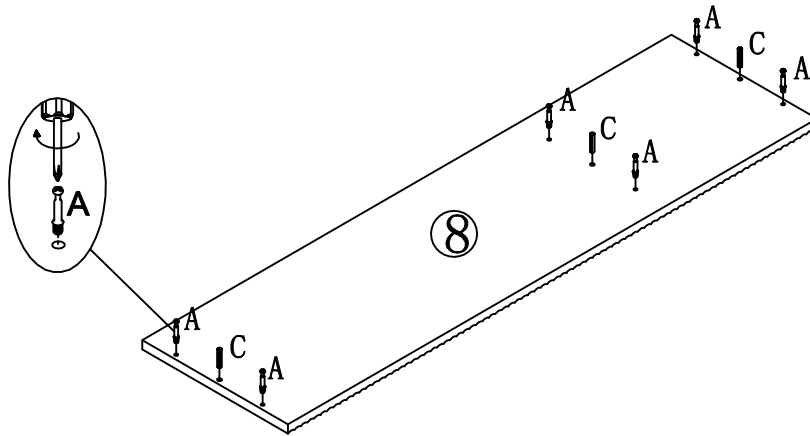
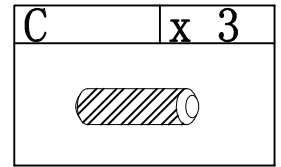
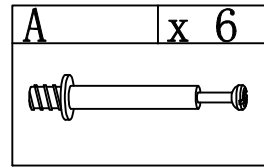
Step 1



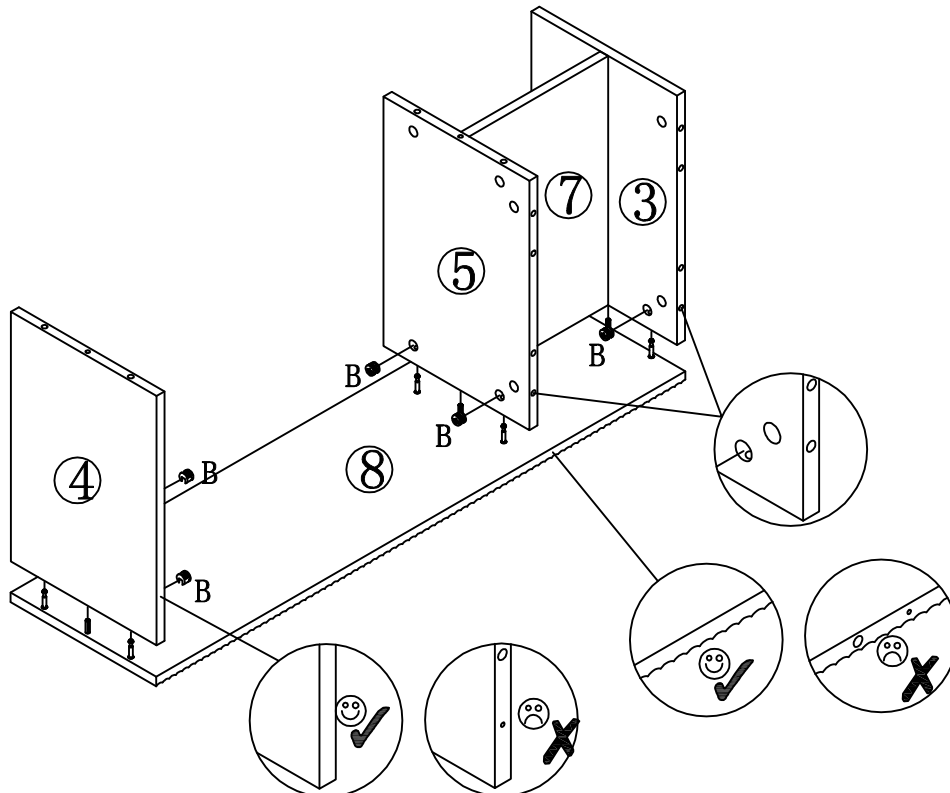
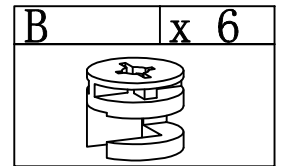
Step 2



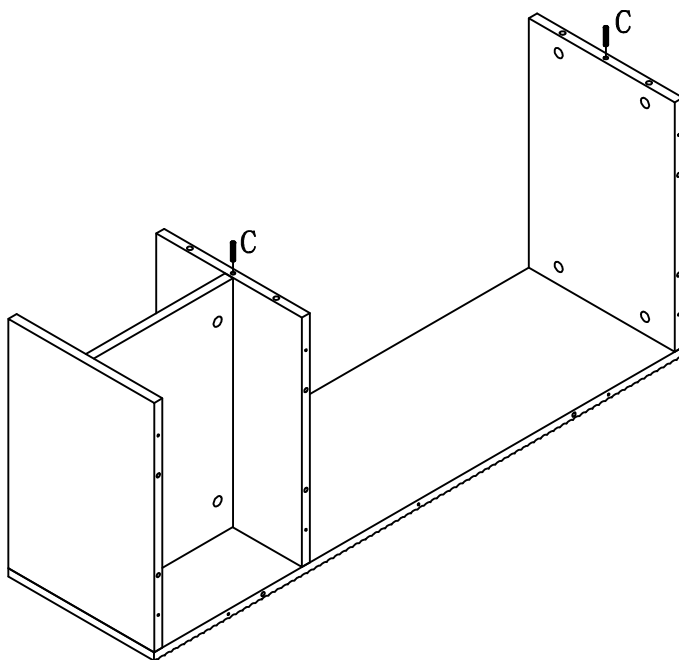
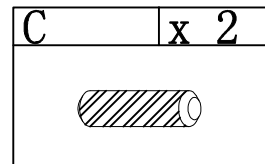
Step 3



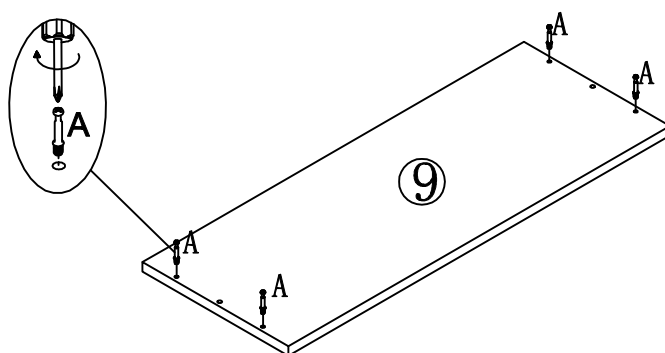
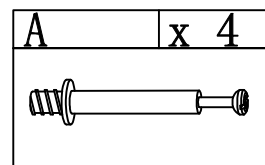
Step 4



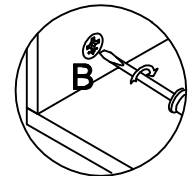
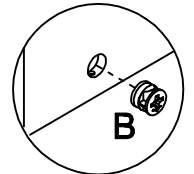
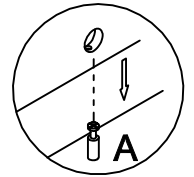
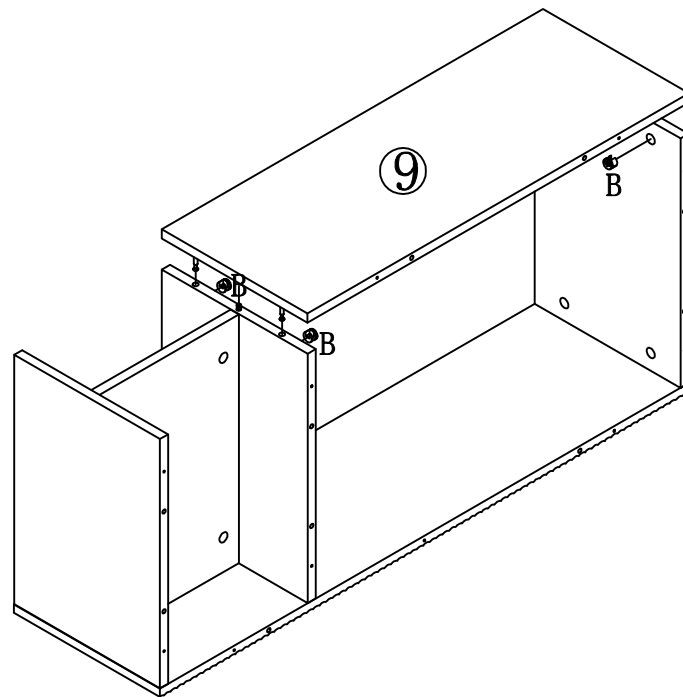
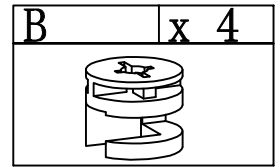
Step 5



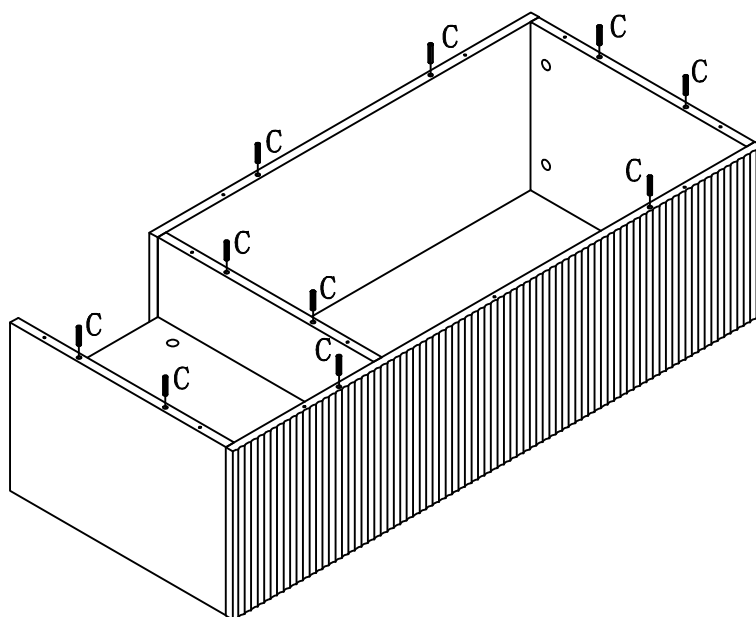
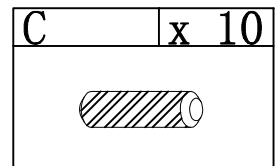
Step 6



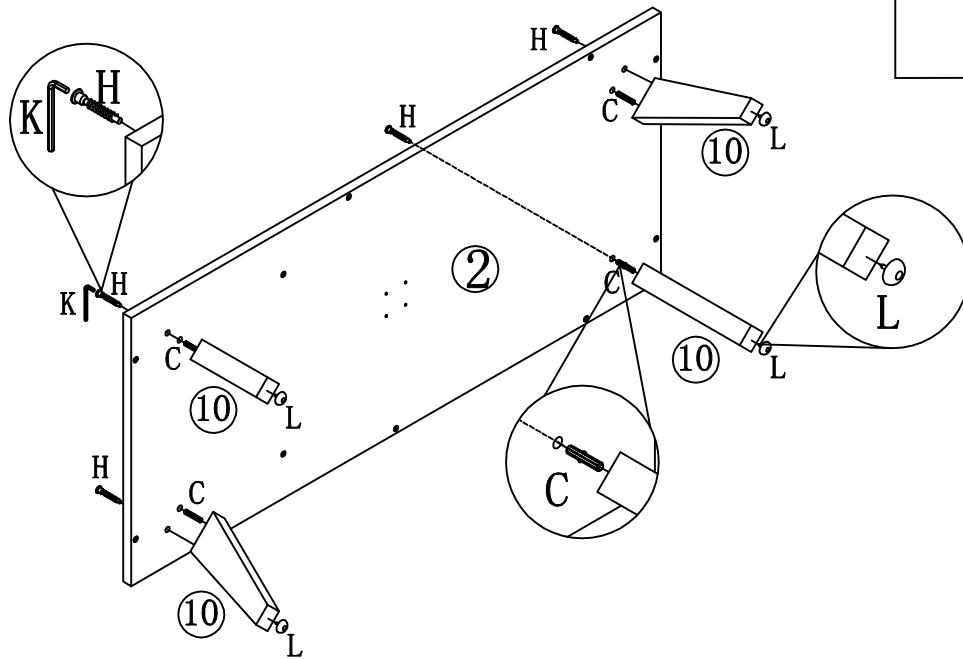
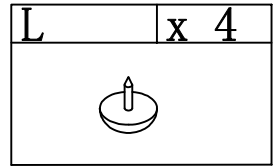
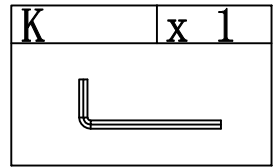
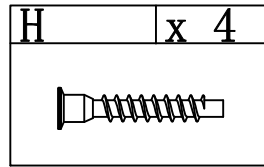
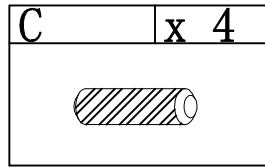
Step 7



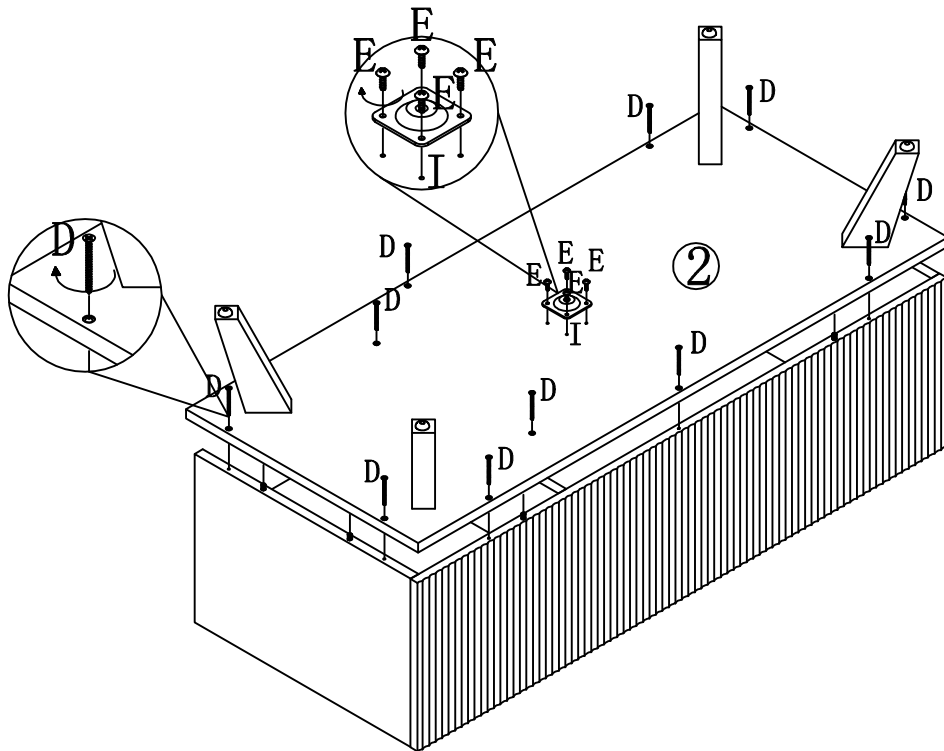
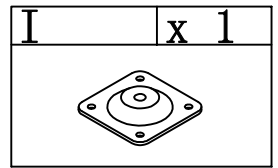
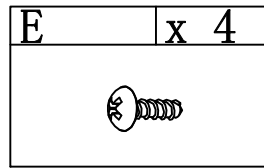
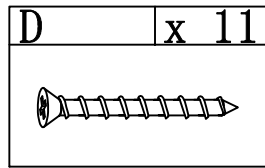
Step 8



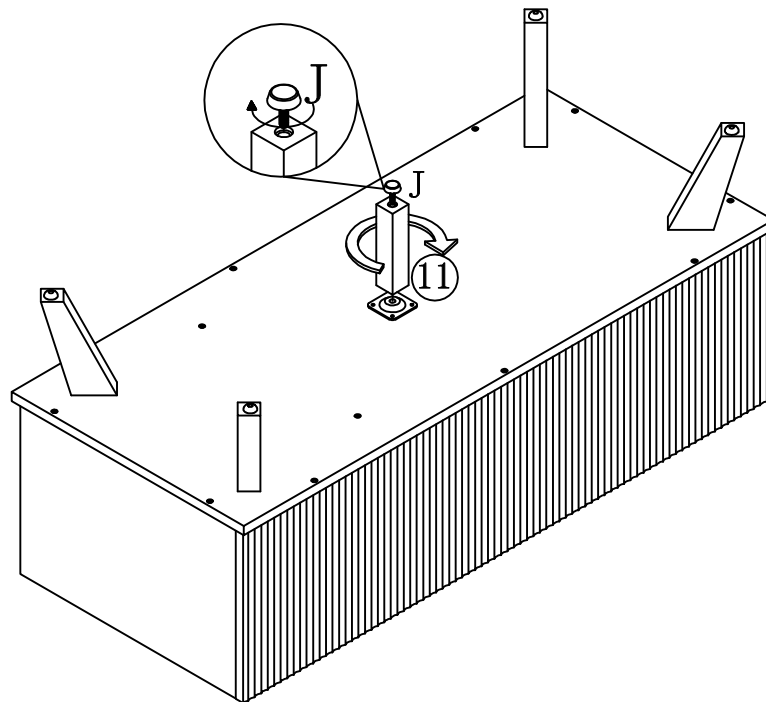
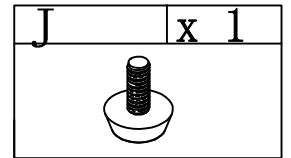
Step 9



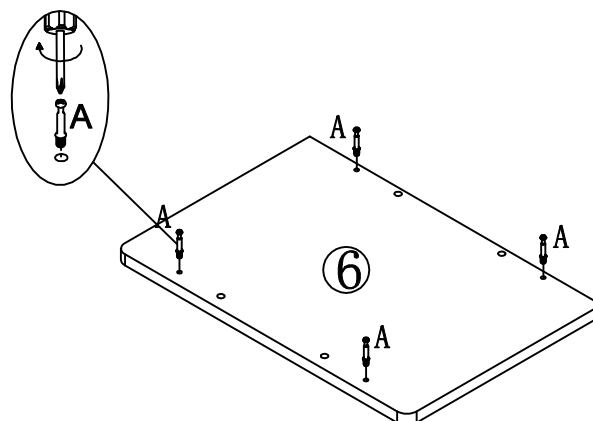
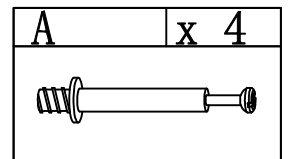
Step 10



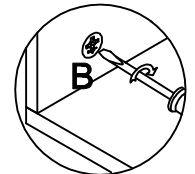
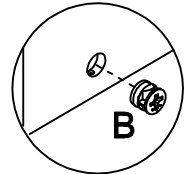
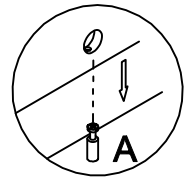
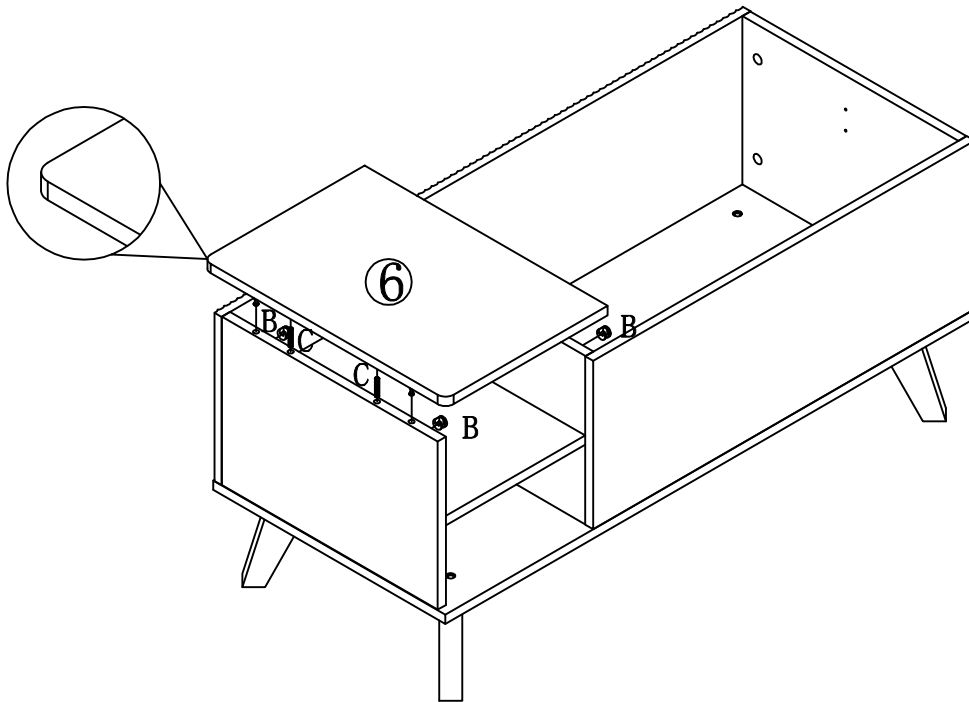
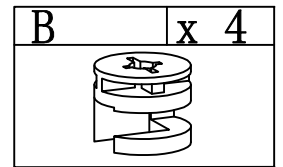
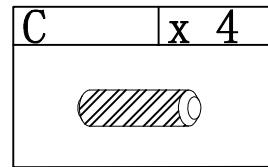
Step 11



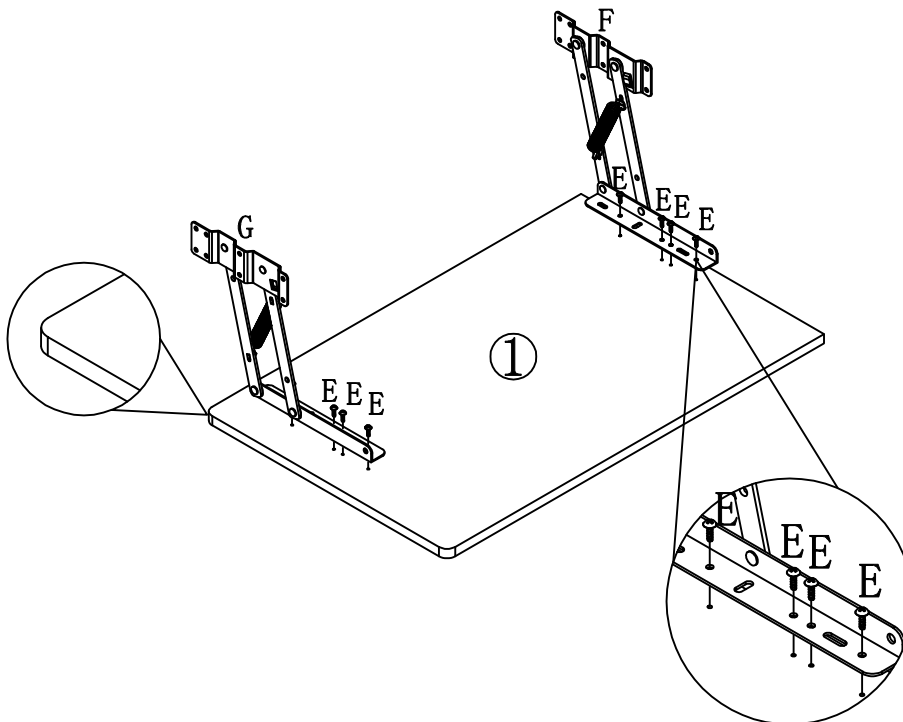
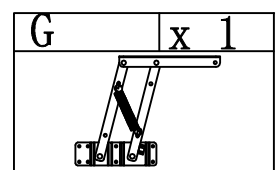
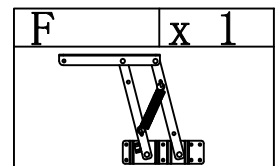
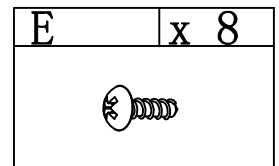
Step 12




Step 13

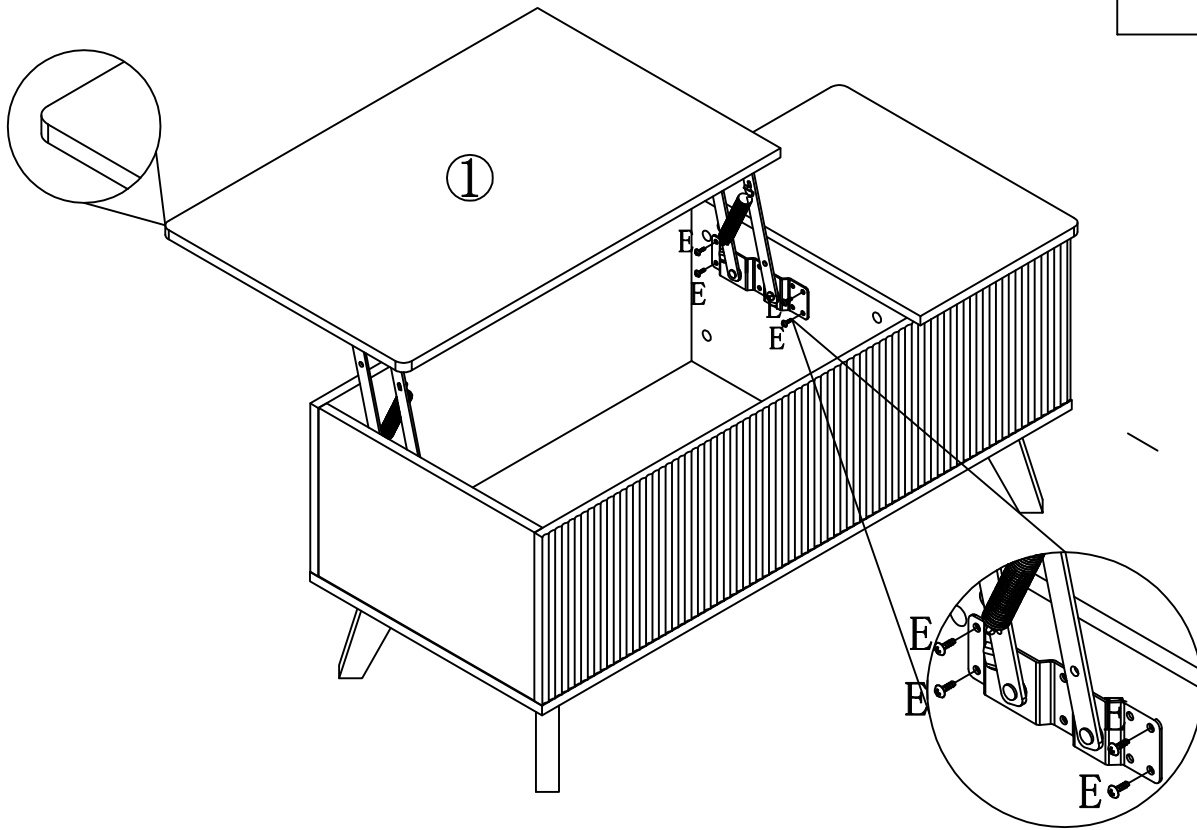


Step 14

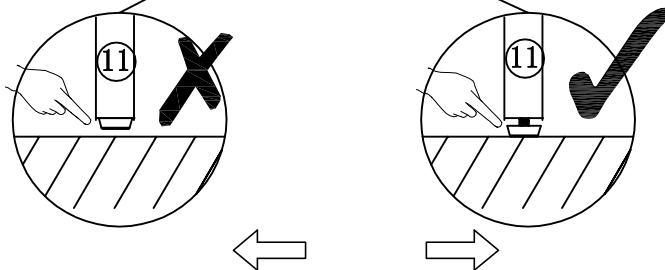
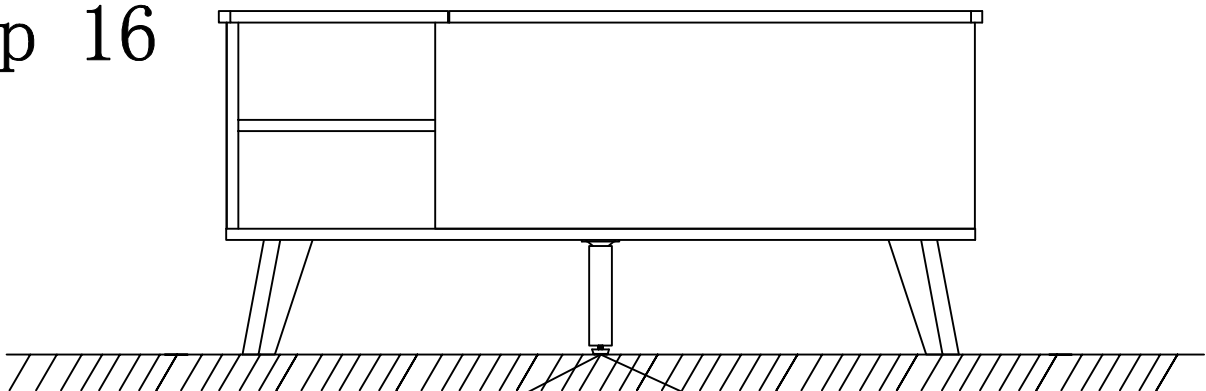


Step 15

E	x 8
	



Step 16



Two people work together to move the table.
Make sure you lift it off the ground.
Don't push and pull.