



INSTRUCTION MANUAL

NOTICE:

IMPORTANT, KEEP FOR FUTURE REFERENCE PLEASE READ CAREFULLY.

IF YOU HAVE ANY CONCERNS ABOUT THE PRODUCT, PLEASE FEEL FREE TO CONTACT US BEFORE YOU LEAVE A REVIEW.

CAUTION:

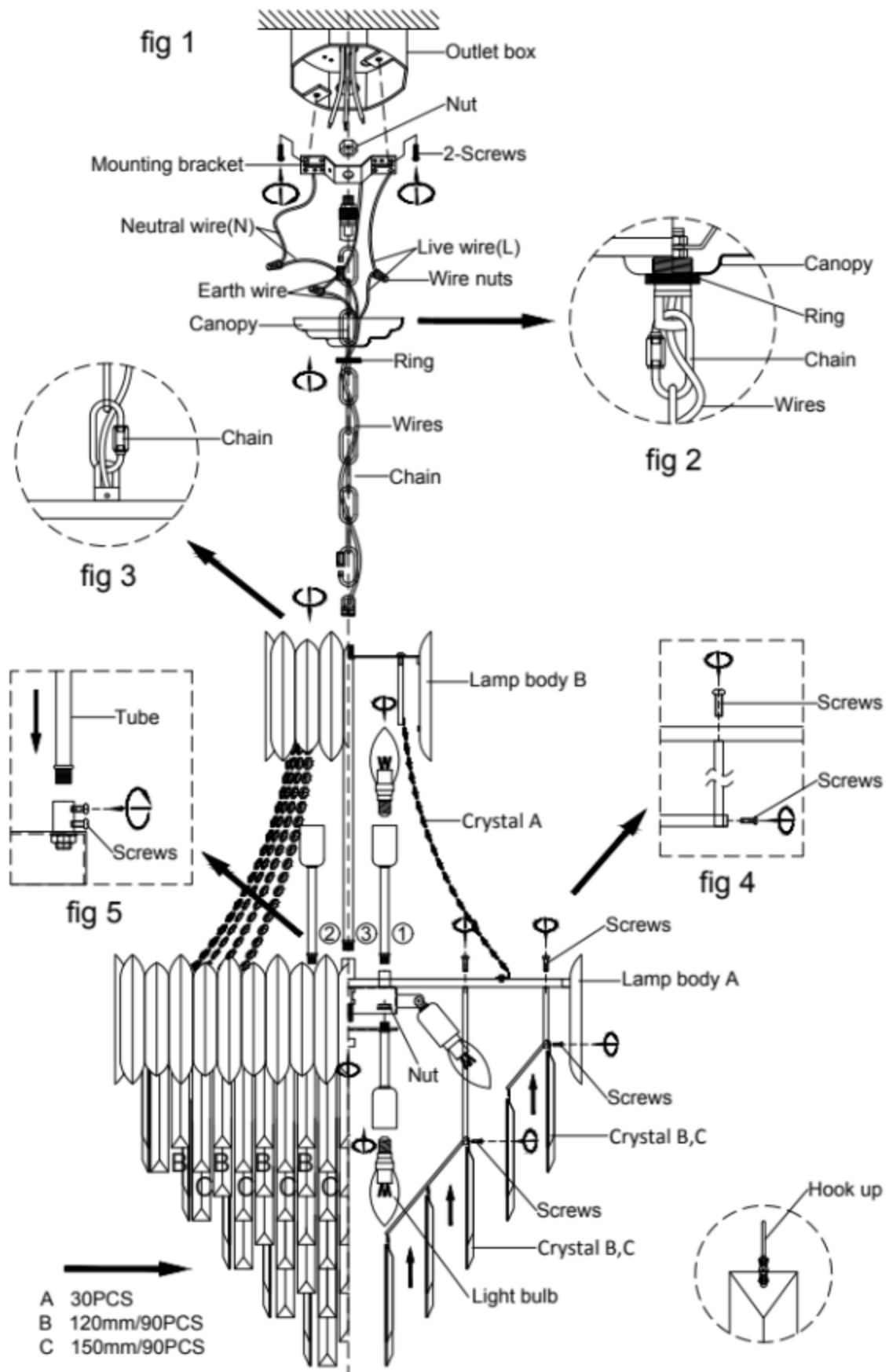
1. The installation requests a professional electrician to operate. Please make sure the installation environment ventilating and dry.
2. Wearing gloves during installation to prevent yourself from scratching by the fixtures or electric wire. Be sure the power has been turned off before operation.
3. Make sure the fixture is away from corrosive chemicals and air such as acid and alkali. Clean the fixture by wiping it with a dry rag.
4. Do not touch the bulb when the fixture is turned on or look directly at the lit bulb. Keep flammable materials away from the lit bulb.
5. To reduce the risk of fire, electrical shock, and personal injury, always turn off and unplug the fixture and allow it to cool before replacing the light bulb.
6. US standard: Live wire (L) is **black**, neutral wire (N) is **white**, and the ground wire is **yellow**.

STEP-BY-STEP INSTALLATION (refer to fig. 1)

1. Carefully unpack your new fixture and lay out all the parts in a clear area, Be careful not to lose any small parts necessary for installation.
2. Fix the light socket to the central with nuts, and put on the cover, secure it with decorative nut.
3. Twist the light sockets①, ② to the lamp holder, and fix it with two screws. (refer to fig 5)
4. Run the electric wire through the threaded stem③, and twist the threaded stem③ to the lamp holder as well, fix it with screws. (refer to fig 5)
5. Fix the hanging ring on the (B) part lamp body.
6. Install the chains to the lamp body, and the canopy. (refer to fig 2.3)
7. To finish the structure of the lamp body, it need to fix the metal tube on the metal ring with screws. (refer to fig 4)
8. Remove the mounting screw from the light fixture.
9. Secure mounting bracket to the junction box using junction box screw (2 screws) .
10. Connect the wire (N) from the light fixture to the **white** supply wire (N) from the junction box using a wire connector.
Connect the wire (L) from the light fixture to the **black** supply wire (L) from the junction box using a wire connector.
11. After wires are connected, tuck them carefully inside the junction box.
12. Mount the canopy onto the bracket and secure it with the ring.
13. Add the **E12** bulbs, and turn on the power, check whether the light fixture works normally or not.
14. Ensure the light fixture work normally, then install the crystal. Bottom there are two sizes of the crystals: B/C, we suggest hanging them by using butterfly clips, in the order of BC BC BC to achieve the best visual effect.

HEIGHT ADJUSTMENT(refer to fig. 2.3)

NOTE: It is recommended to make any major adjustments to the height of the light fixture before installation. Loose the chain lock, and then adjust your desired length, tighten the chain lock on the lamp body and the canopy.



Package List:

| | | |
|---------------------------|---|------|
| Lamp body A | 1 | PCS |
| Lamp body B | 1 | PCS |
| Crystal A | 2 | BAGS |
| Crystal B | 5 | BAGS |
| Crystal C | 5 | BAGS |
| Chain | 1 | PCS |
| Tube | 1 | PCS |
| Φ 500mm Metal ring | 1 | PCS |
| Φ 300mm Metal ring | 1 | PCS |
| 75mm Metal tube | 4 | PCS |
| 195mm Metal tube | 4 | PCS |
| Butterfly clips | 1 | BAGS |
| Mounting bracket | 1 | PCS |
| Canopy | 1 | PCS |
| Accessories Bag | 1 | BAG |
| Installation Instructions | 1 | PCS |

※The package include extra crystal pieces. The Number of Spare Crystals :

| | | |
|------------------|----|-----|
| 14mm Crystal | 10 | PCS |
| 22*120mm Crystal | 10 | PCS |
| 22*150mm Crystal | 10 | PCS |

This product compatible with E12 bulbs (Not included in the package).

