

Bed Frame

Assembly Guide

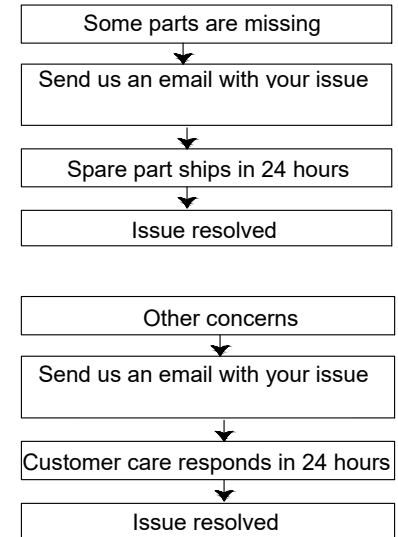
Tip!

DO check for all the components and screws listed in this guide before putting things together. If any part is missing, contact us for the missing part.

Return Policy

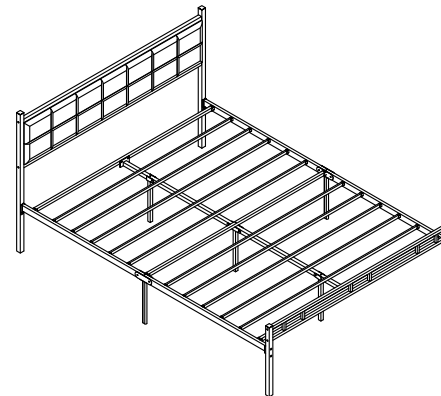
Your satisfaction is our top priority. If our product fails to satisfy you, please let us know how we can make things right for you. Our trained customer care team can handle most concerns and assist you with any questions you may have. Simply shoot them a message with your order number and question. To be eligible for a full-refund return, the item must be in pristine condition, in the original packaging, with all of the shipped components intact and not yet assembled, and with the item's unique proof of purchase.

Trouble shooting:



We run our own manufacturer, so rest assured about the quality consistency.

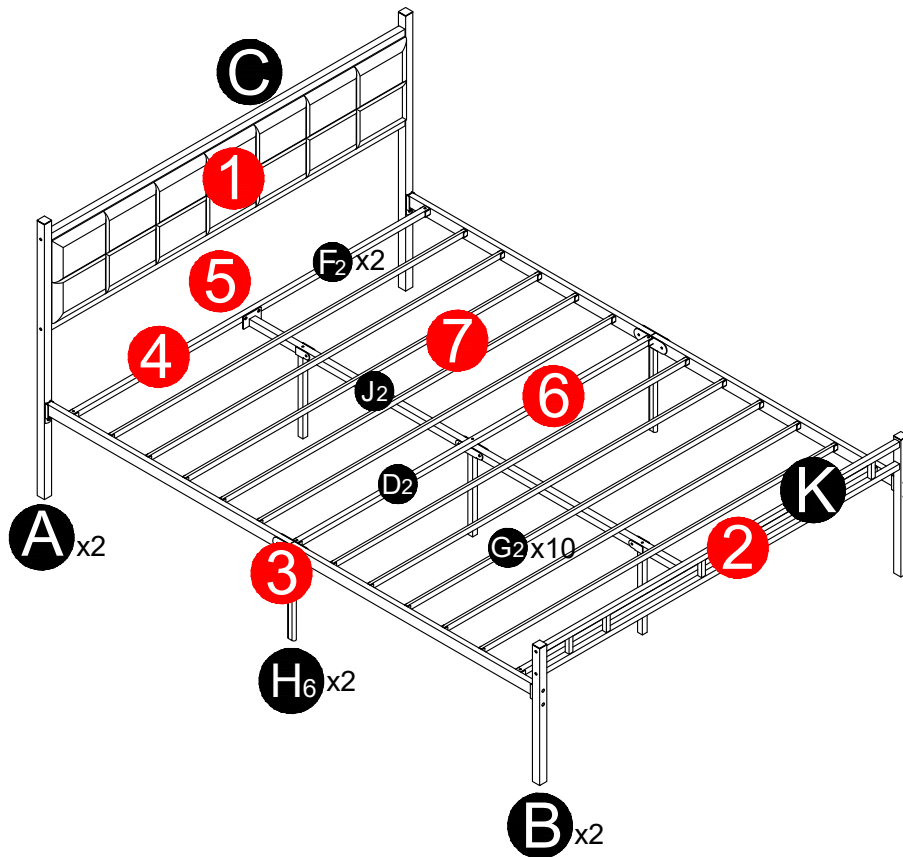
CAUTION!



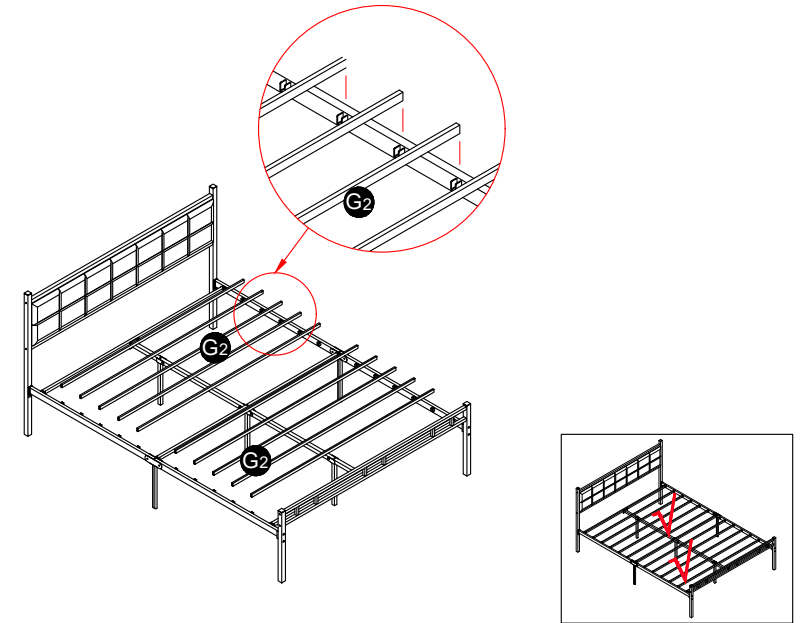
Item Description: Bed Frame

#Number System

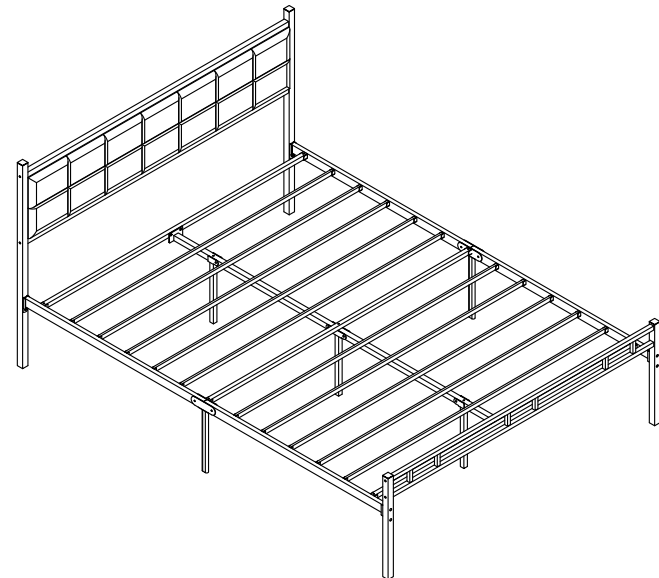
Follow the marked steps for the easiest assembling process
step 1 step 2 step 3 step 4...



Step 7 Assemble bed slats

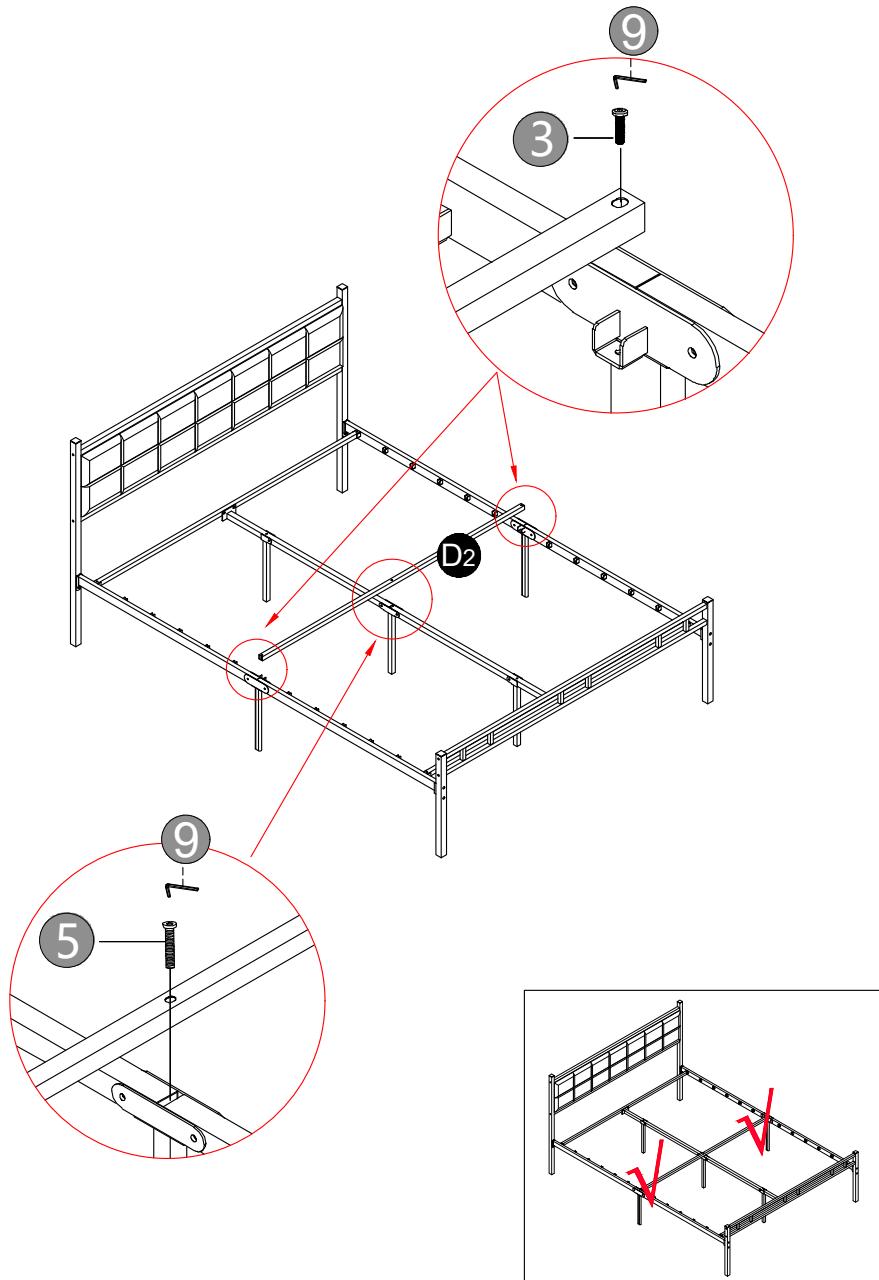


Step 8 Check and tighten all screws




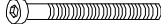


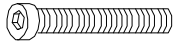


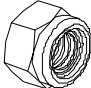
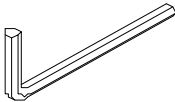
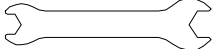
Step 6 Connect D2 to J2 & H6

- 3 x2
- 5 x1



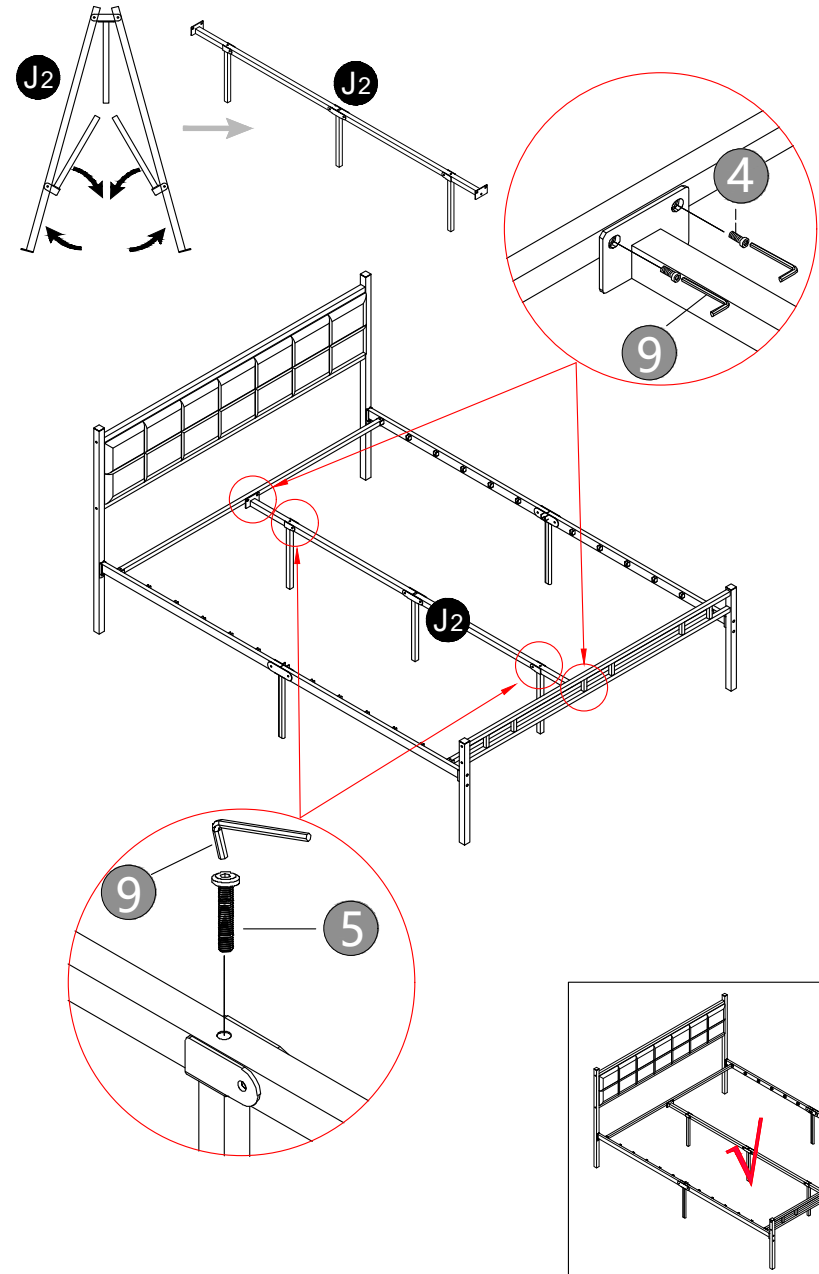
Components

A		2pcs	B		2pcs
C		1pc	D2		1pc
F2		2pcs	G2		10pcs
H6		2pcs	J2		1pc
K		1pc			

1	 M8x45mm	8pcs	2	 M6x50mm	8pcs
3	 M6x30mm	6pcs	4	 M6x15mm	4pcs
5	 M6x55mm	3pcs	6	 Ø6	8pcs
7	 Ø8	8pcs	8	 M8	4pcs
9		1pc	10		1pc

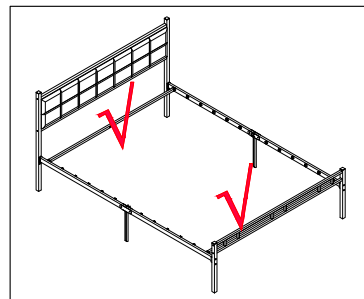
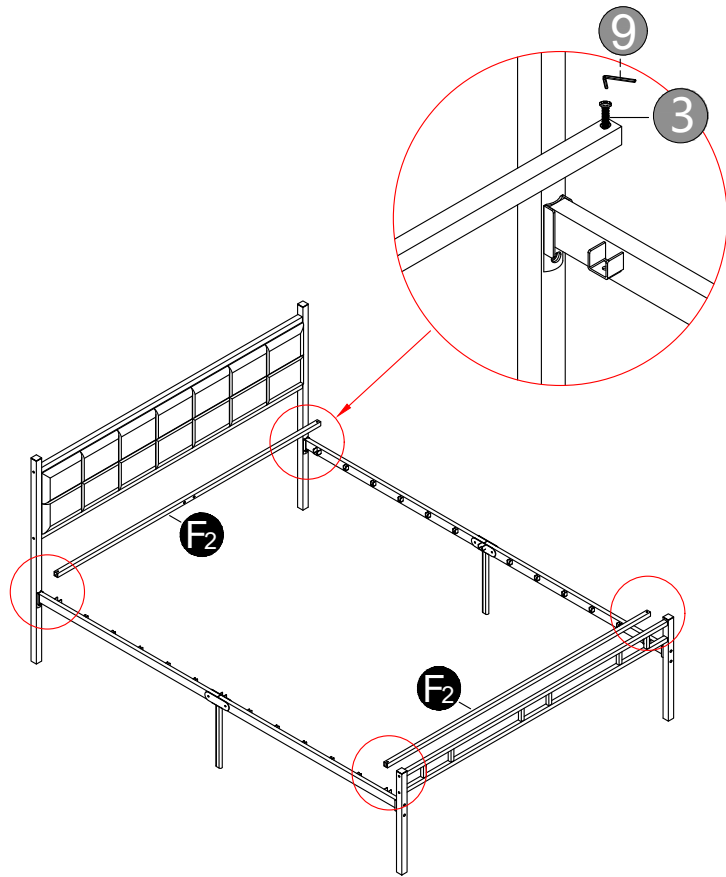
Step 5 Connect **J2** to **F2**

4 x4
5 x2



Step 4 Connect F₂ to H₆

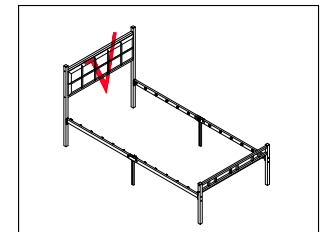
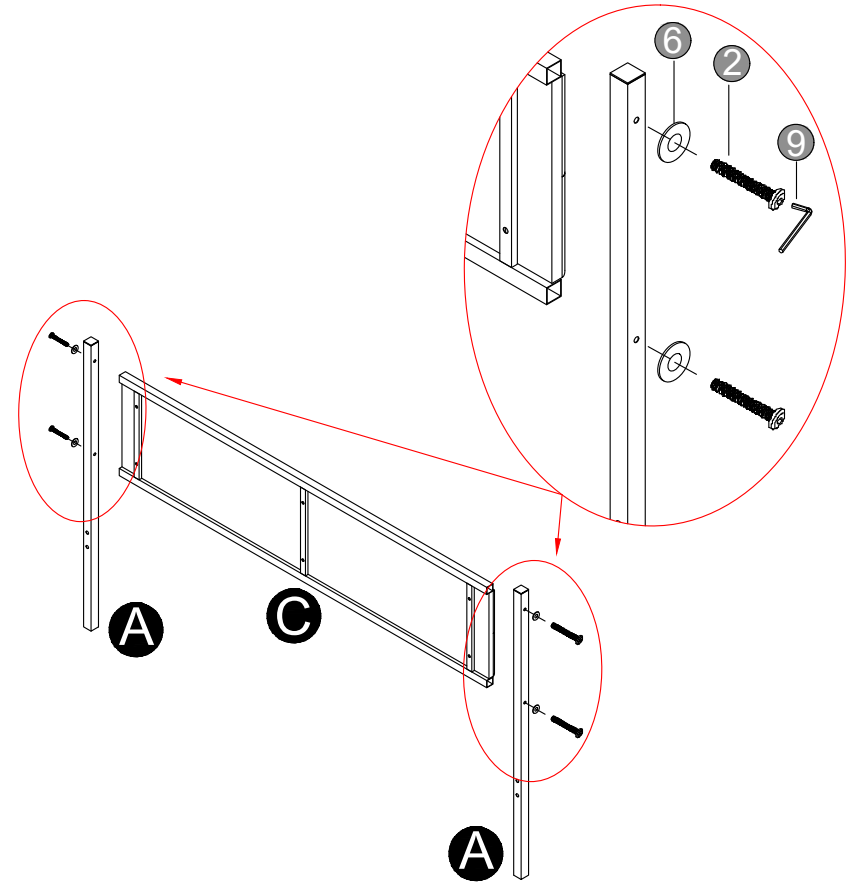
3x4



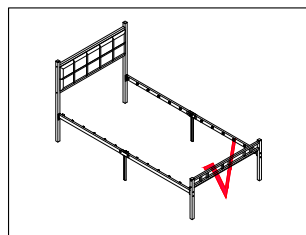
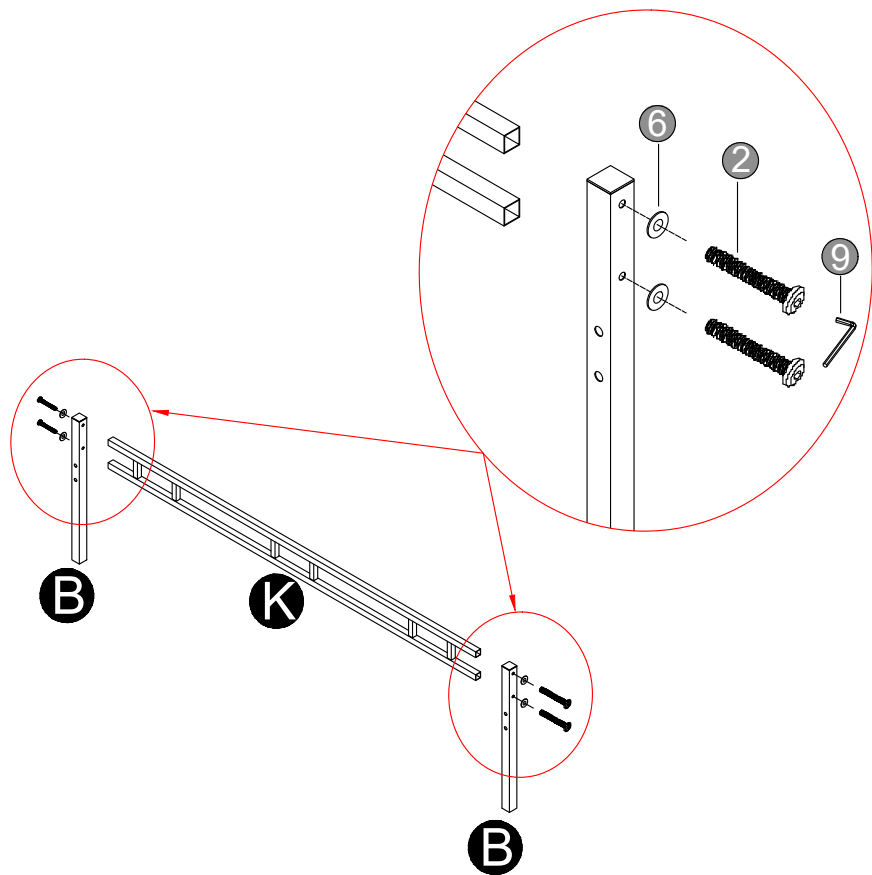
Step 1 Headboard assembly

2x4

6x4



Step 2 Footboard assembly



Step 3 Connect H₆ to headboard and footboard

