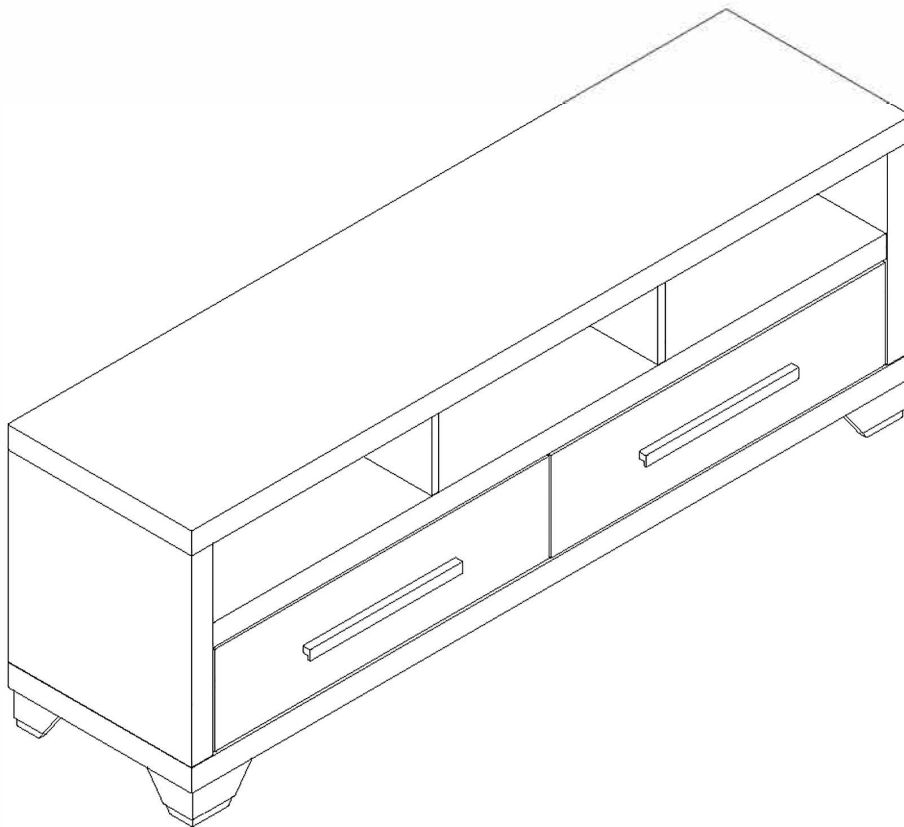


ASSEMBLY INSTRUCTION

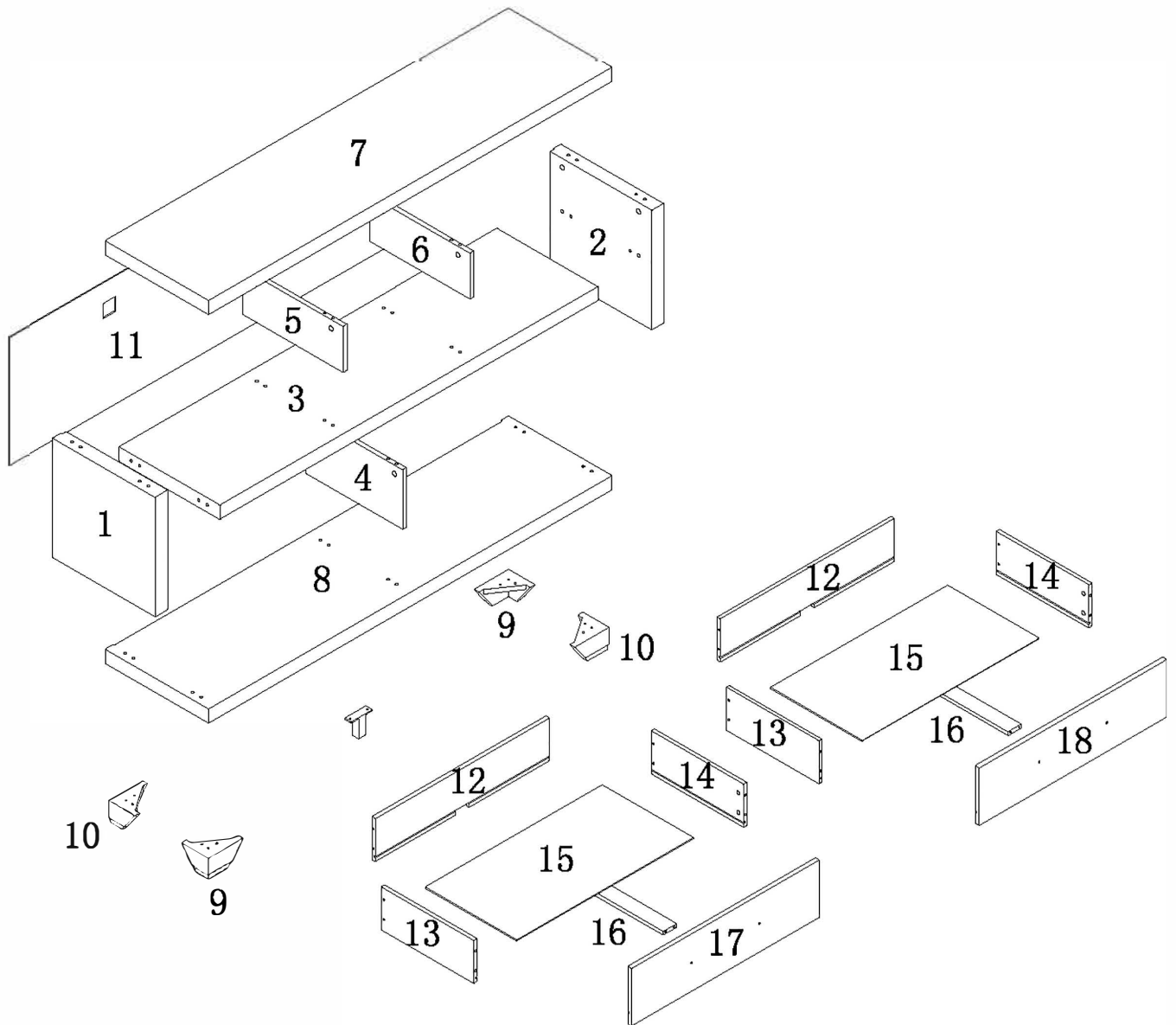
PLEASE READ BEFORE ASSEMBLING!

Tip #1: Make sure you've taken all the pieces and hardware out of its packaging before discarding the box. Assembly on top of flattened box/blanket is recommended.

Tip #2: Using page 2 and/or page 3 of instruction manual make sure all pieces and hardware are accounted for.





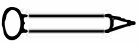





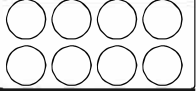



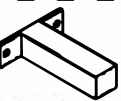



PARTS IDENTIFICATION



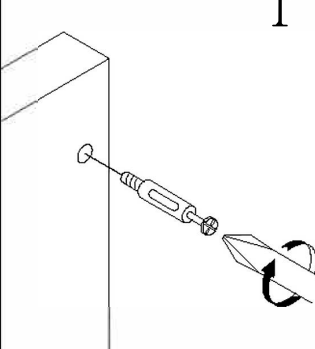
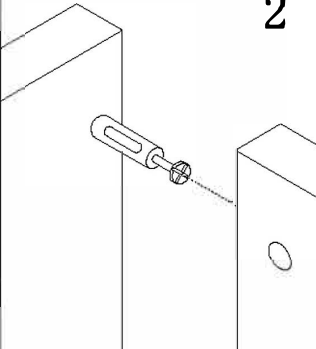
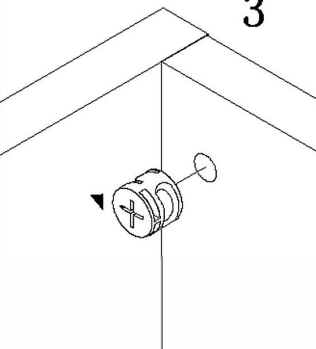
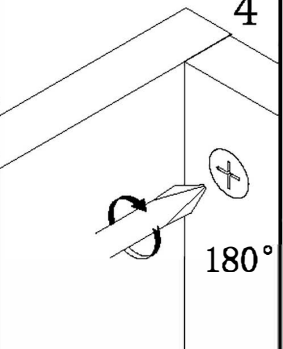


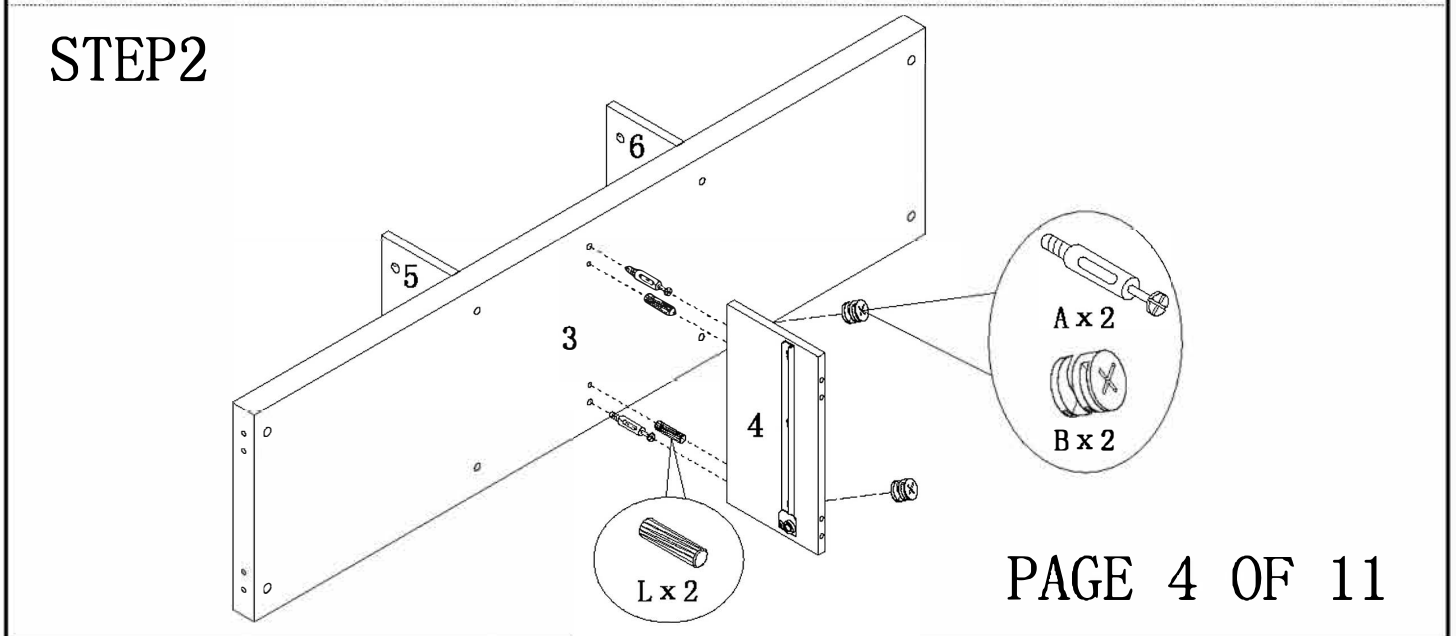
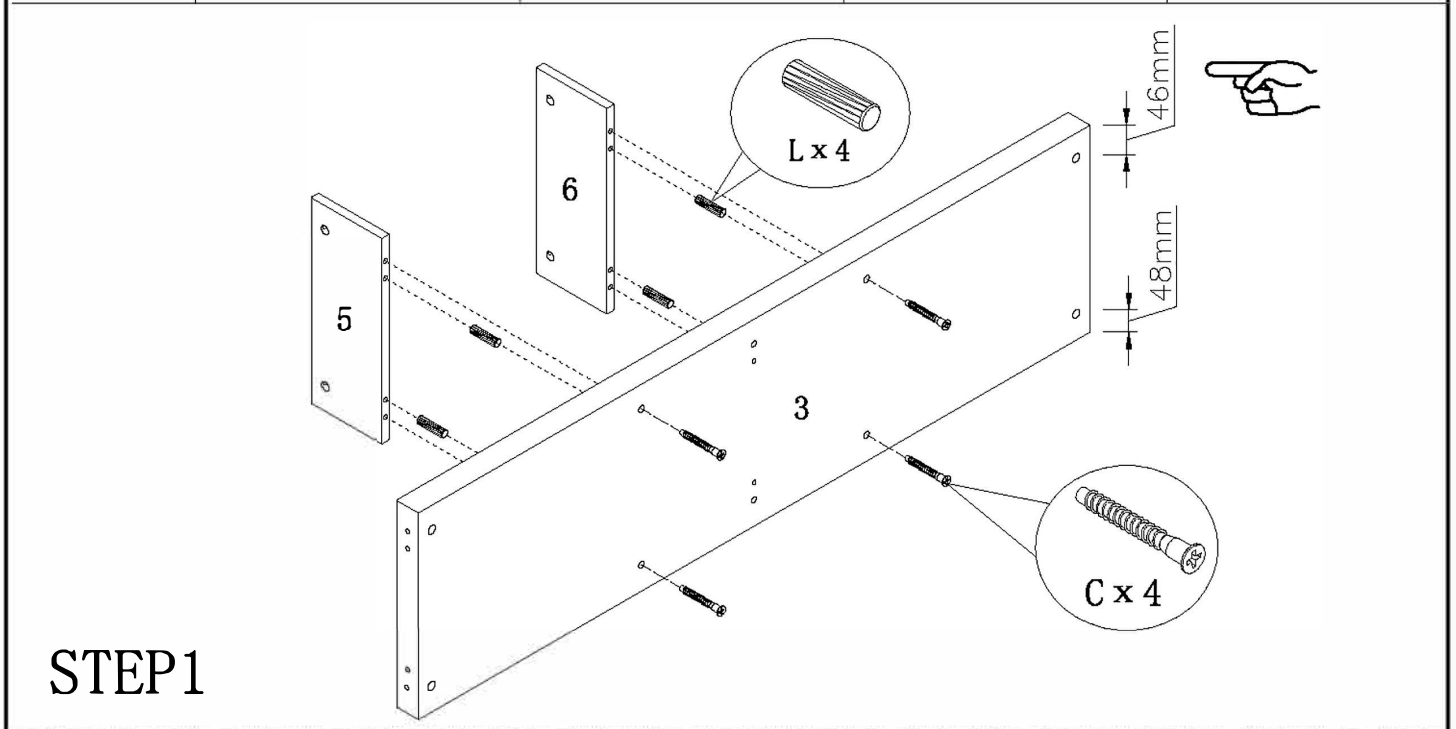
(1)	1pc	(10)	2pcs
(2)	1pc	(11)	1pc
(3)	1pc	(12)	2pcs
(4)	1pc	(13)	2pcs
(5)	1pc	(14)	2pcs
(6)	1pc	(15)	2pcs
(7)	1pc	(16)	2pcs
(8)	1pc	(17)	1pc
(9)	2pcs	(18)	1pc

HARDWARE IDENTIFICATION

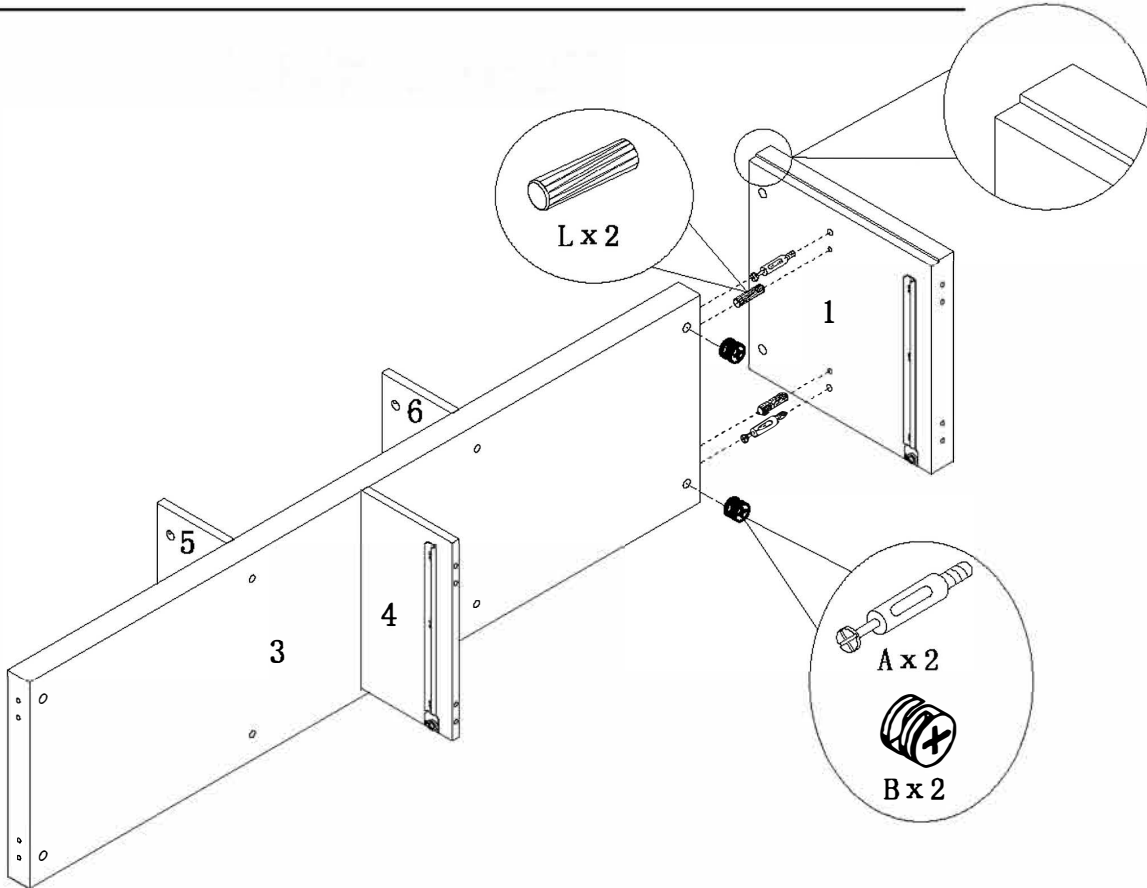
A		L29mm	14pcs
B		□15mm	14pcs
C		□7 x 58mm	10pcs
D		□4 x 35mm	12pcs
E		Z1016	38pcs
F		□4 x 30mm	12pcs
G		L20mm	8pcs
H		□12mm	8pcs
I		256mm	2pcs
J		□4 x 20mm	4pcs
K		□18mm	8pcs
L		□8 x 25mm	24pcs
M		□6 x 30mm	4pcs
N		□4 x 16mm	2pcs
O		80 x 25 x 68mm	1pc
P		Glue: For securing please apply to wood dowel first before inserting into panel	1pc

ASSEMBLY INSTRUCTION

HOW TO	1	2	3	4
 Cam Bolt  Cam Lock				
	1. Screw Cam Bolt into panel.	2. Insert Cam Bolt into bolt hole of joining panel.	3. Insert Cam Lock. arrow facing bolt.	4. Gently turn Cam Lock clockwise to lock position.

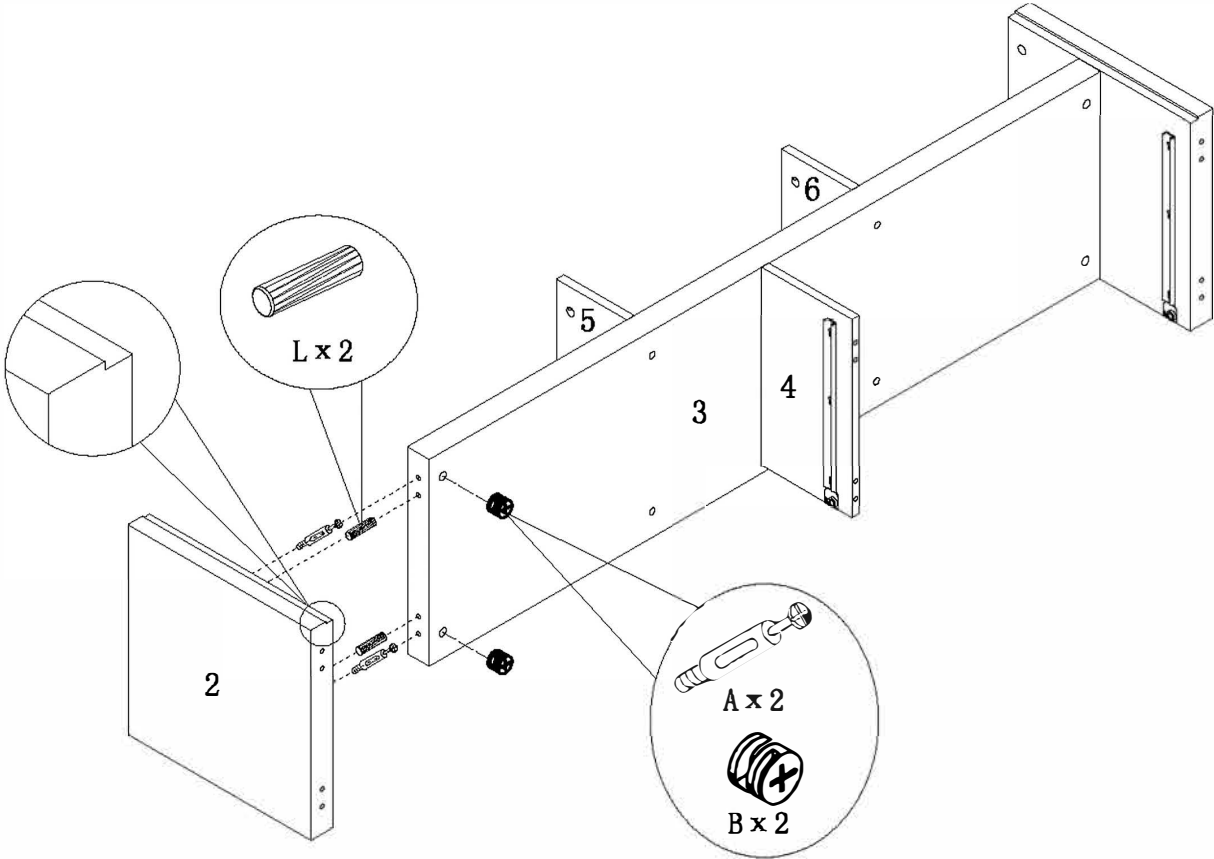


ASSEMBLY INSTRUCTION



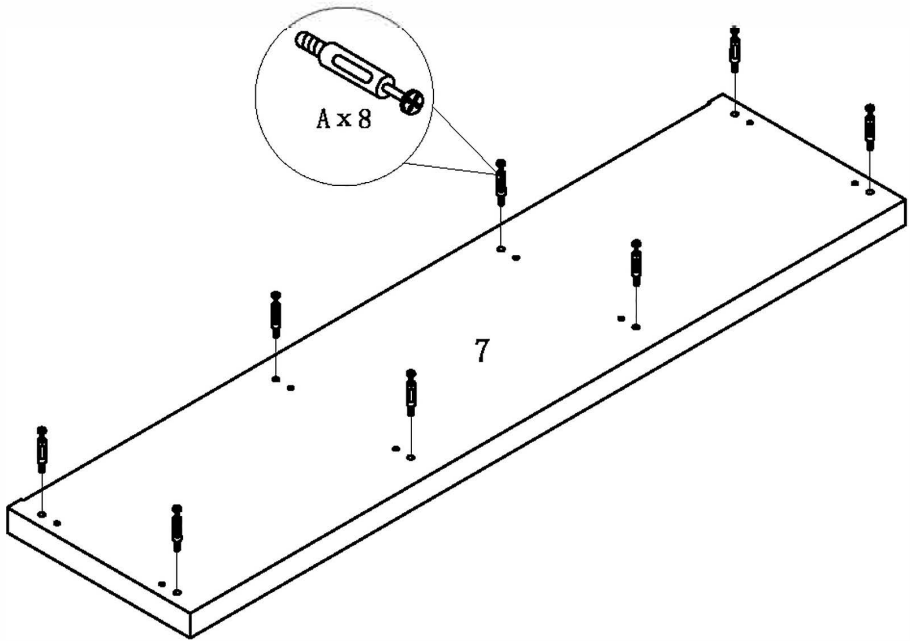
STEP3

STEP4



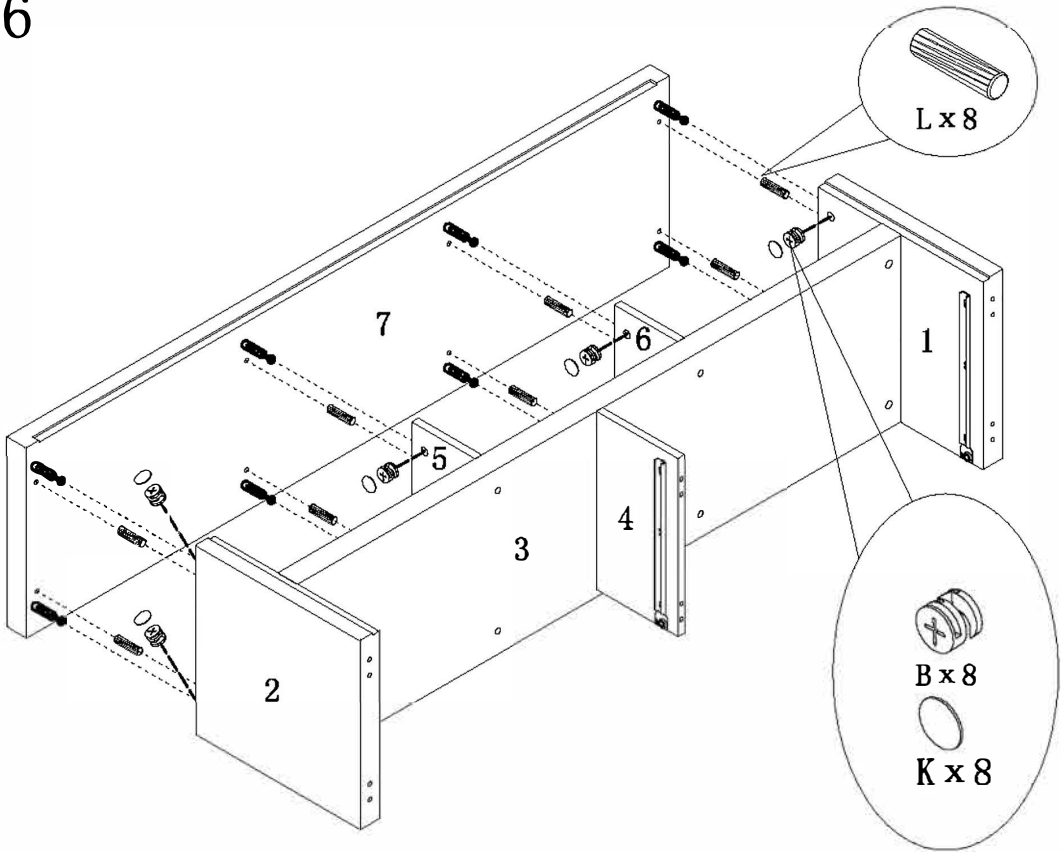
STEP3

ASSEMBLY INSTRUCTION

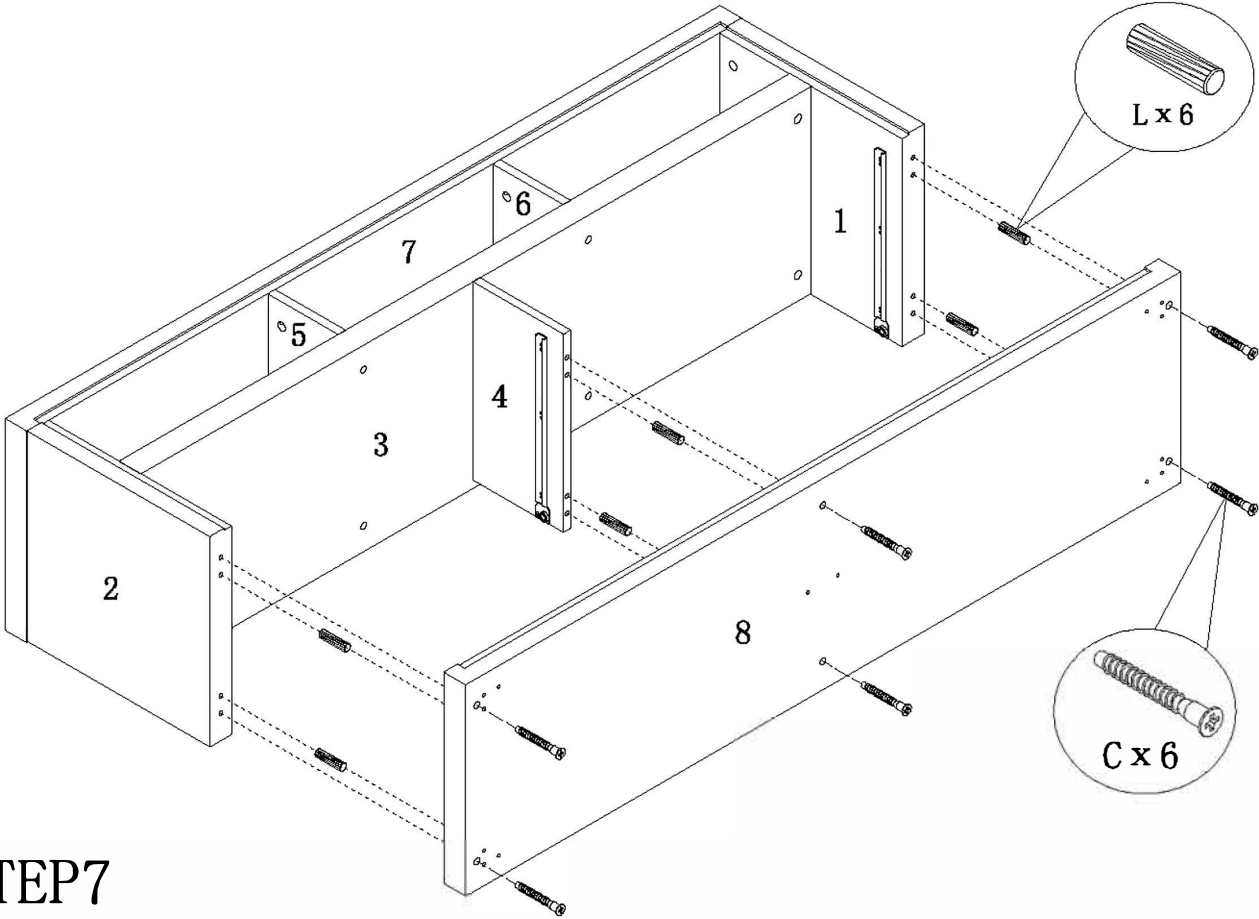


STEP5

STEP6

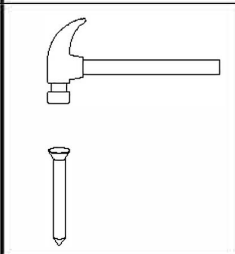
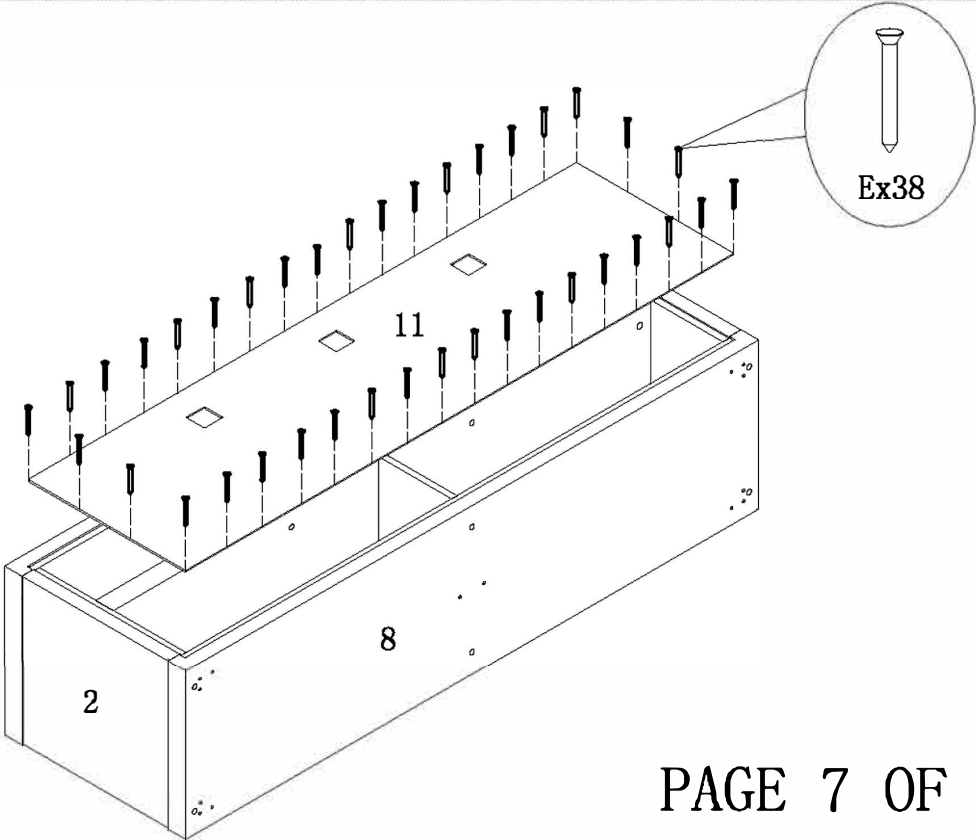


ASSEMBLY INSTRUCTION

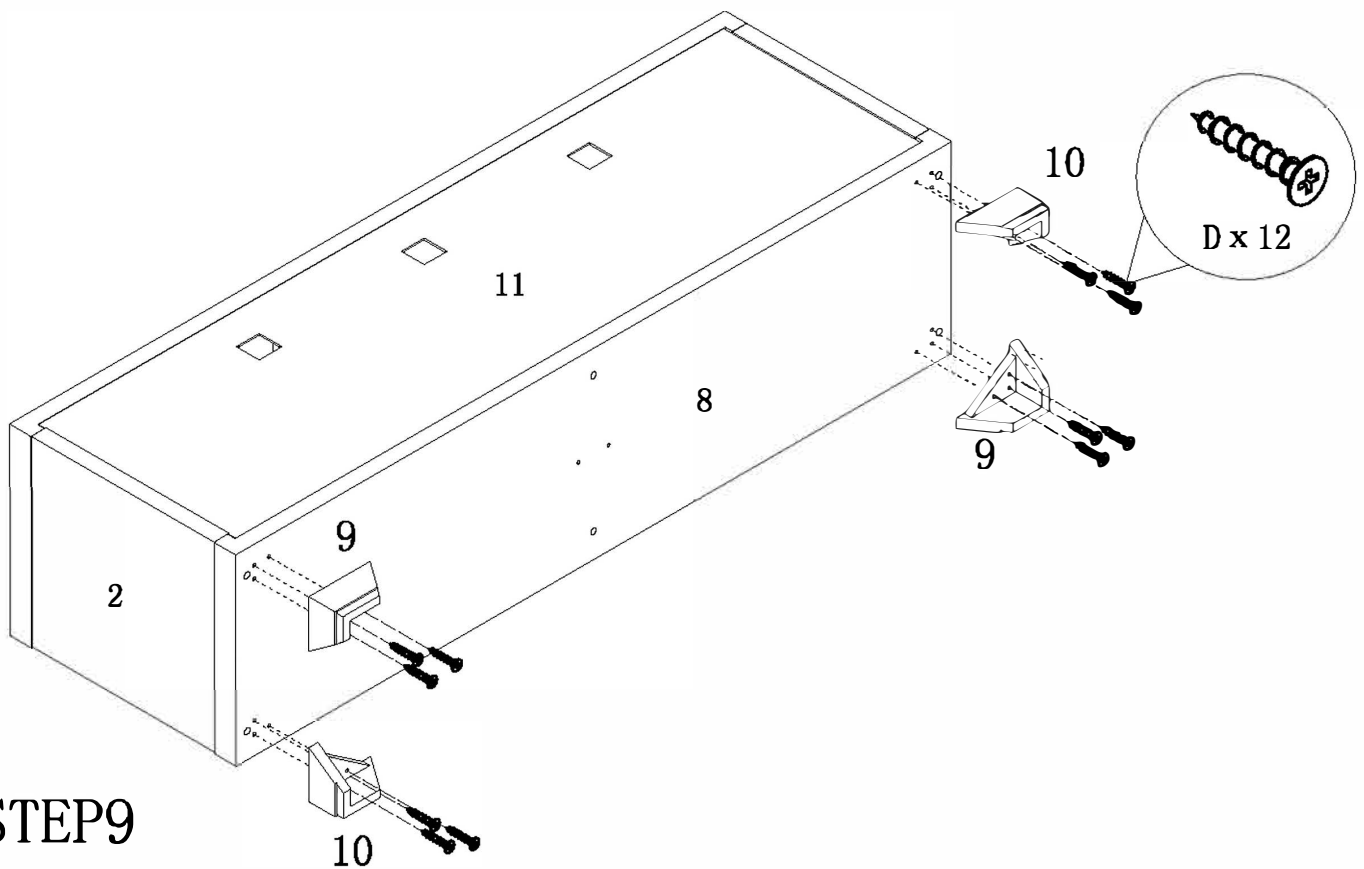


STEP 7

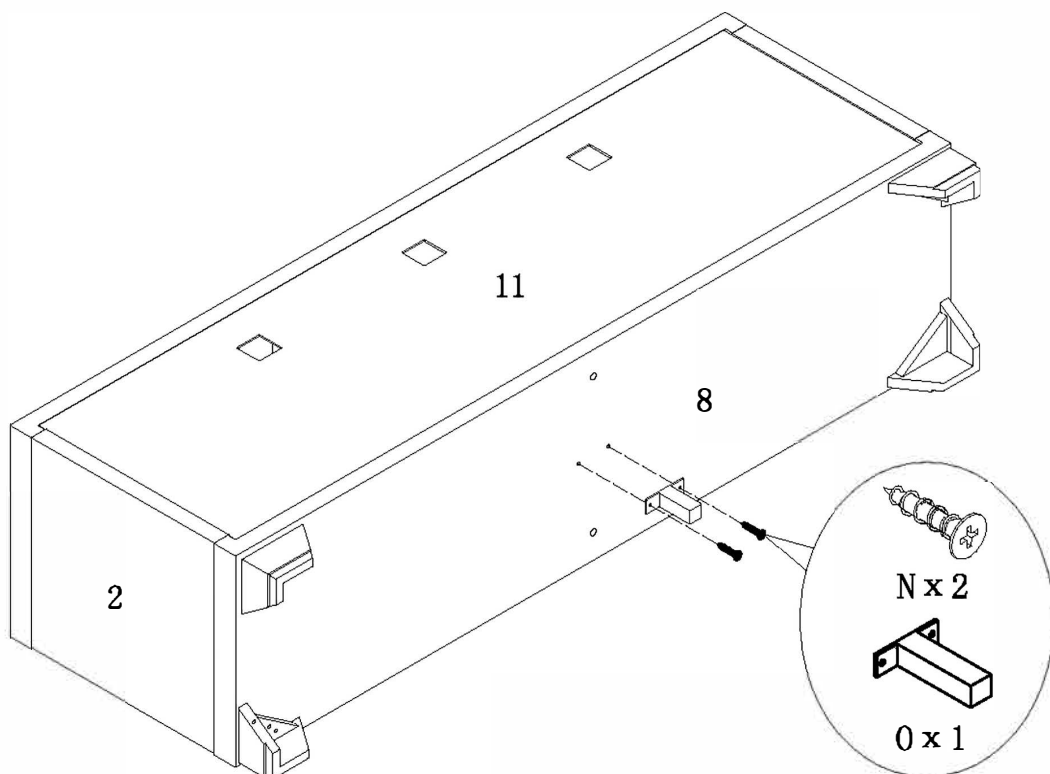
STEP 8



ASSEMBLY INSTRUCTION

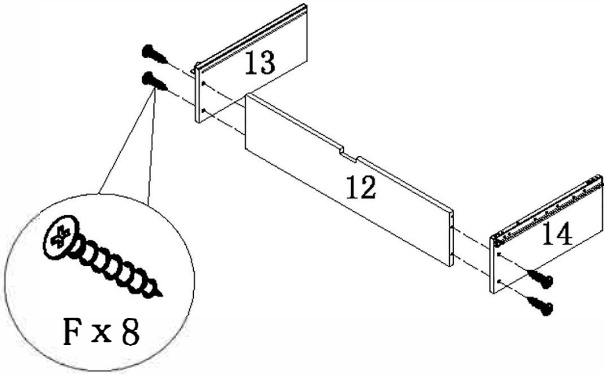


STEP 10



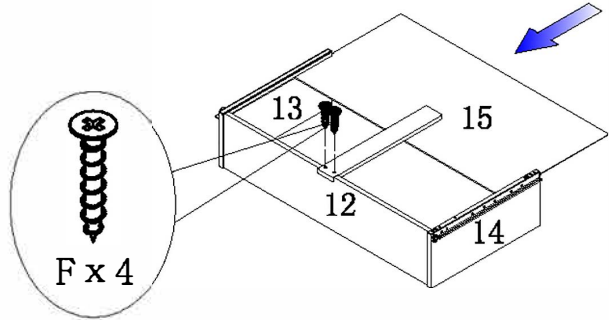
ASSEMBLY INSTRUCTION

x2



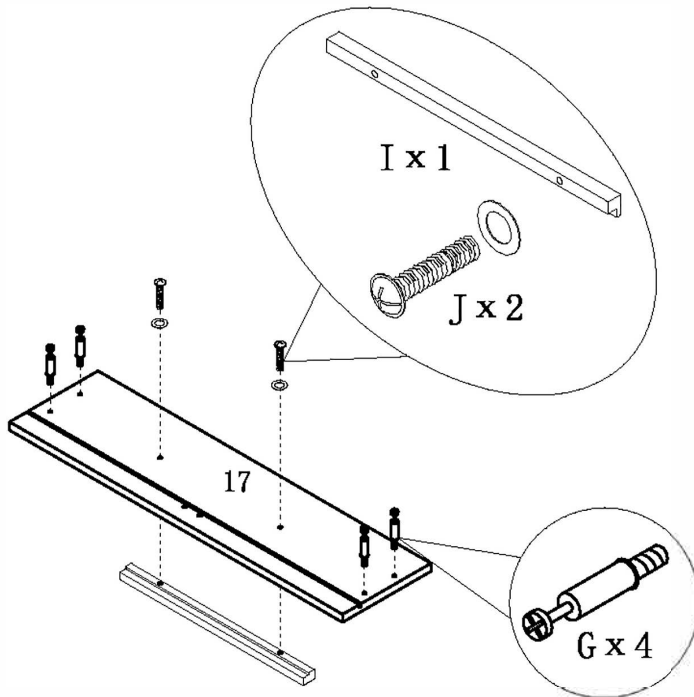
STEP11

x2

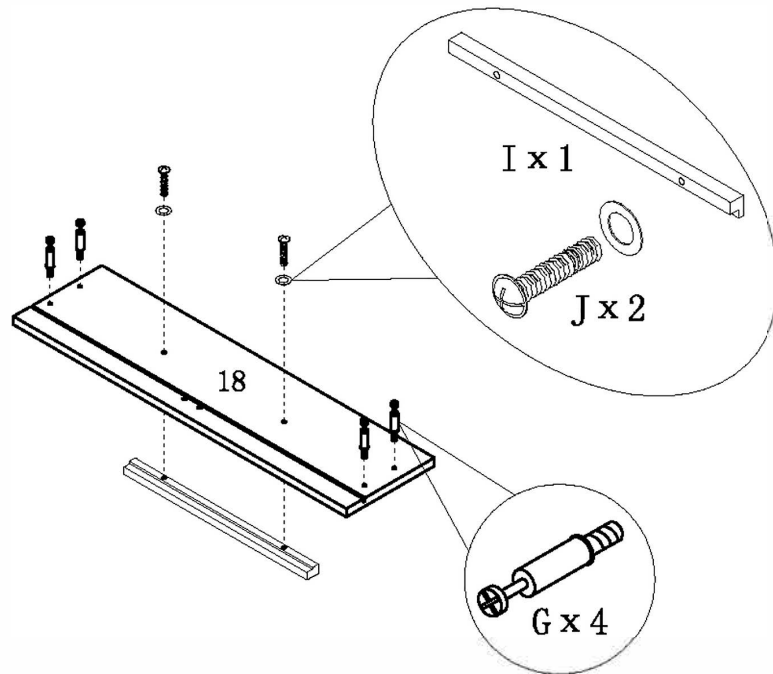


STEP12

STEP13

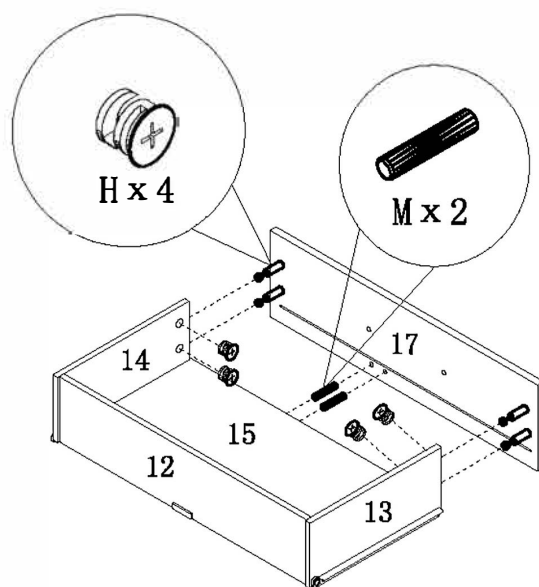


ASSEMBLY INSTRUCTION

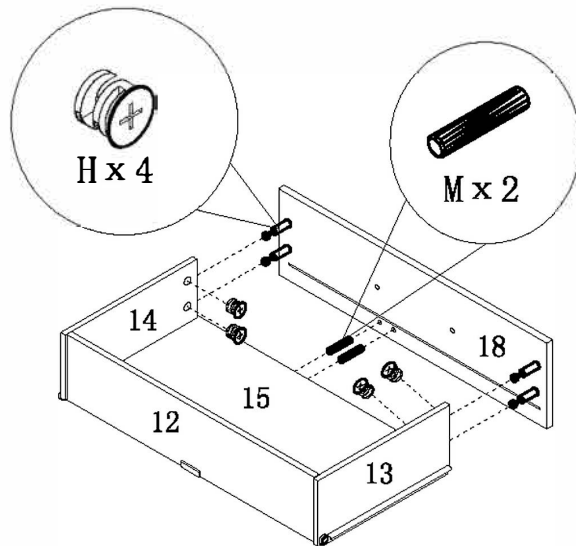


STEP14

STEP15



ASSEMBLY INSTRUCTION



STEP 16

STEP 17

