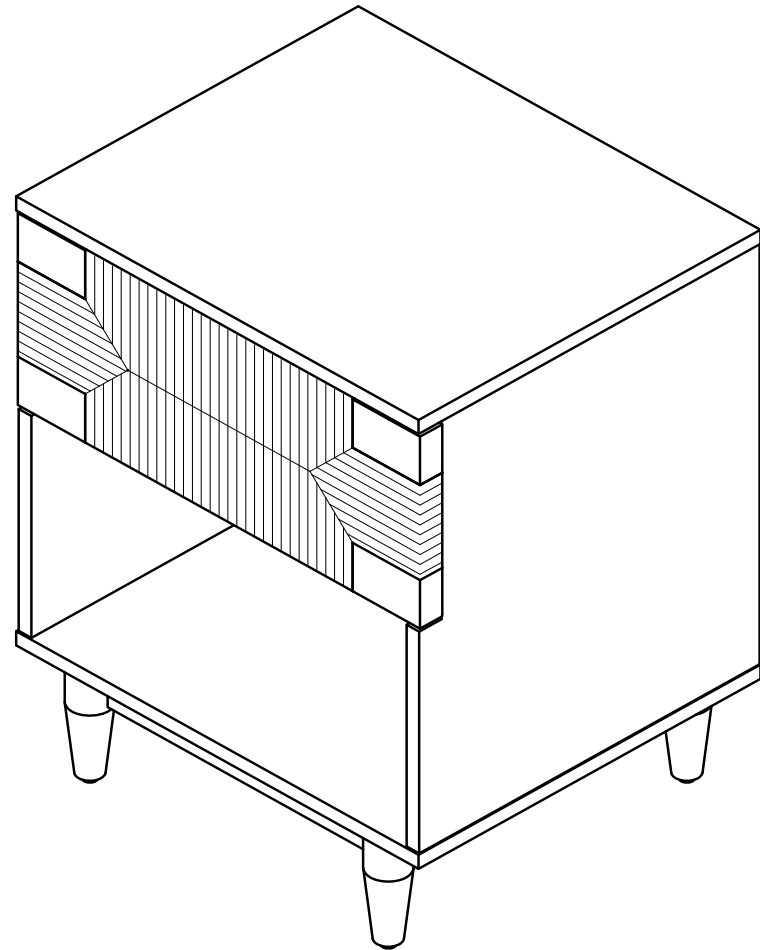







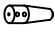
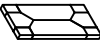




BANANA STEM 1 DRAWER NIGHTSTAND

Assembly Instructions


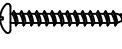
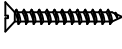









Every thing we make is incredibly simple to set up, including your new nightstand. You won't need any additional tools.

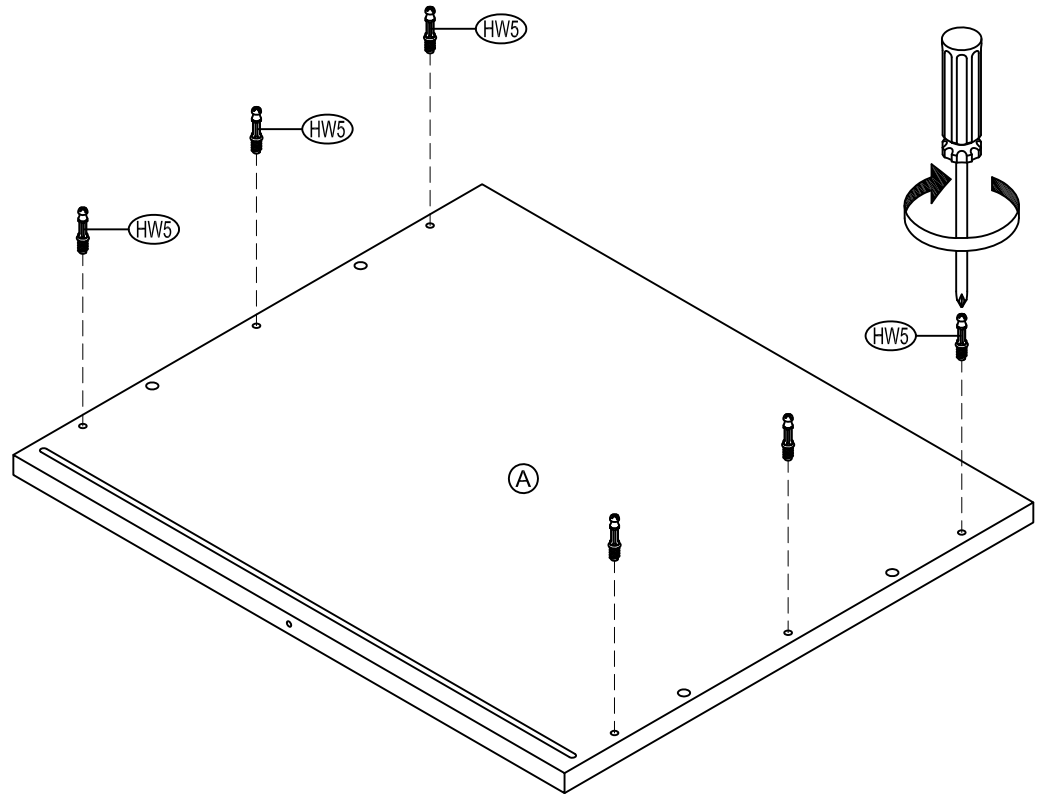
Parts List

- A x 1
TOP PANEL 
- B x 1
LEFT PANEL 
- C x 1
RIGHT PANEL 
- D x 1
BASE ASSEMBLY 
- E x 1
BACK PANEL 
- F x 4
LEG 
- G x 1
DRAWER FRONT 
- H x 1
DRAWER LEFT 
- I x 1
DRAWER RIGHT 
- J x 1
DRAWER BACK 
- K x 1
DRAWER BASE 

Hardware List

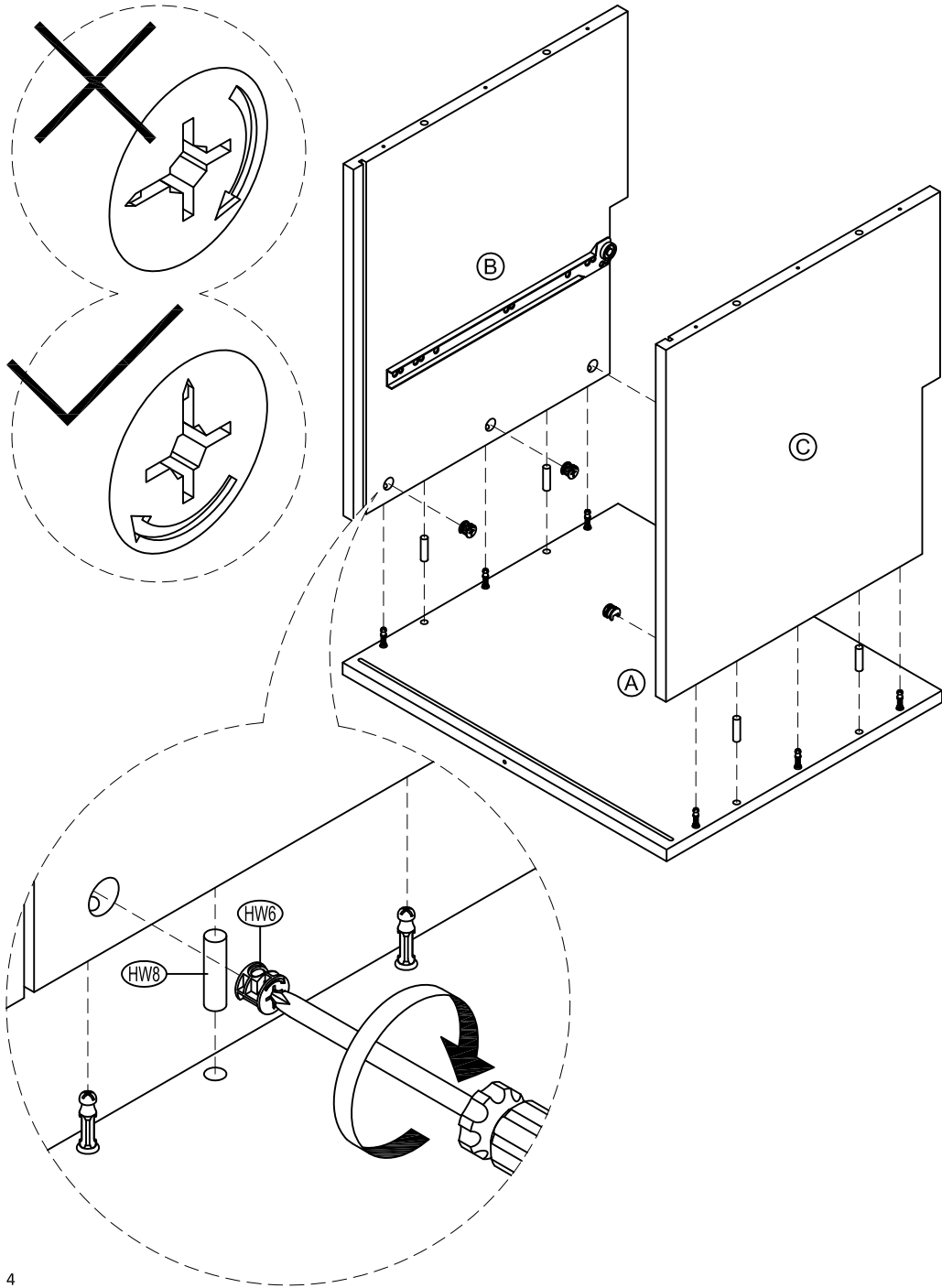
- HW1 x 8
BOLT 6x1x30 mm 
- HW2 x 6
ROUND HEAD SCREW 3x1x32 mm 
- HW3 x 11
FLAT HEAD SCREW 3x1x32 mm 
- HW4 x 8
FLAT HEAD SCREW 3x1x16 mm 
- HW5 x 6
CAMBOLT 
- HW6 x 6
CAMLOCK 
- HW7 x 8
WEDGE 
- HW8 x 8
DOWEL 
- HW9 x 8
SPRING WASHER Ø13x1 mm 
- HW10 x 1
L KEY 

1
Attach Cambolt (HW5) to Top Panel (A).



2

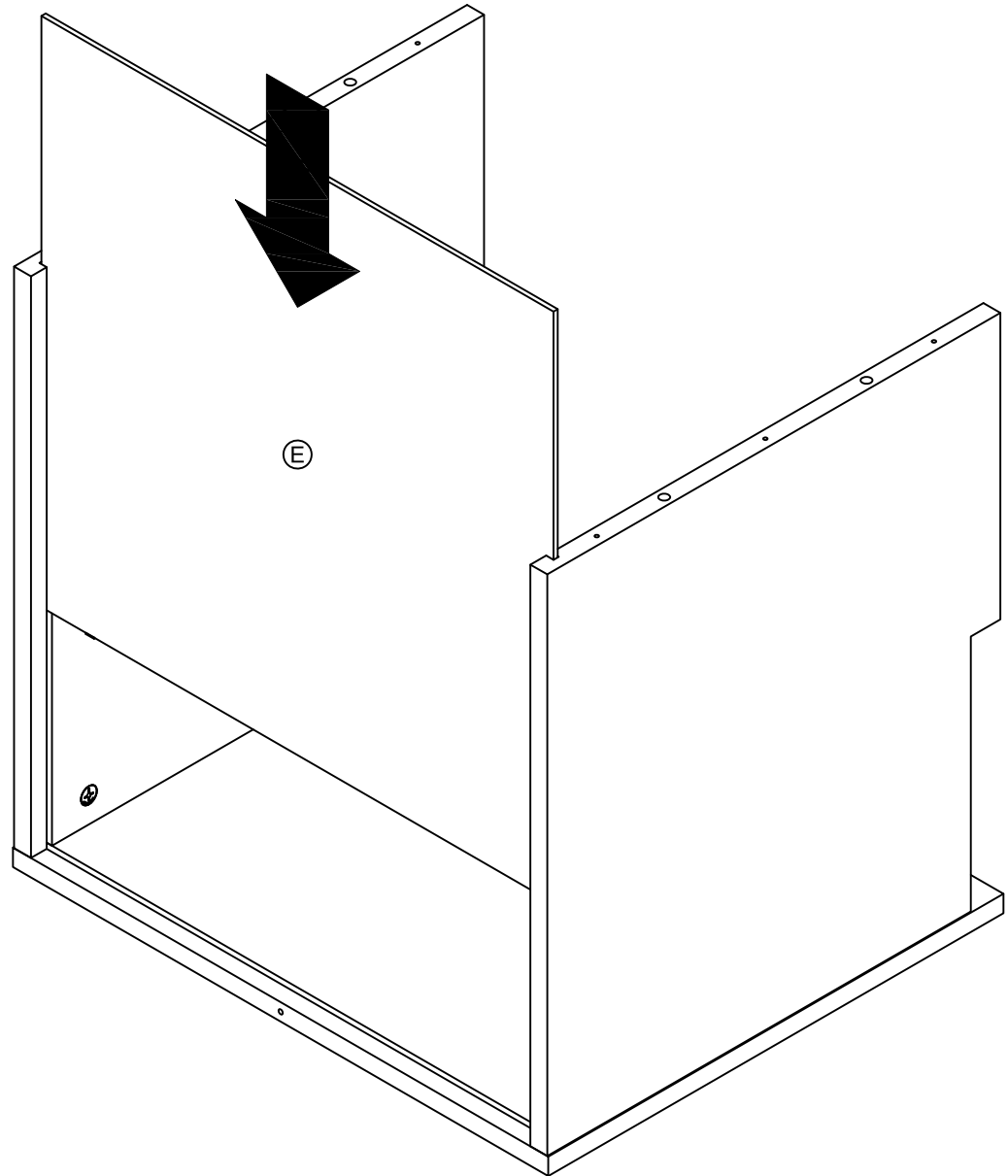
Attach Left and Right Panels (B & C) to Top Panel (A) using Camlock (HW6) and Dowel (HW8).



4

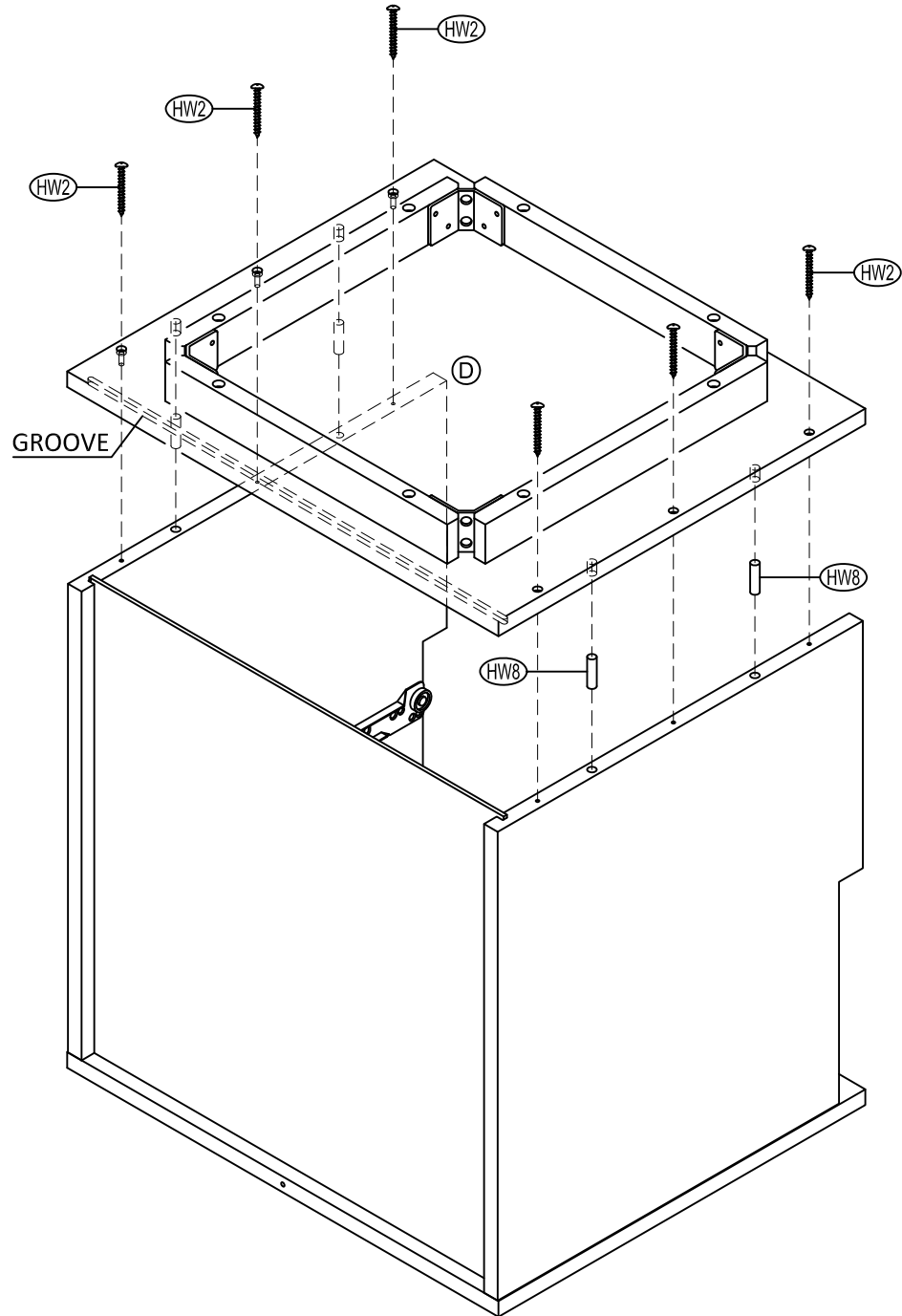
3

Slide Back Panel (E) into the groove of unit.

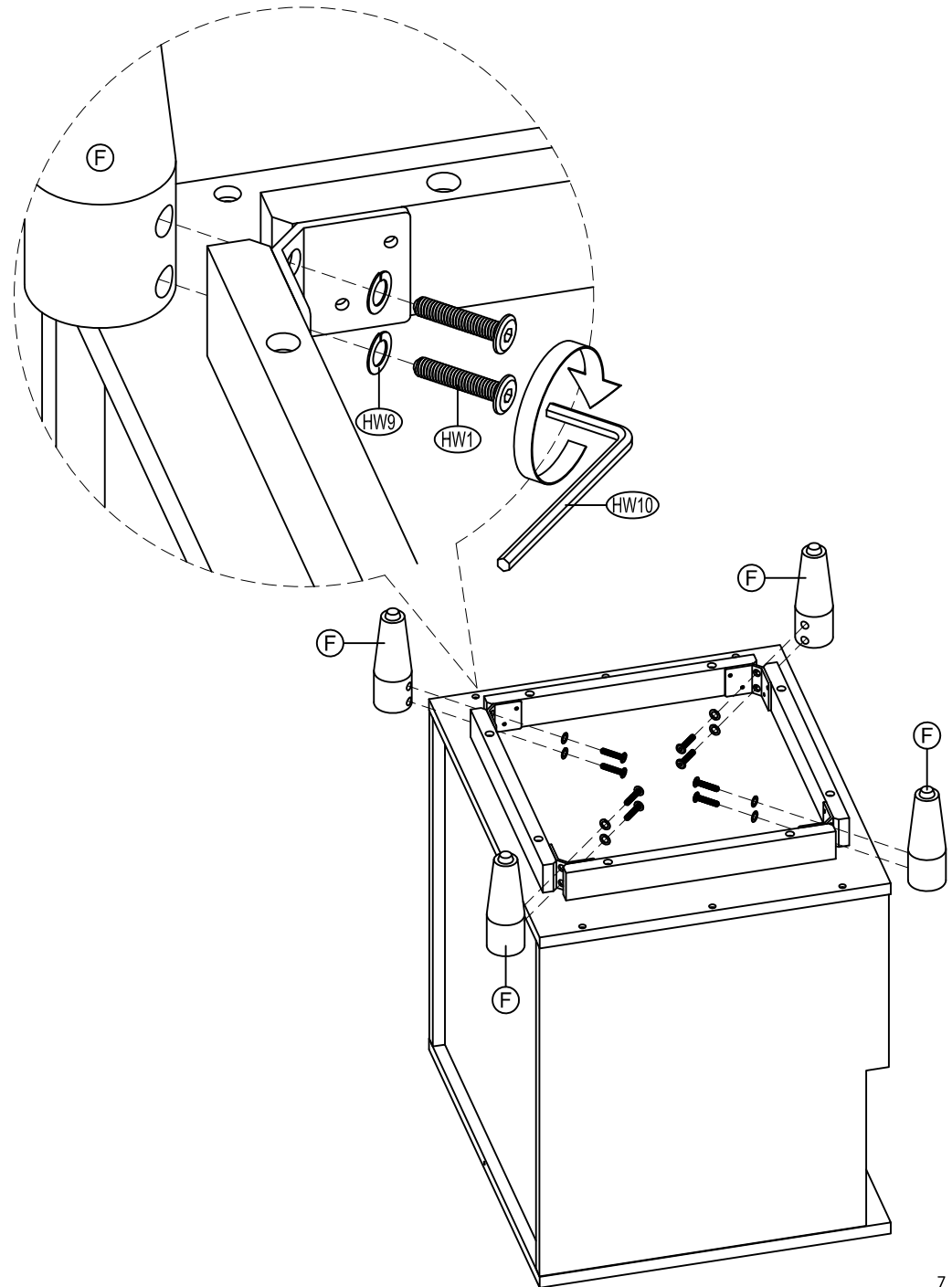


5

Attach Base Assembly (D) to unit using Round Head Screws 32 mm (HW2) and Dowels (HW8).
 Note: Make sure the Back Panel (E) inserted to the groove of Base Assembly (D).

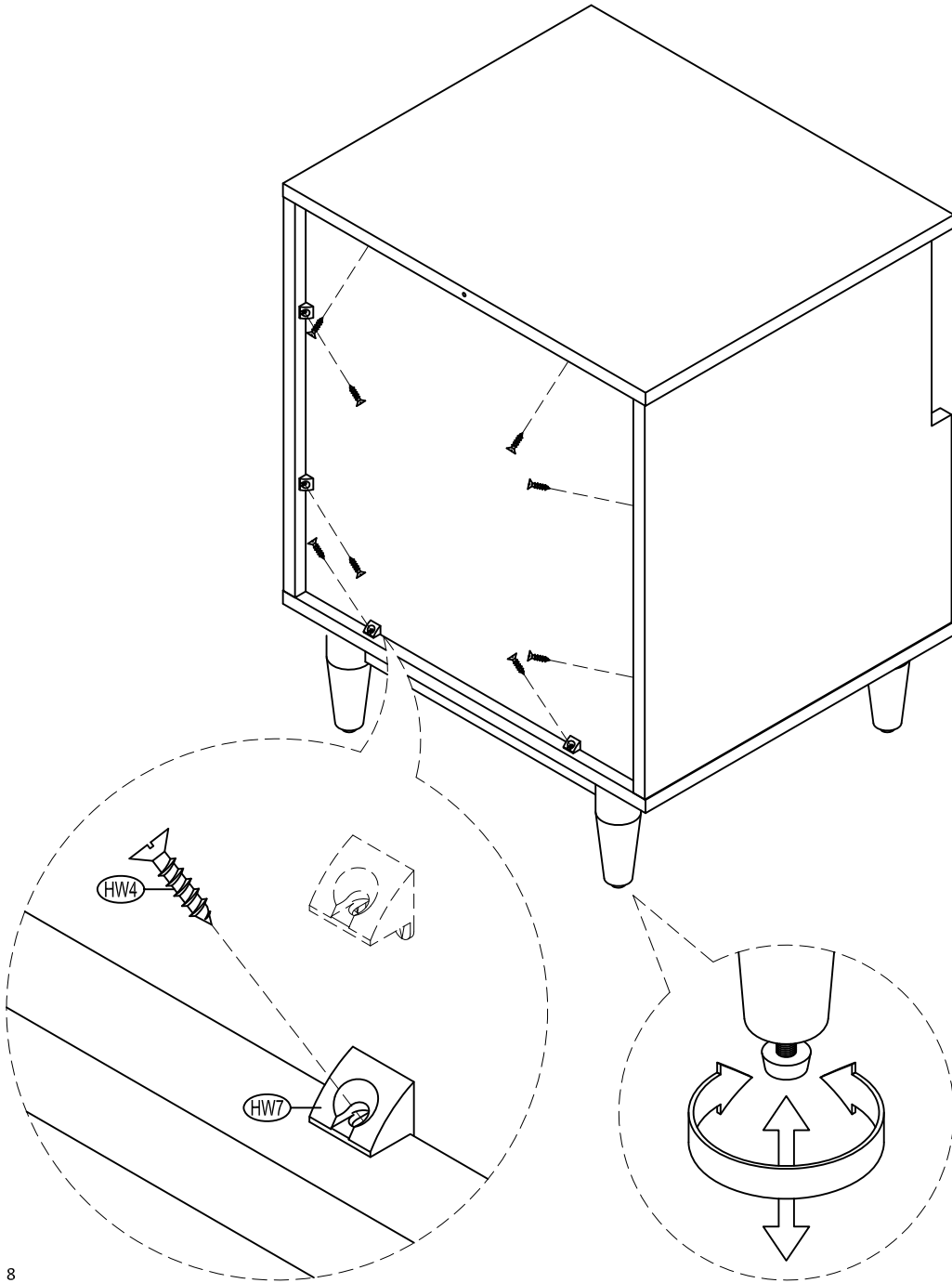


Attach Legs (F) to unit using Bolts (HW1) and Spring Washers (HW9). Tighten Bolts (HW1) using L Key (HW10).



6

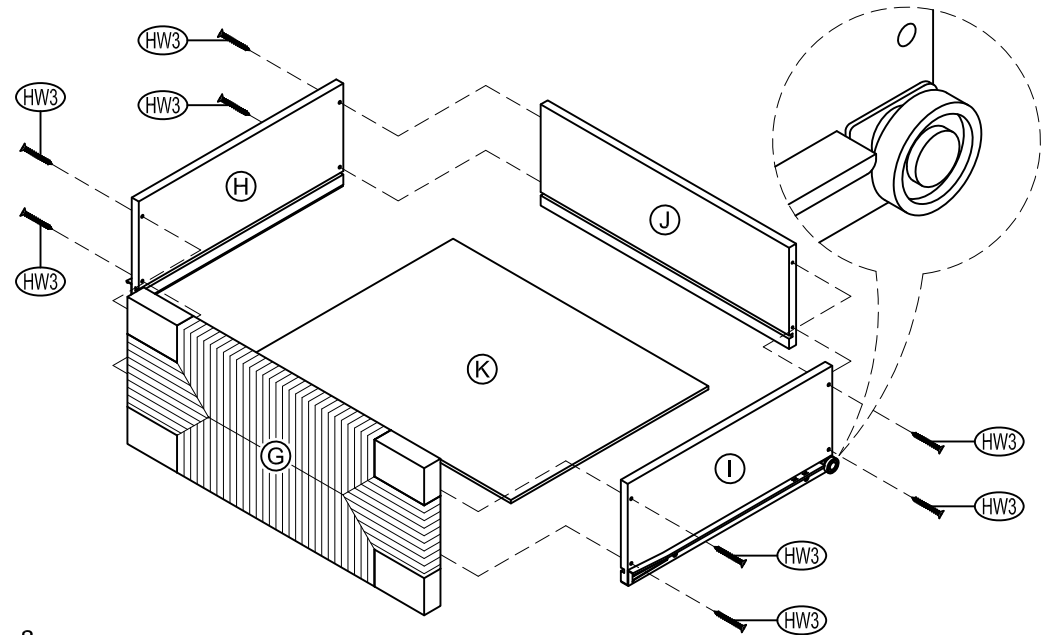
Turn the table upright and attach Wedges (HW7) to lock Back Panel using Flat Head Screws 16 mm (HW4). Adjust the levelers on the bottom of the legs as needed.



8

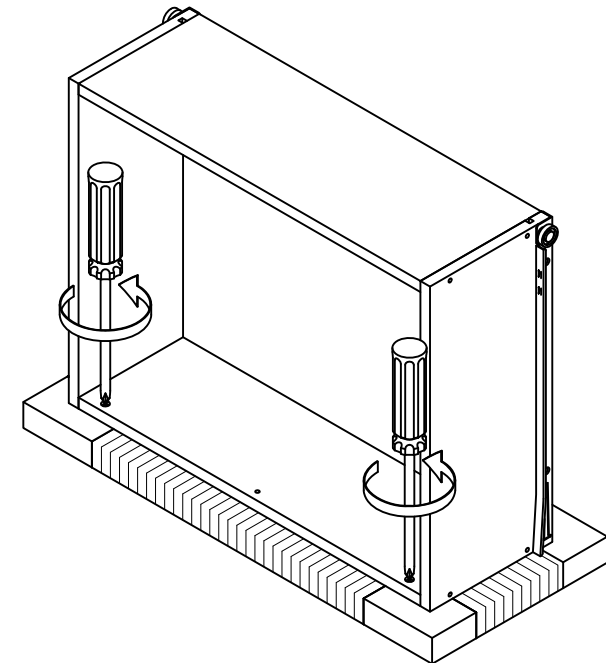
7

Attach Drawer Left and Right (H & I) to Drawer Back (J) using Flat Head Screws 32 mm (HW3). Slide Drawer Base (K) into the groove. Attach Drawer Front (G) to Drawer Left and Right (H & I) using Flat Head Screws 32 mm (HW3).



8

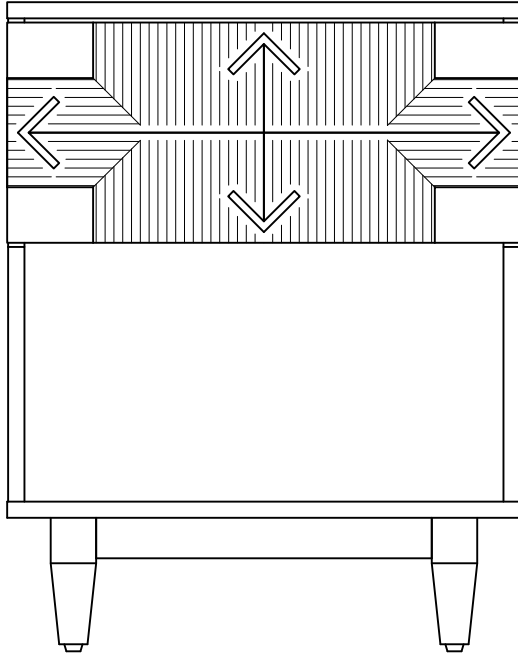
Loosen slightly the screws pre-installed on the back of the Drawer Front.



9

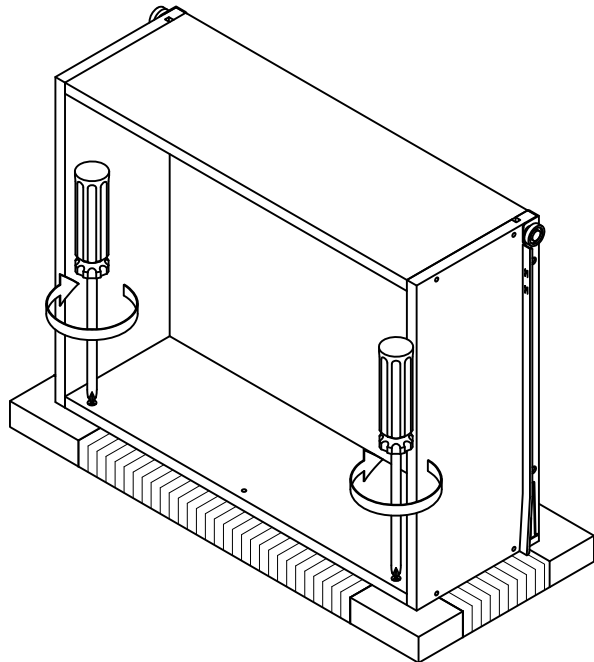
9

Insert the drawer into the unit, then adjust the Drawer Front Panel left or right and up or down until the drawer gaps look proportional.



10

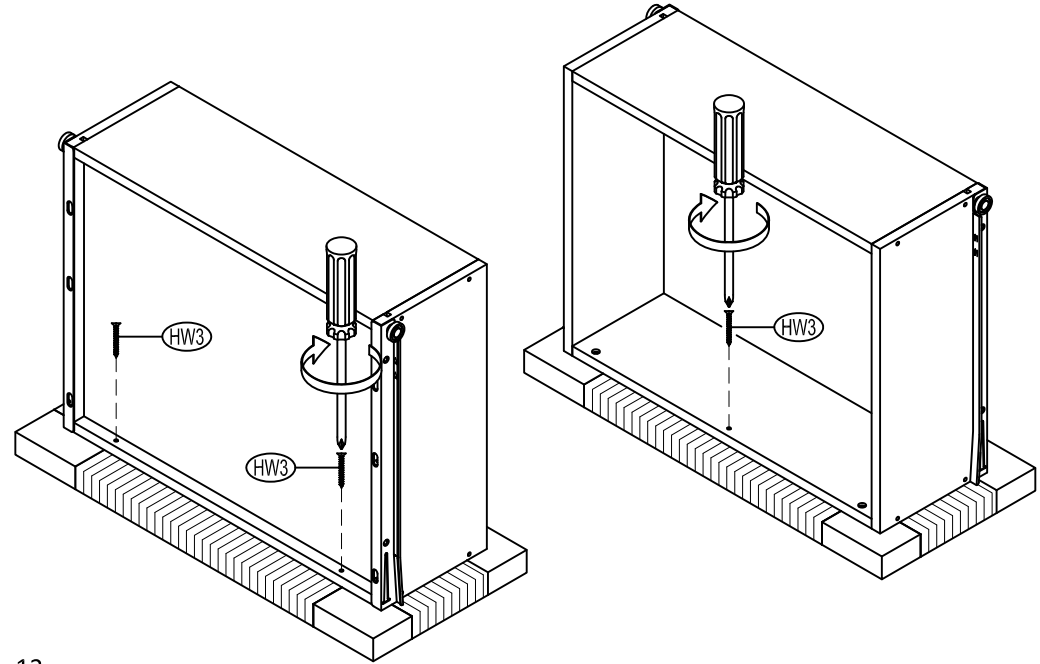
Pull the drawer open slowly and re-tighten the screws from step 8.



10

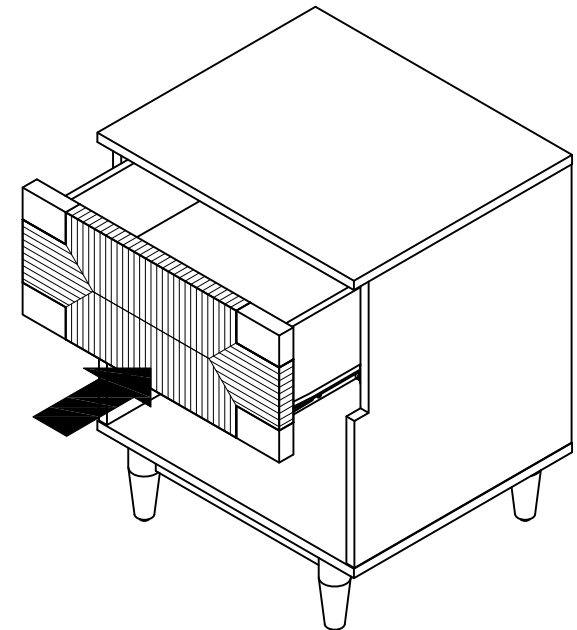
11

Make sure the Front Panel does not move and lock the Drawer Front Panel position with Flat Head Screws 32 mm (HW3).



12

Slide the drawer into unit. Place the nightstand in the place where you will use it. We'd love to see it – just tag us (we're @safavieh) and use the hashtag #safavieh on Instagram!



11