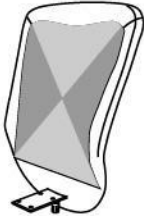

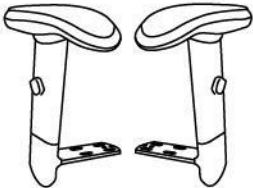
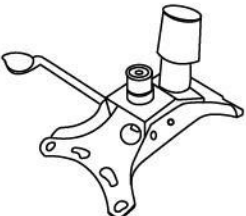
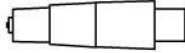

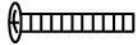
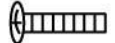
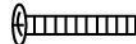

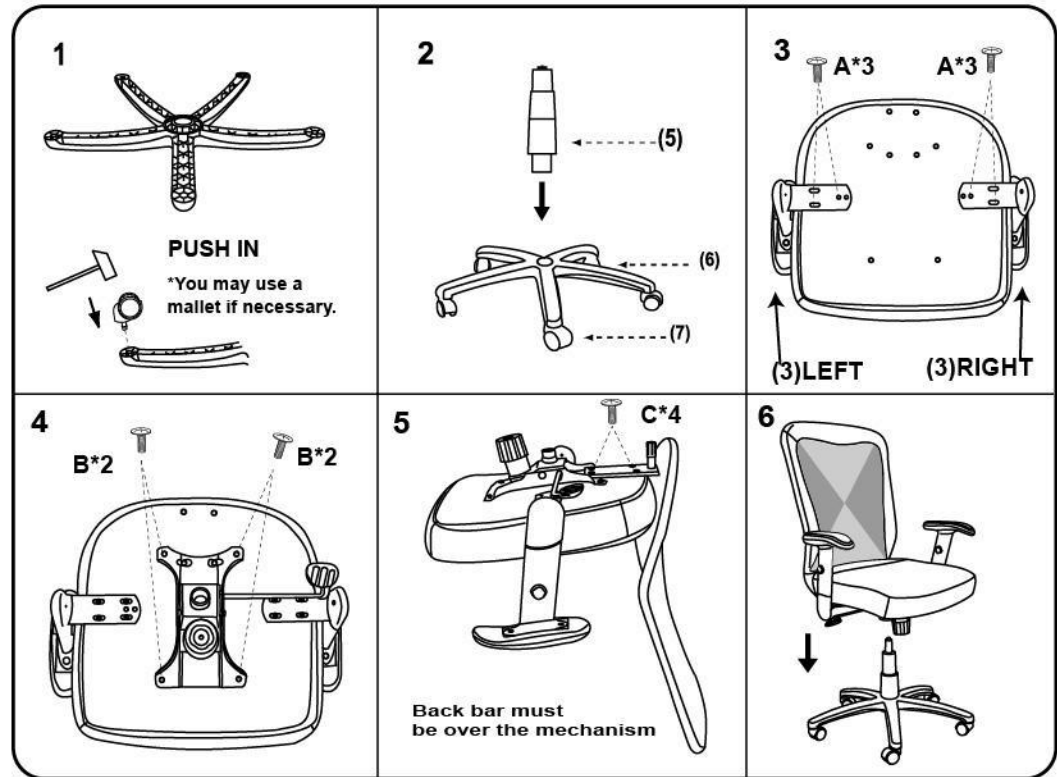


**IMPORTANT NOTICE:  
HARDWARE PACKAGE IS ATTACHED  
ON THE BOTTOM OF SEAT CUSHION.**

(1)x1	(2)x1	(3)x1 (L)x1 (R)
 Back	 Seat	 Right & Left Arm
(4)x1	(5)x1	(6)x1
 Mechanism	 Gas Lift	 Five Star Base
(7)x5	<p>(A)X6  M6X30 Arm Screws</p> <p>(B)X4  M8X22 Mechanism Screws</p> <p>(C)X4  M8X30 Back Bar Screws</p>	
 Casters		



**Insert and loosely tighten all screws. When assembly is completed, fully tighten all screws before using. This chair is only intended for sitting. Any other use will void the warranty.**

