

ASSEMBLY INSTRUCTION

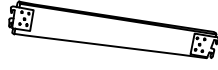
KING BED - FOOTBOARD & SIDE RAILS

A Footboard



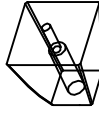
1pc

B Side Rails



2pcs

C Wooden Leg



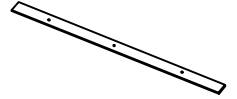
2pcs

D Support Leg



15pcs

E Wooden Slats



5pcs

F Screw



20pcs

G Bolt
1/4" x 75mm



2pcs

H Bolt
1/4" x 50mm



15pcs

I Flat Washer



17pcs

J Lock Washer

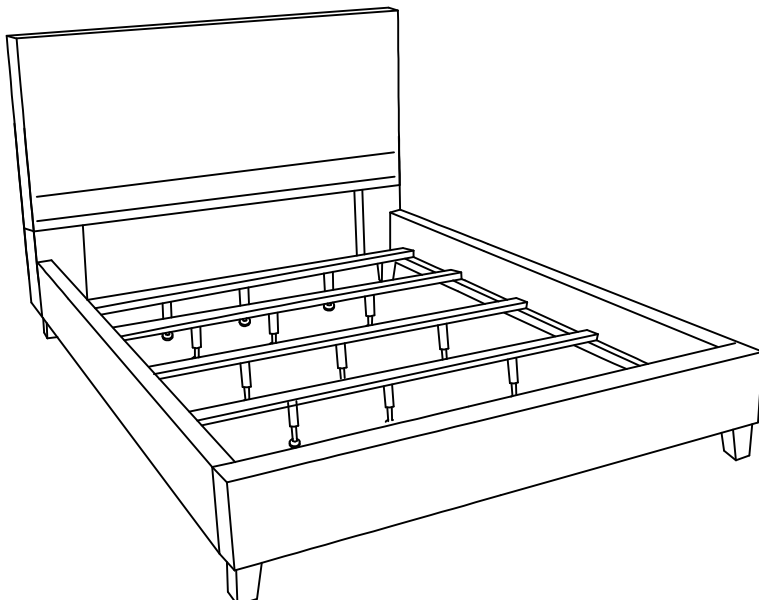


17pcs

K Allen Wrench

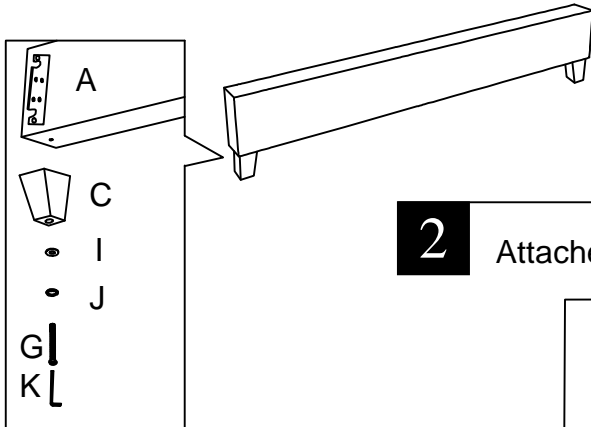


1pc

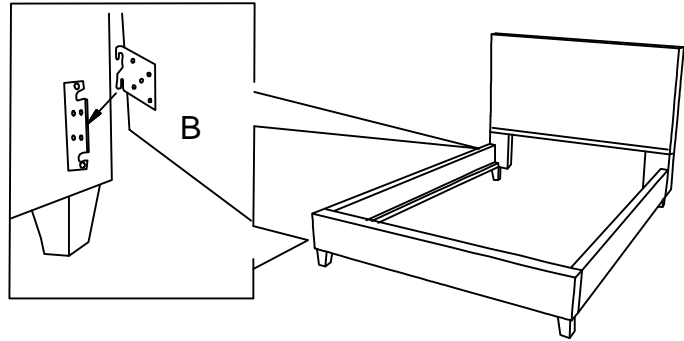


This page lists all the contents included in the box. Please take the time to identify the hardware as well as the individual components to this product. As you unpack and prepare for assembly, place the contents on a carpeted or padded area to protect them from damage.

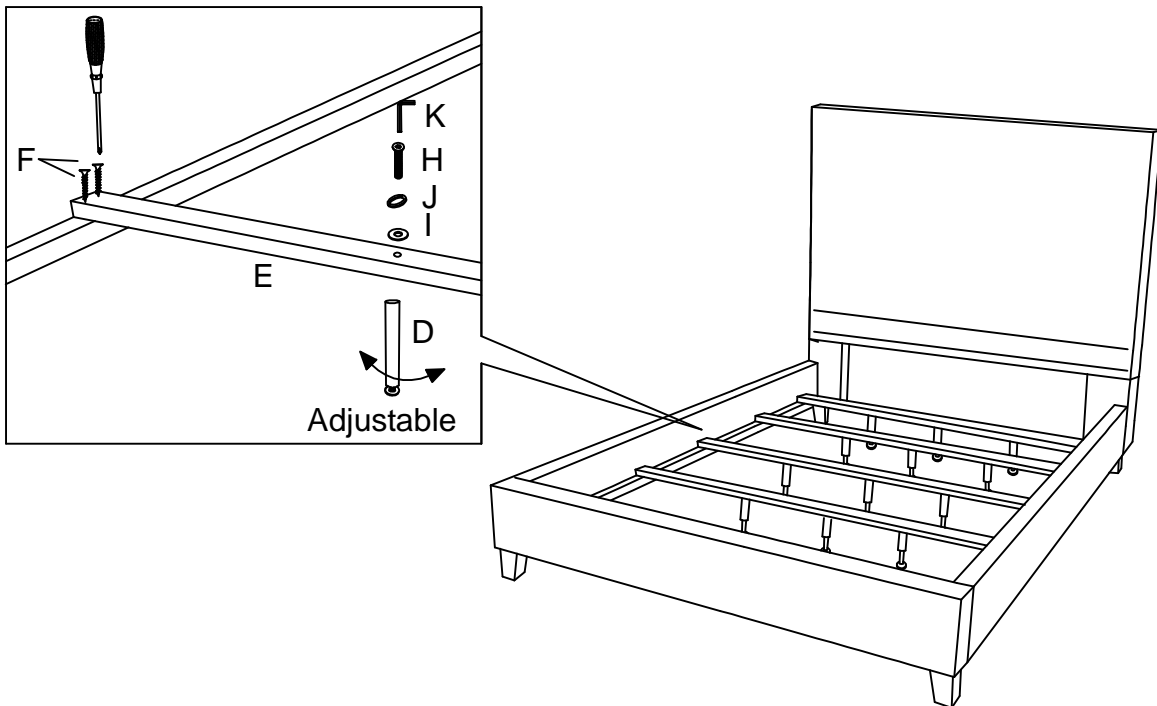
- 1** Attached Wooden Leg(C) to the Footboard(A) use Bolt(G), Lock Washer(J) and Flat Washer(I) on both of holes. Turn the Allen Wrench(K) in Bolt(G).



- 2** Attached Side Rails(B) to the Headboard and Footboard(A).



- 3** Assembly Support Leg(D) to Wooden Slats(E) use Bolt(H), Lock Washer(J) and Flat Washer(I) by Allen Wrench(K). Assembly Wooden Slats(E) to Side Rail(B) use Screw (F) as showing.



Cleaning & Care

Treat surface with care. Surface is resistant to scratches but is not scratch resistant. Clean surfaces with a dry or damp soft cloth. Do not use abrasive cleaners. Hardware may loosen over time. Periodically check that all connections are tight.