

# Headboard/Footboard Brackets

Contains Two (2) Brackets and Hardware

## IMPORTANT NOTE:

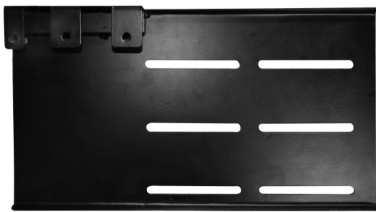
Carefully remove all the parts from the carton. Arrange on a flat surface and verify you have all of the following parts and hardware.

## TOOLS REQUIRED:

Phillips Screwdriver

## PART AND HARDWARE LIST

**A. Headboard Bracket**  
(2 pcs)



**B. Support Bar**  
(2 pcs)



**C. 1 3/4" Screw**  
(6 pcs)



**D. Washer**  
(10 pcs)



**E. Wing Nut**  
(6 pcs)



**F. 1" Screw**  
(4 pcs)



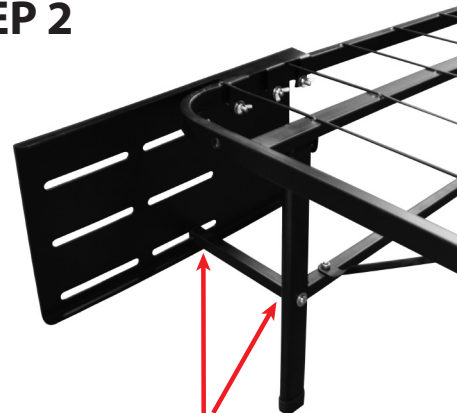
## ASSEMBLY INSTRUCTIONS

### STEP 1



Hang the bracket (Part A) on the corner of the frame for the desired width of your headboard. Secure the bracket to the frame with 3 long screws (Part C), 3 washers (Part D) and 3 wing nuts (Part E). Hand-tighten the wing nuts. Do not fully tighten to allow for side-to-side adjustment of the bracket.

### STEP 2



Install the support bar (Part B) using 2 short screws (Part F) and 2 washers (Part D). Fully tighten all screws and wing nuts to solidly secure the bracket to the frame.

Repeat the steps for the second bracket. Attach your headboard to the brackets with the hardware that came with your headboard (not included).

## VIDEO



Scan the QR code on your smart phone or device, or enter the link below to watch a complete video of the easy installation of the Headboard/Footboard Brackets.

<https://www.youtube.com/watch?v=Ay1kU0oDs2w>