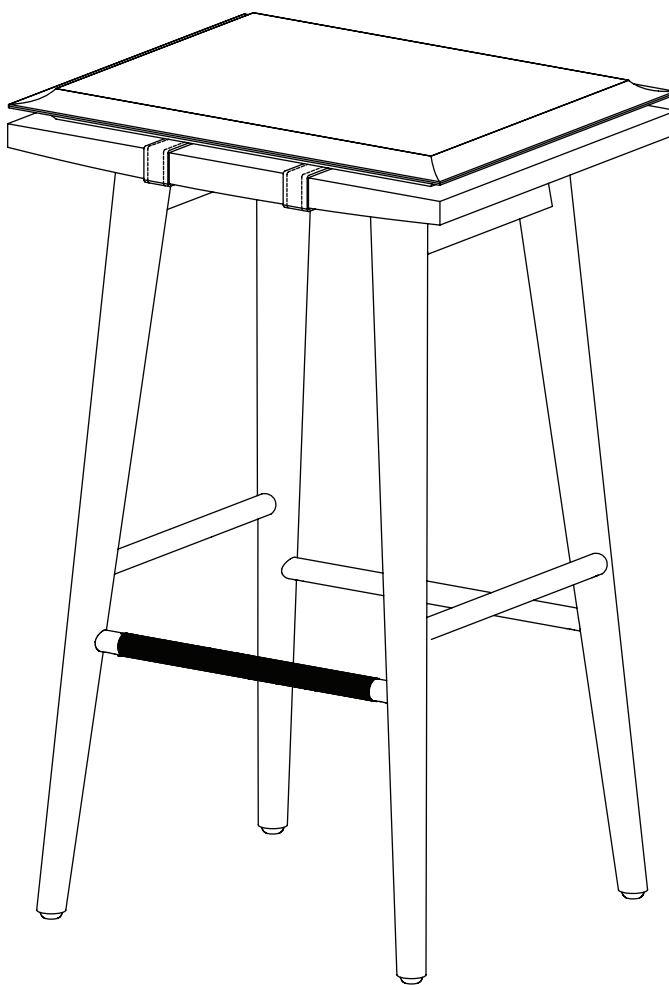


Let's build the

Barker Bar Stool

SKU 24402



Scan me!

Inspiration
Digital Instructions
Free Lifetime Warranty

nathan james

22-0830

Ok, let's get rolling

This should be easy, just follow our instructions and you will be back to Netflix in no time.

Estimated time for assembly



15:00

What you need

- Some of your favourite bubbly or your preferred relaxant
- Use the packaging carton as a working surface to prevent product damage during assembly

Do not use a drill



Weight Limitation



250
lbs

Toll-free at 1-866-619-1004
Help@nathanjames.com
Nathanjames.com/help

What's included

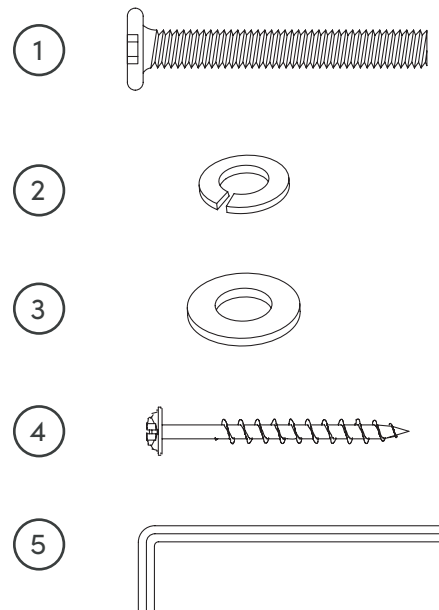
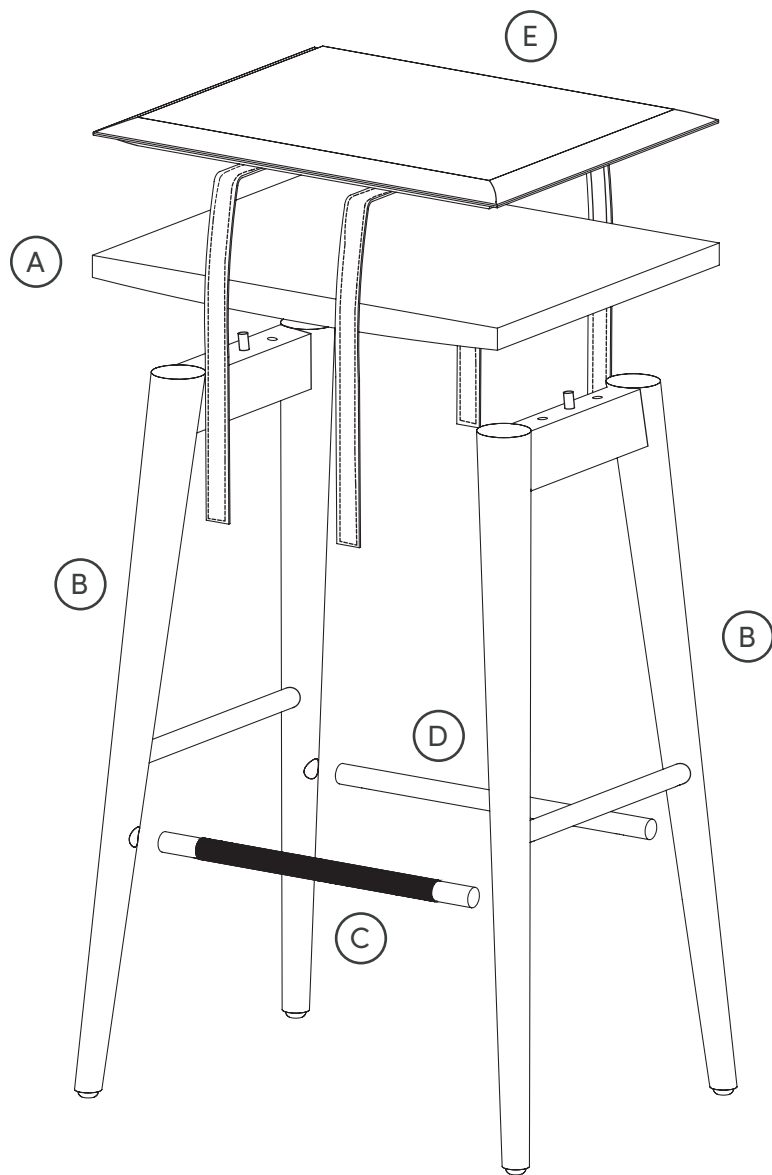
Description	Qty
A Seat Platform	1
B Left / Right Legs with Floor Protectors	2
C Front Footrest	1
D Back Footrest	1
E Cushion	1
1 1/4 x 2 1/8 inch Hex Button Head Bolt	4
2 1/4 inch Lock Washer	4
3 1/4 inch Flat Washer	4
4 M4*38mm Phillips Flat-Head Screw	4
5 Allen Key	1

Scan me!

Inspiration
Digital Instructions
Free Lifetime Warranty



The goods



IMPORTANT

1. Do not tighten bolts / screws completely until all bolts / screws are lined up and inserted into holes.
2. Do not over tighten screws and bolts to avoid stripping.
3. Please use hand tools to assemble this product. Do not use power tools.



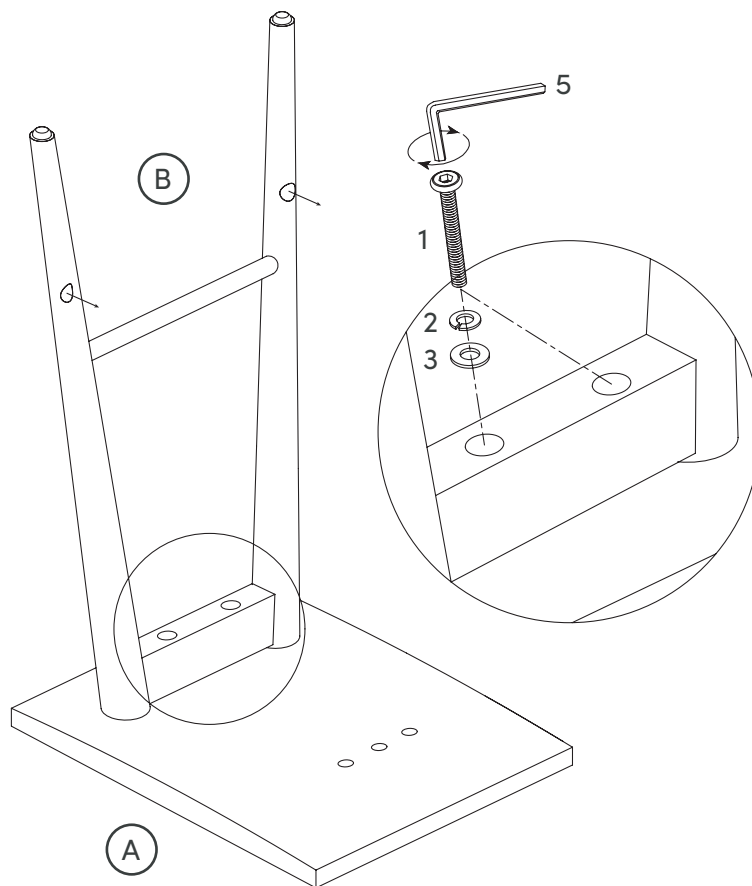
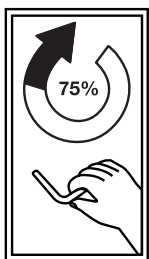
Step 1

Okay, let's get this thing fired up! Don't worry, we'll get you back to your Netflix show in 15 minutes. You got this!

Start with the Left Legs (B) and be sure that the footrest holes are facing towards the center of the stool's seat platform.

Use the lettered labels as a guide to properly align the components.

Tighten all screws 75%.

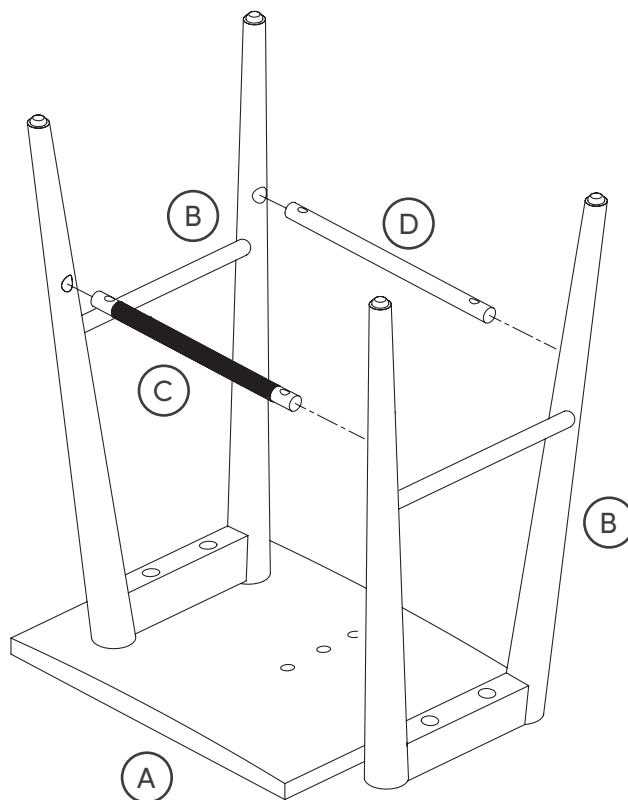


Step 2

Repeat Step 1 for the Right Legs (B) while also adding the two footrests (front and back) between the 2 sets of legs.

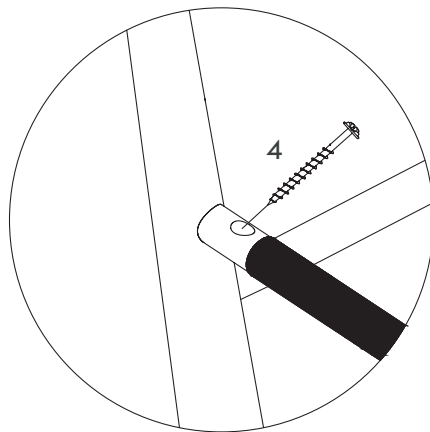
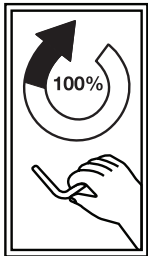


Do not overtighten hardware!

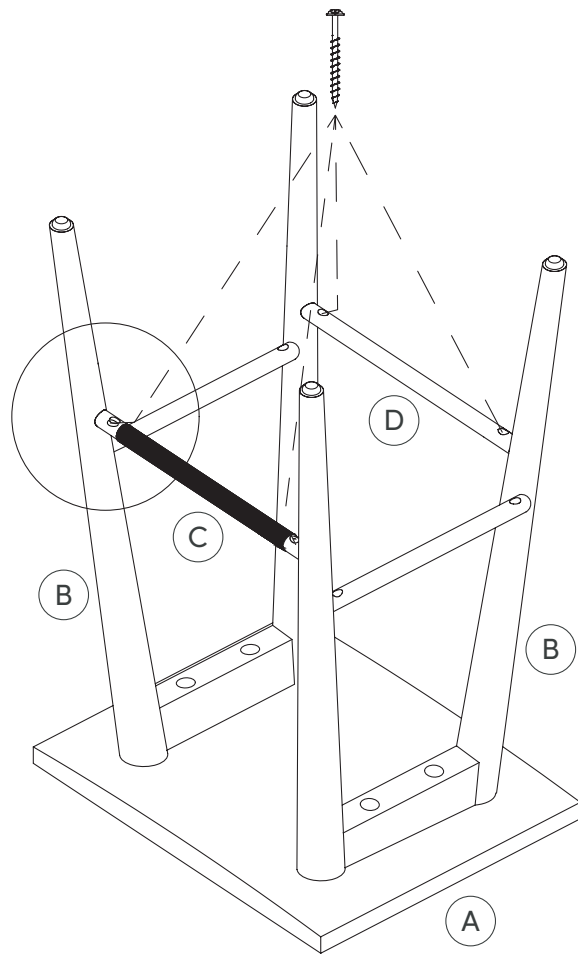


Step 3

Tighten the footrests with the rounded head screws (4) and tighten 100%.

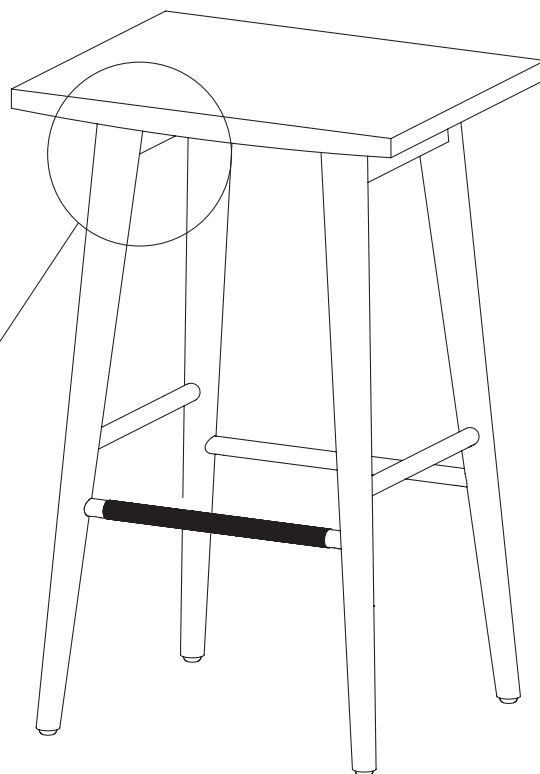
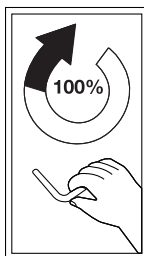


Tip from a friend to a friend:
Be sure to install the screws through the footrests into the legs at an angle.



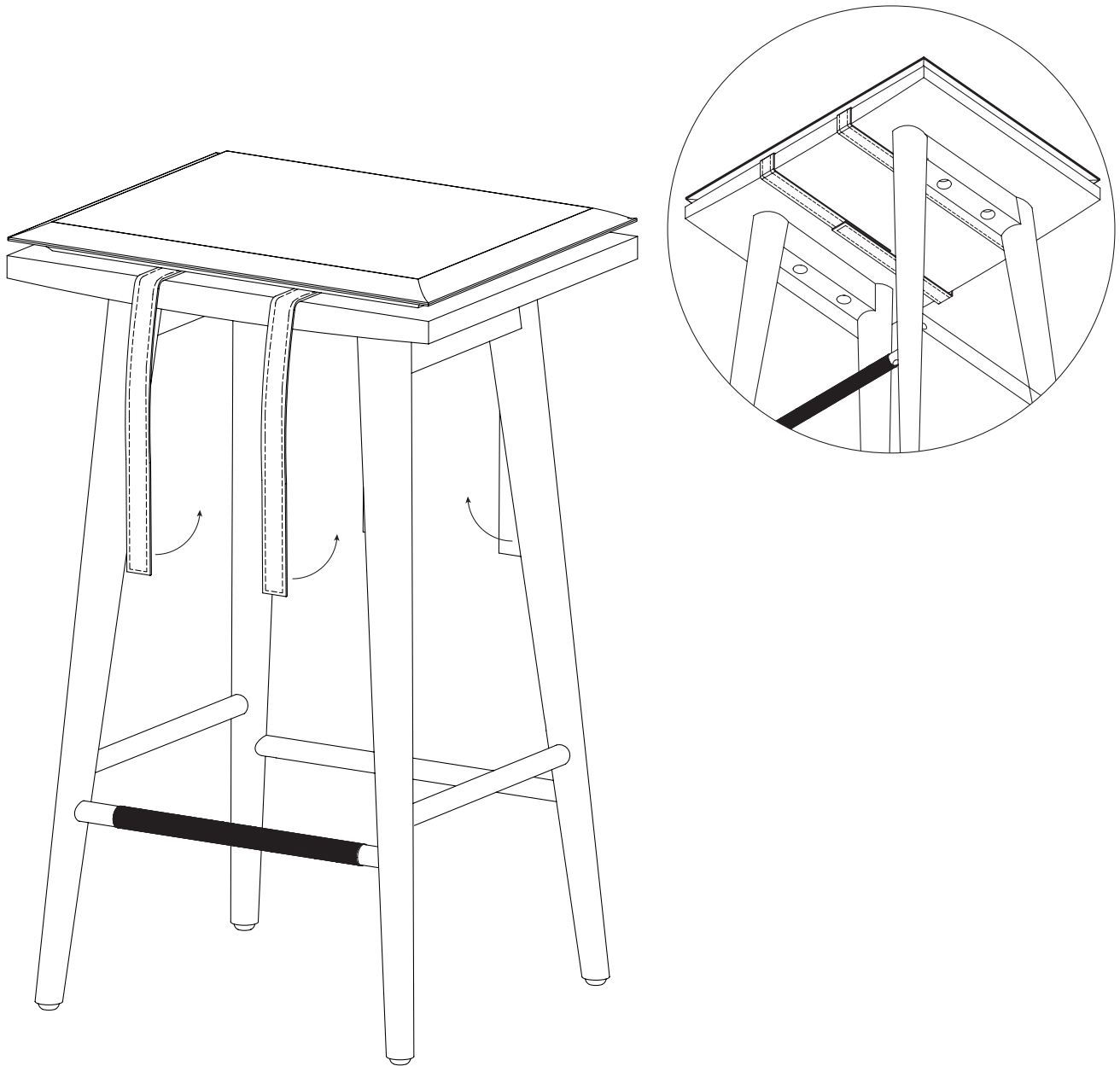
Step 4

Now flip the stool over on a flat, level surface and make sure that all of the legs are touching the ground before continuing to tighten everything to 100%.



Step 5

Last but not least, place the cushion on the seat and join the velcro straps together underneath the seat to secure in place.



No heartburn, when we handle the return

Give us a call **1-866-619-1004** or shoot us a message at **help@nathanjames.com** we will issue you a free replacement with **zero hassle**.

Our way



Give us a call



Replacement



You

Their way



Re-package item



Schedule pick up



Track package



Replacement



You

We really don't want you to go through the hassle of re-packaging your item and sending it back, because let's be honest...nobody has time for that.



Safety first, fun later

We want your Barker Bar Stool to last as long as possible, so we recommend that you tighten the screws 2 weeks after assembly and for added safety check the tightness of all screws every 2 months.

For proper care and treatment of fabric & wood please check our website at NathanJames.com/products

Safe use of this product starts with you.

Use this bar stool responsibly with the primary concern for your safety. Follow assembly instructions carefully and inspect product upon receipt and each use.

Nathan James and its parent companies cannot be held legally responsible for any injuries or death resulted from failure to follow instructions or improper use of this product.

Do not modify the structure of this product in any way.

Our products have been tested to meet specific safety measures as they were originally intended to be sold. Any modifications will present the risk of creating significant safety issues which NJ will not be responsible for.

Proper use

- DO NOT** use for commercial purposes
- DO NOT** frolic on bar stool
- DO NOT** use bar stool as foot stool
- DO NOT** leave spilled liquid on seat
- DO NOT** use bar stool if damaged
- DO NOT** make temporary repairs
- DO NOT** use outdoors



We are only in business if you're happy

For starters, thanks for being you.

☎ Toll-free at 1-866-619-1004

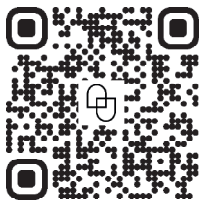
✉ Help@nathanjames.com

🌐 NathanJames.com/help

We do our best to ensure your furniture arrives without any problems, but occasionally mistakes happen—as humans we are imperfect beings. In the event that a part is damaged or missing, we will be more than happy to provide you with replacement part(s) for free.

Warranty

This product comes with a lifetime warranty from the date of purchase. Please use your phone to scan the QR code to register your product or visit <https://goo.gl/i9dk3q>



Did we do alright? Please spread the love!

If you are happy with your product, tell your friends and family about us or even better leave us a review online. Spreading the word gives us the opportunity to make more people happy and keep our prices low for your next purchase.

Brooklyn Burden

Founder, Nathan James