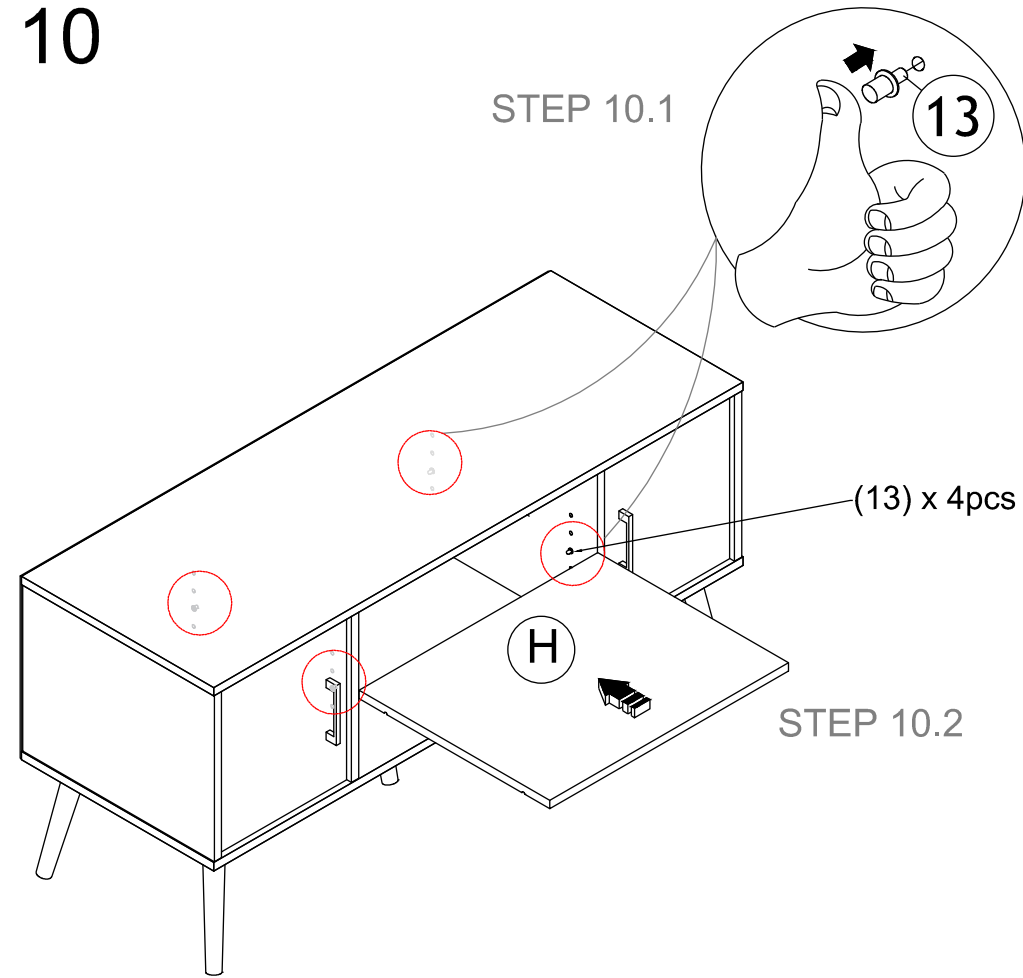
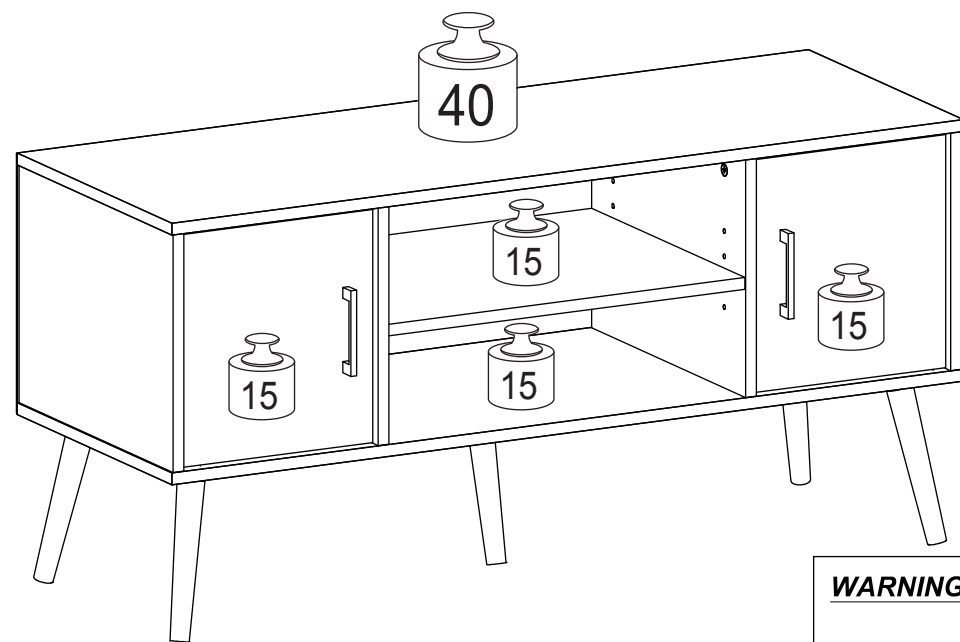


STEP 10



Recommended Maximum Weight



*Unit in Pound(lbs)



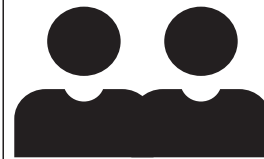
WARNING:

>This unit has been designed to support the maximum loads shown. Exceeding these load limits could cause sagging, instability, product collapse, and/or serious injury.

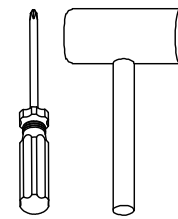
>DO NOT allow children to climb on unit.

00:30

Approx. 30 minutes



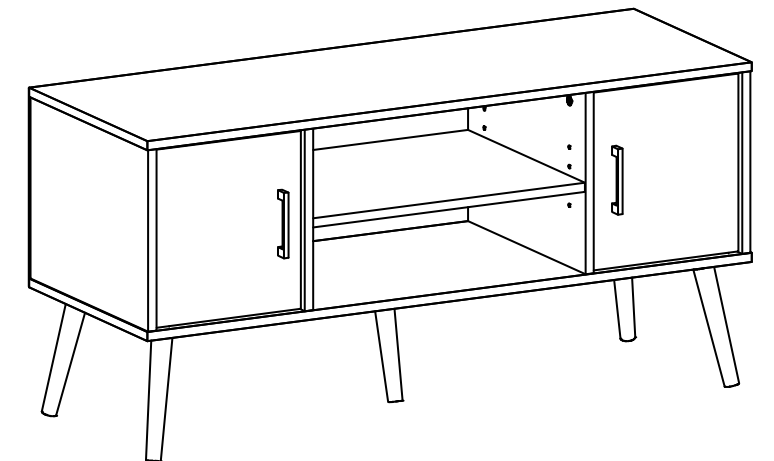
Recomm. 2 Persons







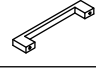









Tools Required

Assembly Instruction

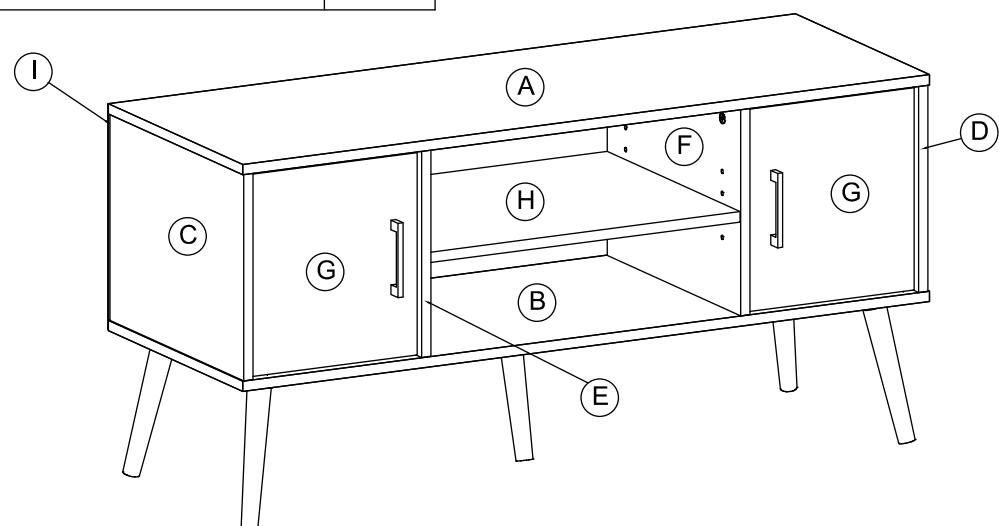
Stand with Wood Legs



HARDWARE & PARTS LIST

NO	HARDWARE LIST	QTY
1	MINIFIX  	8sets
2	LONG SCREW 	8pcs
3	DOWEL 	16pcs
4	HANDLE 	2pcs
5	HANDLE SCREW 	4pcs
6	WOODEN LEG 	5pcs
7	METAL SUPPORT PLATE 	5pcs
8	DOOR SPRING 	4pcs
9	SHORT SCREW 	25pcs
10	MAGNET 	2pcs
11	FLAT HEAD SCREW 	2pcs
12	POWER PIN 	28pcs
13	PVC SHELF SUPPORT 	4pcs

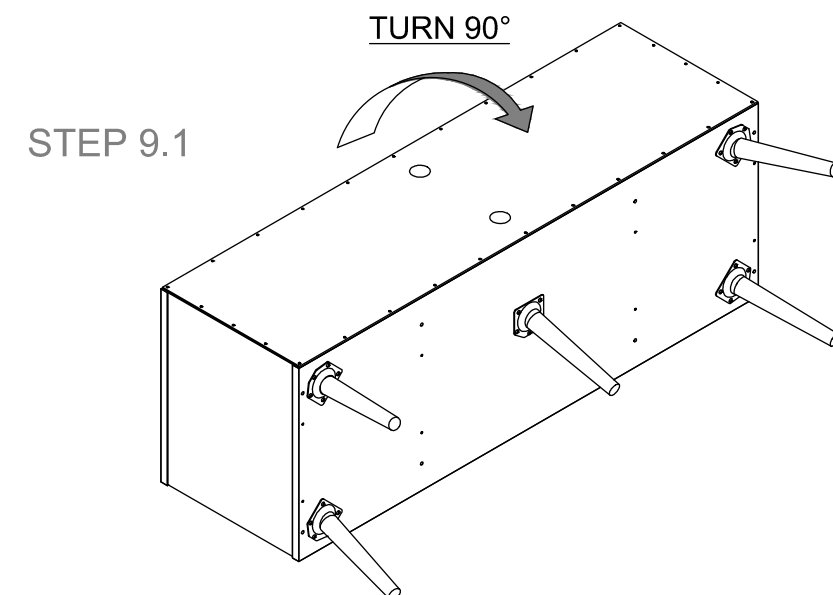
NO	PARTS LIST	QTY
A	TOP PANEL	1pc
B	BOTTOM PANEL	1pc
C	LEFT SIDE PANEL	1pc
D	RIGHT SIDE PANEL	1pc
E	LEFT CENTER PANEL	1pc
F	RIGHT CENTER PANEL	1pc
G	DOOR PANEL	2pcs
H	SHELF PANEL	1pc
I	BACK PANEL	1pc



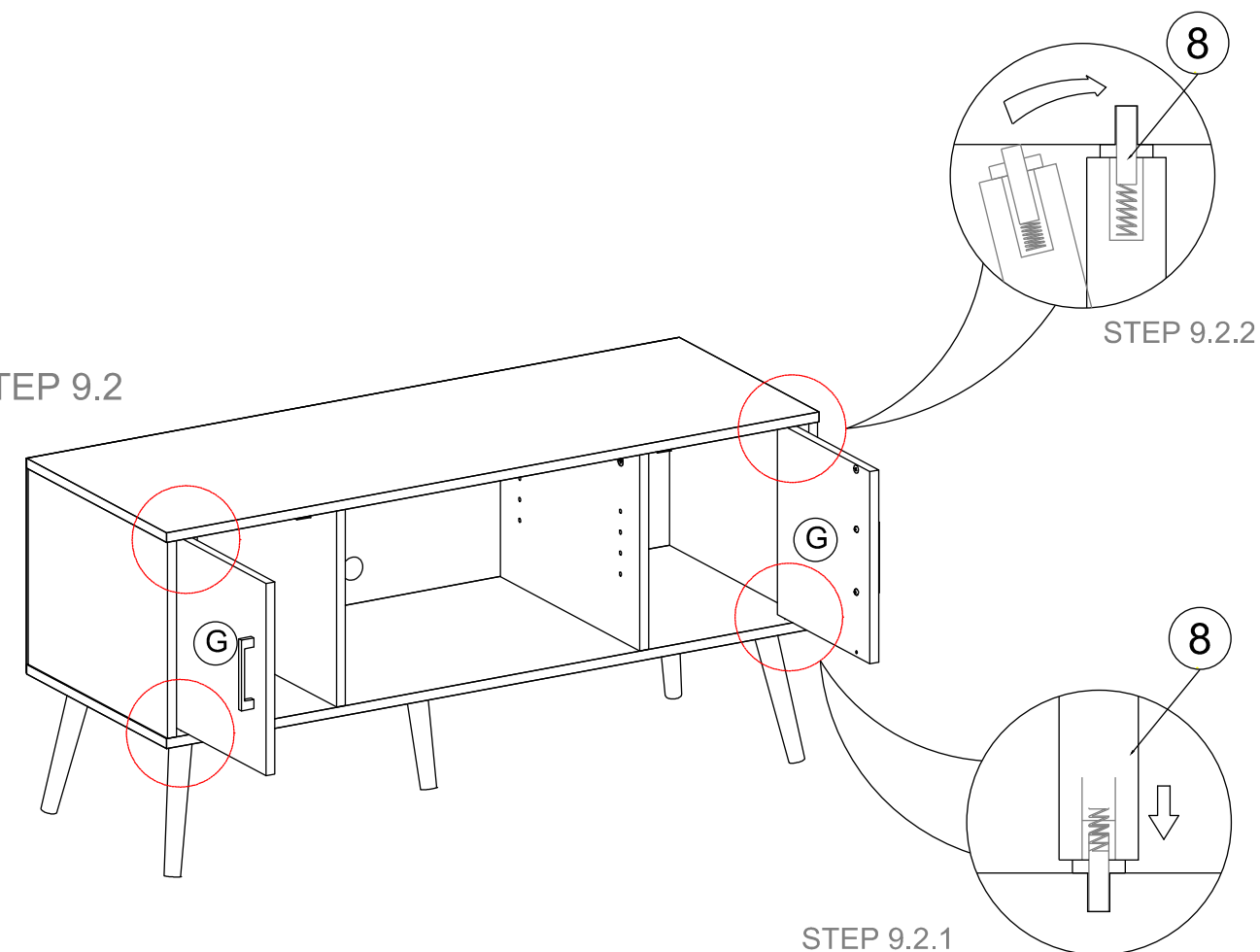
USEFUL HINTS BEFORE YOU START:

1. Read each step carefully before starting.
2. It is important that each step is performed in correct order to avoid difficulties.
3. Identify, sort and count the parts before assembly.
4. Assemble your furniture on packaging cardboard to prevent scratch or damage.
5. Clean the product with mild cleanser using soft damped cloth. Do not use harsh or abrasive cleanser.
6. Using incompatible hardware might cause damage to product.

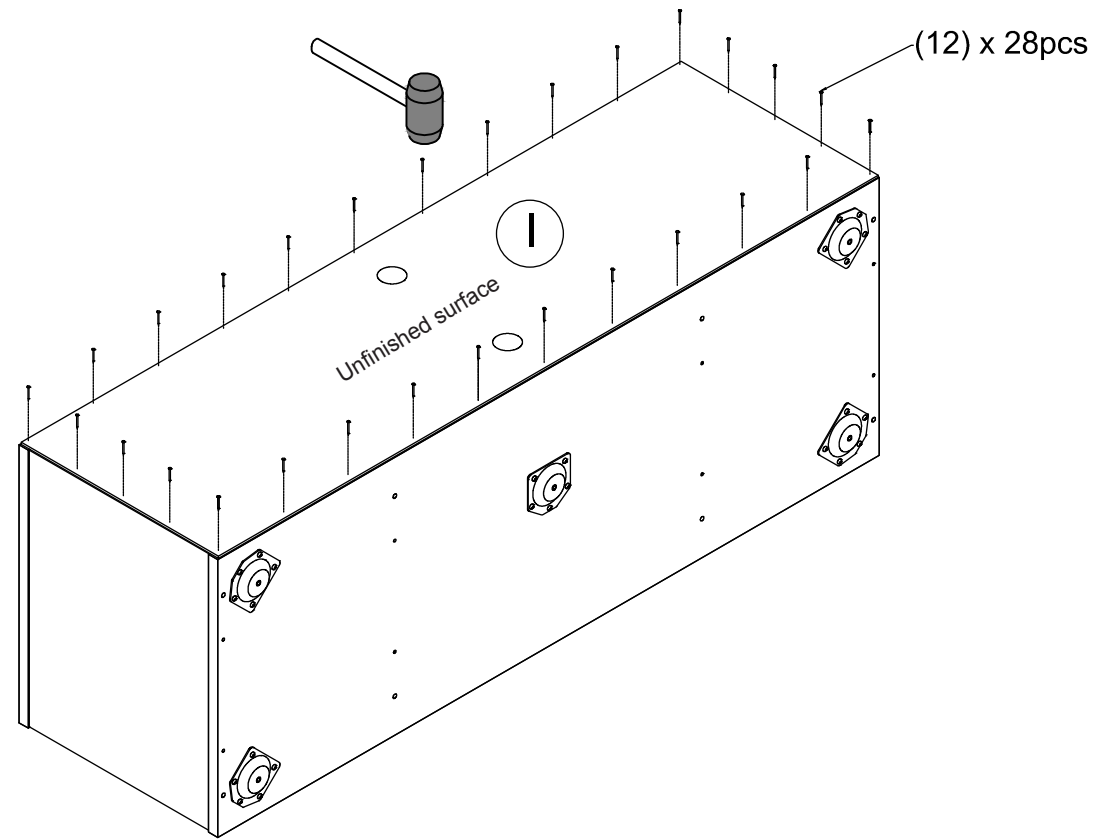
STEP 9



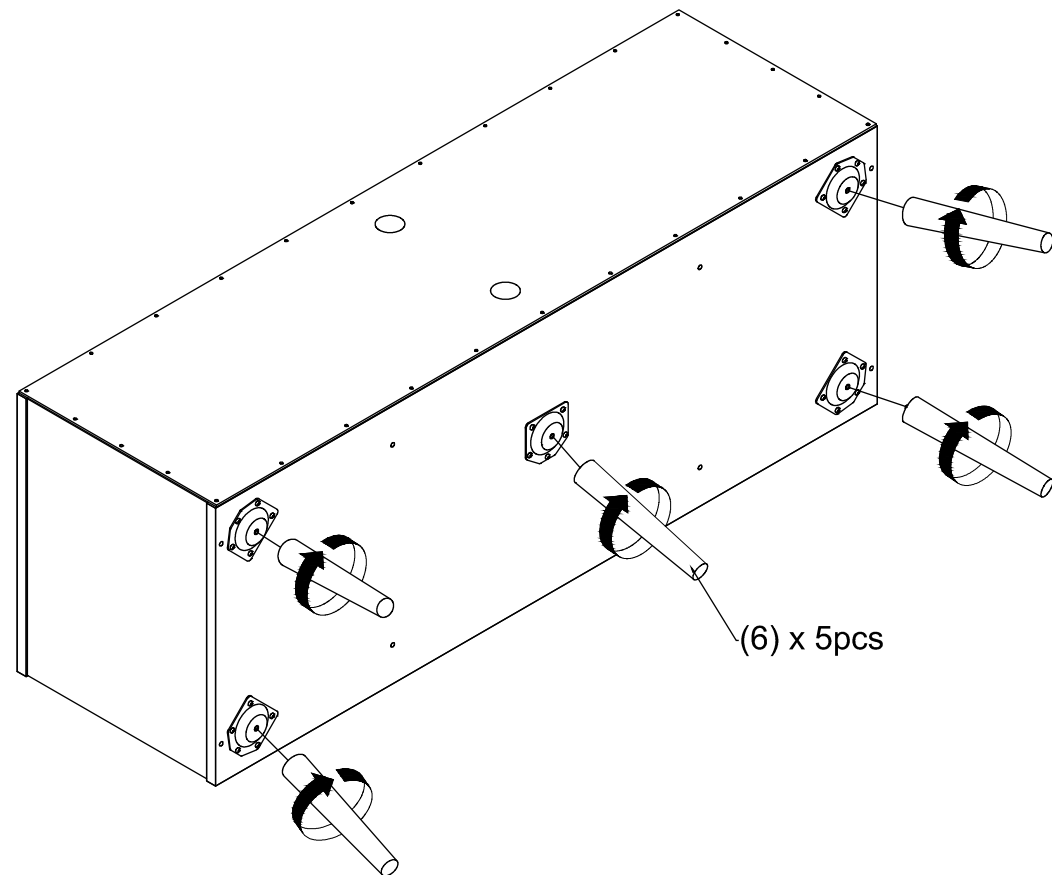
STEP 9.2



STEP 7



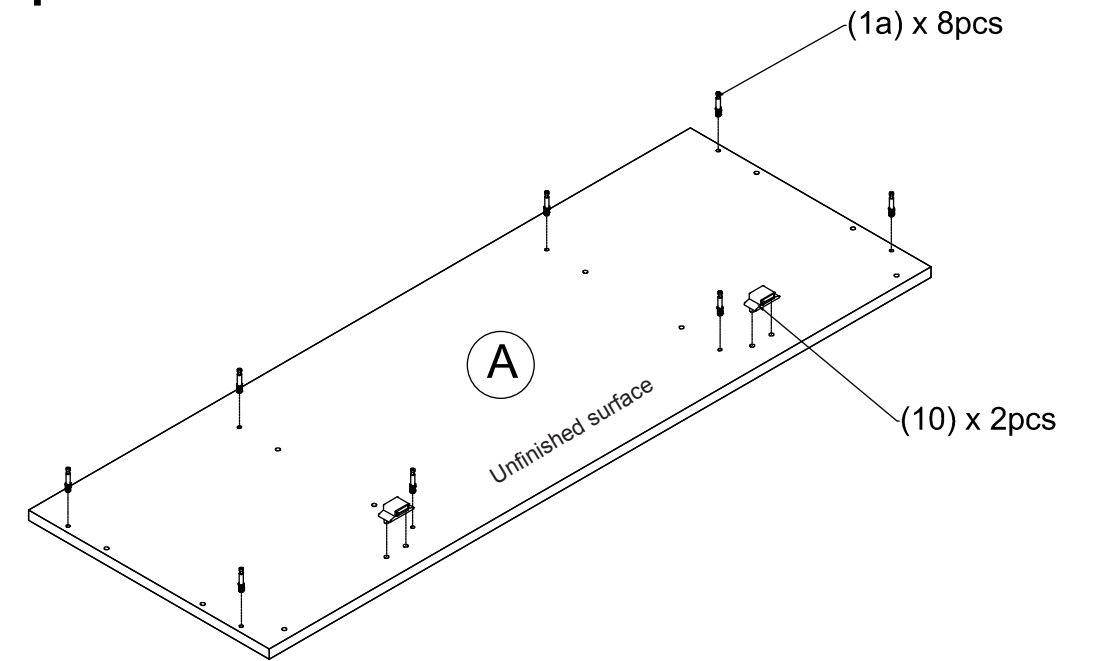
STEP 8



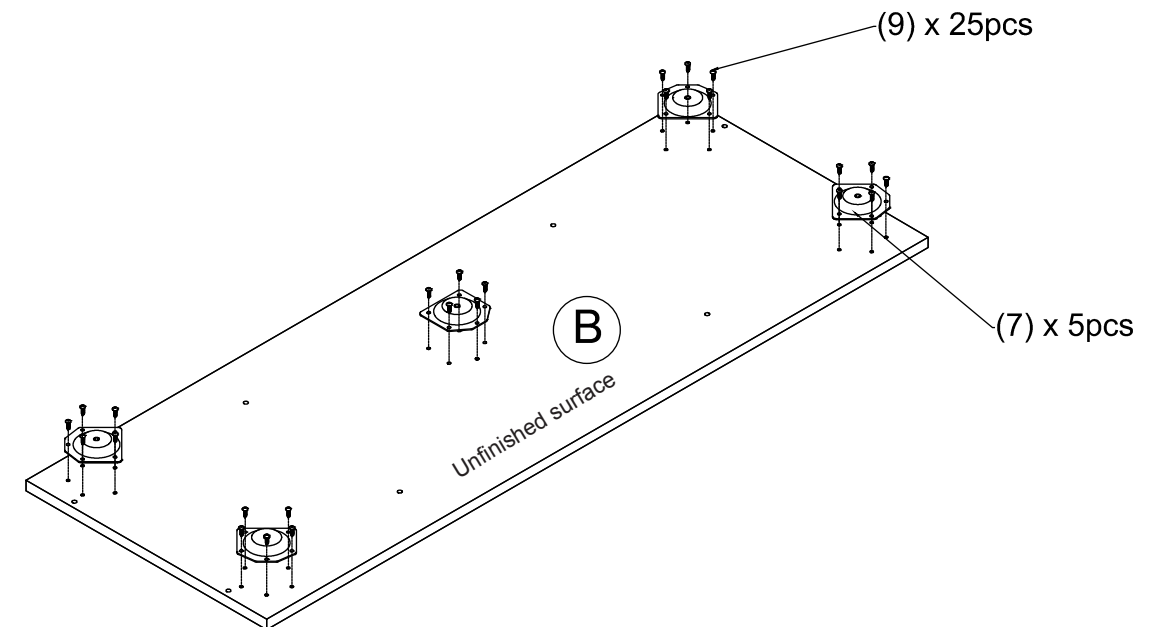
ASSEMBLY INSTRUCTIONS

BEFORE YOU BEGIN, PLEASE READ ASSEMBLY INSTRUCTIONS CAREFULLY, FOLLOW THEM STEP BY STEP.

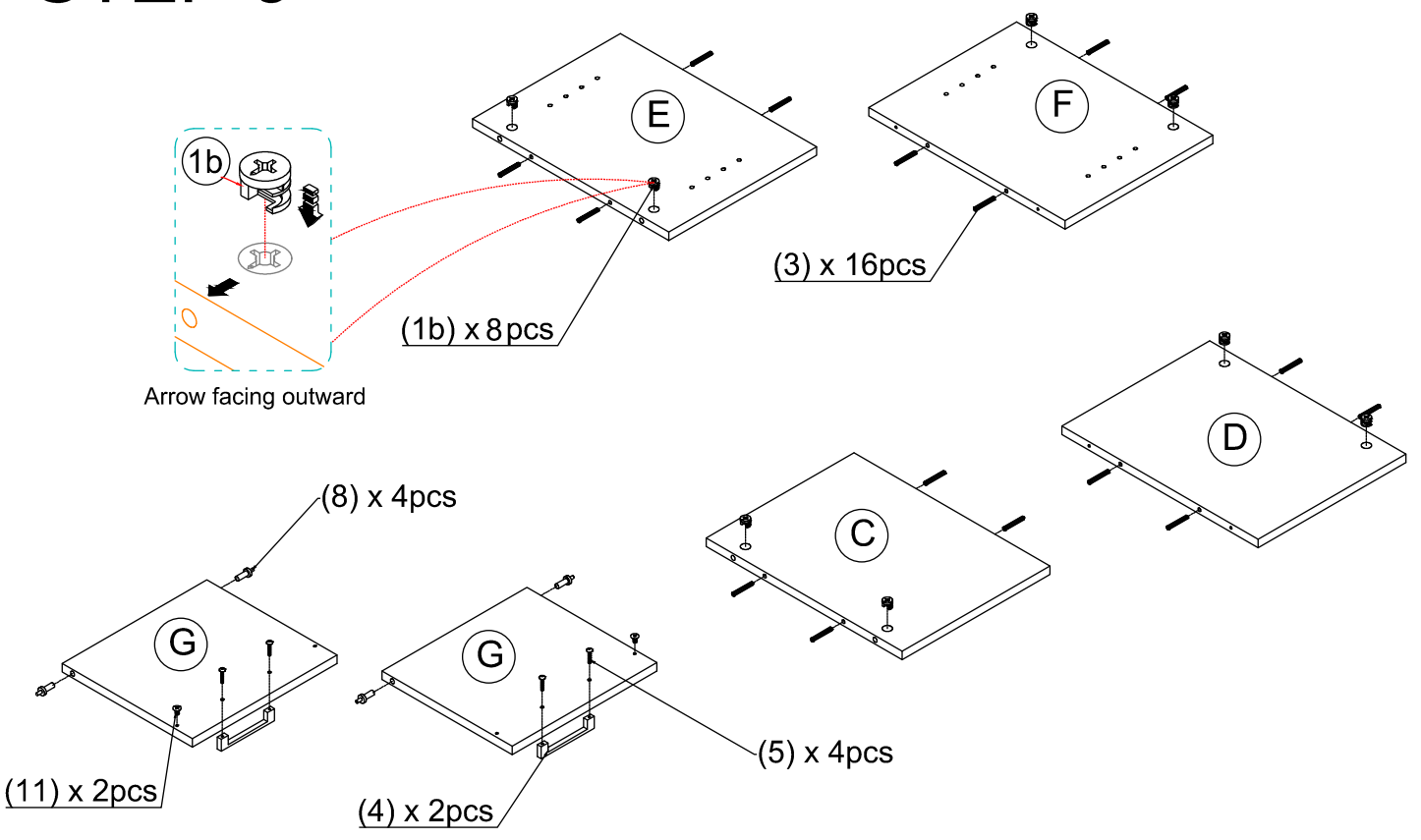
STEP 1



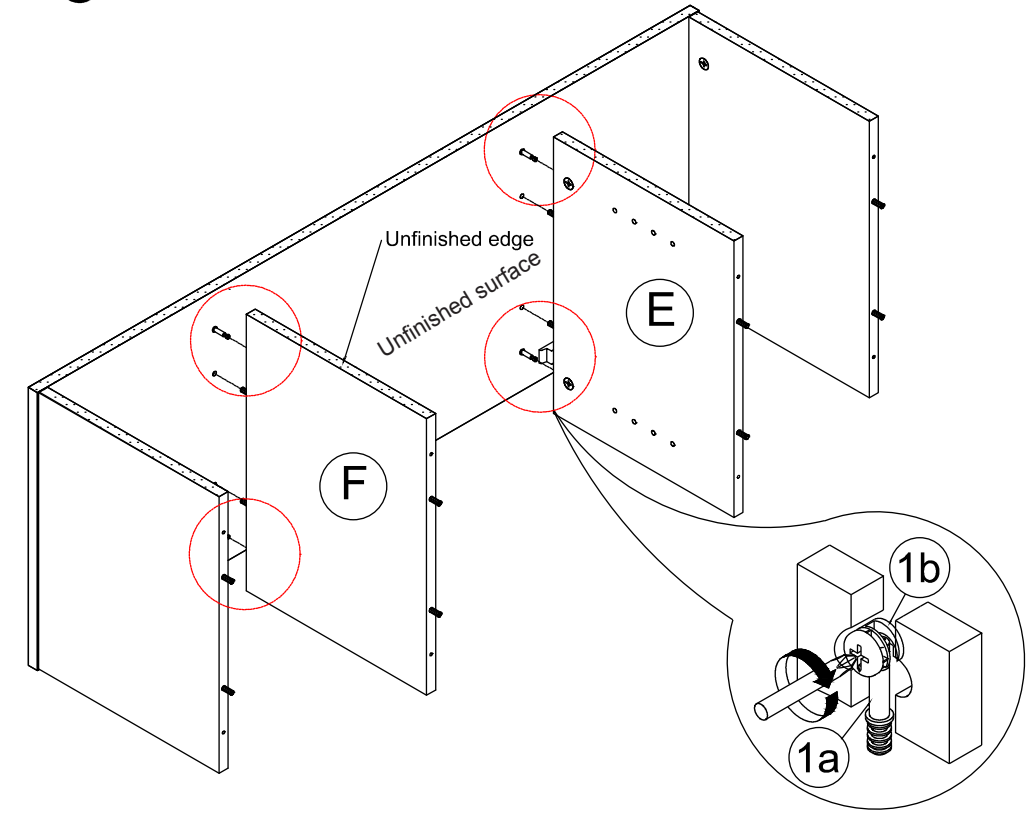
STEP 2



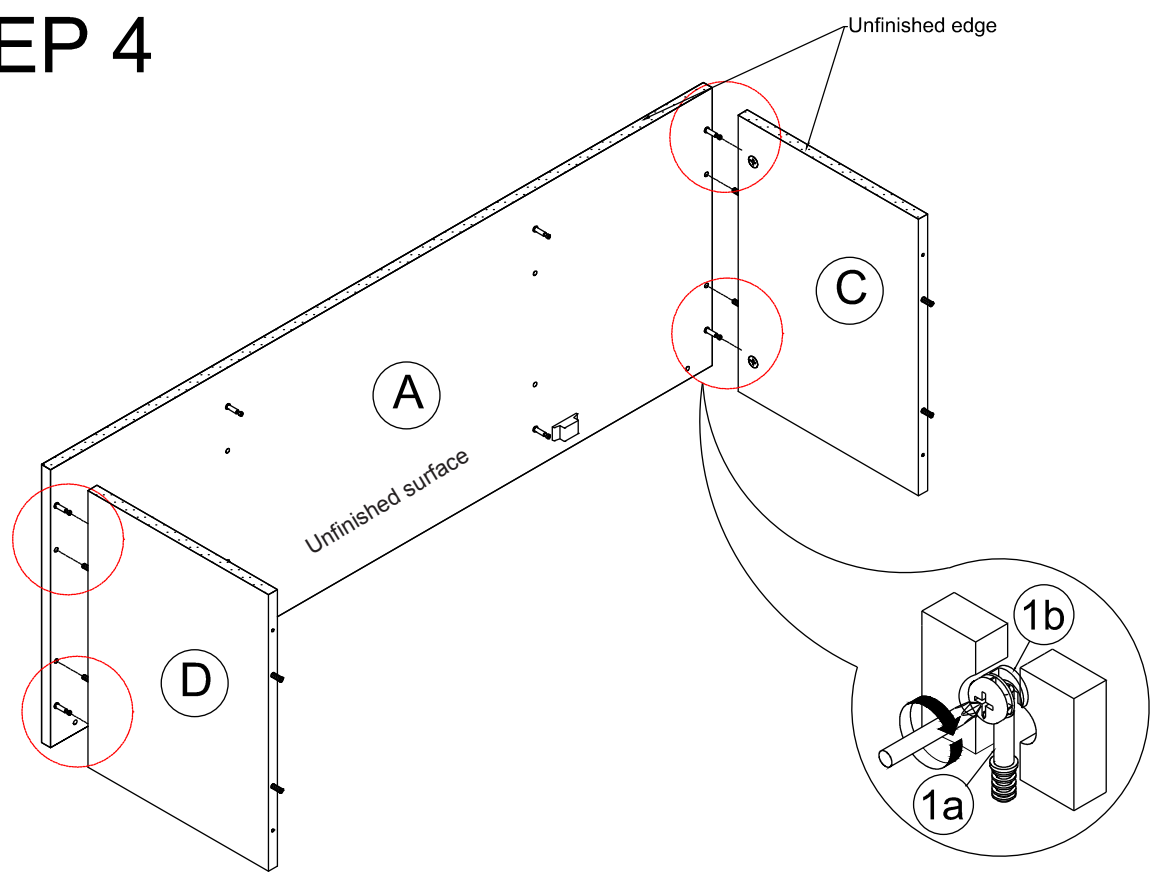
STEP 3



STEP 5



STEP 4



STEP 6

