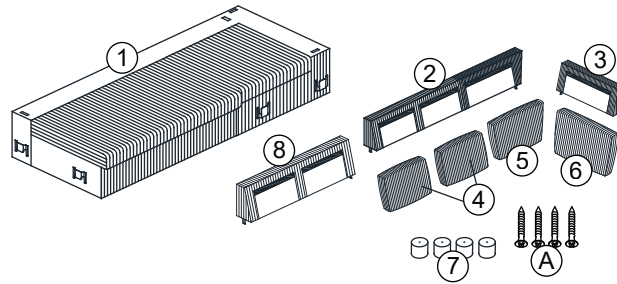


# ASSEMBLY INSTRUCTION

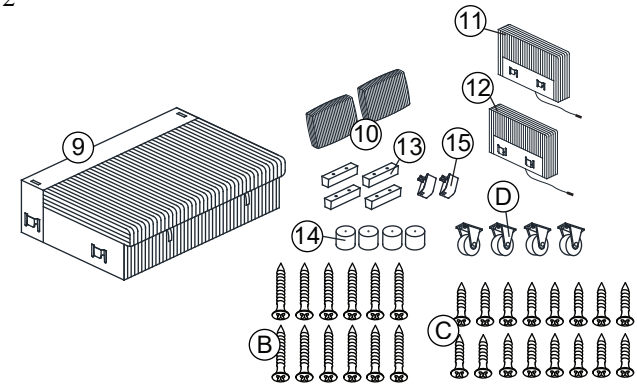
ITEM : RELIEVE SECTIONAL SOFA

NO	PART LIST	QTY
<b>BOX 1 PART LIST</b>		
1	CORNER SEAT	1PC
2	BACK FRAME	1PC
3	BACK FRAME	1PC
4	BACK CUSHION	2PCS
5	BACK CUSHION	1PC
6	BACK CUSHION	1PC
7	LEG	4PCS
8	BACK FRAME	1PC
<b>BOX 2 PART LIST</b>		
9	LOVE SEAT	1PC
10	BACK CUSHION	2PCS
11	SIDE PANEL	1PC
12	SIDE PANEL	1PC
13	LEG	4PCS
14	LEG	4PCS
15	USB PLUG	2PCS
<b>BOX 3 PART LIST</b>		
16	CHAISE SEAT	1PC
17	BACK FRAME	1PC
18	BACK CUSHION	1PC
19	LEG	2PCS
20	LEG	3PCS
21	PILLOW	3PCS
ITEM	HARDWARE	QTY
<b>BOX 1 HARDWARE</b>		
A	CSK SCREW M4 x 45mm	4PCS
<b>BOX 2 HARDWARE</b>		
B	CSK SCREW M4 x 45mm	12PCS
C	CSK SCREW M3.5 x 20mm	16PCS
D	WHEEL	4PCS
<b>BOX 3 HARDWARE</b>		
E	CSK SCREW M4 x 45mm	7PCS

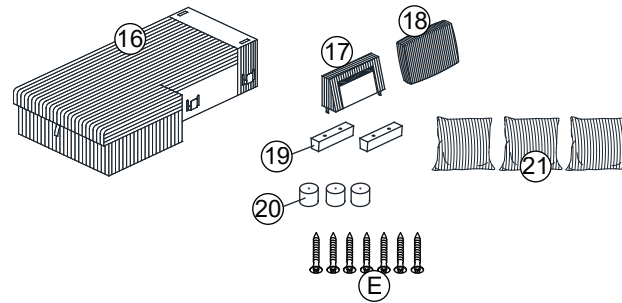
STEP 1



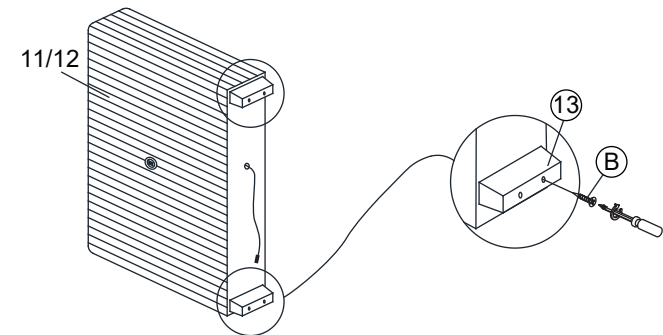
STEP 2



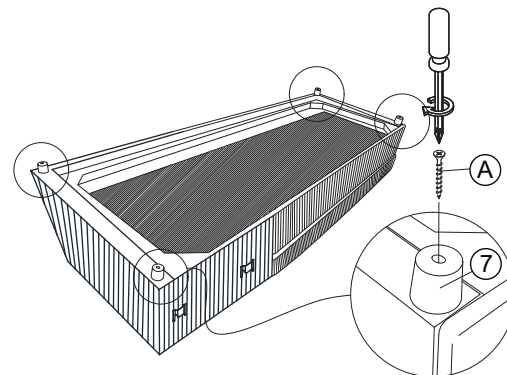
STEP 3



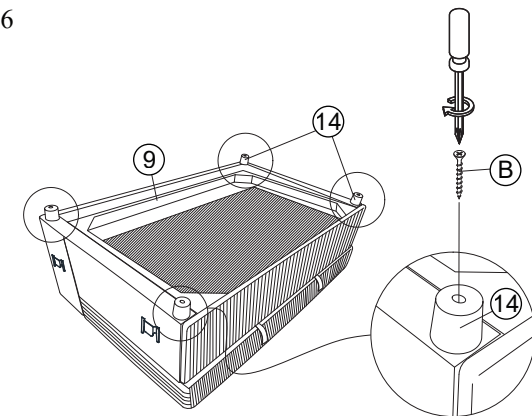
STEP 4



STEP 5

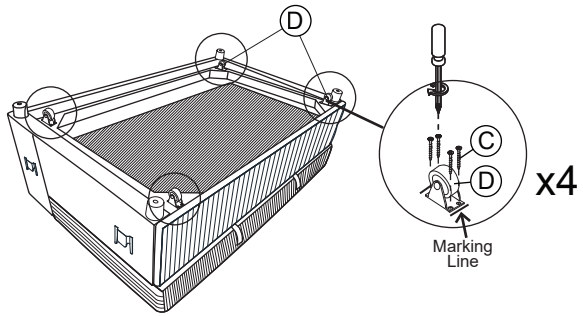


STEP 6

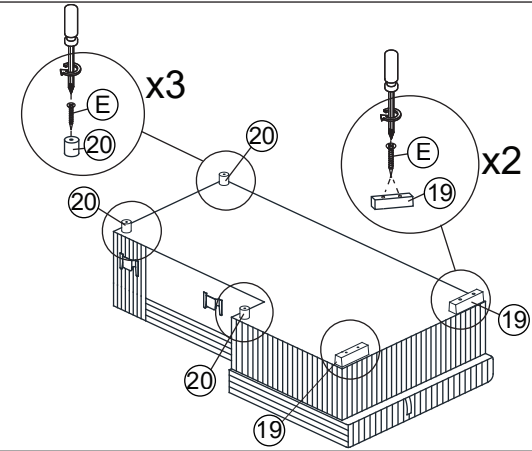


# ASSEMBLY INSTRUCTION

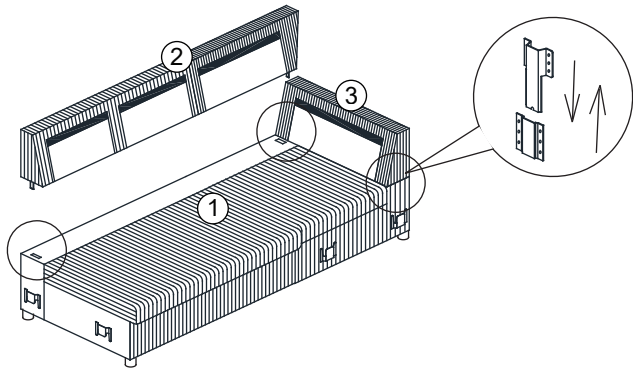
STEP 7



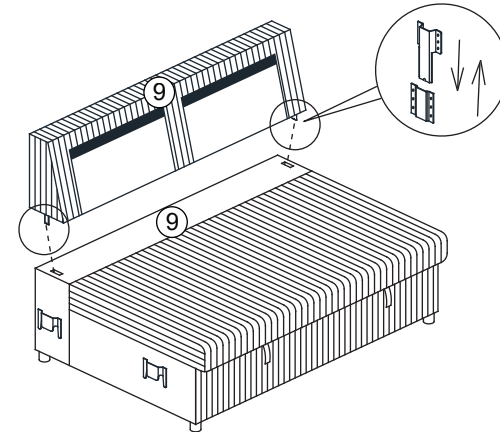
STEP 8



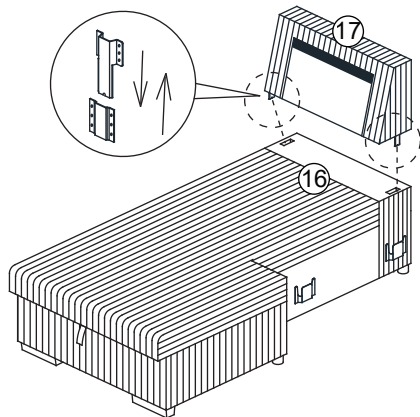
STEP 9



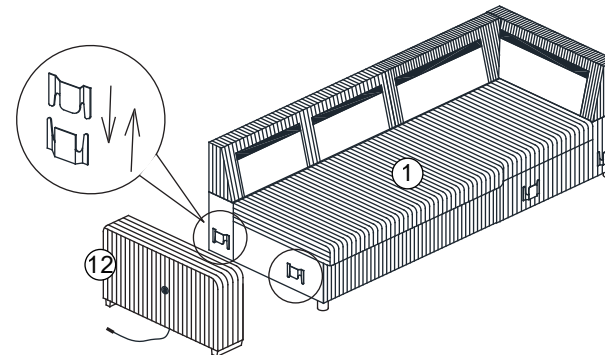
STEP 10



STEP 11

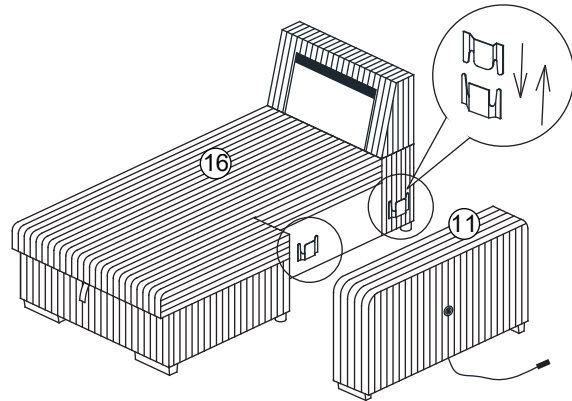


STEP 12

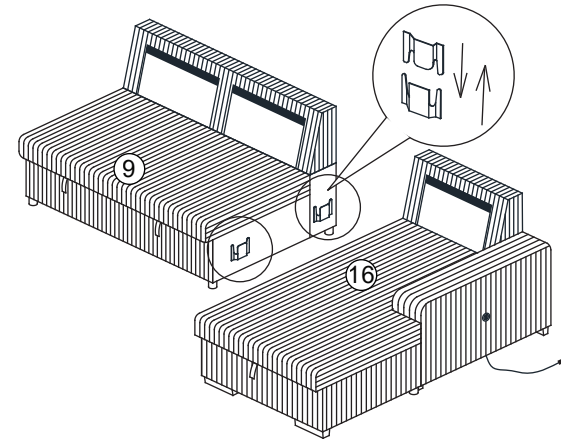


# ASSEMBLY INSTRUCTION

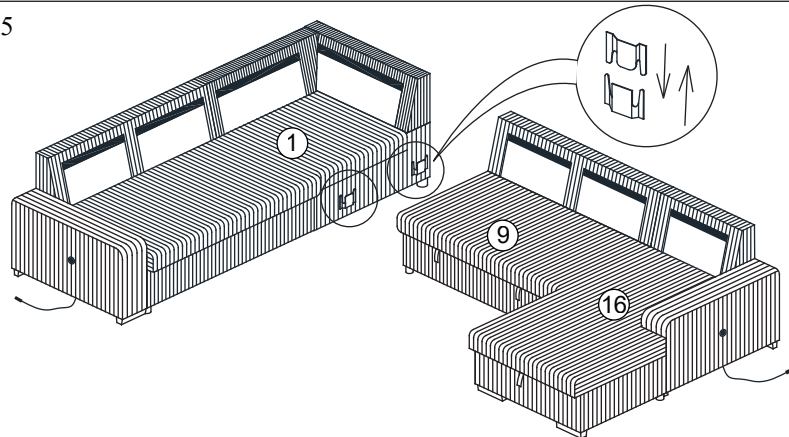
STEP 13



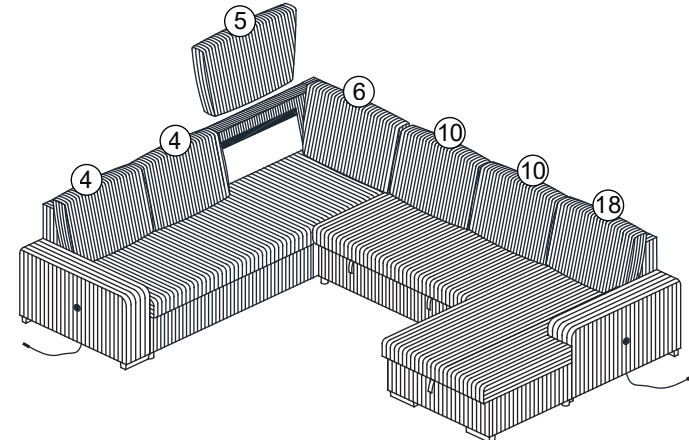
STEP 14



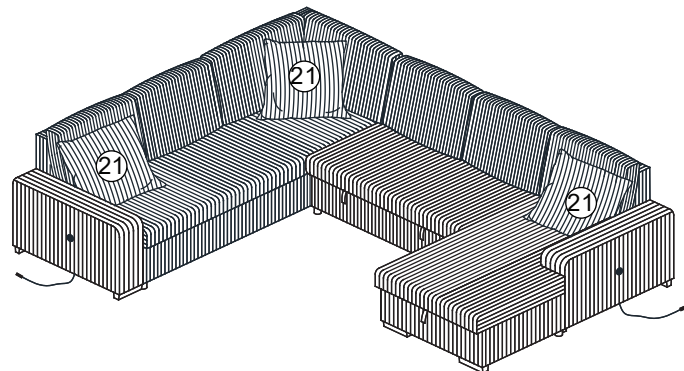
STEP 15



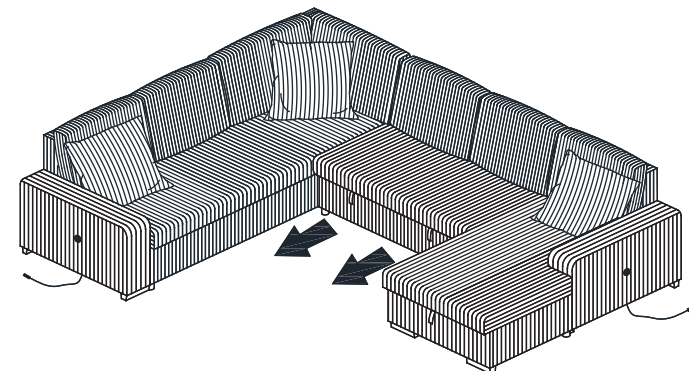
STEP 16



STEP 17

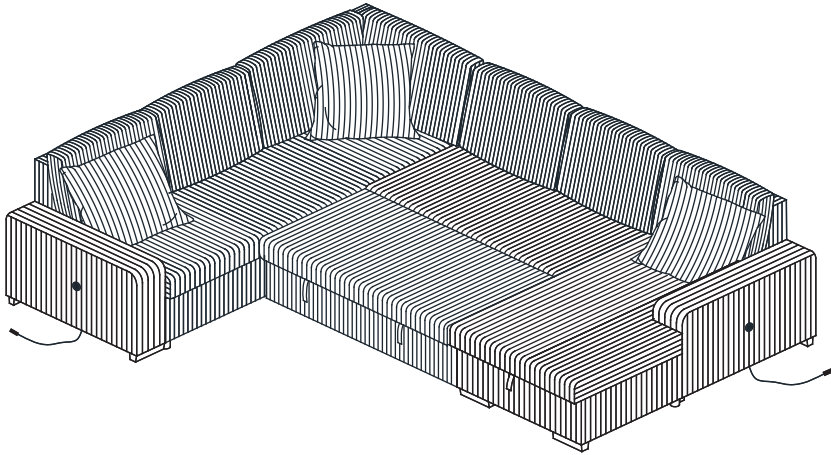


STEP 18

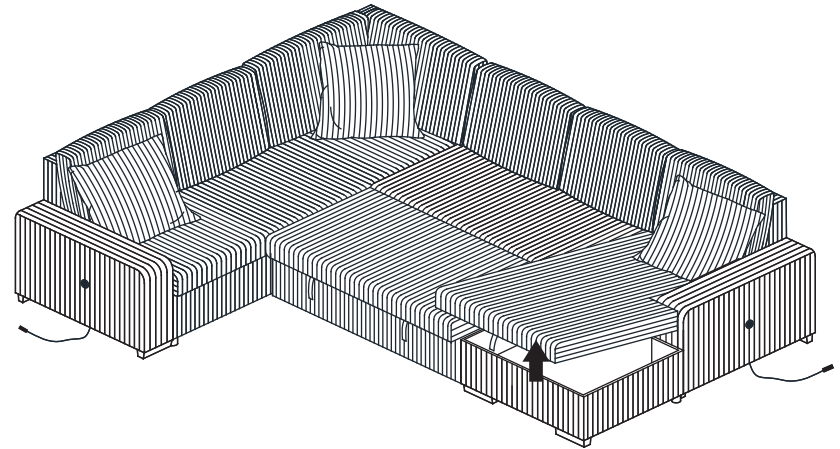


# ASSEMBLY INSTRUCTION

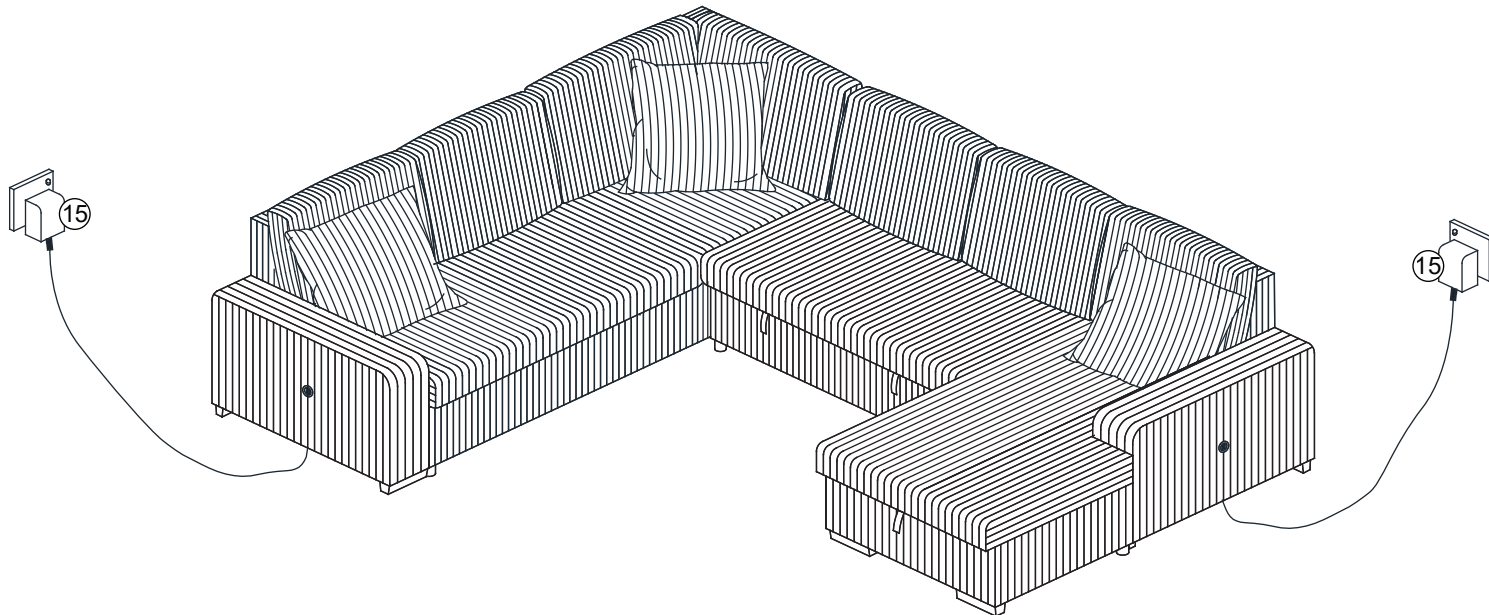
STEP 19



STEP 20



STEP 21



ASSEMBLY  
COMPLETE