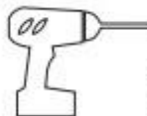
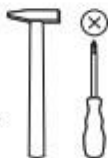
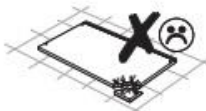
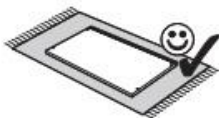
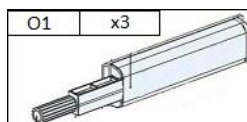
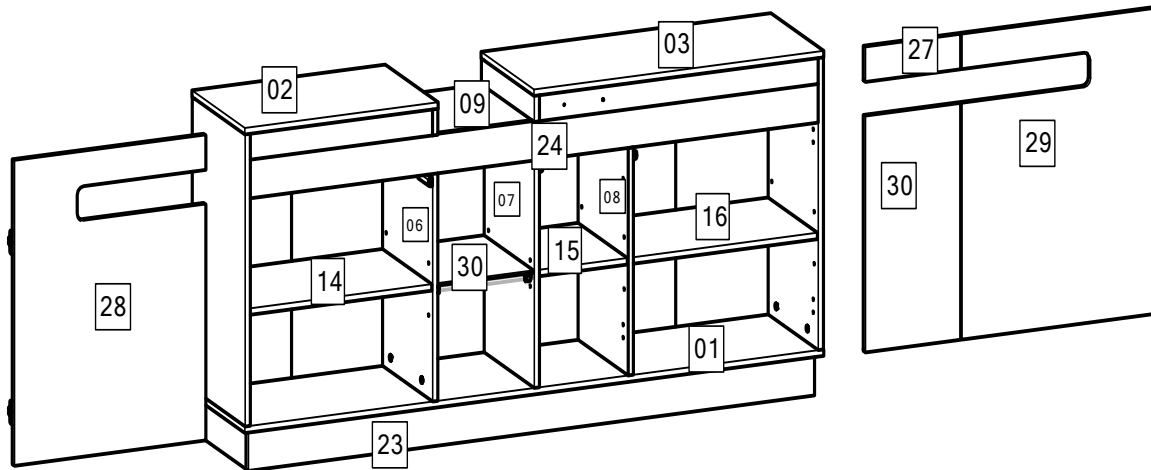


EN- Please do not assemble the furniture if its parts are damaged.

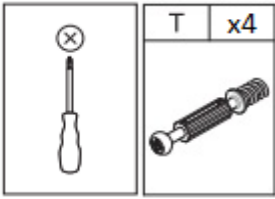
Before assembling, individual elements of the furniture should be carefully inspected. In case of visible damage, it should be reported along with photographic documentation, to analyse the complaint and take appropriate action.



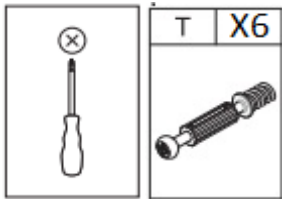
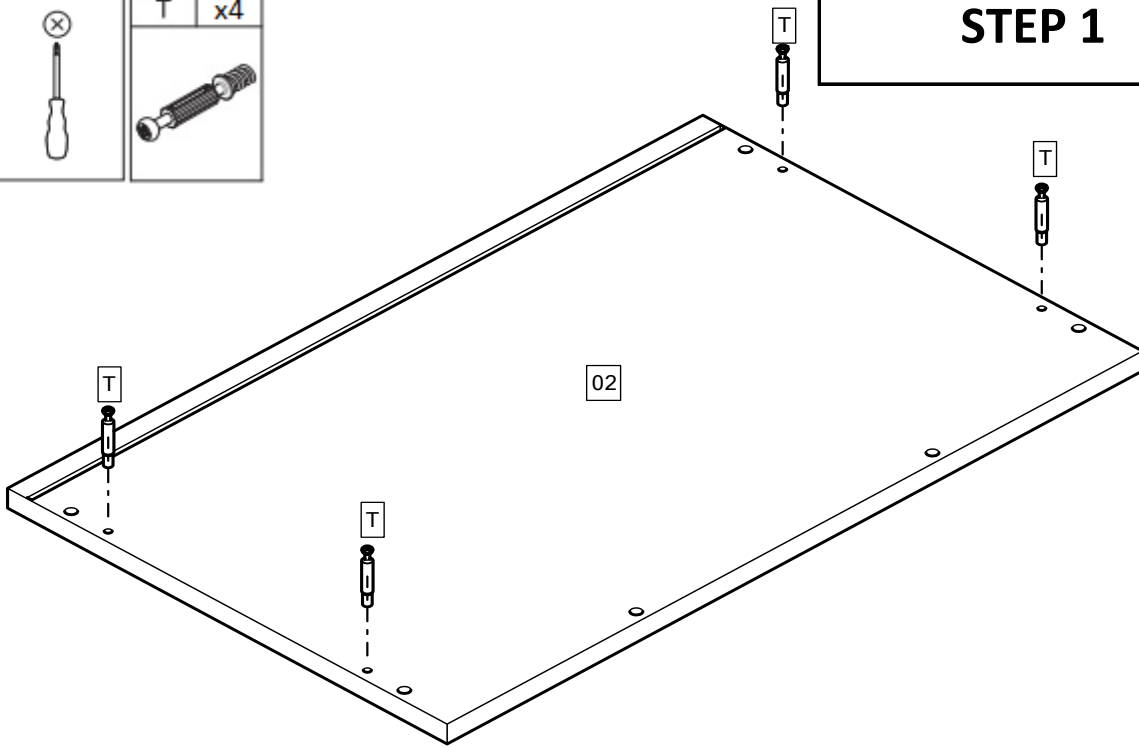


ZG x2	ZT x2	ZP x4	ZR x4	C x4
B1 x4	Q x1	PP x12	BP x15	G x15
W3 x2	W1 x12	W2 x9	K x57	Z x4
 4x25	 4x16	 3,5x16	 8x35	 Ø14
Z1 x20	SP1 x21	SP x21	M x43	T x43
 Ø20	 3x18			

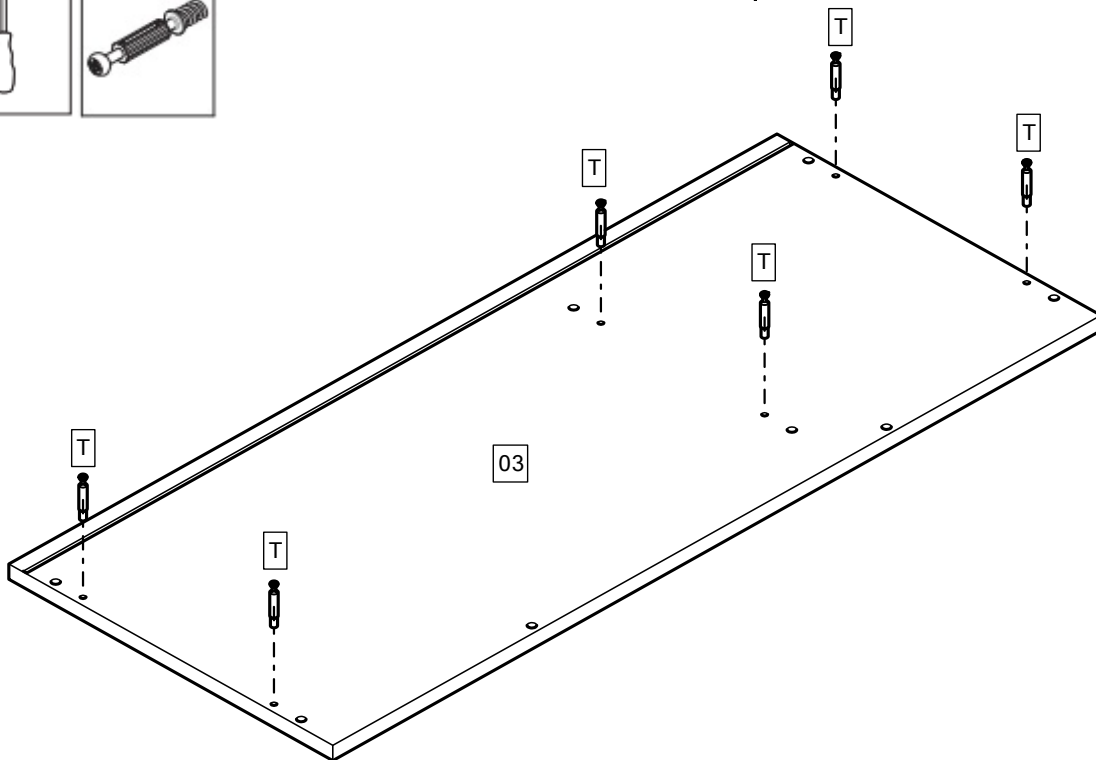
No	L (inch)	W (inch)	qnt
1	708.66	149.61	1
2	236.61	149.61	1
3	354.72	149.61	1
4	282.68	149.61	1
5	282.68	149.61	1
6	282.68	149.61	1
7	282.68	149.61	1
8	282.68	141.73	1
9	142.13	118.11	1
10	134.65	39.37	1
11	134.65	39.37	1
12	223.23	25.20	1
13	341.34	25.20	1
14	222.83	139.76	1
15	139.76	108.27	1
16	225.98	139.76	1
17	288.19	115.94	1
18	288.19	115.94	1
19	288.19	114.57	1
20	288.19	114.57	1
21	288.19	114.57	1
22	256.69	124.41	1
23	692.91	39.37	1
24	695.28	37.40	1
25	134.65	39.37	1
26	134.65	39.37	1
27	116.54	33.46	1
28	295.28	234.25	1
29	295.28	234.25	1
30	228.35	116.54	1



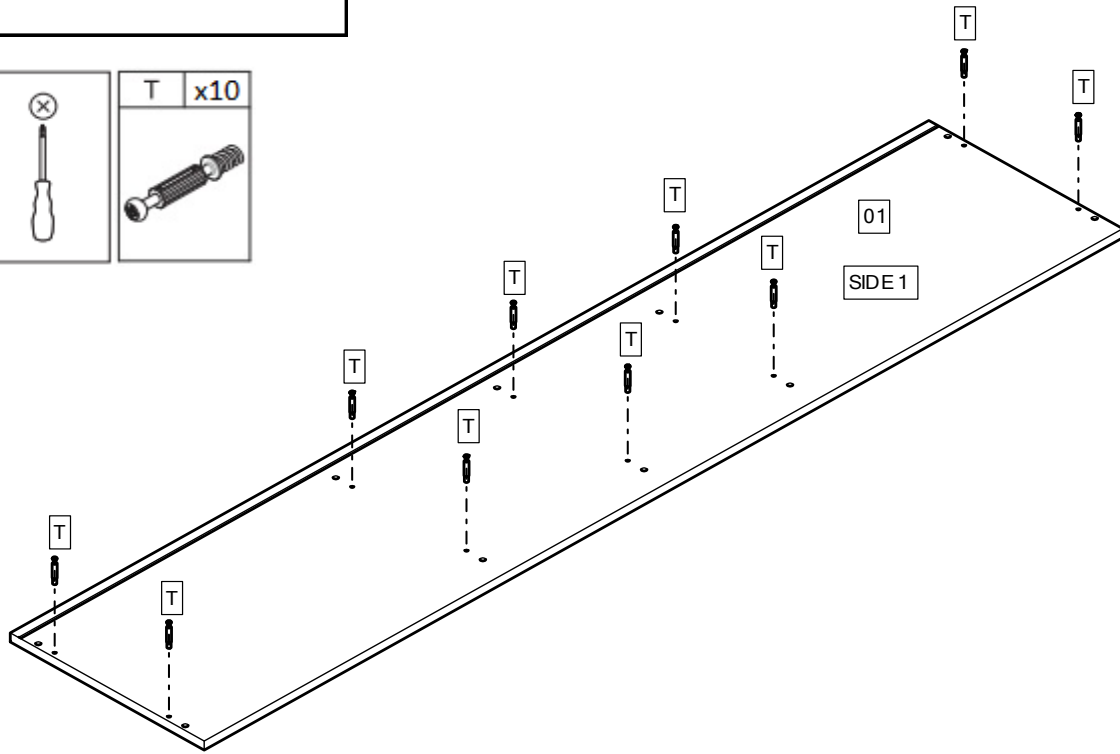
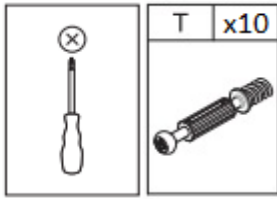
STEP 1



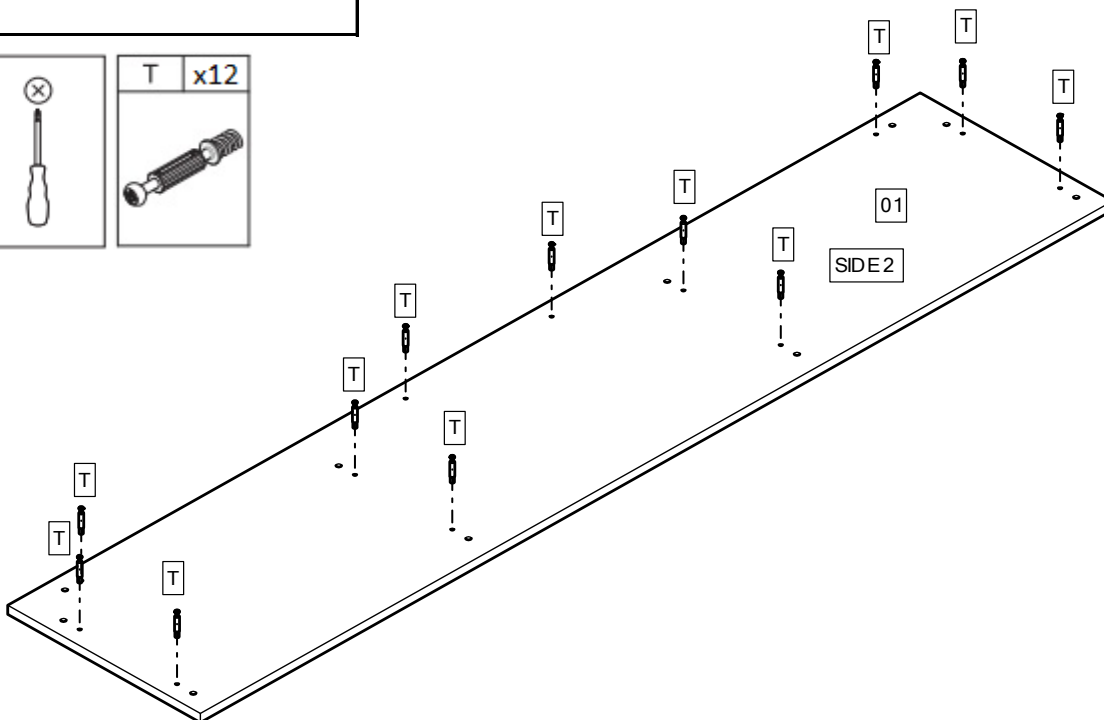
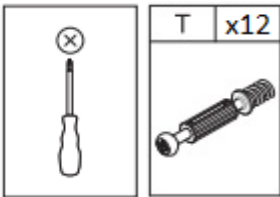
STEP 2

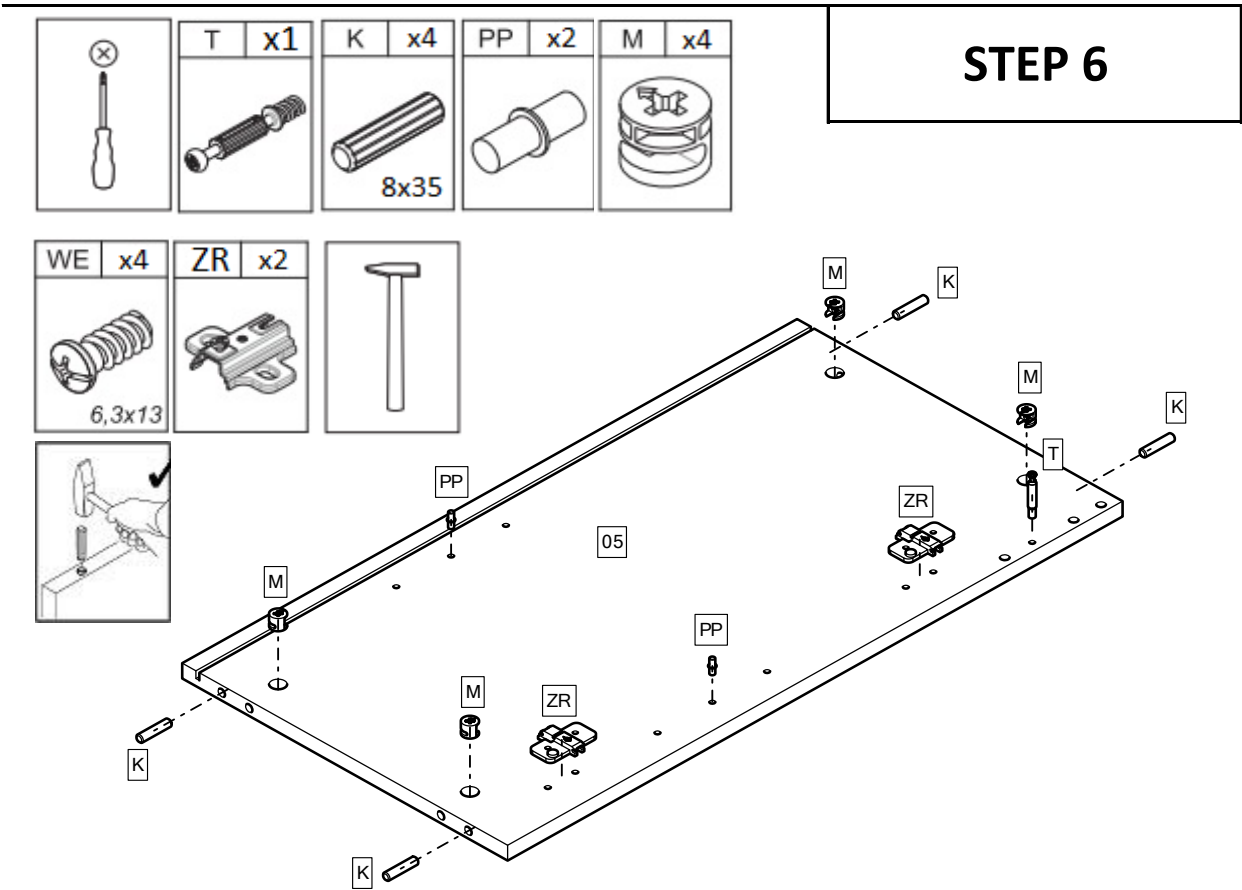
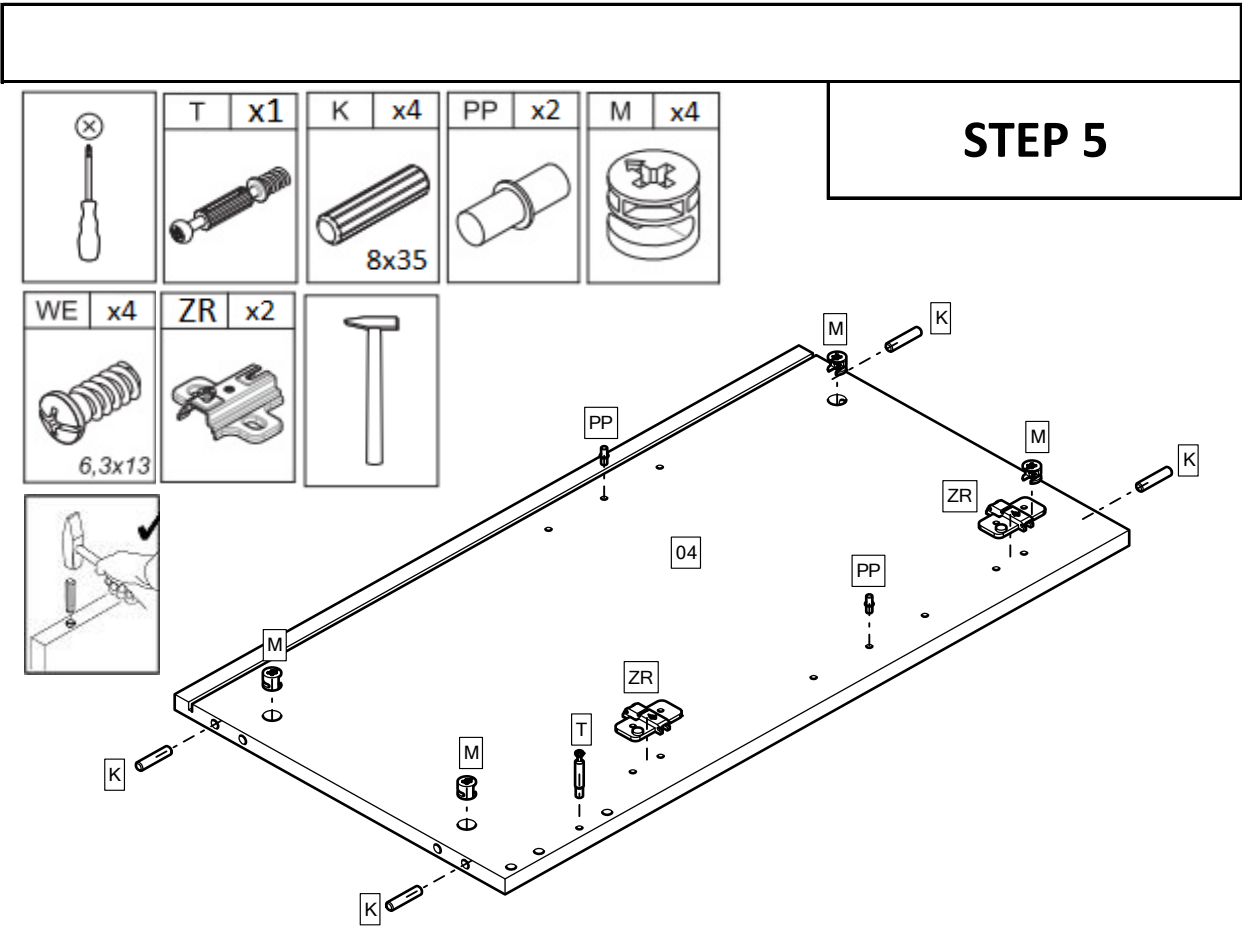


STEP 3








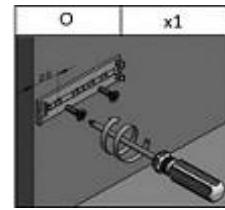
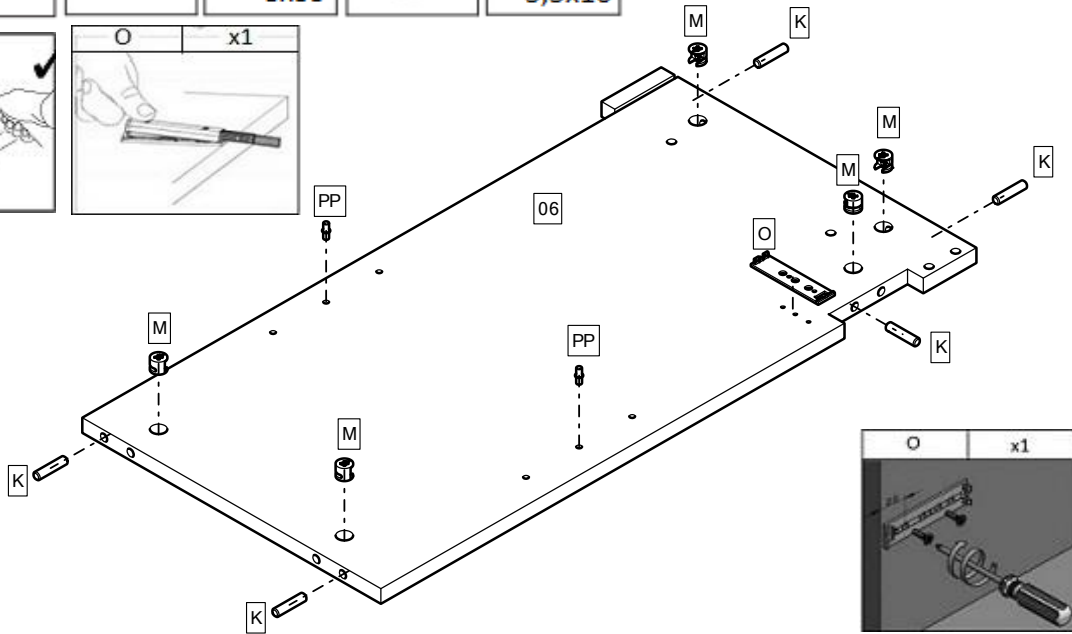
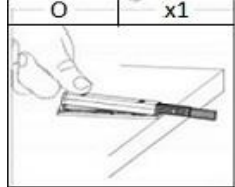
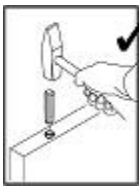
STEP 4










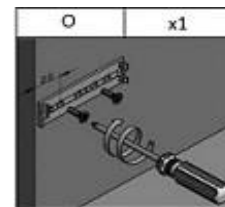
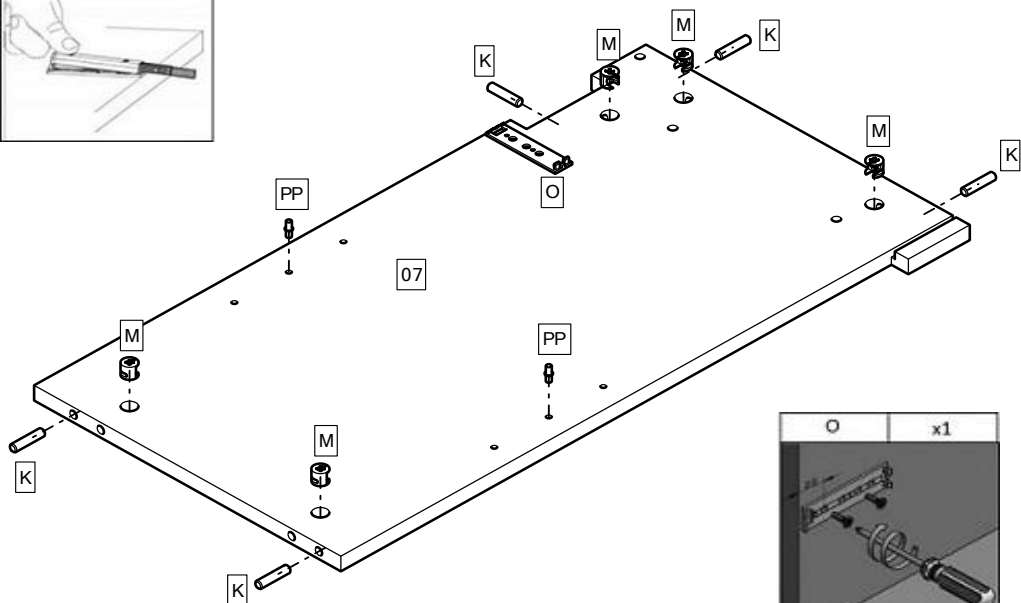
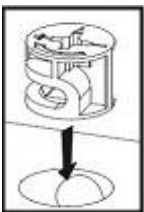
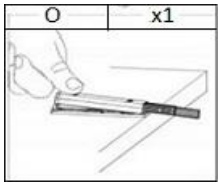
STEP 7

	PP x2	K x5	M x5	W2 x3
				
		8x35		3,5x16

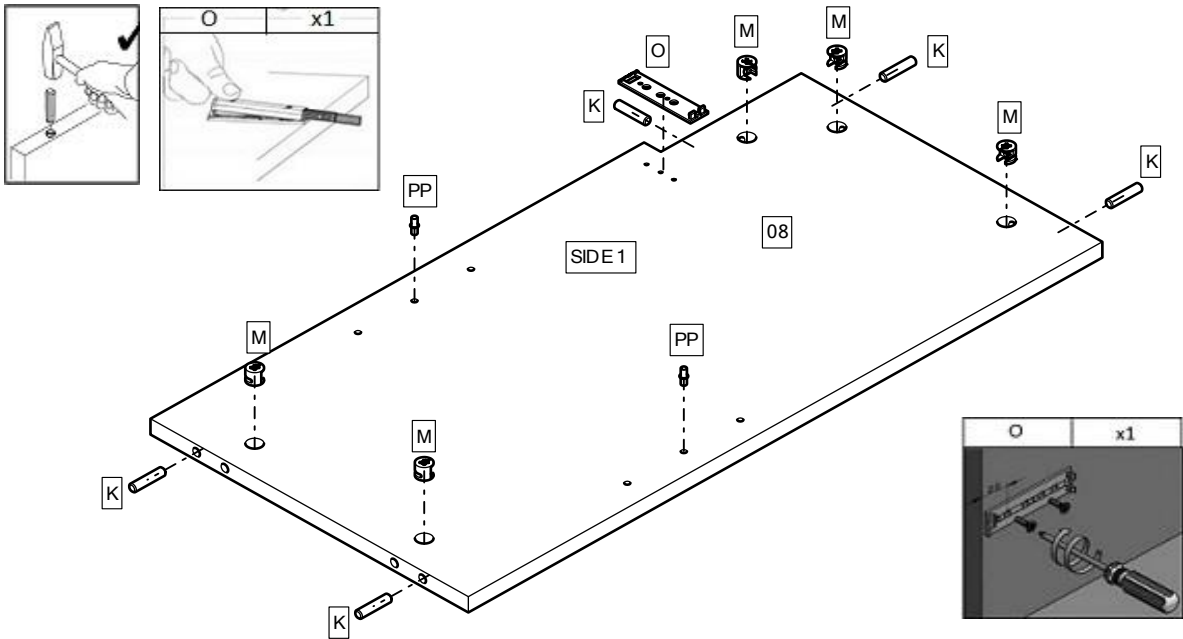
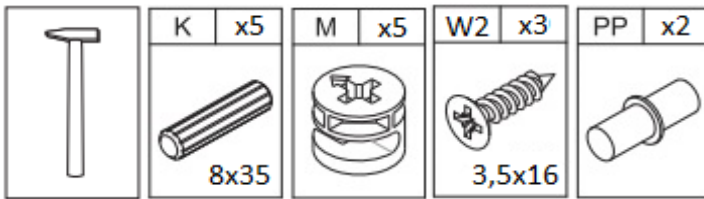


STEP 8

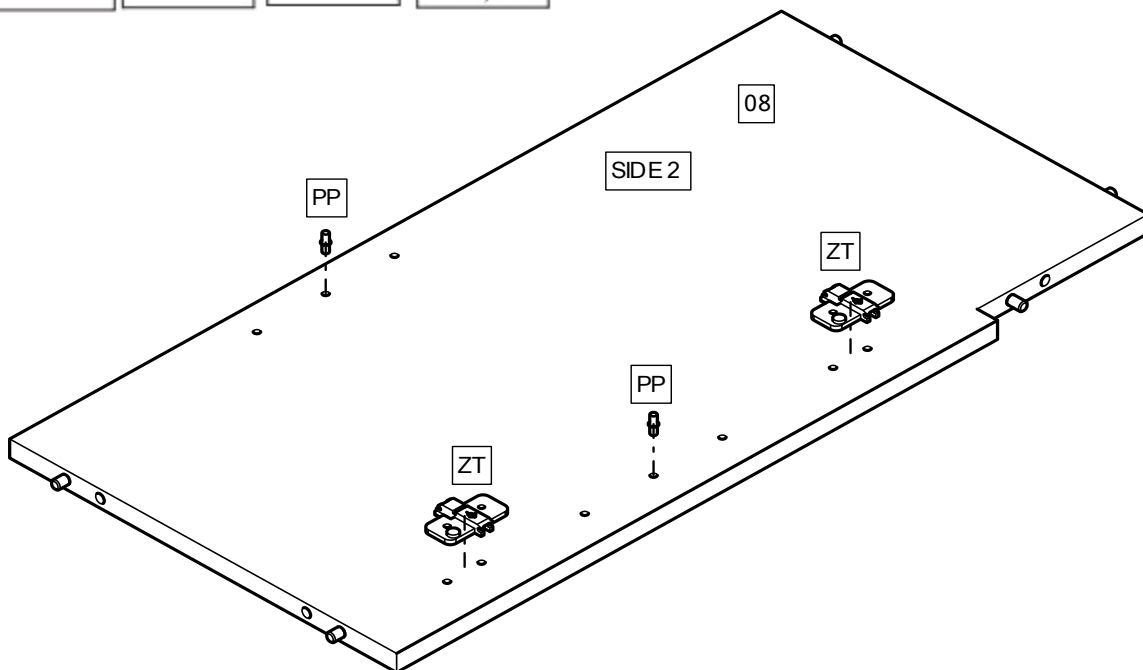
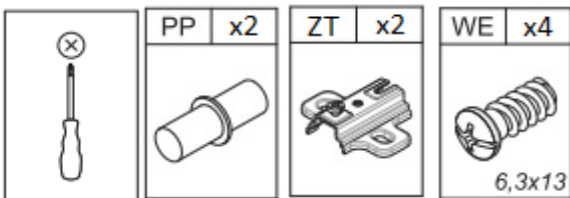
	PP x2	K x5	W2 x3	M x5
				
		8x35	3,5x16	



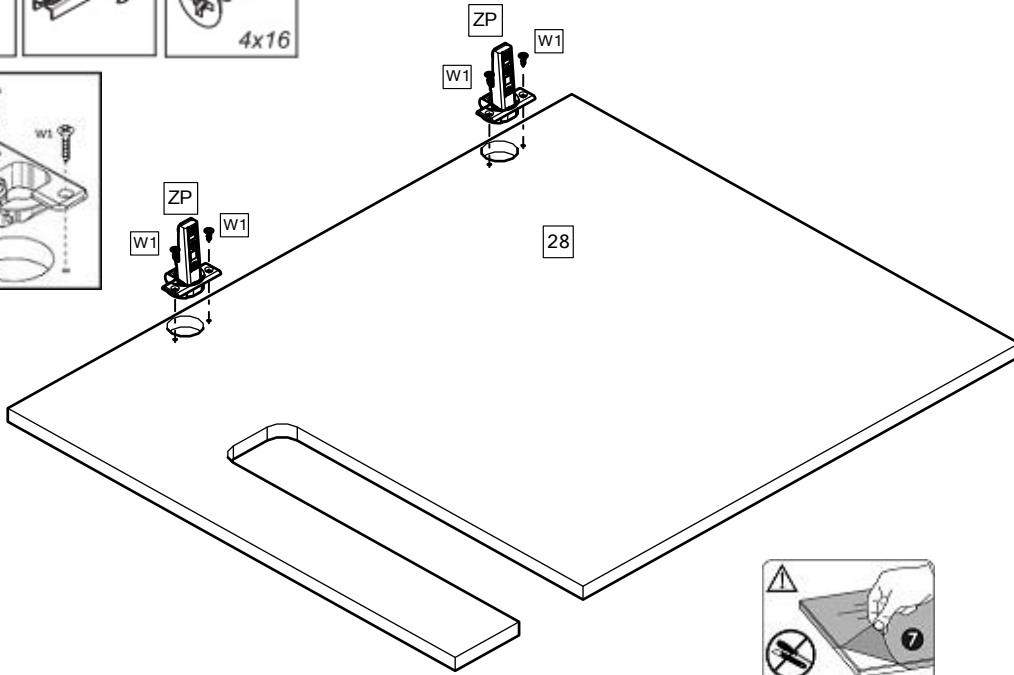
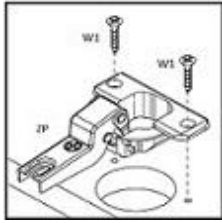
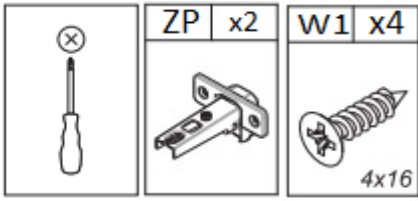
STEP 9



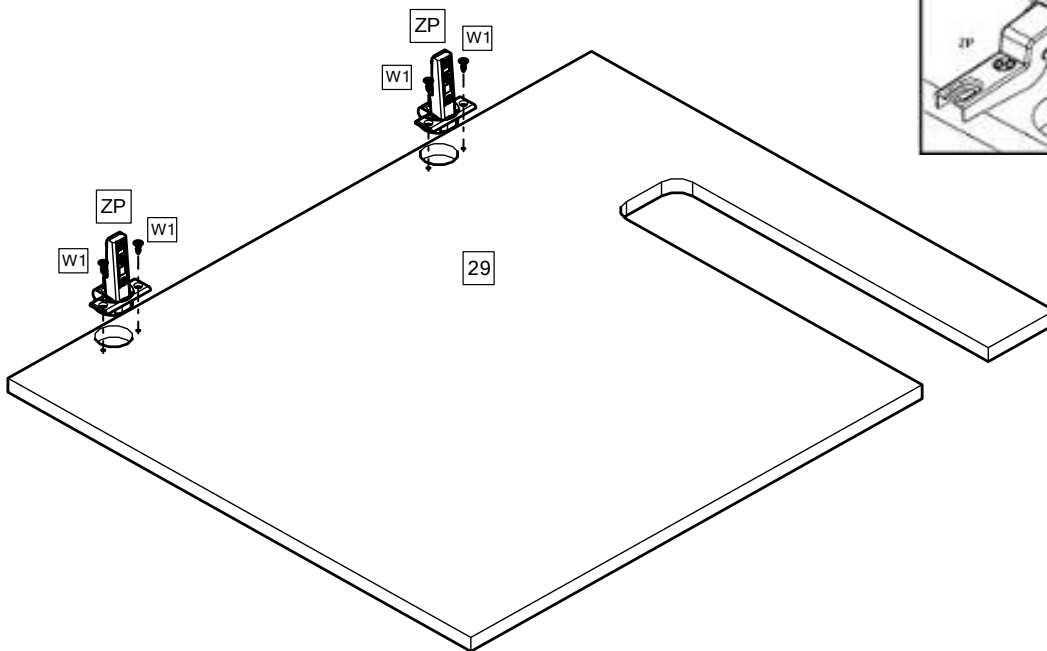
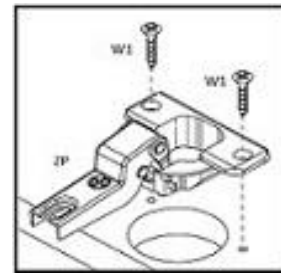
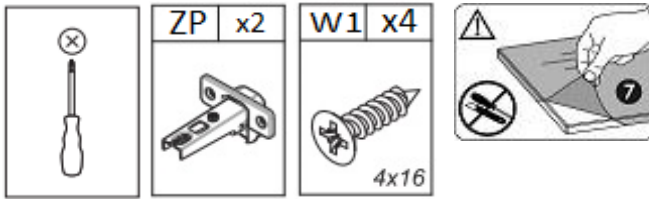
STEP 10



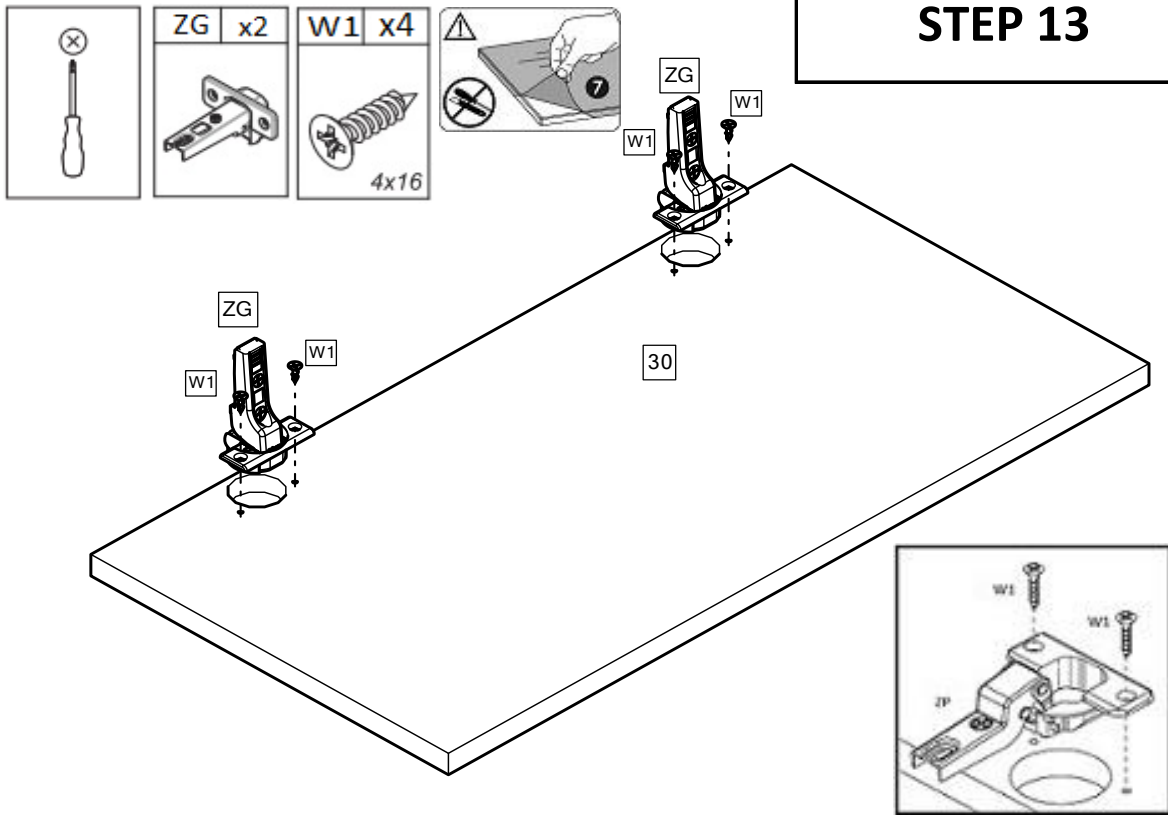
STEP 11



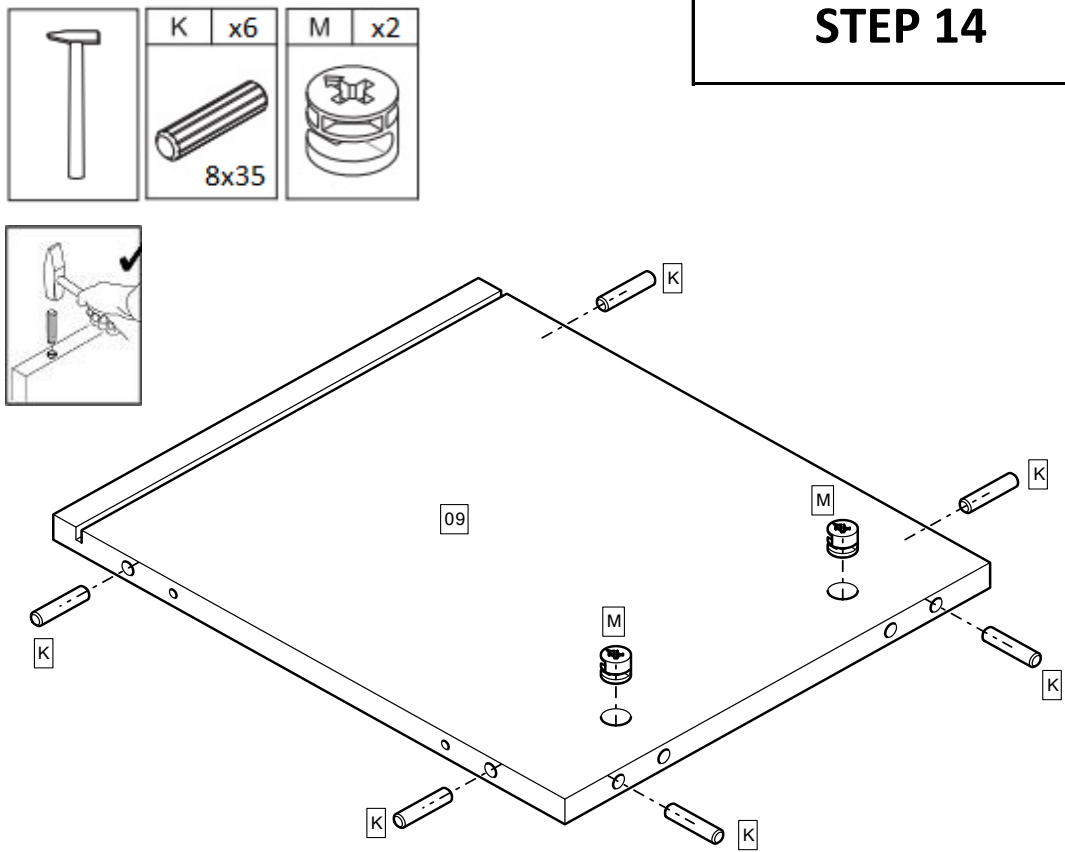
STEP 12



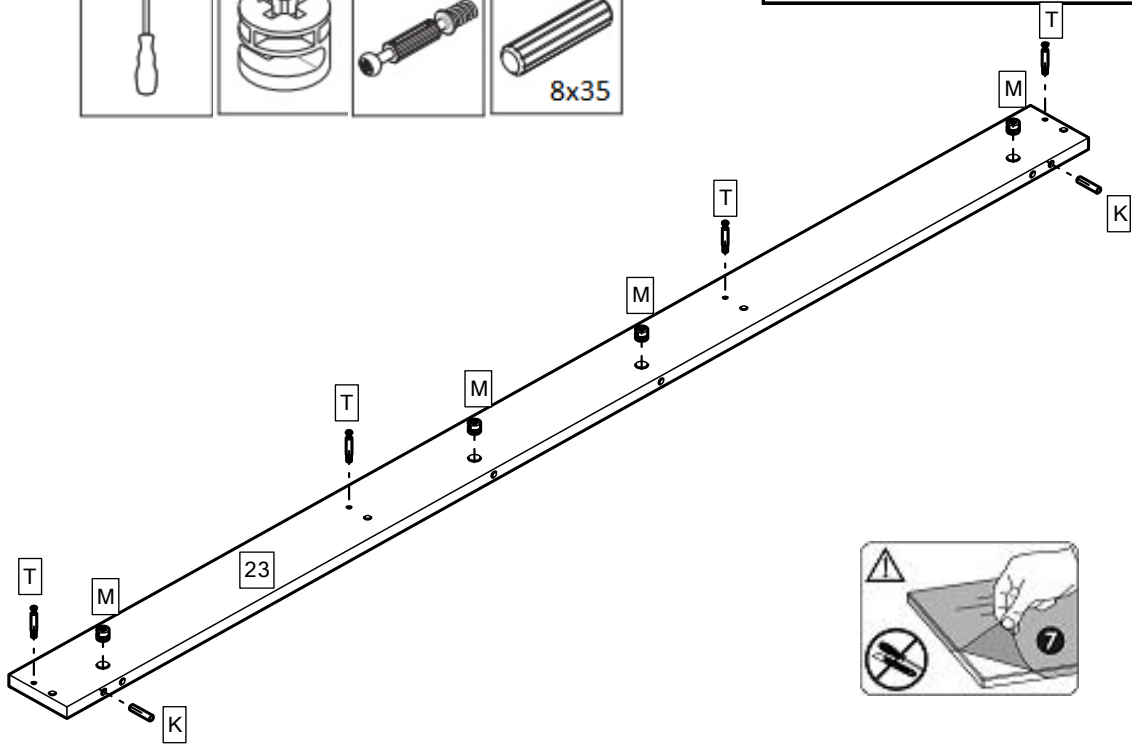
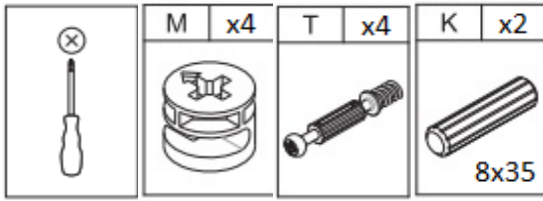
STEP 13



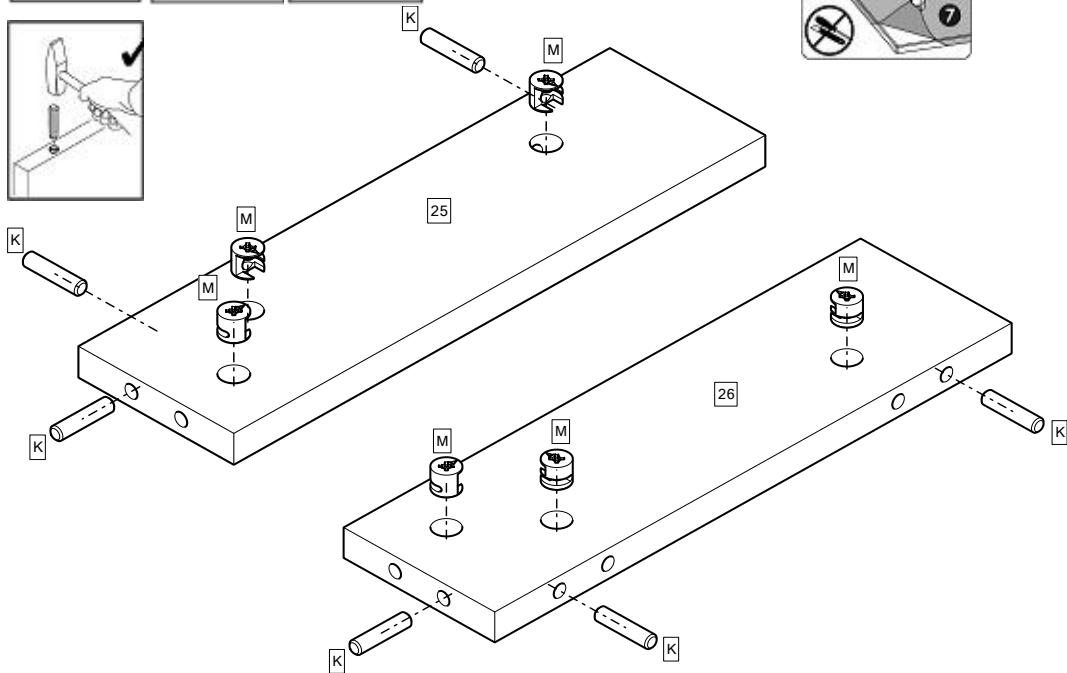
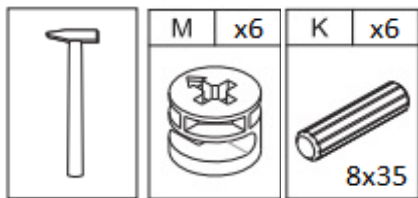
STEP 14



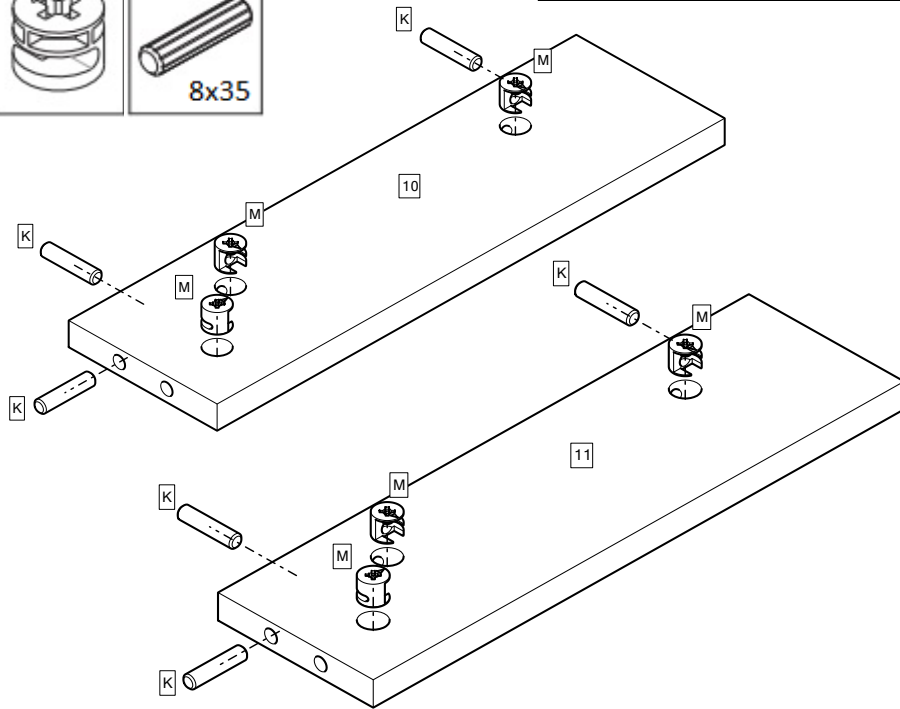
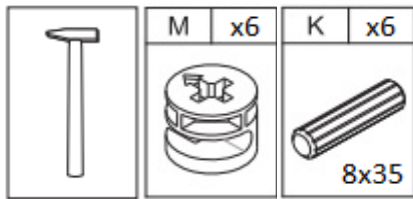
STEP 15



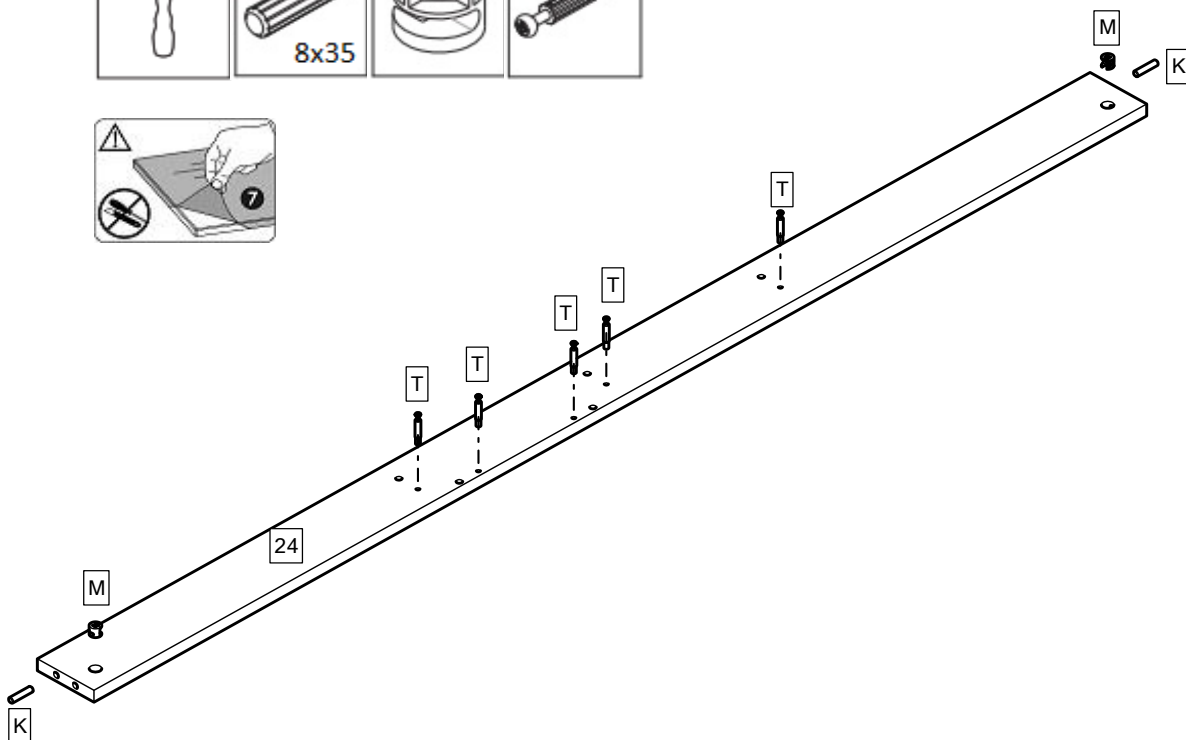
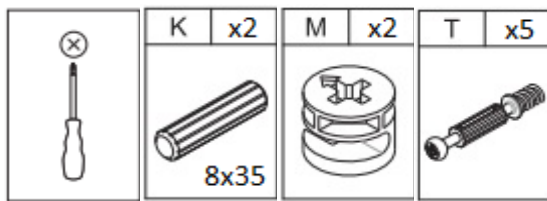
STEP 16



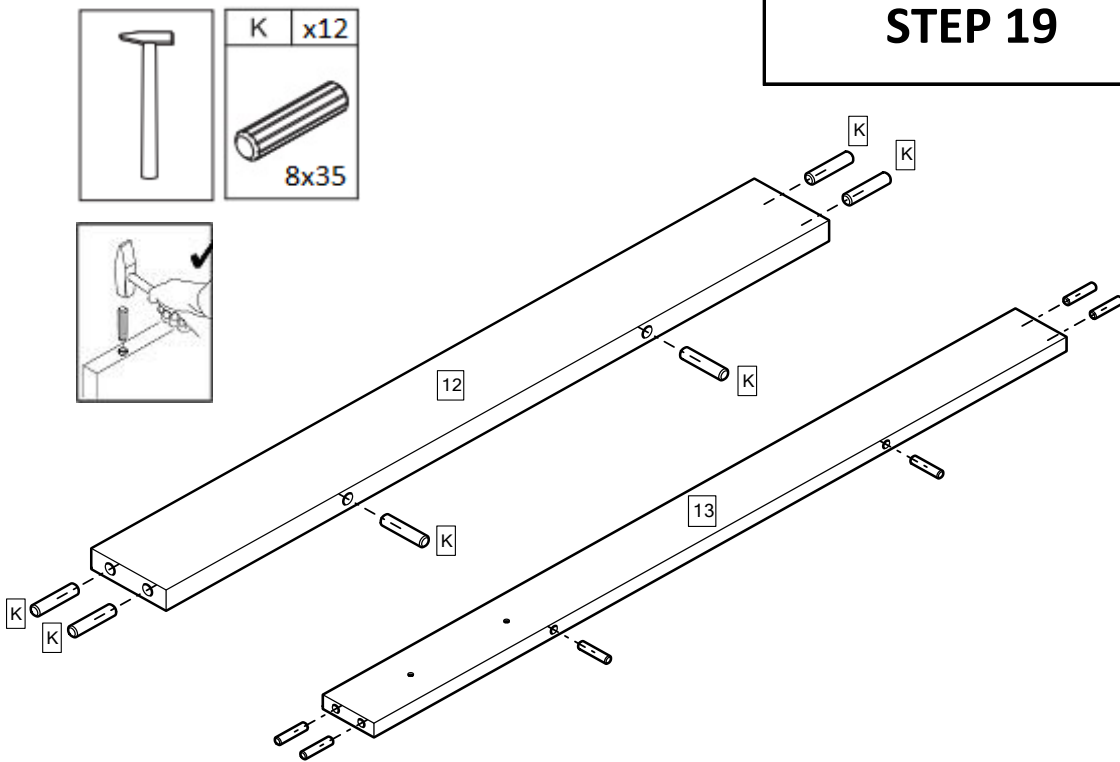
STEP 17



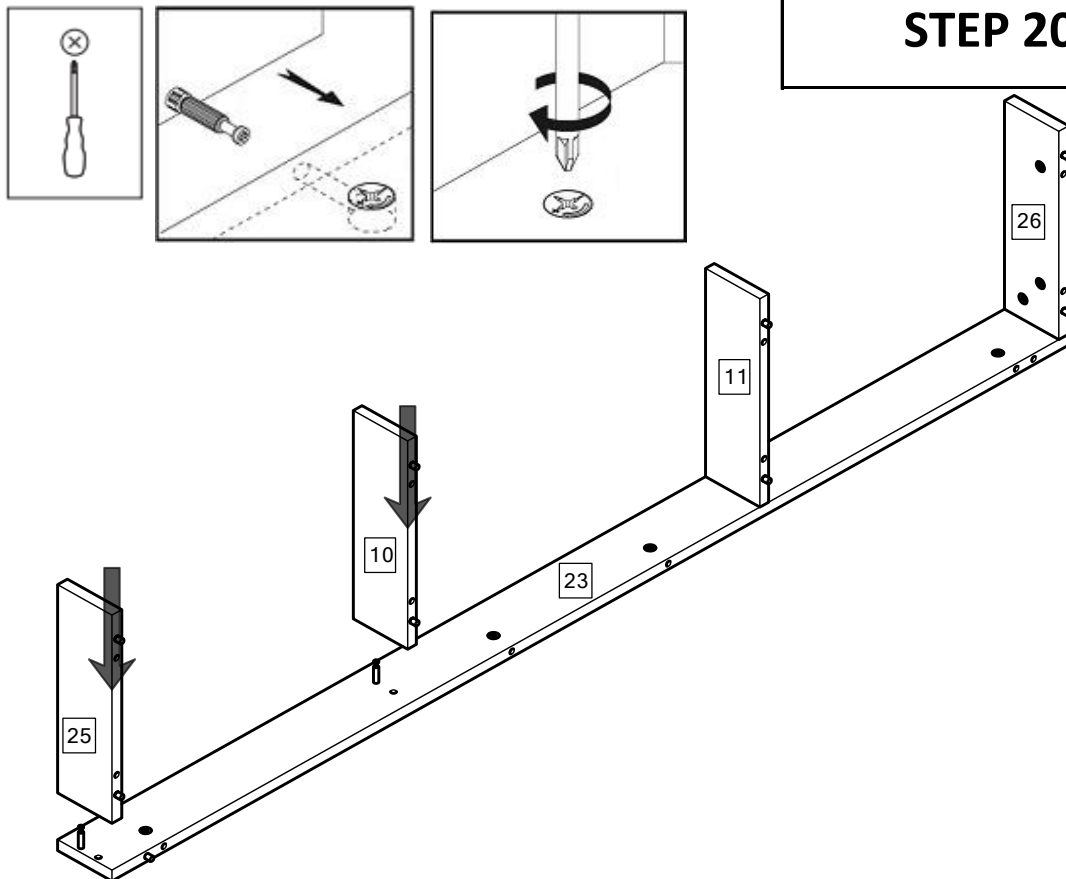
STEP 18



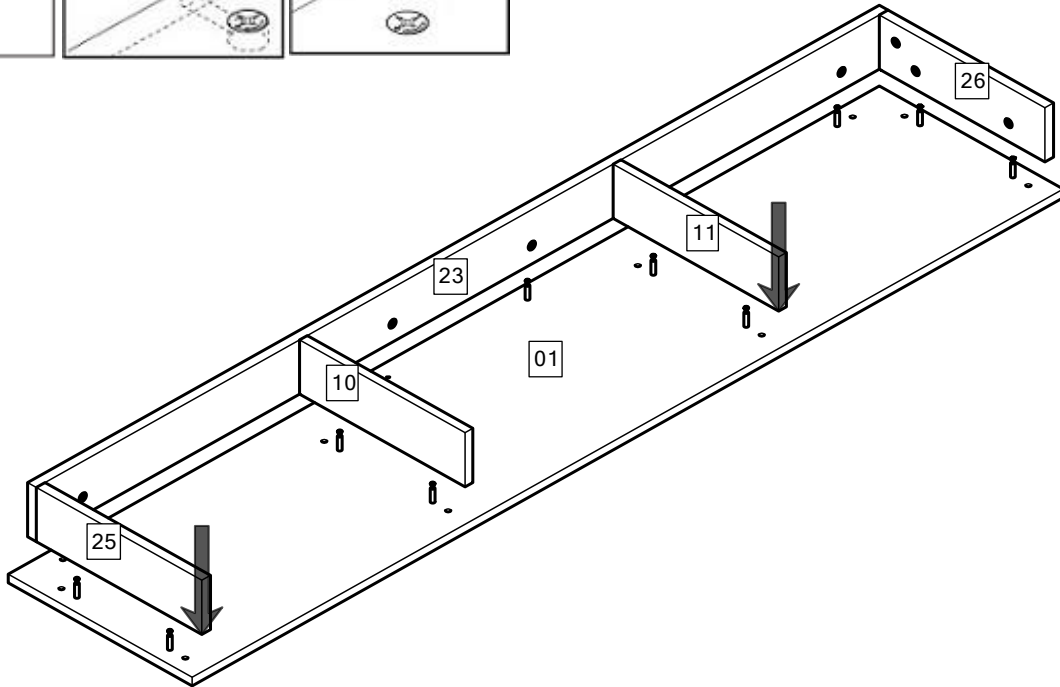
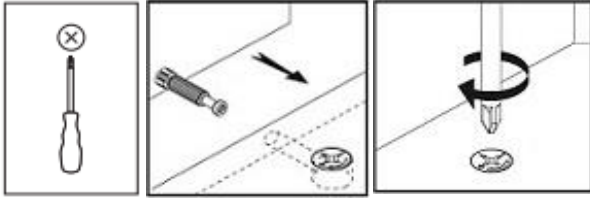
STEP 19



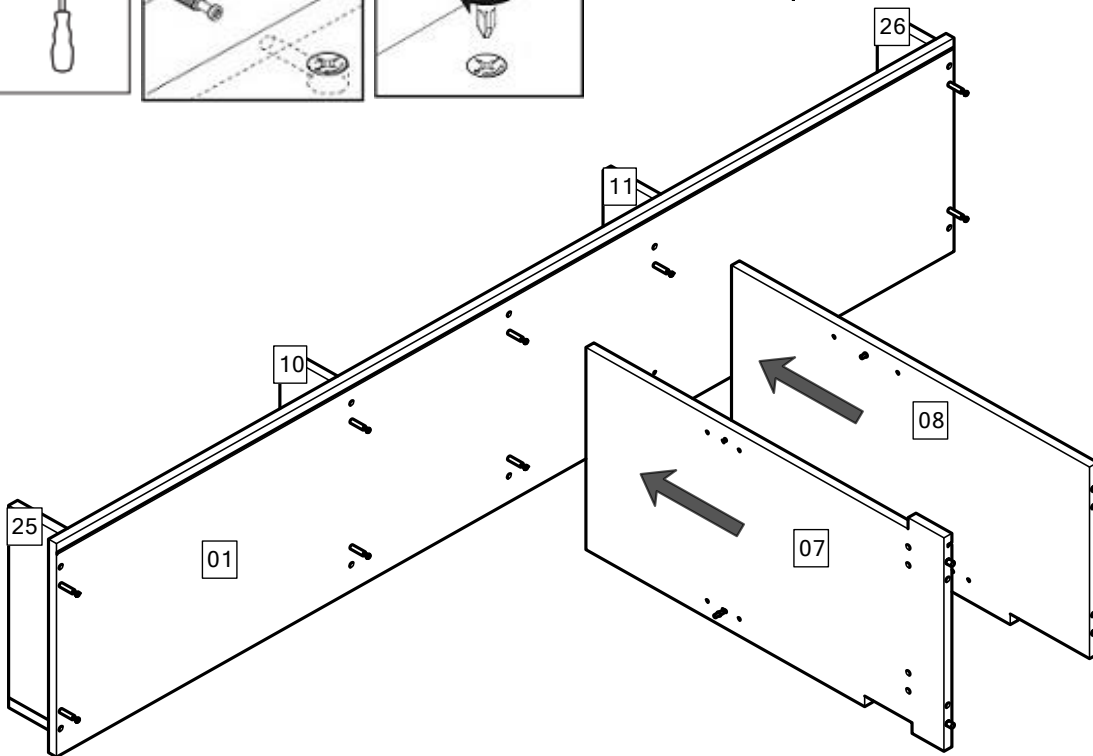
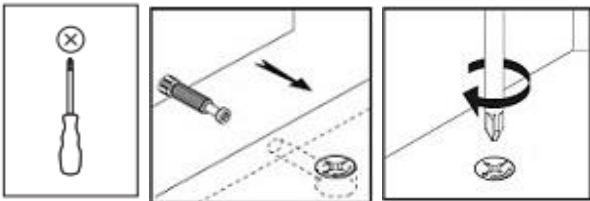
STEP 20



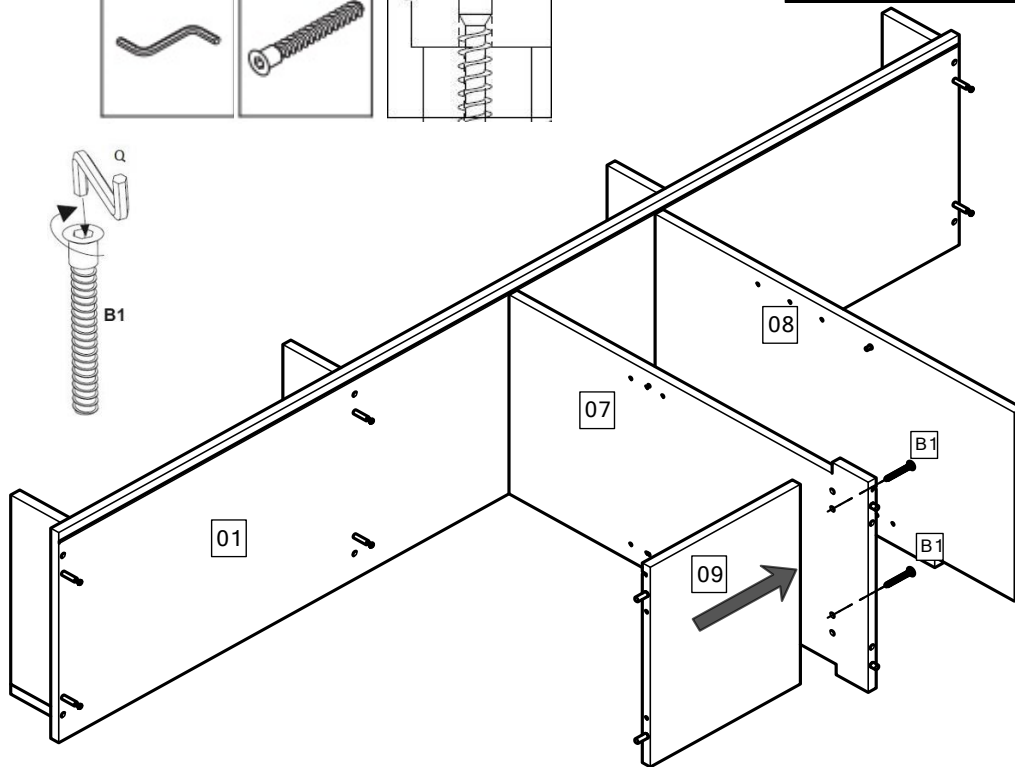
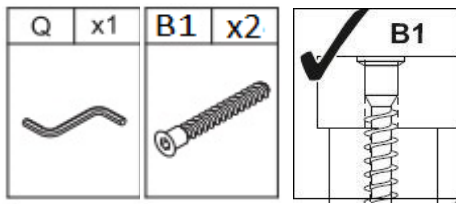
STEP 21



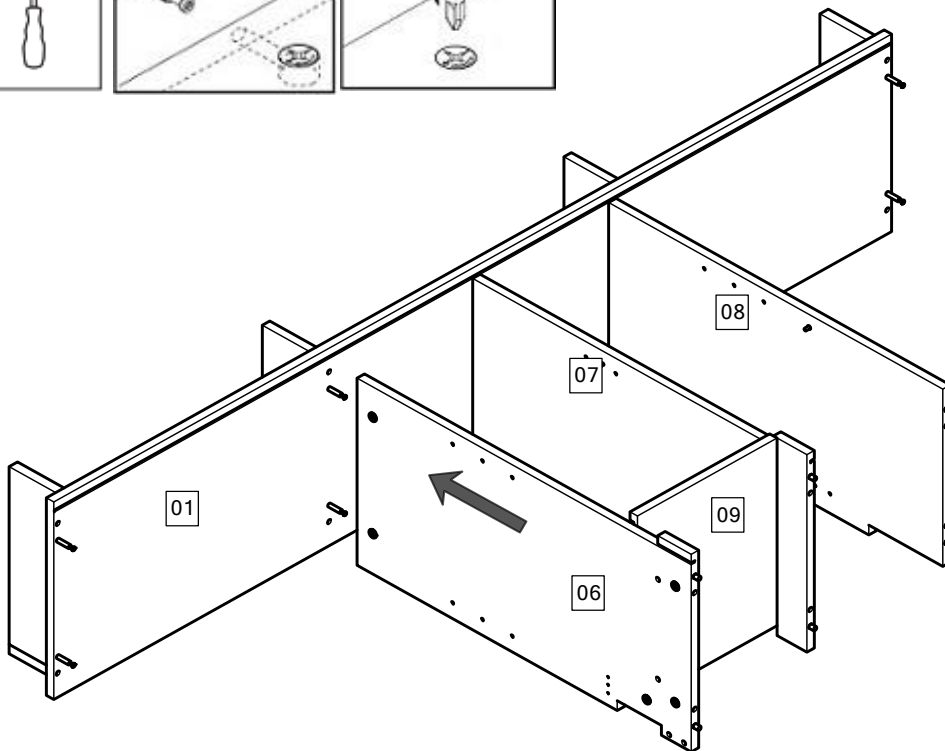
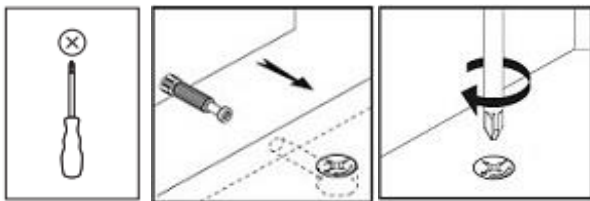
STEP 22



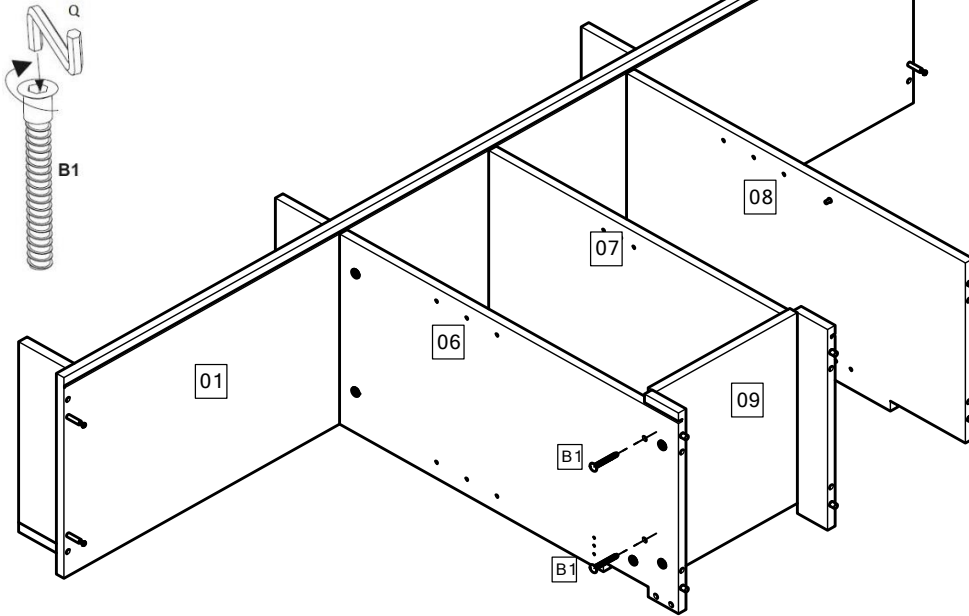
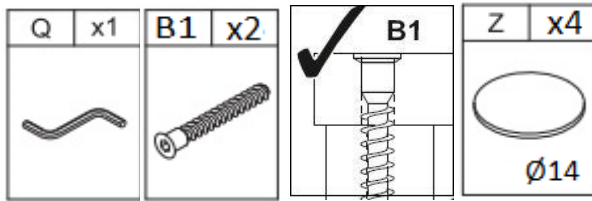
STEP 23



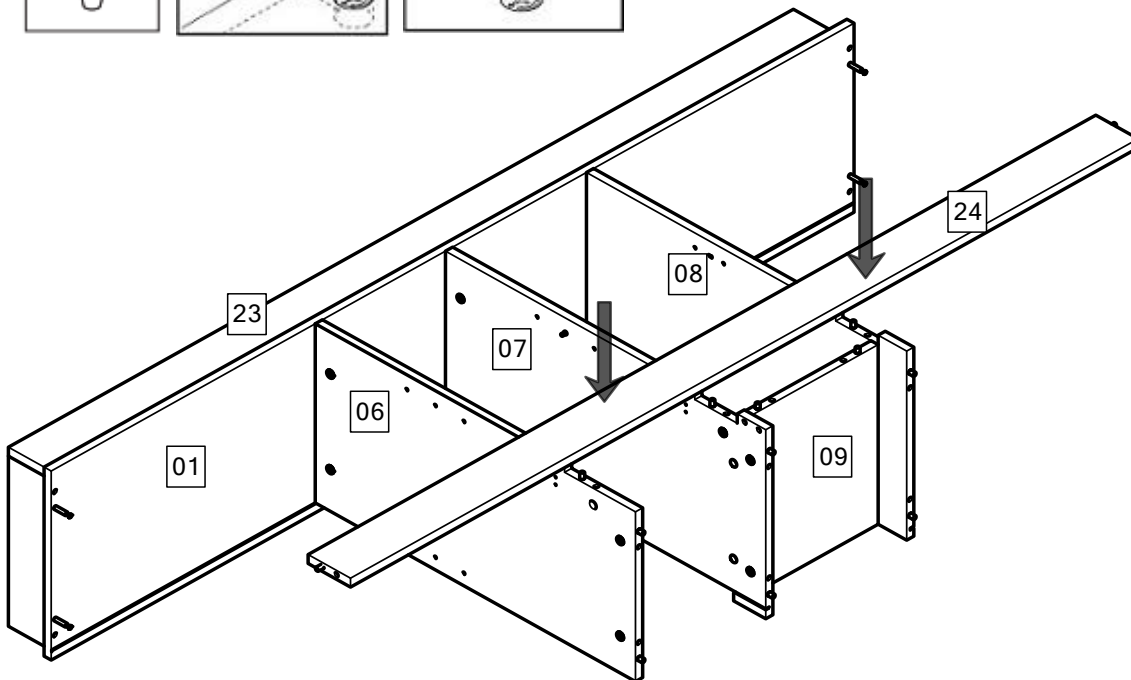
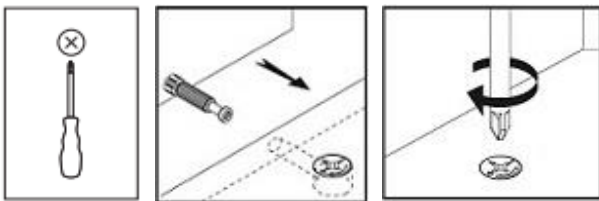
STEP 24



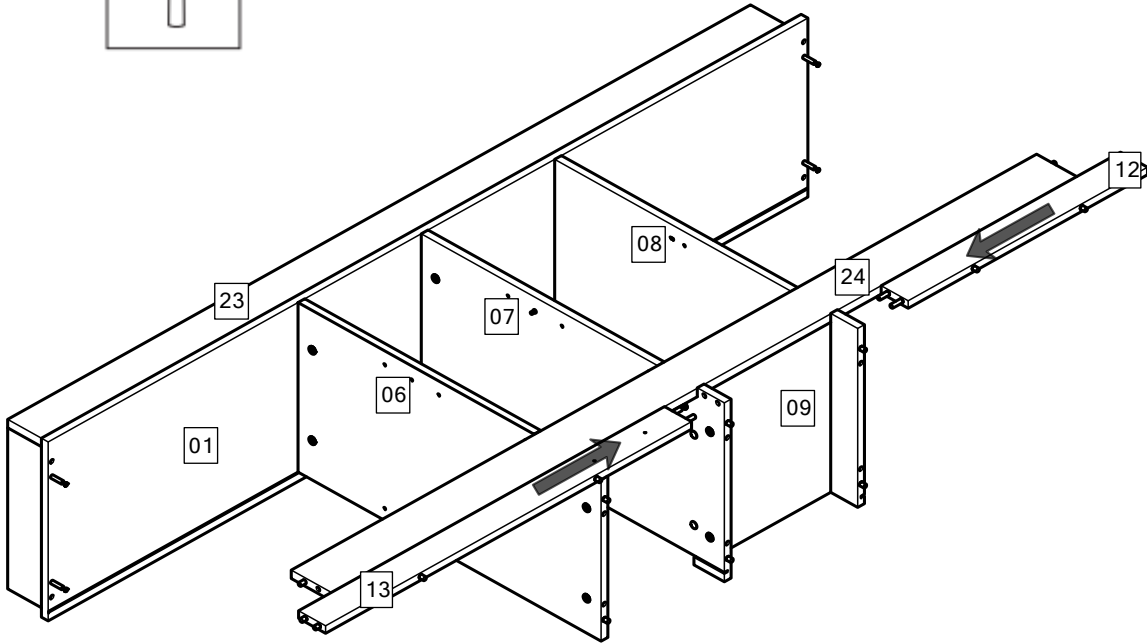
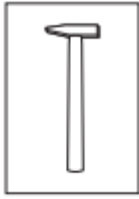
STEP 25



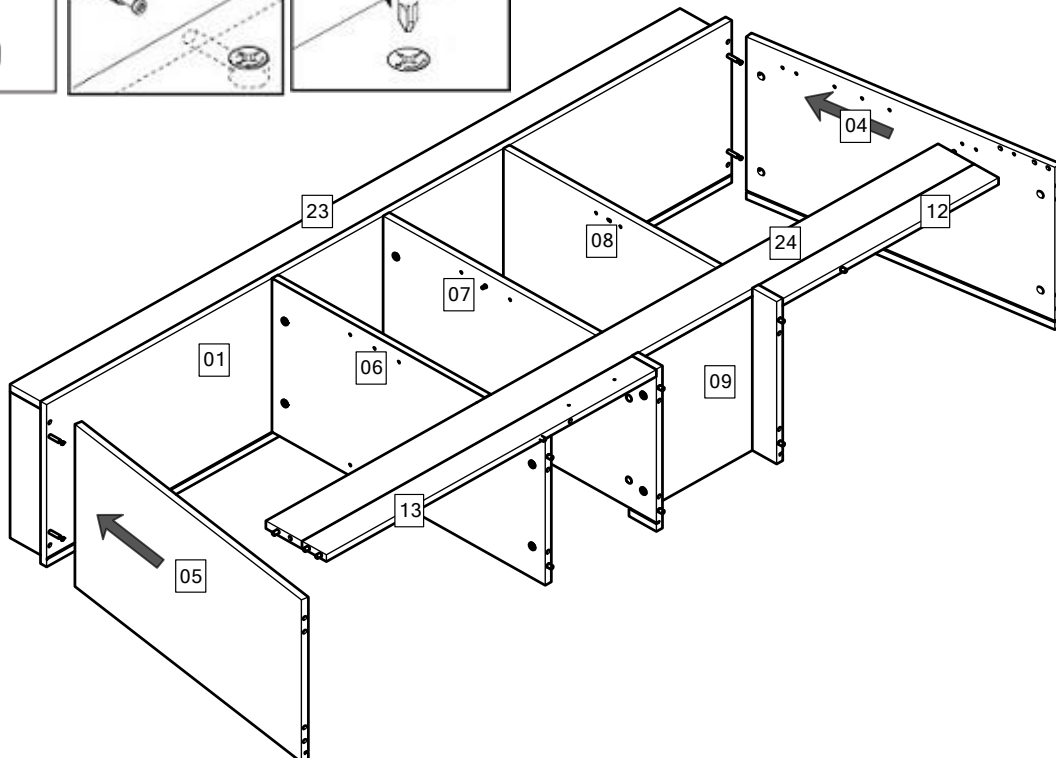
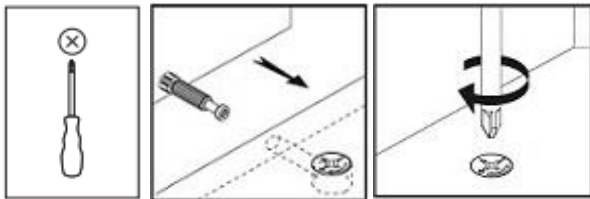
STEP 26



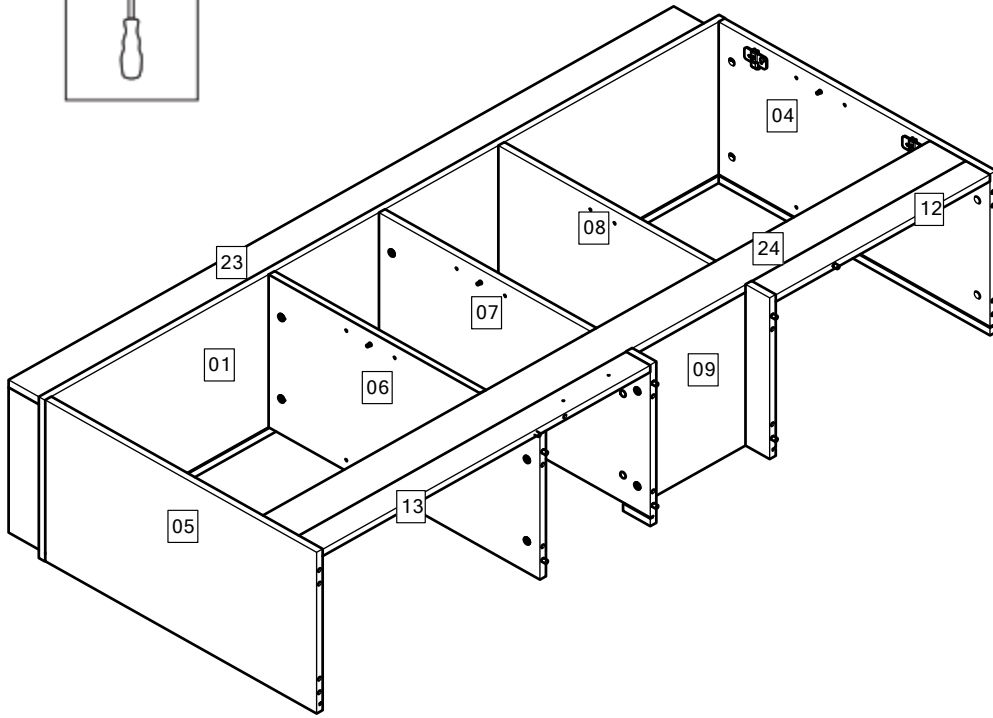
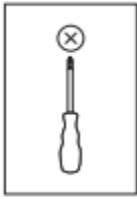
STEP 27



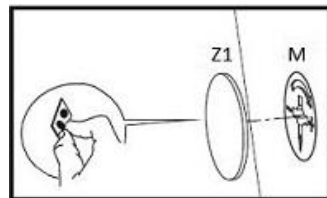
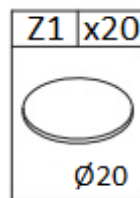
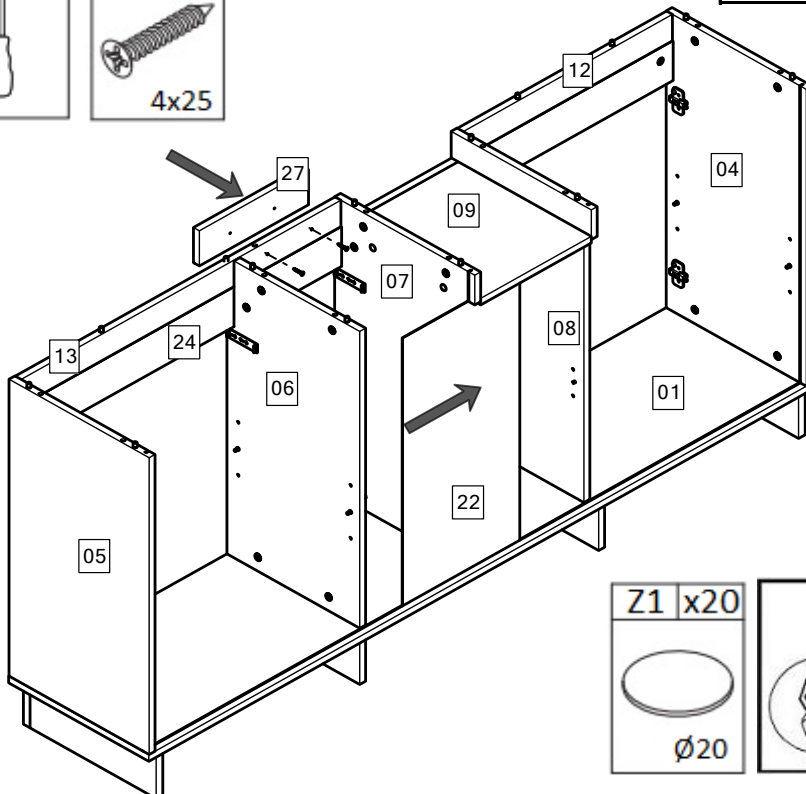
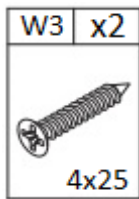
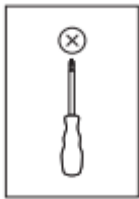
STEP 28



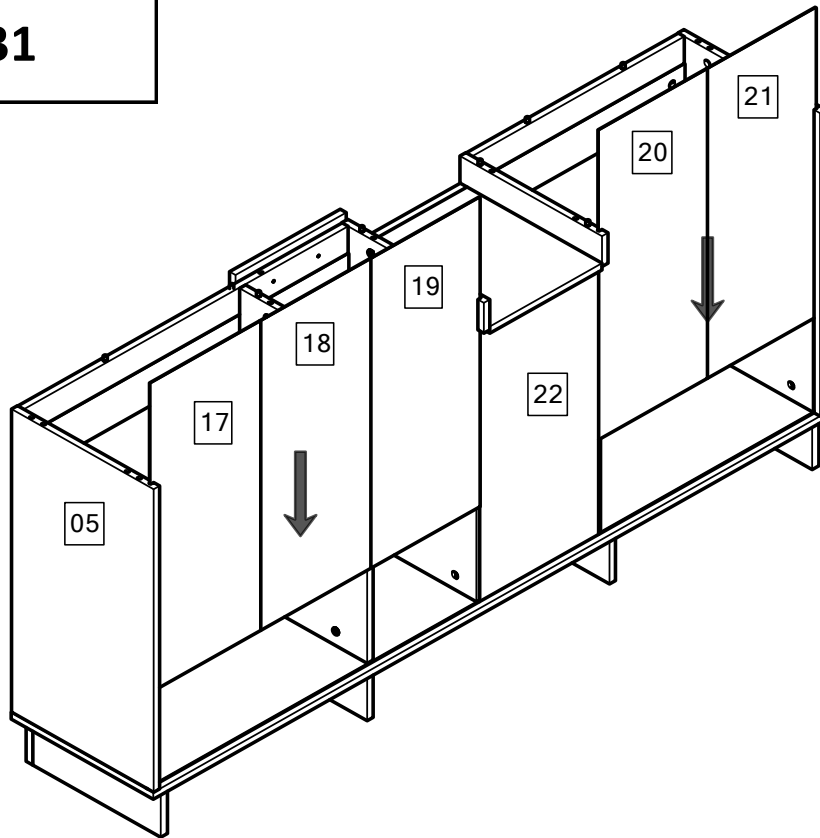
STEP 29



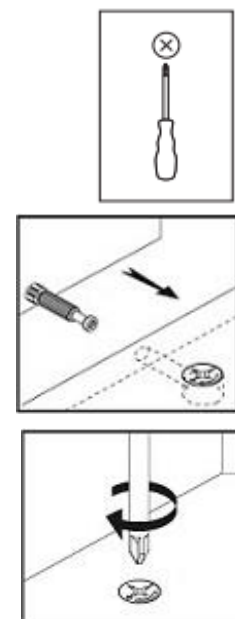
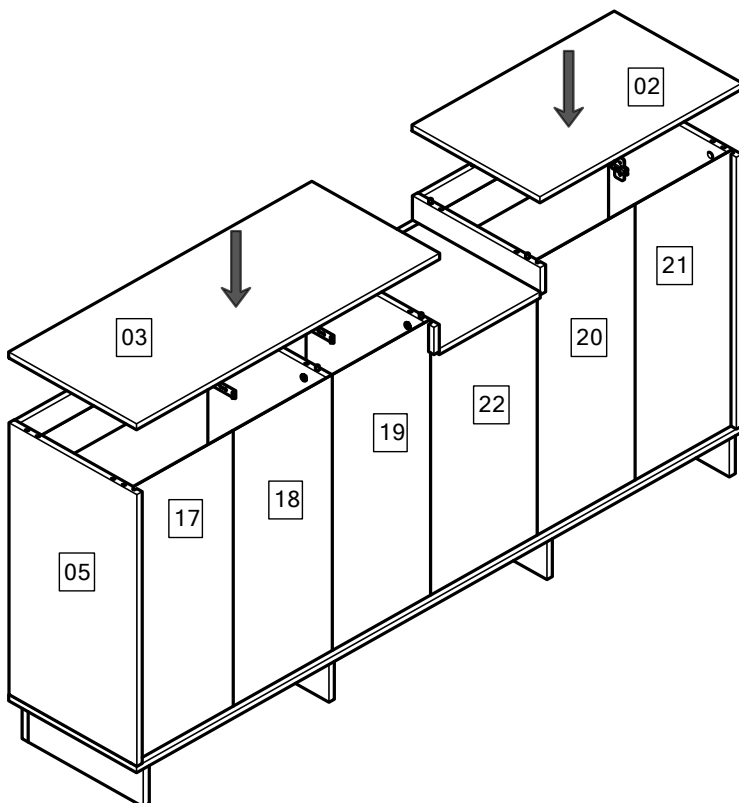
STEP 30



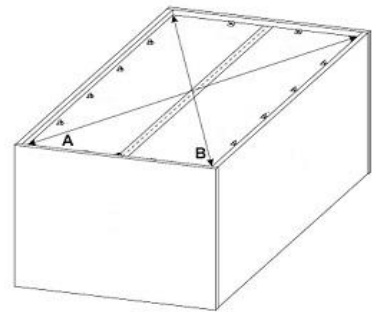
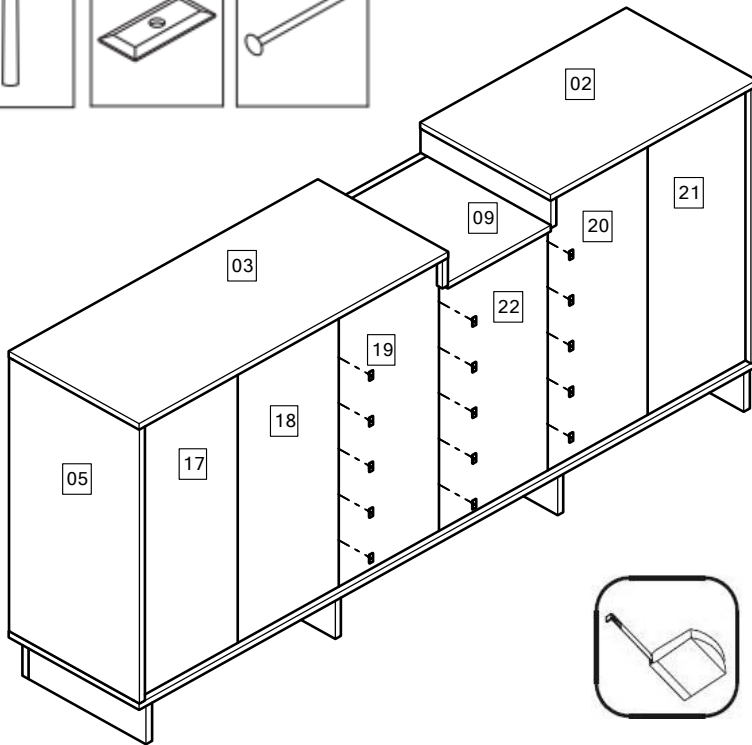
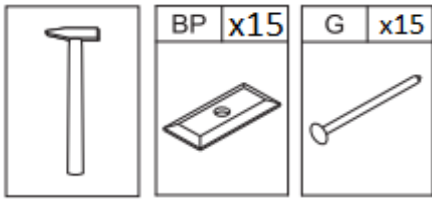
STEP 31



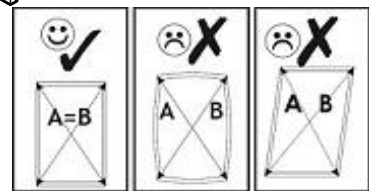
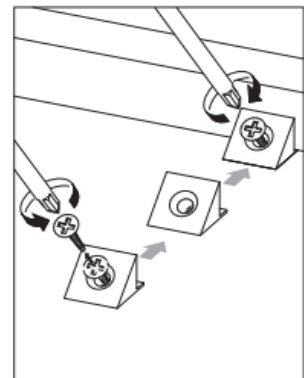
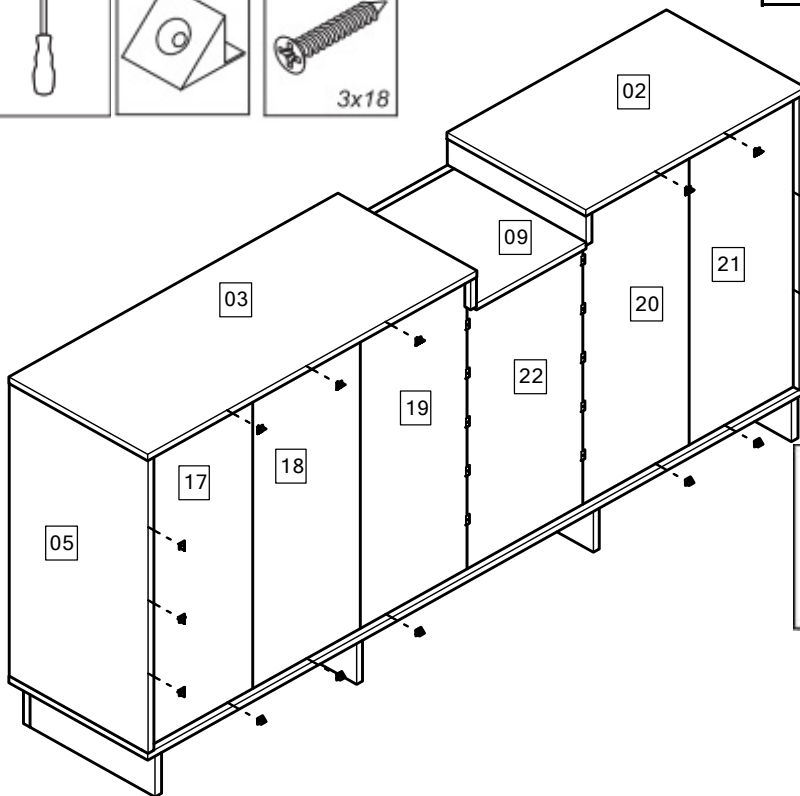
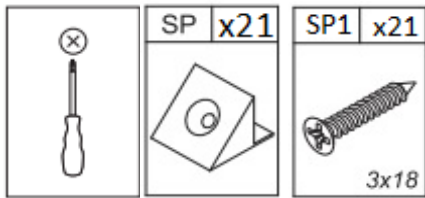
STEP 32



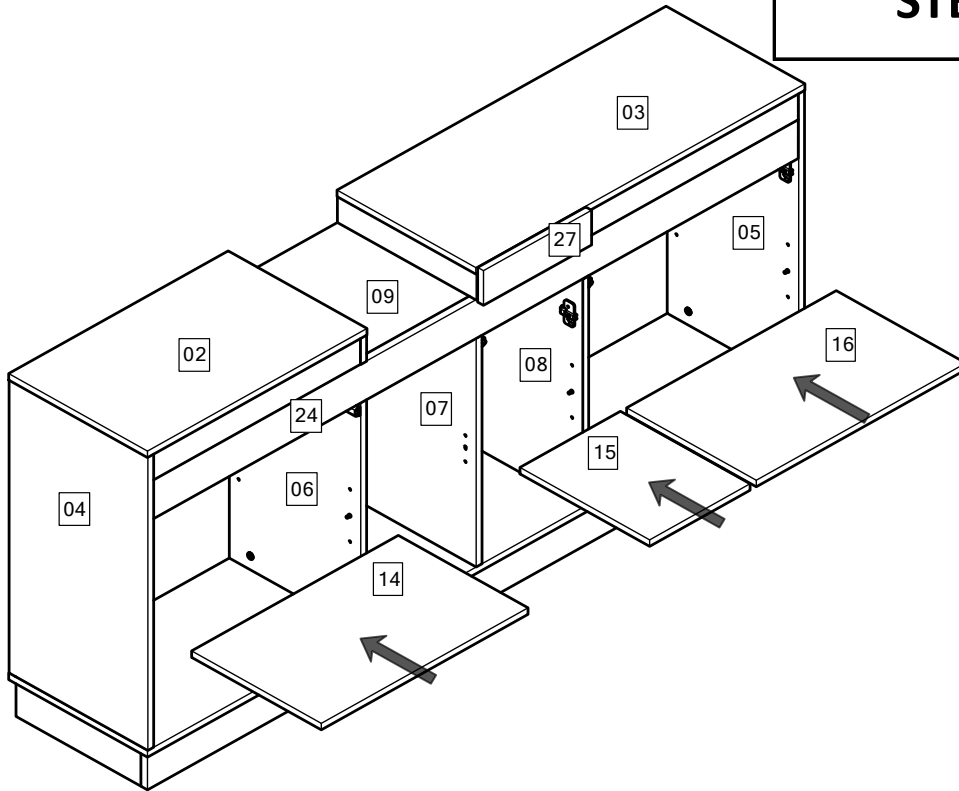
STEP 33



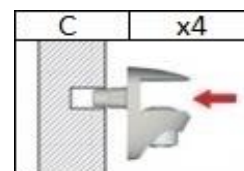
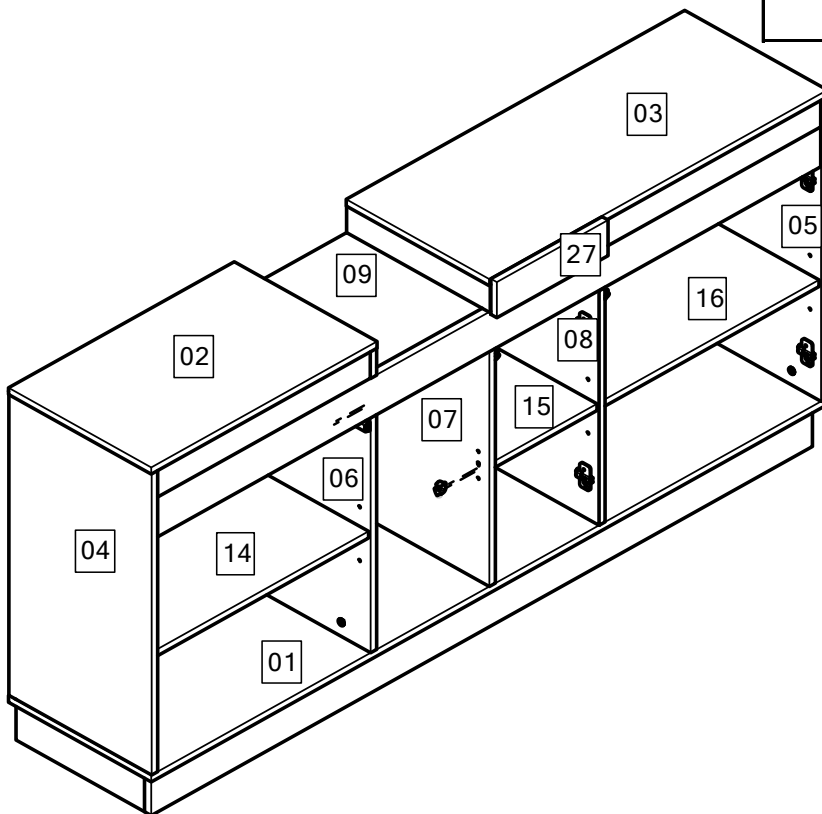
STEP 34



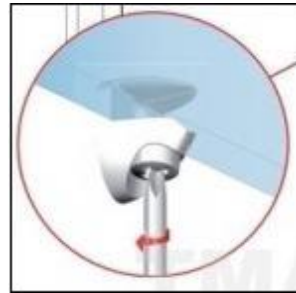
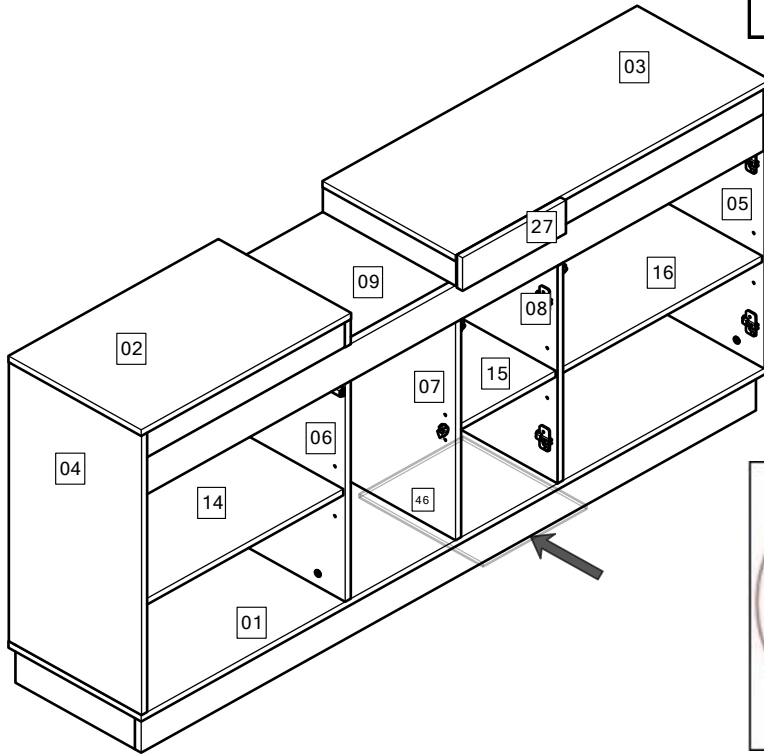
STEP 35



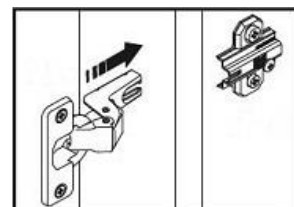
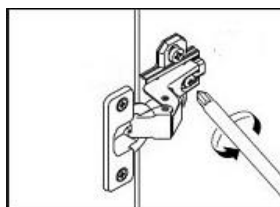
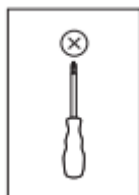
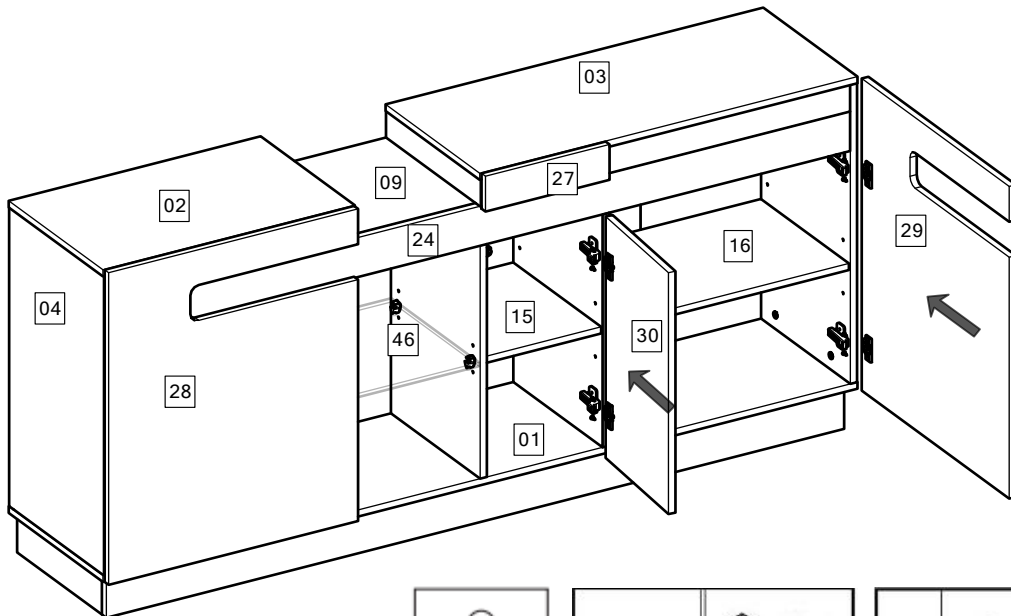
STEP 36



STEP 37



STEP 38



STEP 39

