

# CONTENT

---

INTRODUCTION .....	2-4
SAFETY PRECAUTION .....	2-3
INSTALLATION INSTRUCTIONS .....	4
AIR OUTLET INSTALLATION METHOD .....	5
ISLAND MODEL INSTALLATION .....	6-7
OPERATION .....	8-9
MAINTENANCE .....	9-11
TROUBLESHOOTING .....	11
ENVIRONMENTAL PROTECTION .....	11

## **INTRODUCTION**

---

### **INTRODUCTION**

Thank you for choosing this cooker hood.

- This instruction manual is designed to provide you with all required instructions related to the installation, use and maintenance of the appliance.
- In order to operate the unit correctly and safely, please read this instruction manual carefully before installation and usage.

### **SAFETY PRECAUTION**

- Never let the children operate the machine.
- The cooker hood is for home use only, not suitable for barbecue, roast shop and other commercial purpose.
- Clean the cooker hood after the specified time (suggestion: every 2 months) according to the instruction manual and keep the unit from danger of burning. There is a fire risk if cleaning is not carried out in accordance with the instructions.
- Please keep the kitchen room with good ventilation before connecting this appliance; Please check that the power supply cord is undamaged. A damaged supply cord must be replaced by qualified service personnel only.
- Regulations concerning the discharge of air have to be fulfilled.
- This appliance can be used by children aged from 8 years and above and also the persons with reduced physical, sensory or mental capabilities or lack of experience and knowledge if they have been given supervision or instruction concerning use of the appliance in a safe way and understand the hazards involved. Children shall not play with the appliance. Cleaning and user maintenance shall not be made by children without supervision.
- If the supply cord is damaged, it must be replaced by the manufacturer, its service agent or similarly qualified persons in order to avoid a hazard.
- There shall be adequate ventilation of the room when the range hood is used at the same time as appliances burning gas or other fuels; the range hood is only intended to be installed over a hob with no more than four hob elements; The air must not be discharged into a flue that is used for exhausting fumes from appliances burning gas or other fuels;

Range hoods and other cooking fume extractors may adversely affect the safe operation of appliances burning gas or other fuels (including those in other rooms) due to back flow of combustion gases. These gases can potentially result in carbon monoxide poisoning. After installation of a range hood or other cooking fume extractor, the operation of flued gas appliances should be tested by a competent person to ensure that back flow of combustion gases does not occur.

## **CAUTION:**

Accessible parts may become hot when used with cooking appliance.

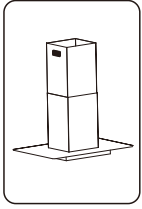
Electrical Shock Hazard

Only plug this unit into a properly earthed outlet.

If you have doubts, seek advice from a suitably qualified engineer.

- Lamp type: L09 / L11;
- Shape description: round / rectangle;
- Rated wattage of the intended lamp: 1.5W;
- Max wattage of a potential replacement lamp: 1.5W;
- Rated voltage or voltage range of lamp or for pre-heat starting fluorescent lamp starter replacement detail: 110-240V;
- Nominal dimension of lamp: 68mm / 34.5 \* 120mm.

## Hardware Included



×11

St4 × 30



×16



×11

φ5 × φ8



×16



×6

M6 × 50



×1



×40

M5 × 10



×4

St4 × 6

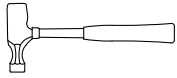
## Tools Required



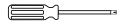
Pencil



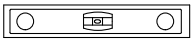
Measuring tape



Hammer



Screwdriver



Level

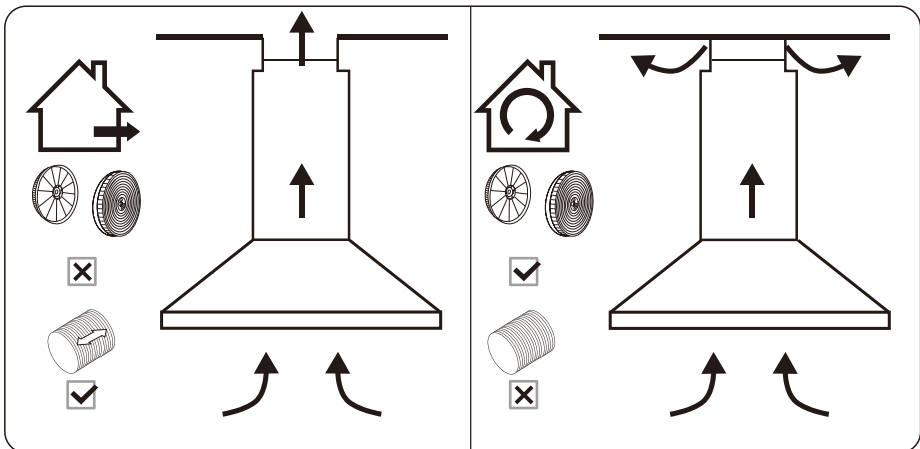


Electric drill or  
powered screwdriver

## **INSTALLATION INSTRUCTIONS**

### **Prepare for installation:**

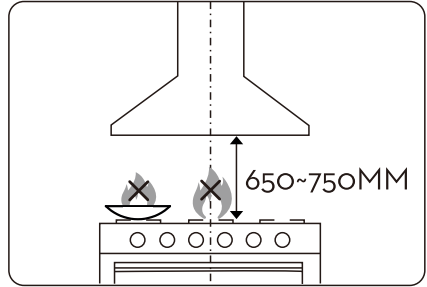
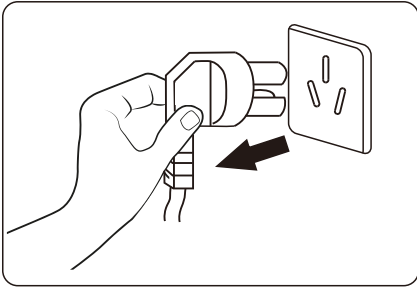
**Warning:** Failure to install the screws or fixing device in accordance with these instructions may result in electrical hazards.



**DUCTED OPTION**

**RECIRCULATION OPTION**

a. If you have an outlet to the outside, your cooker hood can be connected as above picture by means of a pipe (with an interior diameter of 150mm). If you don't have an outlet to the outside, you can go with recirculation mode by using carbon filter.



b. Before installation, turn the unit off and unplug it from the outlet.

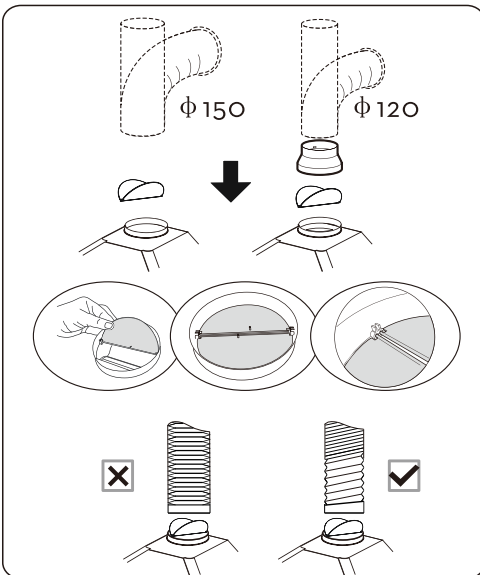
c. The cooker hood should be placed at a distance of 650~750 mm above the cooktop for the best effect.



Note

Do not flame under the range hood

## AIR OUTLET INSTALLATION METHOD



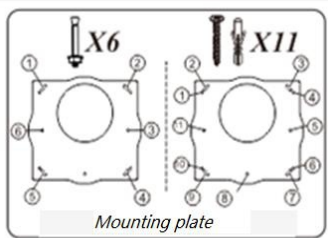
**Installation method for 150mm diameter pipe:** insert the one-way-valve as the pic and fix the pipe.

**Attention:** The bump of the one-way-valve must be upward.

**Installation method for 120mm diameter pipe:** insert the damper as the picture and fix the converter before placing the duct.

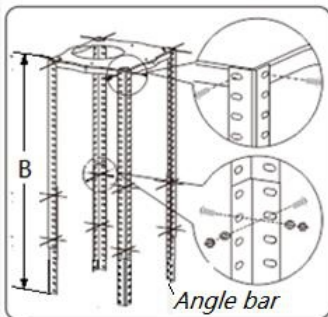
The pipe near the air outlet need to be fully extended.

# ISLAND MODEL INSTALLATION



Install the mounting plate on the ceiling and then mark the position of the screw holes. The mounting plate should be securely fixed to the ceiling.

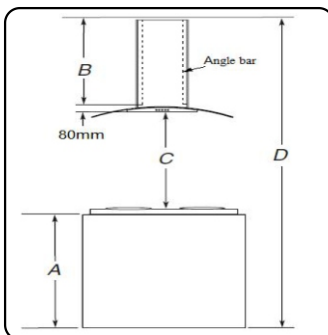
- (1) 6\* expansion bolts for cement ceiling.
- (2) 11 \*ST4 × 30 screws for wooden ceiling.



Fix 4 angle bars to the mounting plate, using the 8\*M5 × 10 screws.

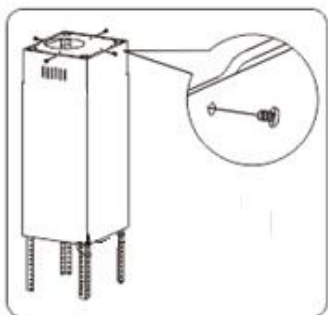
Install the second section of angle bars, and lengthen to total length "B". 16\*M5 × 10 screws and nuts with washers are used here (as left figure).

**IMPORTANT: The position of the two angle bars links must overlap by AT LEAST 100 mm.**



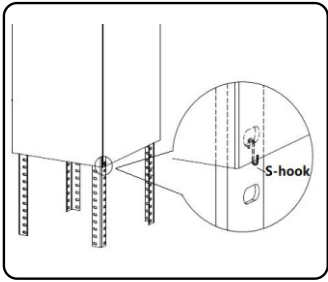
Calculation the total height of angle bars: "A" is countertop height; "B" is angle bar height from ceiling to bottom of angle bars(as left figure). "C" is the height from cooker surface to the bottom of, cooker hood (as left figure).

$$B \text{ (mm)} = D - A - C - 80$$

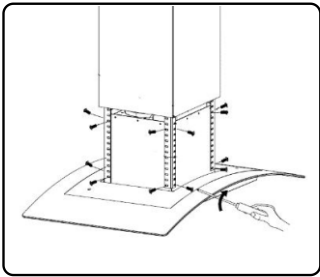


If the cooking fumes and vapors need be vented to the outside, then a hole for passing the vent pipe should be cut in the ceiling at this step.

Put the upper chimney on the angle bars (with shutter end upwards). Then fix the upper chimney section to the mounting plate, using the 4 × self tapping screws(as left figure).



Put the lower chimney on the angle bars and slide it up until it almost completely overlaps the upper chimney. Then hang it with s-hooks to prevent it from sliding down (as left figure).

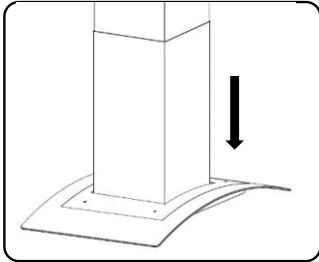


Install the machine body onto the angle bars with 16 pcs of M5X10 screws(as left figure).

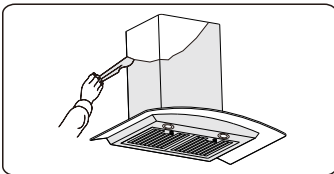
**IMPORTANT:**

This stage of the installation process **MUST** be completed by two people.

**IMPORTANT:** The 16×M5 screws **MUST** be securely tightened.



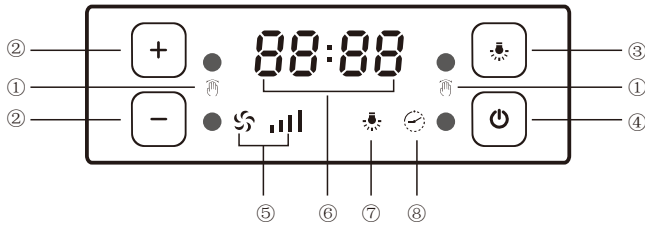
Remove the S-hooks and then slide the lower chimney section downwards, until it rests against the machine body of the cooker hood(as left figure).







**BEFORE USE**

**i** **Note** Please remove the white/blue protective film on the range hood, chimney covers and baffle filters. (Only for stainless steel finish )

## OPERATION






- ① Sensors of gesture switch.
- ② Touch "+" or "-" to increase or decrease fan speed level to your desired level. The fan speed levels range are 1~3.
- ③ Touch this button once to turn on the light and again to turn off the light.
- ④ On/Off button: When range hood is off, touch this button, the range hood will enter the standby mode and screen display "0". In the standby mode, touch this button to turn off the range hood and the display screen will display time.
- ⑤ Display ON/OFF and the running speed level.
- ⑥ Display the time.

**Set the time:** When range hood is in the off state, touch  for 3 seconds, the light indicator  will be on, the "+" and "-" buttons will flash, and the "hour" on the display screen will flash. Touch "+" and "-" to set the "hour" (12 hours system). Touch  to confirm and enter the "Minute" setting. Touch "+" and "-" to set the "Minute" (press for a long time to quickly adjust). After setting is completed, touch the  to confirm, or it will be confirmed automatically when no operation within 10 seconds.



- ⑦ Indicator when light on.
- ⑧ Indicator when delay off function on.

**Delay off function:** This range hood has delayed off function.

Touch  during range running, the indicators  will flash, and the delay time will be displayed on screen (5 minutes by default) and the countdown will begin, range hood will be off after the countdown end. Or at this time when delay time is flashing touch  again to turn off the range hood directly.

Touch  for 3 seconds to end the delayed off process.

### How to set delayed off time:

In standby mode, touch  for 3 seconds, and the screen will display "5:00" and flash. Now touch the "+" and "-" button to set the delayed off time (1-60 minutes). Then touch  to confirm the setting, or it will be confirmed automatically when no operation within 10 seconds.

## How to control the range hood by gesture:

You can change the fan speed levels, or turn on/off range hood by gestures without touching the panel.

In standby mode, move your hand from the left to the right to change the speed level from 1-2-3-1 in circularly. (Hand should be at a distance of 11 to 15cm from the front of the control panel.)

During hood running process, move your hand from the right to the left, range hood will turn off with a delay of 3 minutes, and 3:00 flashes on display screen. The range hood will turn off when the countdown time end. In the process of delayed off, move your hand from the right to the left again to directly turn off the range hood.

**CAUTION:** To complete an effective control action, the hand must completely brush two gesture sensors at one time.

## MAINTENANCE

Before cleaning switch the unit off and pull out the plug.

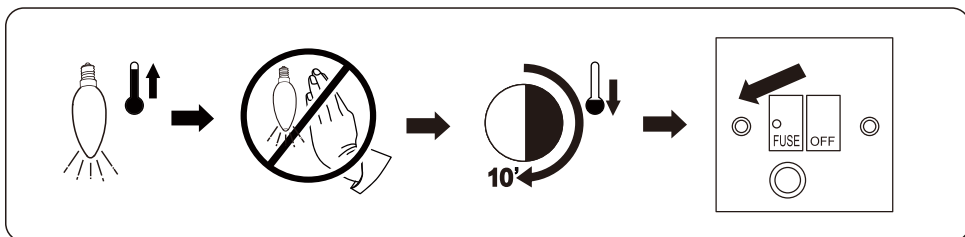
### I. Regular Cleaning

Use a soft cloth moistened with hand-warm mildly soapy water or household cleaning detergent. Never use metal pads, chemical, abrasive material or stiff brush to clean the unit.

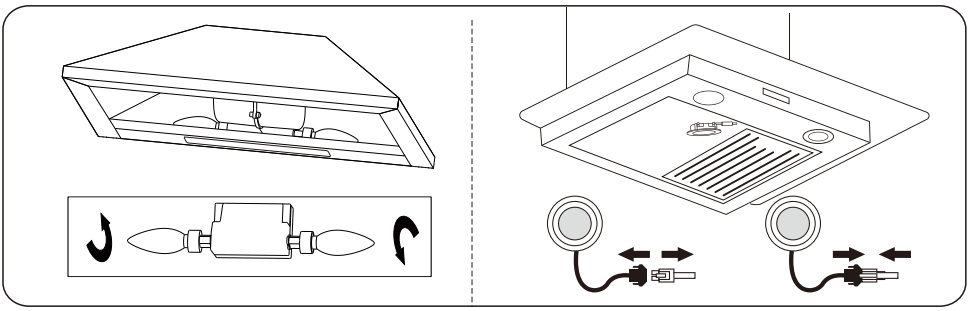
### II. Bulb Replacement

1. Switch the unit off and unplug the appliance.
2. Remove the lamp cover by unscrewing the 2 screws.
3. Unscrew the incandescent bulb.
4. Replace with the same type and rated bulb/lamp  
E14 Incandescent Bulb: (E14 Max 40W).

- Lamp type: LO9 / L11;
- Shape description: round / rectangle;
- Rated wattage of the intended lamp: 1.5W;
- Max wattage of a potential replacement lamp: 1.5W;
- Rated voltage or voltage range of lamp or for pre-heat starting fluorescent lamp starter replacement detail: 110-240V;
- Nominal dimension of lamp: 68mm / 34.5 \* 120mm.

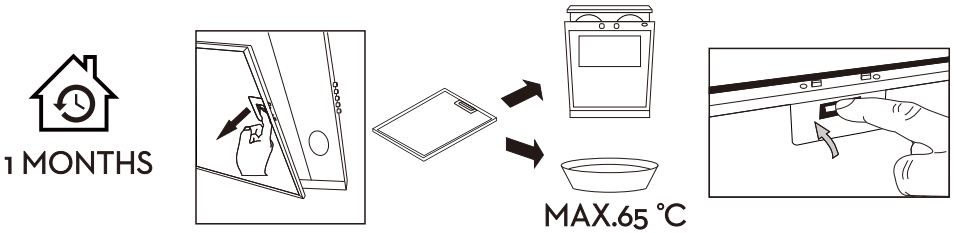


The hot bulb may hurt hands. Please switch off the power for 10 minutes before replace the bulb.



### III. Aluminium and carbon filter replacement

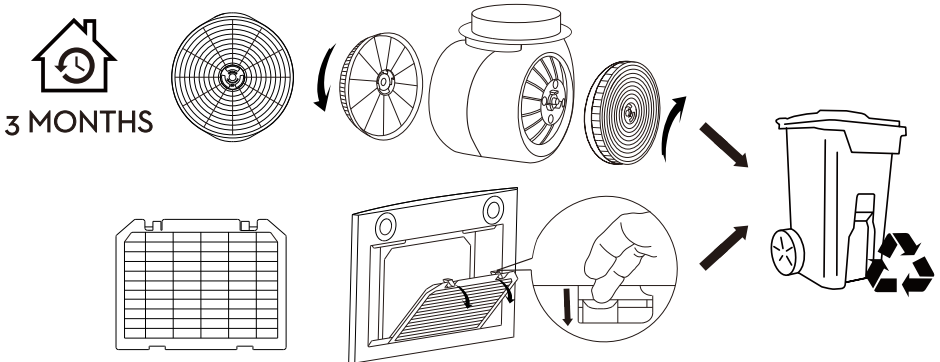
In order to install the carbon filter, the grease filter should be detached first. Press the lock and pull it downward.  
 (Carbon filter is NOT included, need to order it separately.)



**Aluminium filters:** To avoid fires, clean thoroughly once a month or whenever the display pilot lights up (if fitted). To do so, remove the filters and soak in hot water and detergent for an hour. If using a dishwasher, position the filters vertically to improve the cleaning process.

**VI. Carbon filter life time:** Suggest changing to new one every 3 months (According to different kitchen condition, the life time of carbon filter might be longer or shorter than 3 months).  
 (Carbon filter is NOT included, need to order it separately.)

**Installation:** Fix carbon filter into the unit and turn it in clockwise direction. Repeat the same on the other side. (Carbon filter is NOT included, need to order it separately.)



### Important Notice:

1. Make sure the filter is securely locked. Otherwise, it would loosen and cause abnormal noise and danger.
2. Using carbon filter would reduce the air flow of the range hood.

## TROUBLE-SHOOTING

Problem	Possible cause	Solution
Light on, but fan does not work	The fan blade is jammed.	Switch off the unit and repair by qualified service personnel only.
	The motor is damaged.	
Both light and fan do not work	Light bulb burn.	Replace the LED light with correct rating.
	Power cord is loose.	Plug into the power supply again.
Serious Vibration of the unit	The fan blade is damaged.	Switch off the unit and repair by qualified service personnel only.
	The fan motor is not fixed tightly.	
	The unit is not hung properly on the bracket.	Take down the unit and check whether the bracket is in proper location.
Suction performance not good	Too far distance between the unit and the cooktop.	Readjust the distance between 650-750mm.

## ENVIRONMENTAL PROTECTION

Waste electrical products should not be disposed of with household waste. Please recycle where facilities exist. Check with your Local Authority or retailer for recycling advice.

