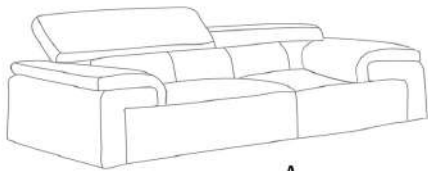
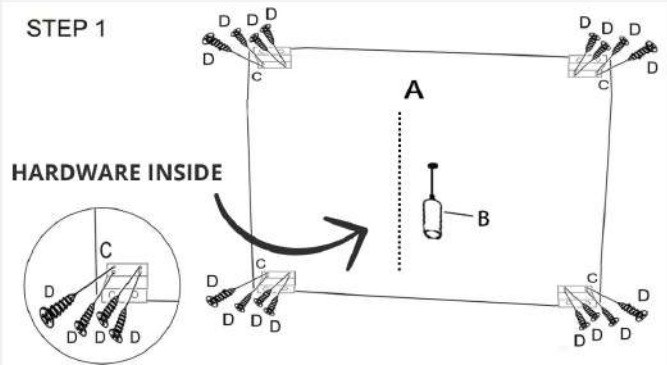


ASSEMBLY INSTRUCTION

Before you beginning, please follow below Assembly Instruction step by step.



STEP 1



STEP 2

