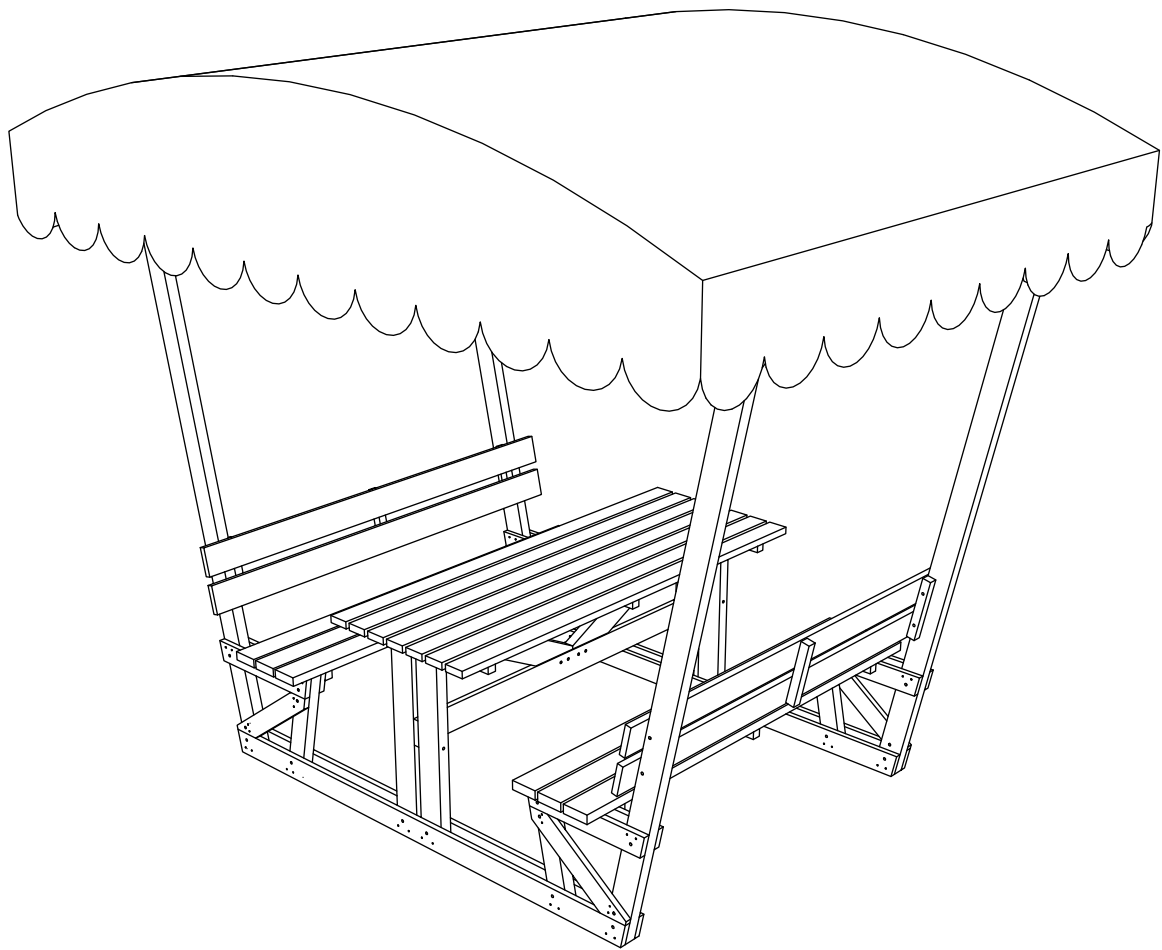


# Wooden Table Set

## Assembly Instructions



# Safety First! Please Read Before You Begin

Hello there! We're excited for you to enjoy your new picnic table. To ensure a smooth and safe assembly, please take a moment to read these important tips. Your safety is our top priority!

## **Before You Start**

**Team Up for Safety:** This picnic table is best assembled by two adults. Some parts are large and can be heavy or awkward to handle on your own. Teamwork makes it easier and safer!

**Prepare Your Workspace:** Assemble on a soft, non-abrasive surface like a blanket, cardboard, or a grassy lawn. This will protect both your new furniture from scratches and your floor from damage. Ensure you have plenty of clear space to work.

**Check Your Parts:** Before you begin, open all boxes and lay out the parts. Compare them with the parts list in this manual to ensure everything is present and accounted for. This prevents surprises mid-assembly!

**Keep Children and Pets Away:** For their safety, please keep children and pets out of the assembly area. The hardware kit contains small parts that can be a choking hazard.

## **During Assembly**

**Follow Steps in Order:** Please follow the assembly steps in the exact order they are presented. Skipping ahead can lead to misalignment and instability.

**Handle with Care:** Be mindful of pinch points, especially when connecting the frame components and attaching the benches. Lift heavy parts with your legs, not your back.

**A Note on Tools:** Use only the tools specified in the parts list. We recommend hand-tightening all bolts initially. Once the entire table is assembled, go back and fully tighten all hardware.

**Important:** If you choose to use a power drill, set it to a low-torque setting. Over-tightening screws can strip the hardware or damage the wood components.

**Wait to Tighten:** Do not fully tighten bolts until instructed. Leaving them slightly loose allows for minor adjustments during assembly, ensuring everything aligns perfectly.

## **After Assembly: Safe Use & Maintenance**

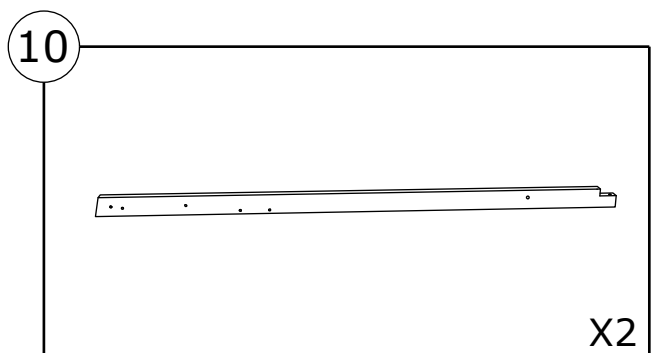
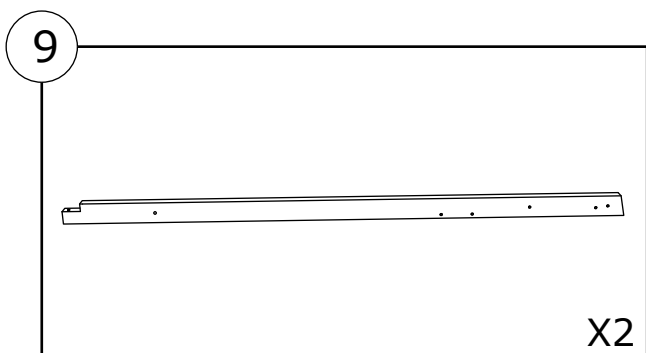
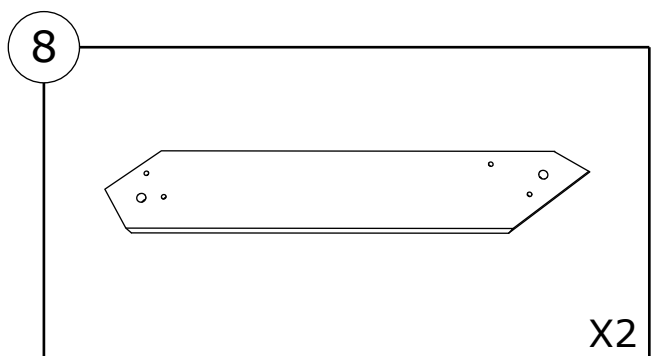
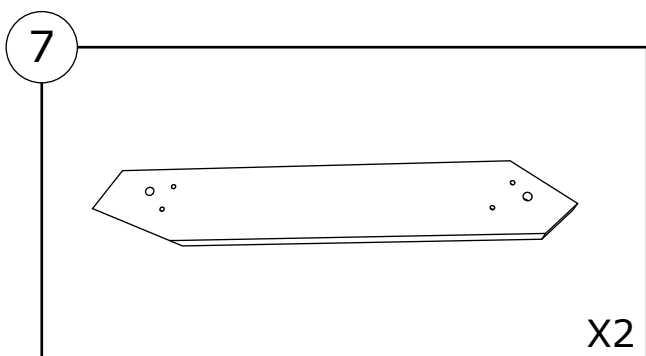
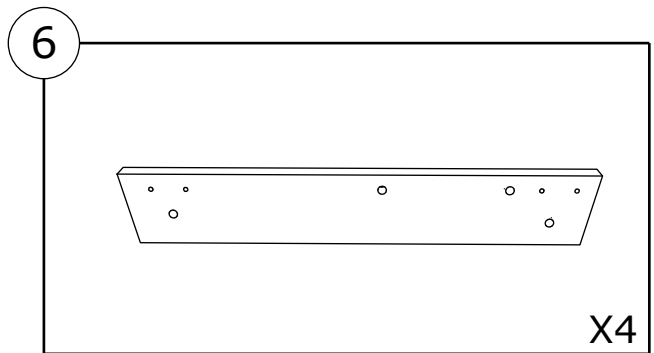
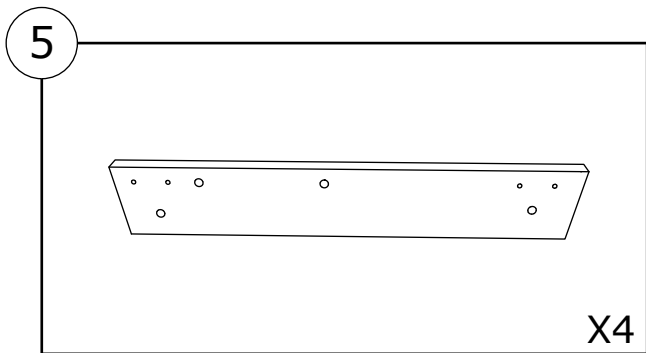
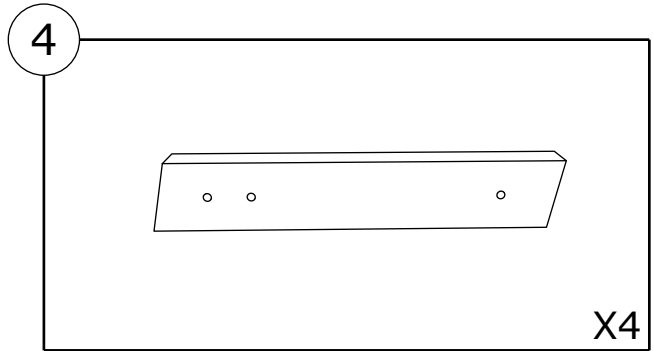
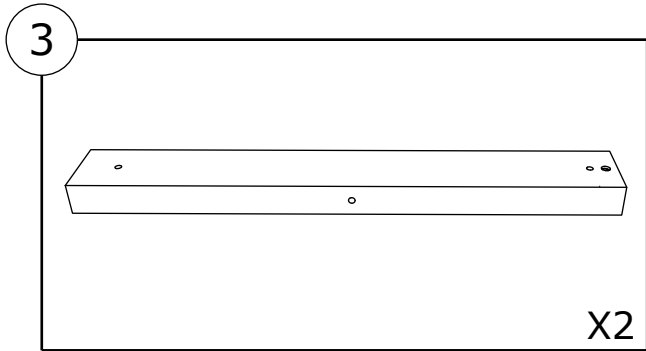
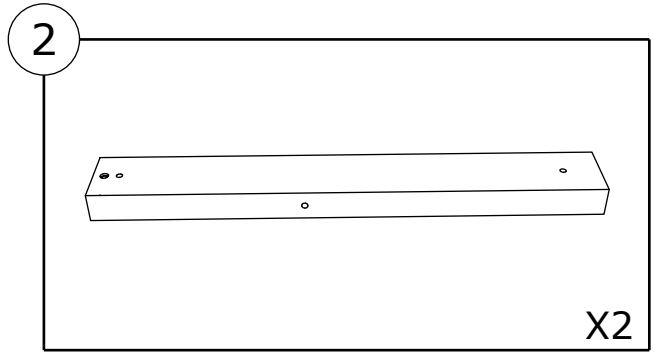
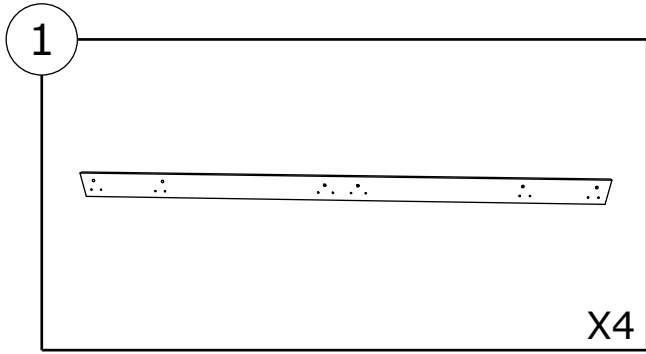
**Final Tightness Check:** After assembly is complete and you have moved the table to its final location, give every bolt a final check to ensure it is secure.

**Placement is Key:** Always place your finished picnic table on a flat, level surface. Placing it on uneven ground can cause it to be unstable.

**Caution - High Winds:** The canopy can act like a sail in strong winds. To prevent tipping or damage, we strongly recommend removing the fabric canopy during stormy or high-wind conditions.

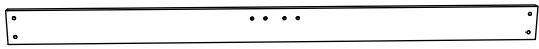
**For Seating Only:** This product is designed for sitting and dining. Do not stand on the benches or tabletop.

Parts



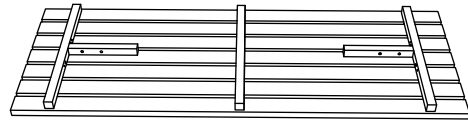
Parts

11



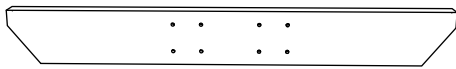
X1

12



X1

13



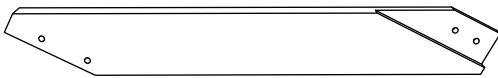
X2

14



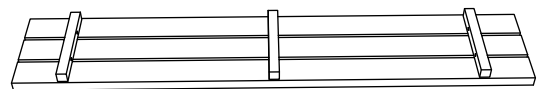
X1

15



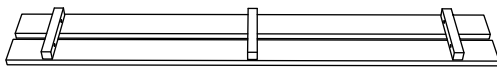
X1

16



X2

17



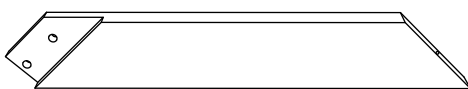
X2

18



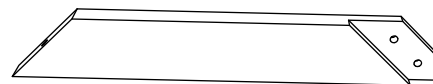
X2

19



X2

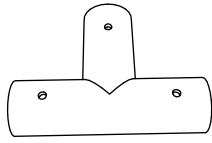
20



X2

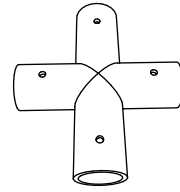
Parts

21



X2

22



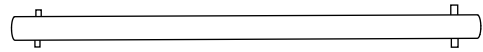
X2

23



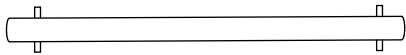
X8

24



X2

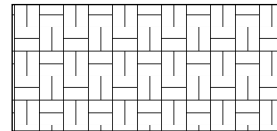
25



X1

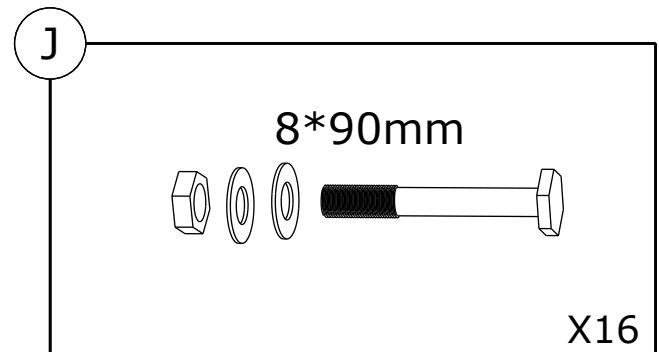
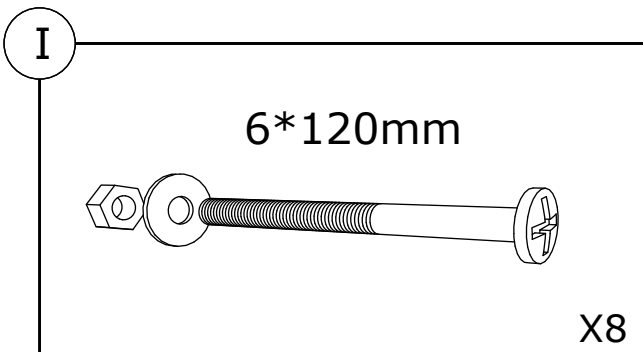
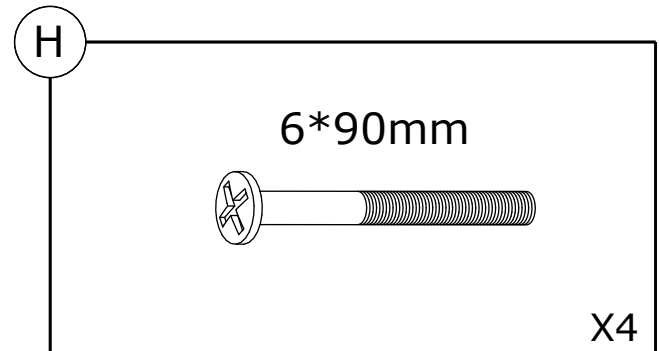
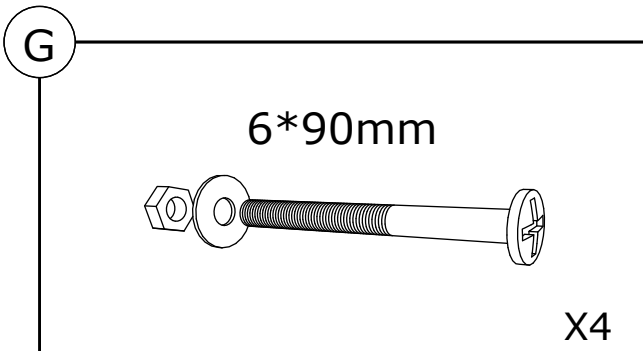
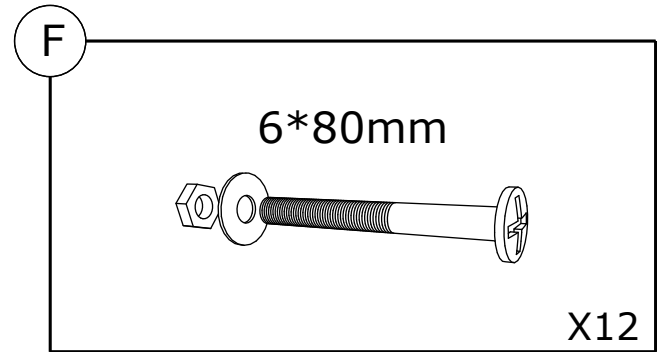
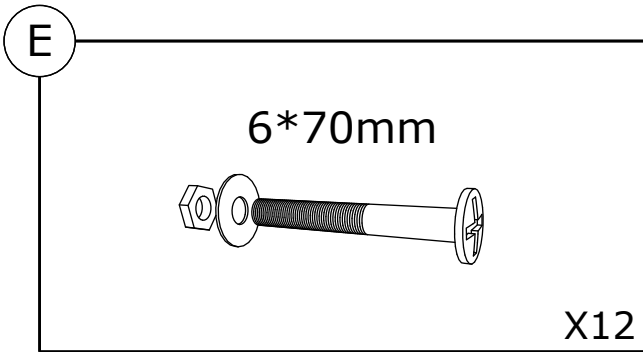
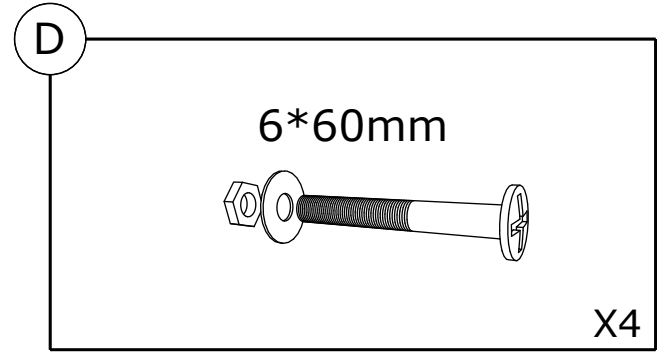
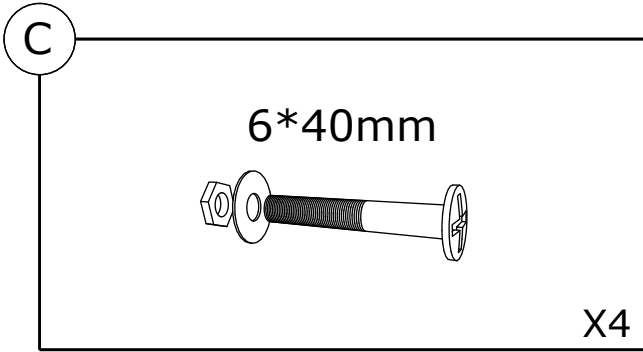
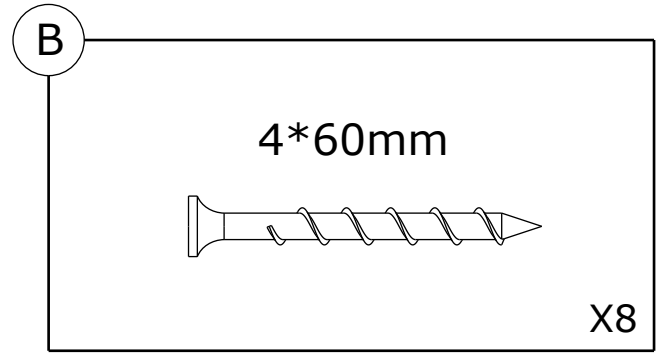
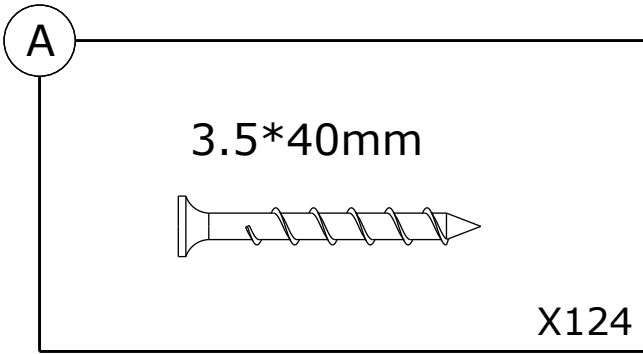
26

Canopy Fabric

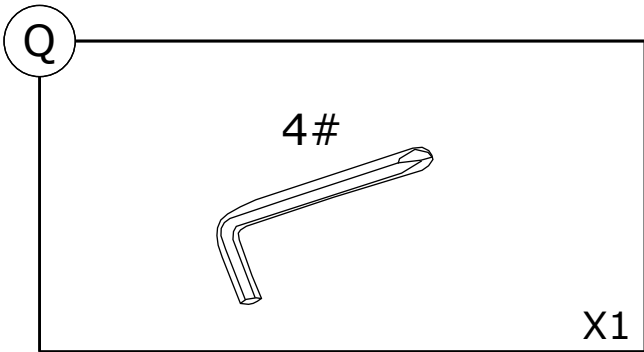
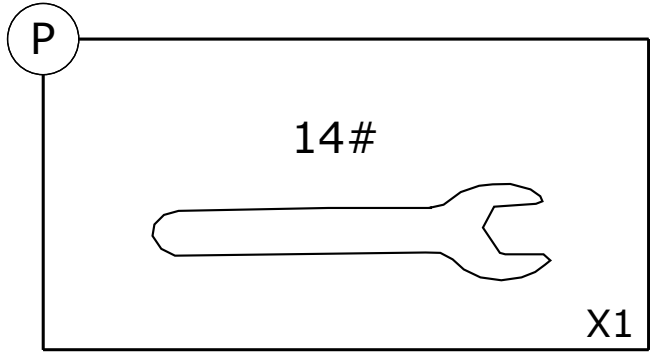
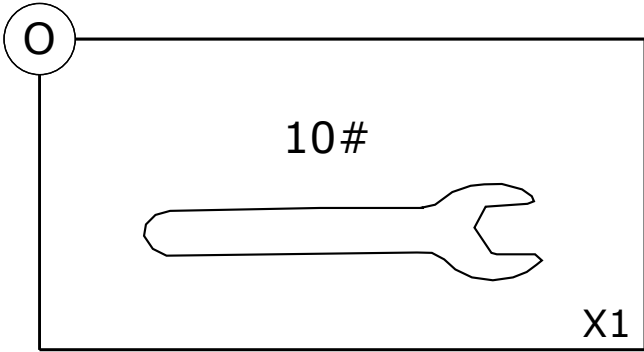
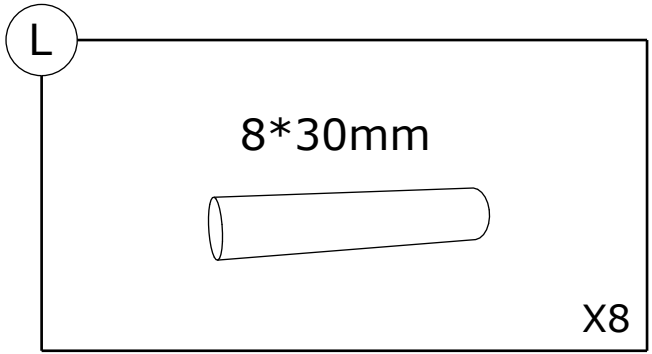
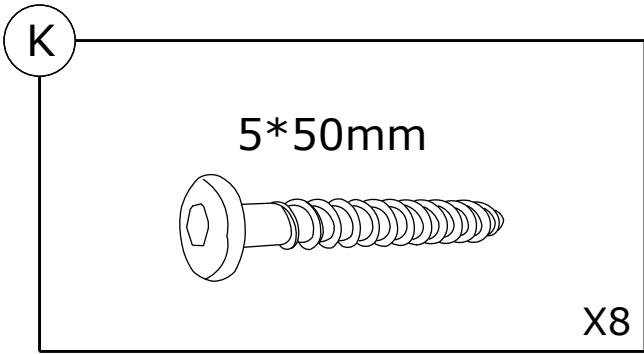


X1

Hardware

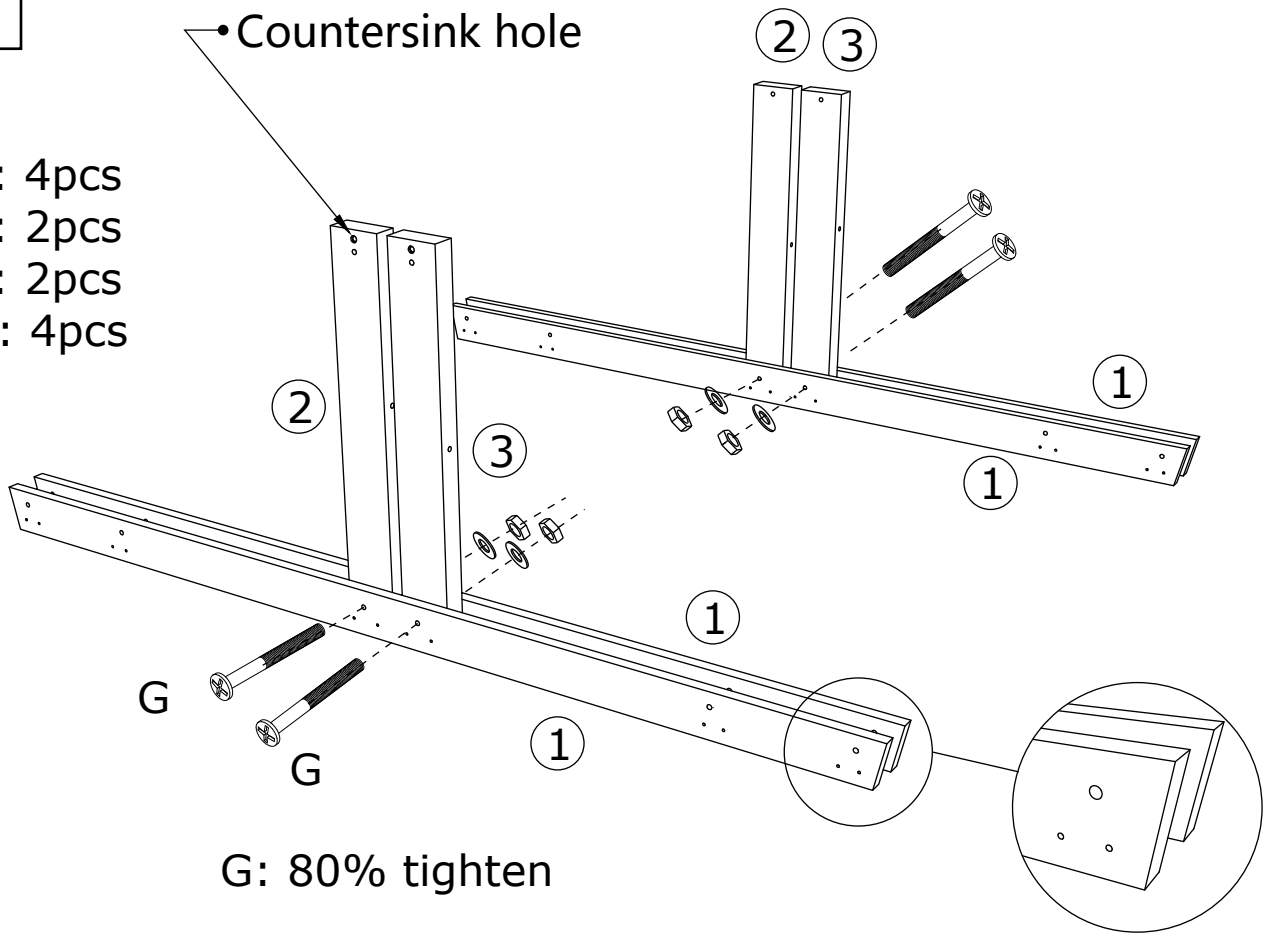


Hardware



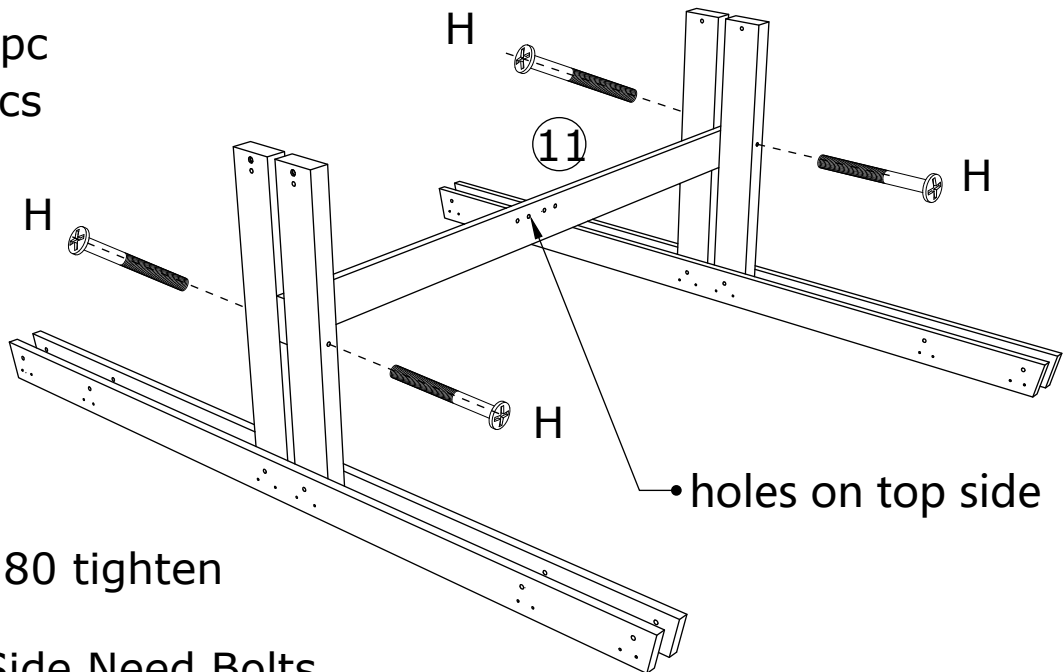
1

- ① : 4pcs
- ② : 2pcs
- ③ : 2pcs
- G : 4pcs



2

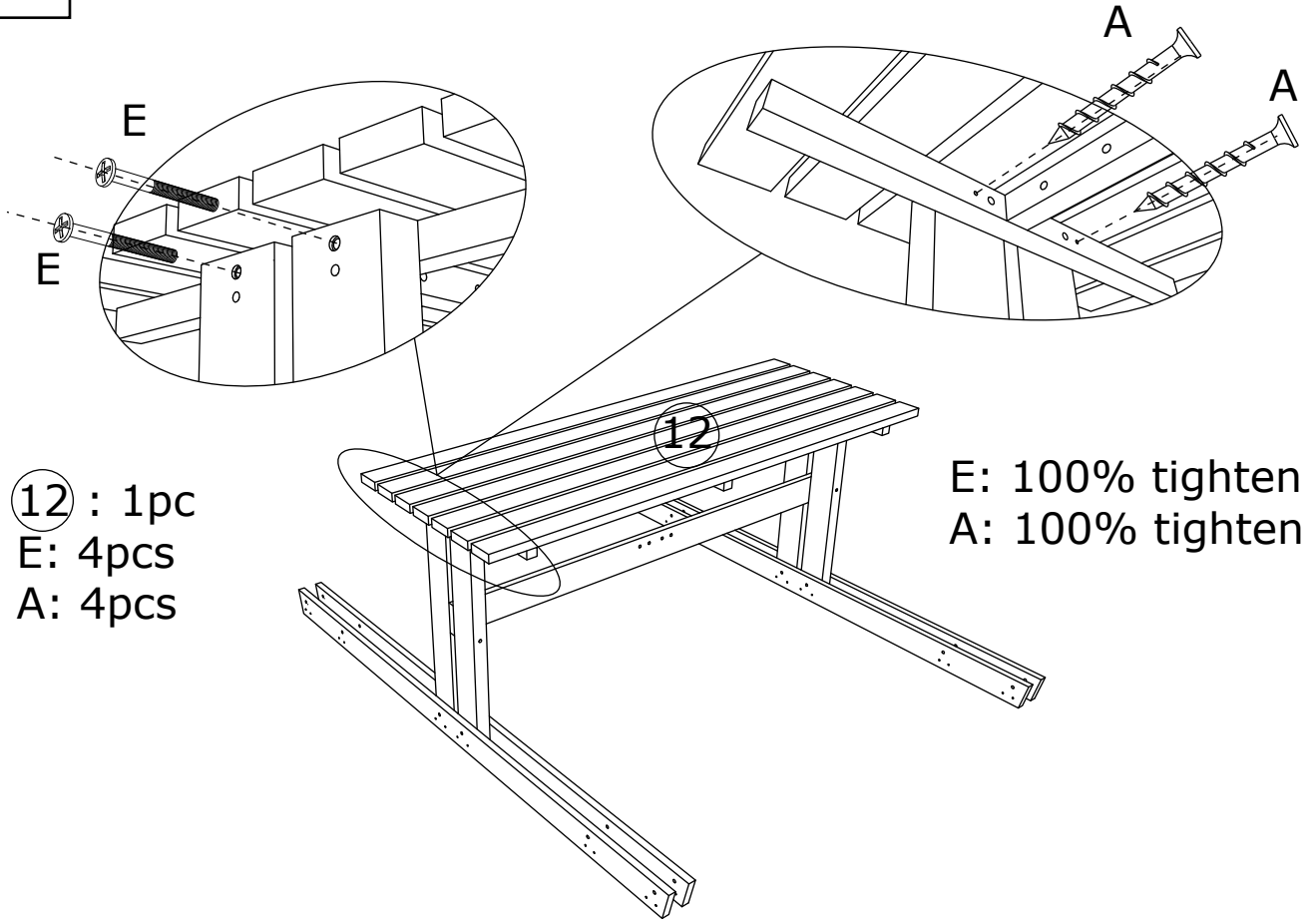
- ⑪ : 1pc
- H : 4pcs



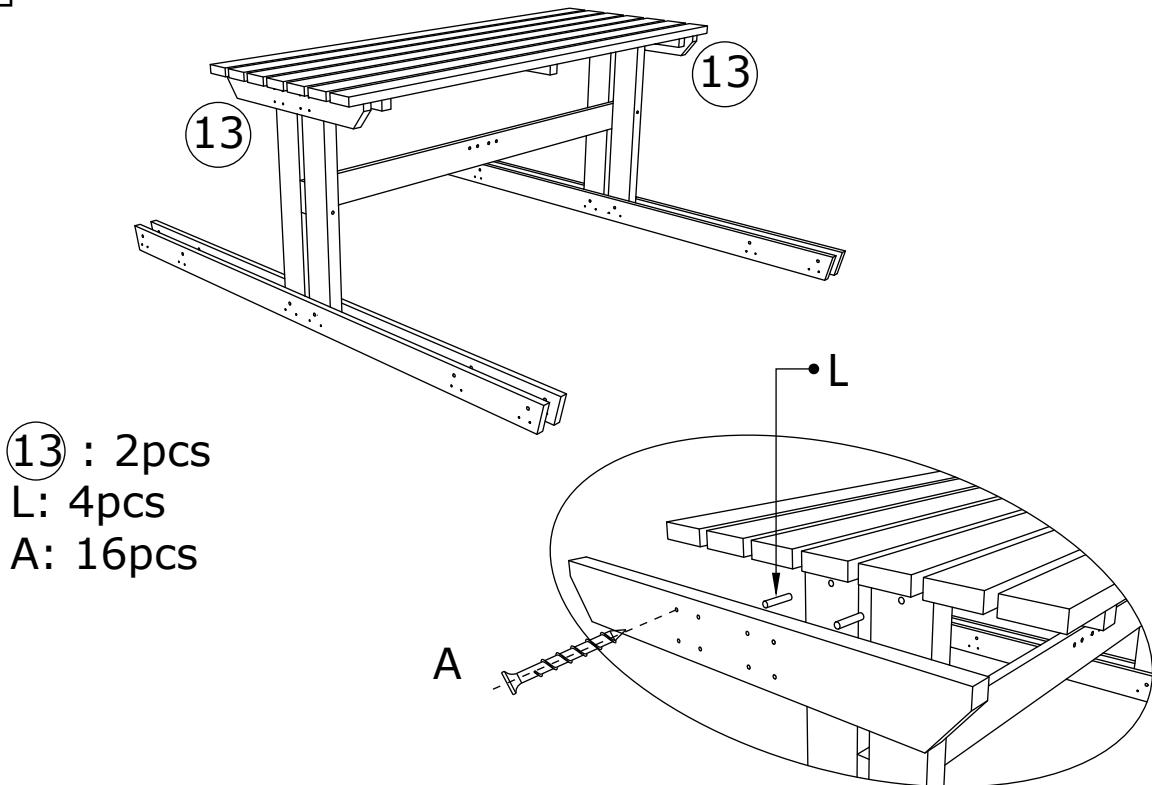
Both Side Need Bolts

The nut preassembled on the part H, use H to secure part 11  
Be Careful of finger pinching!!

3

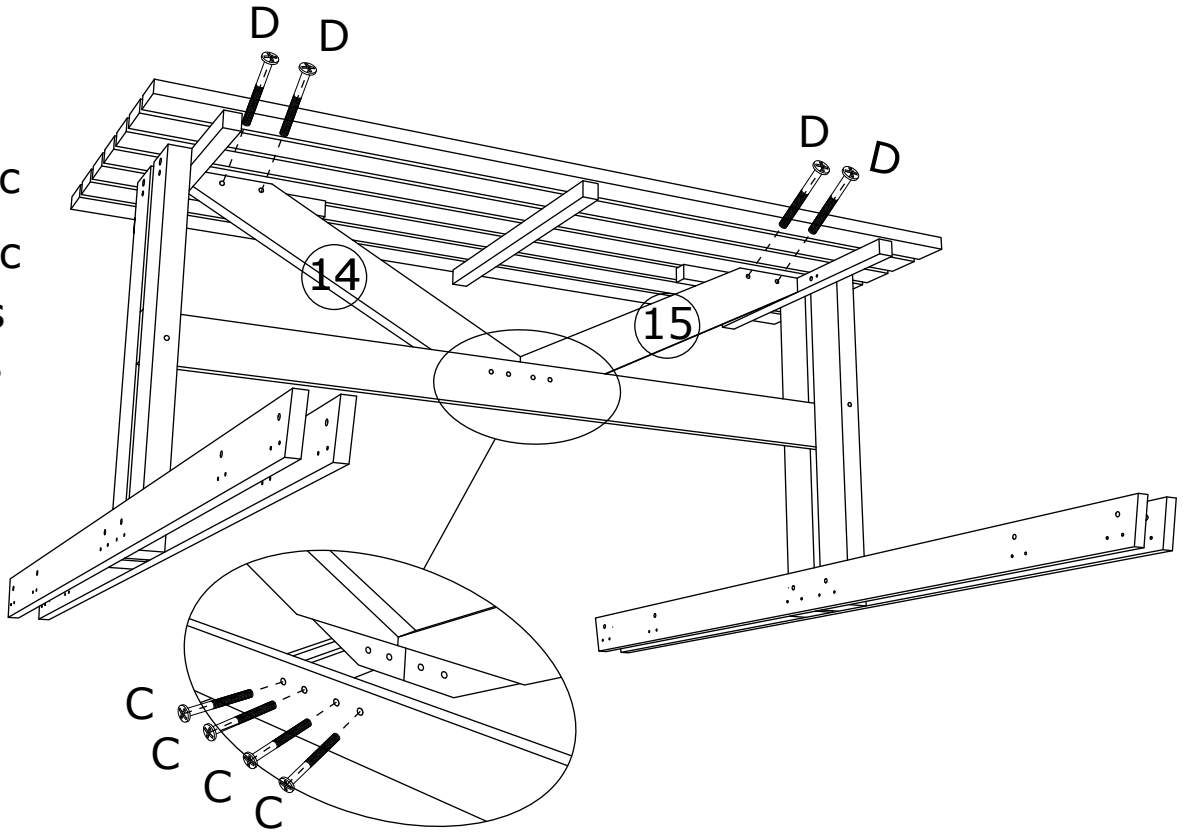


4



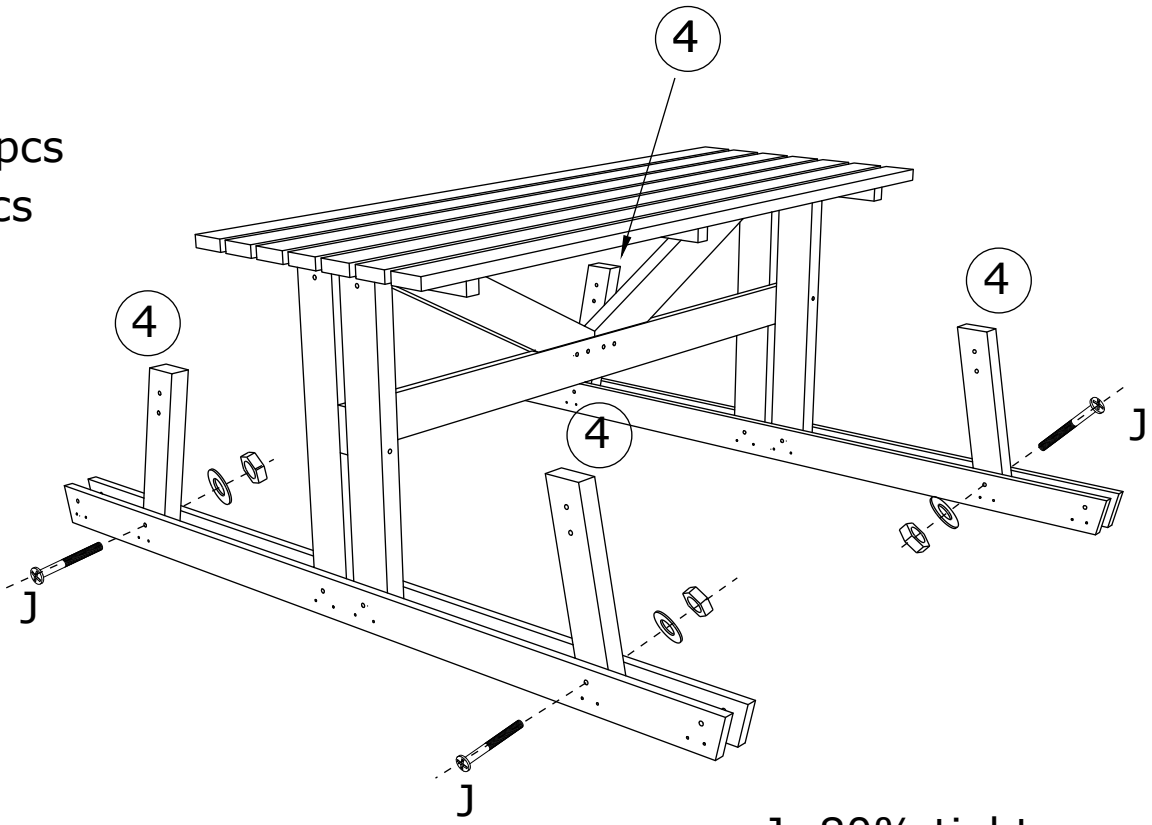
5

- ⑭ : 1pc
- ⑮ : 1pc
- D: 4pcs
- C: 4pcs



6

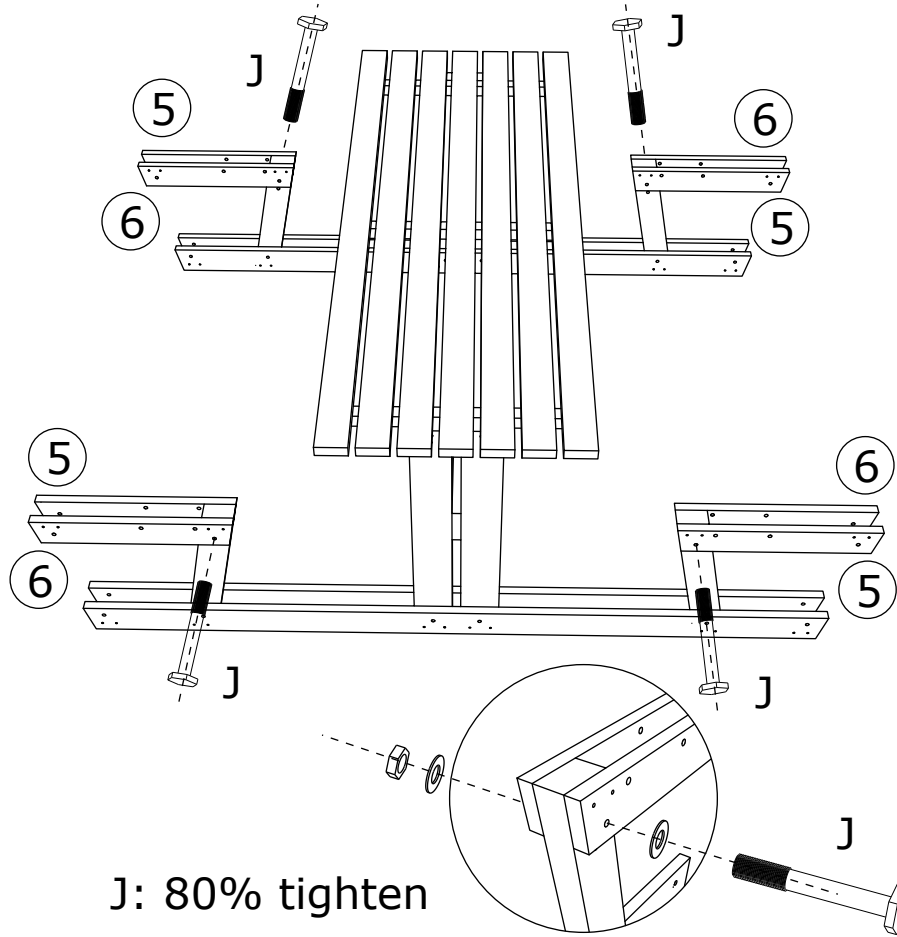
- ④ : 4pcs
- J: 4pcs



J: 80% tighten

7

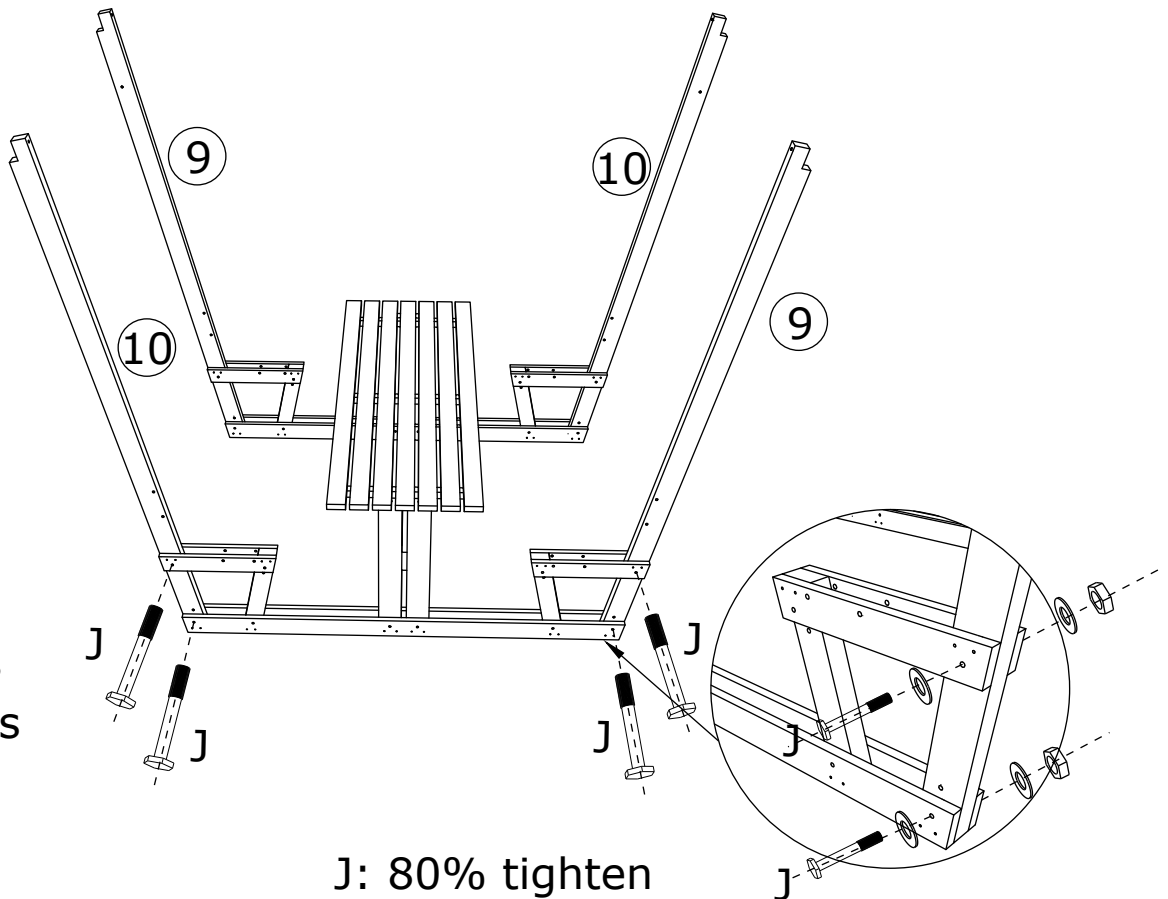
- ⑤ : 4pcs
- ⑥ : 4pcs
- J : 4pcs



Make sure the edges need to be aligned

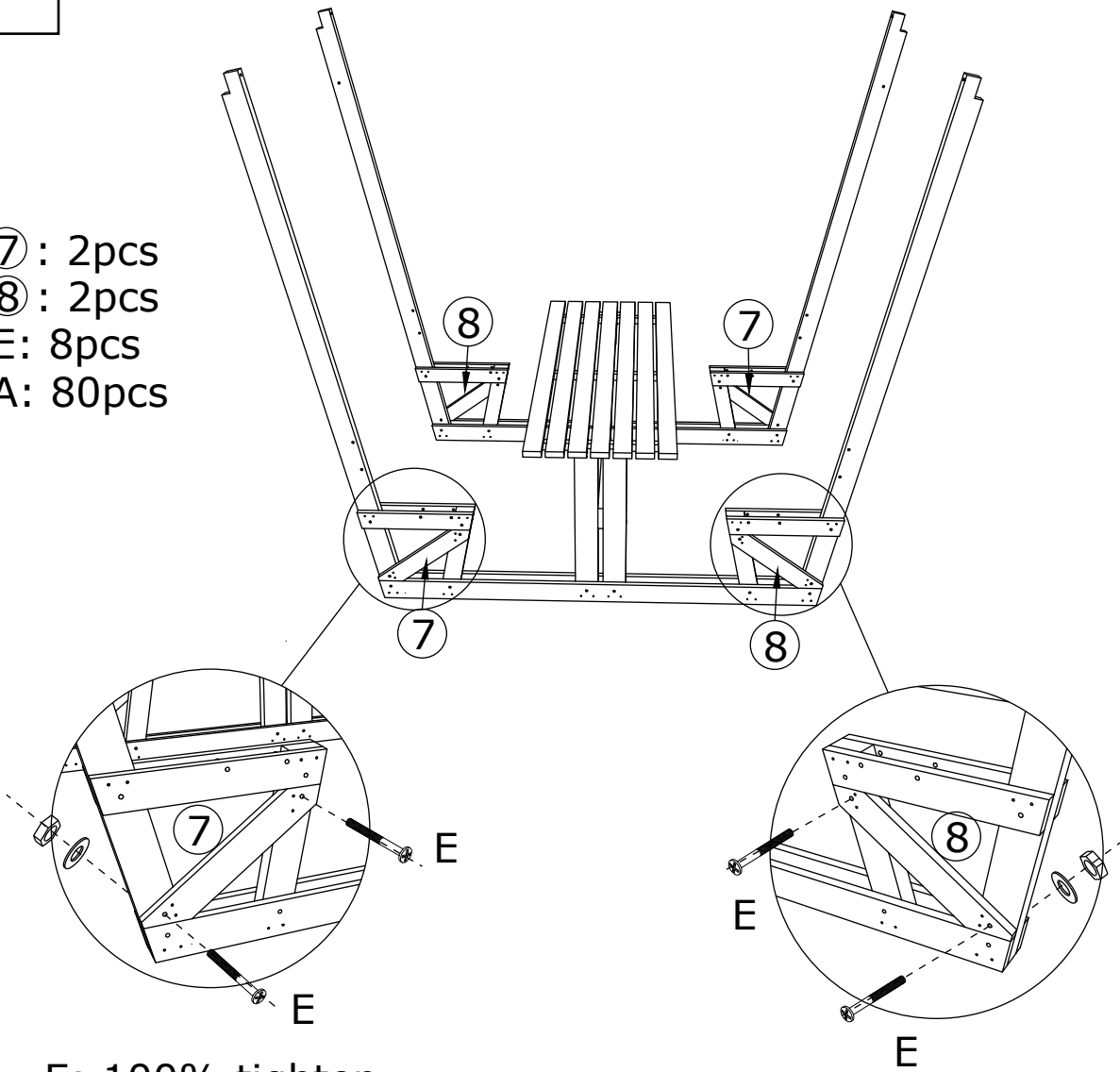
8

- ⑨ : 2pcs
- ⑩ : 2pcs
- J : 8pcs



Make sure the edges need to be aligned

- ⑦ : 2pcs
- ⑧ : 2pcs
- E : 8pcs
- A : 80pcs



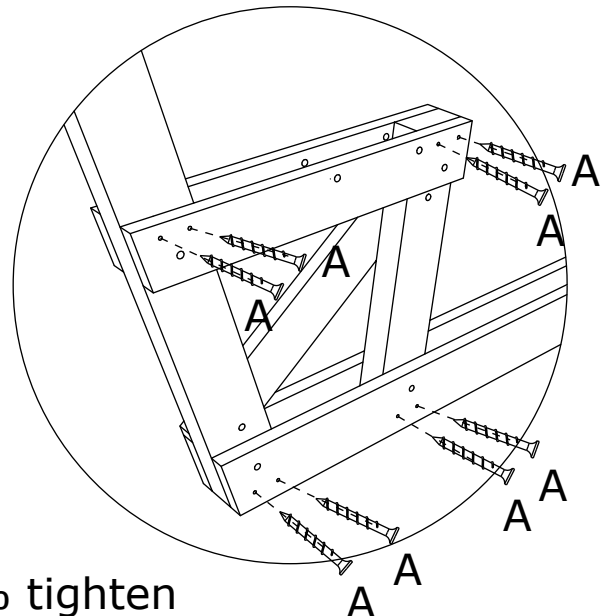
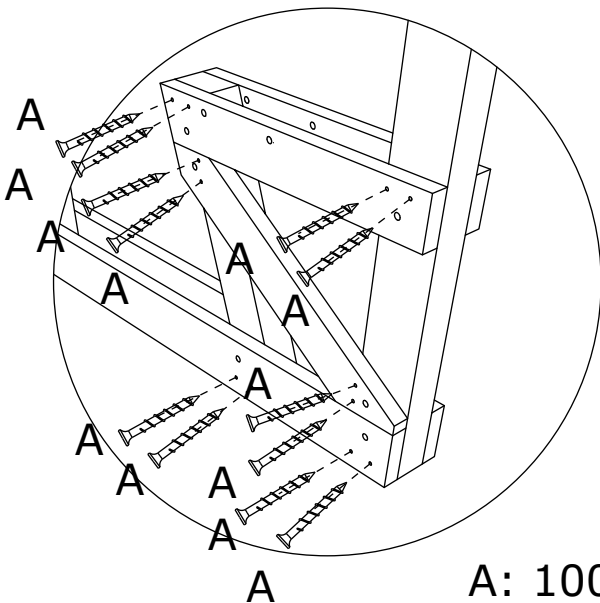
E: 100% tighten

Make sure the end edges must be aligned

Then use screw A to secure each one like below

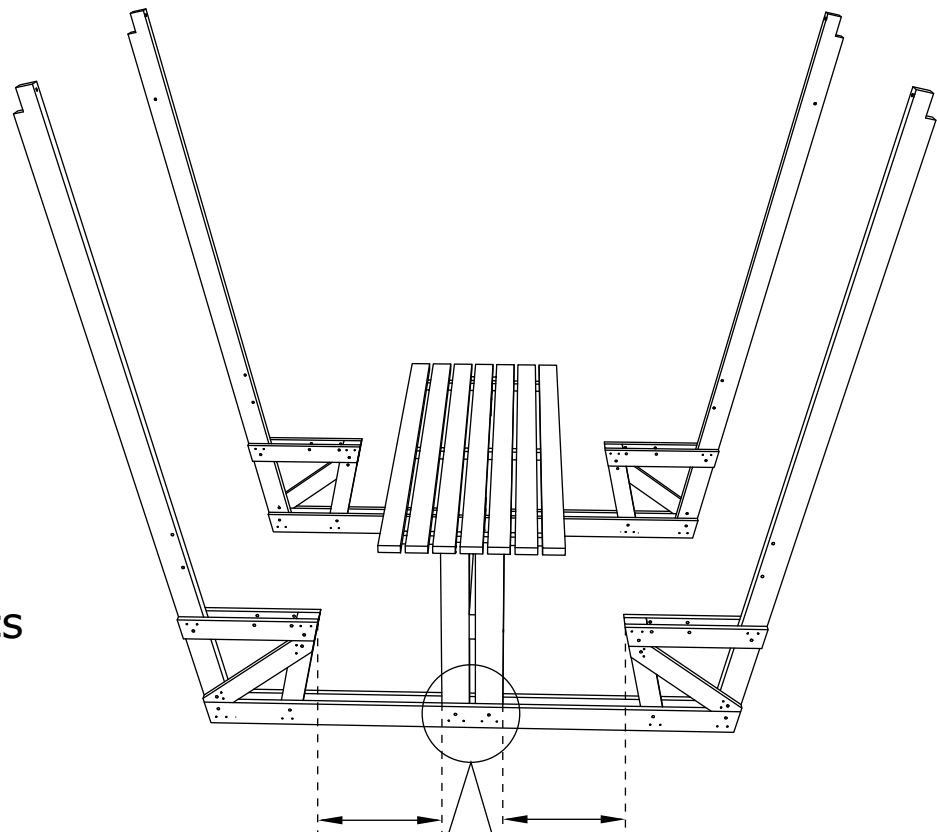
Outside

Innerside



A: 100% tighten

A: 16pcs

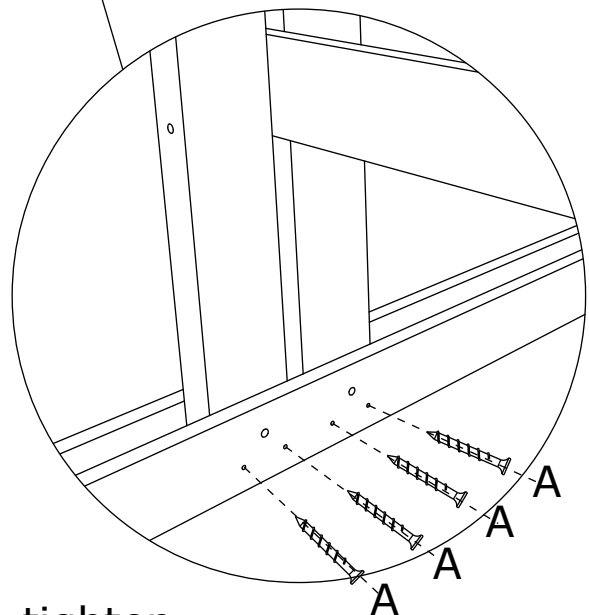
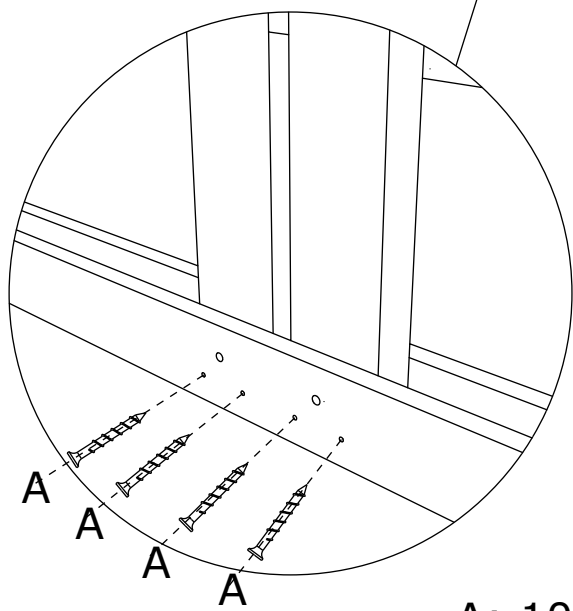


make sure the above distance is same by adjusting the table leg

Then fixed it by screws

Outside

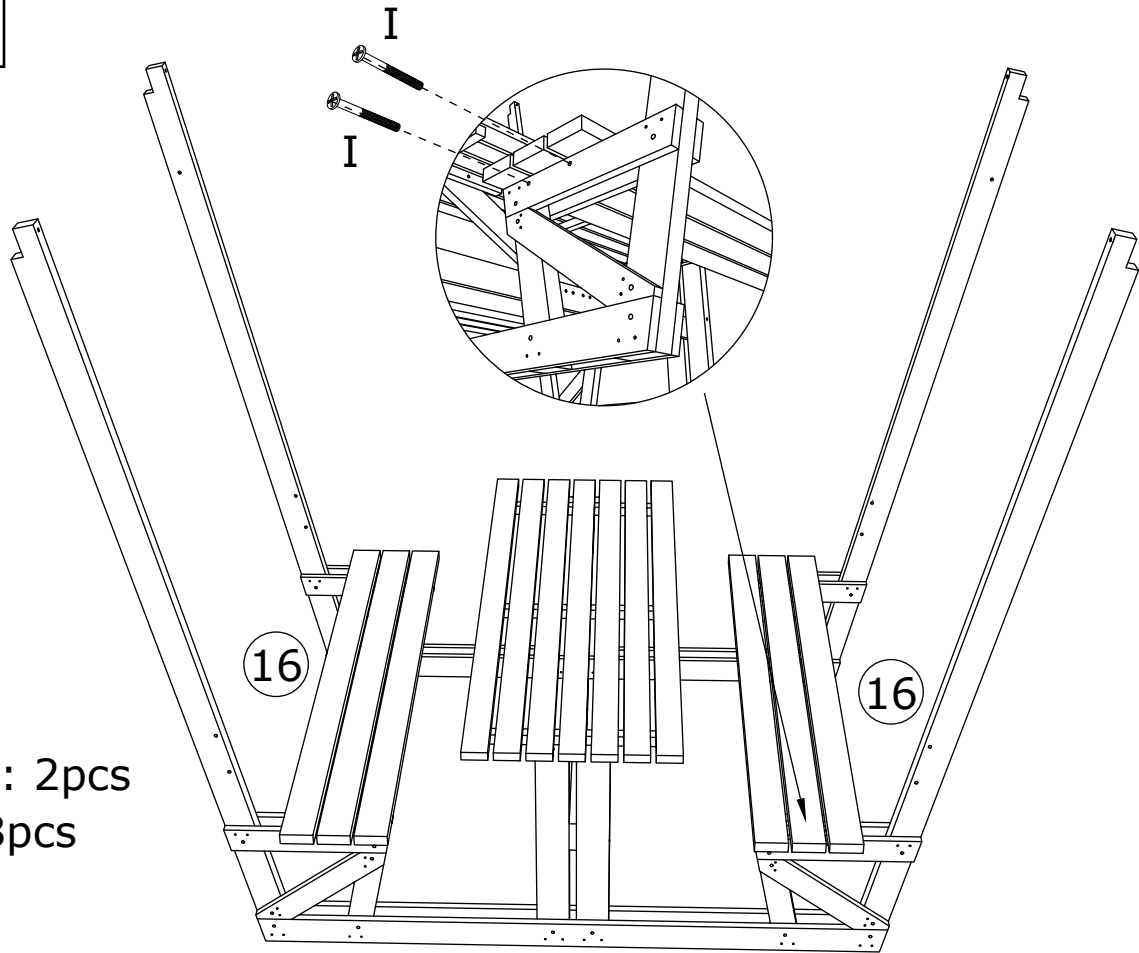
Innerside



A: 100% tighten

**Tighten All the bolts and screws from above steps to 100%**

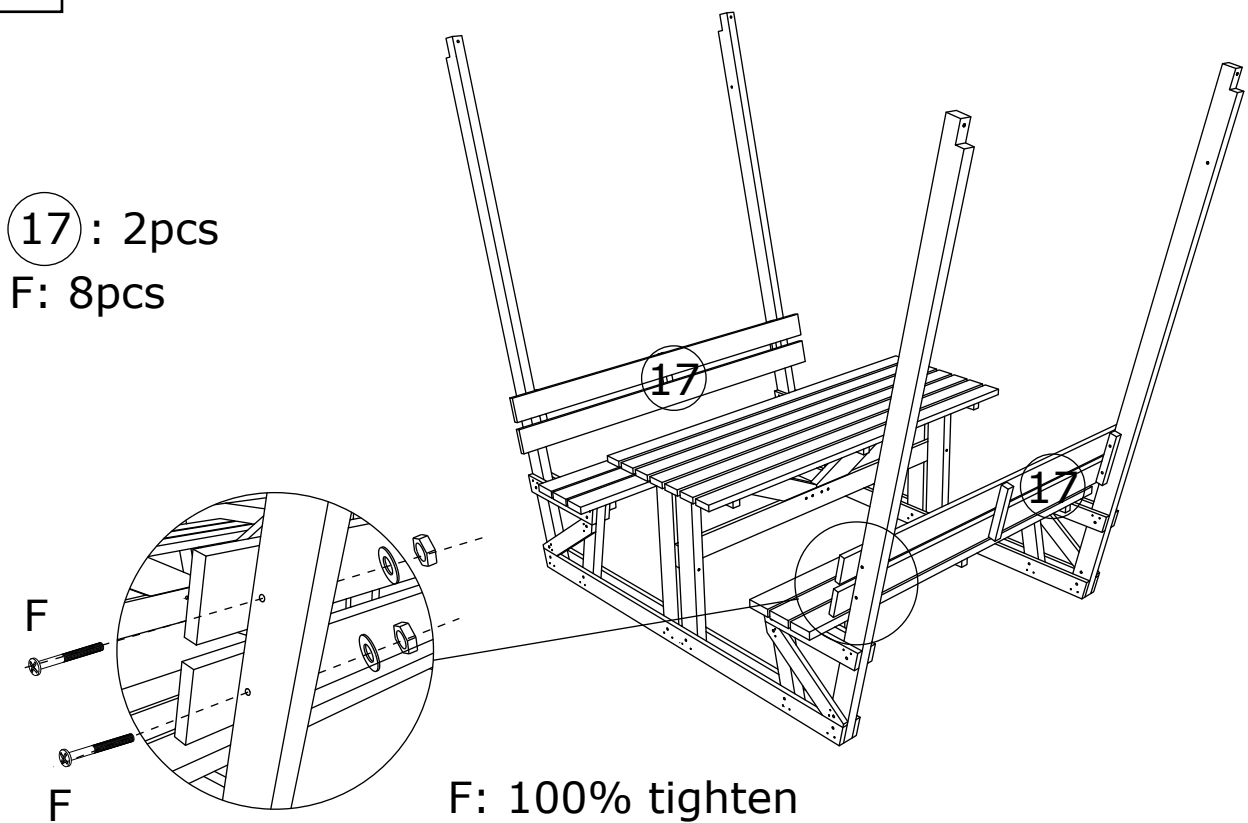
11



16 : 2pcs  
I: 8pcs

1: 100% tighten

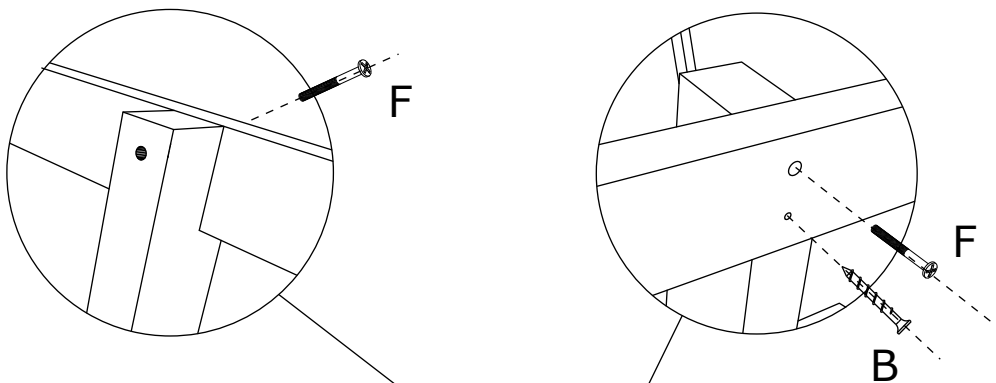
12



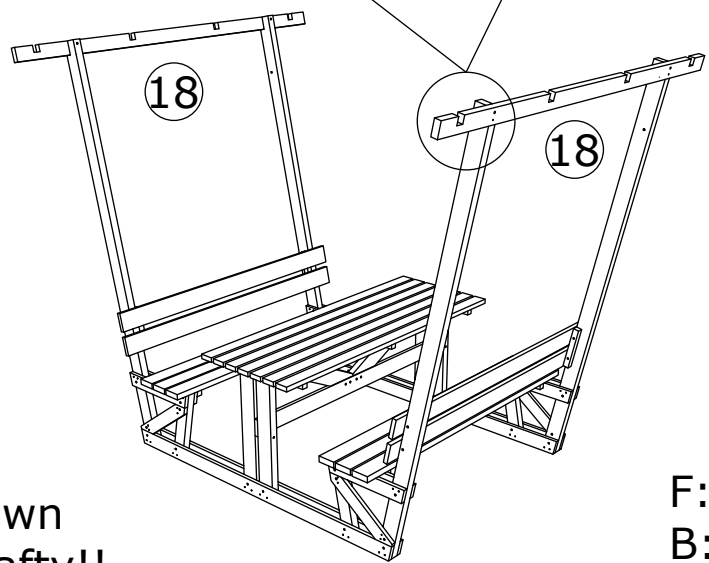
17 : 2pcs  
F: 8pcs

F: 100% tighten

13



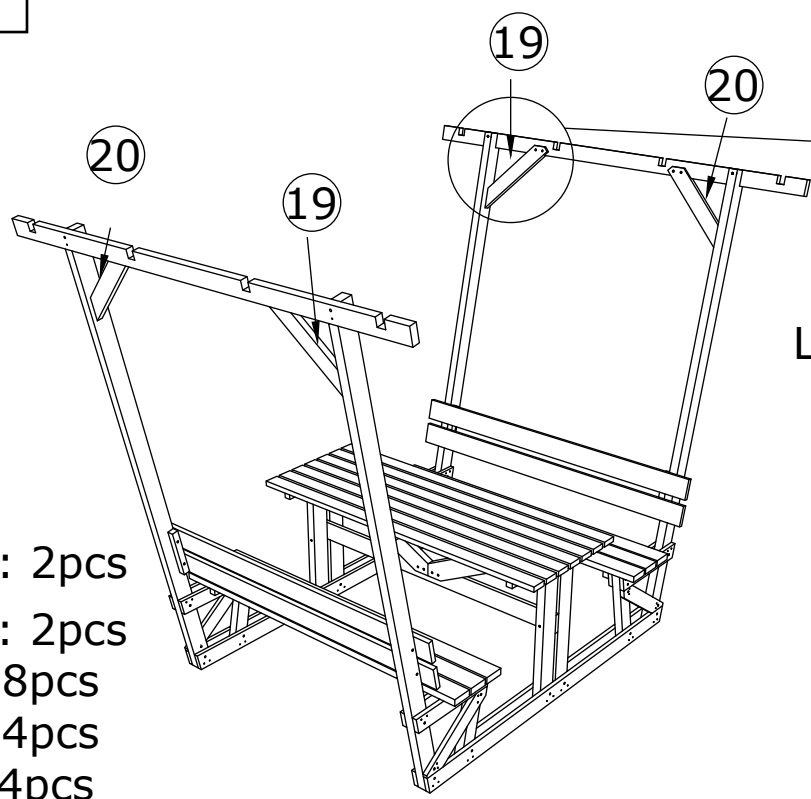
18 : 2pcs  
 F: 4pcs  
 B: 4pc



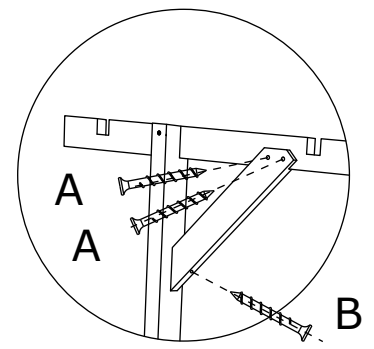
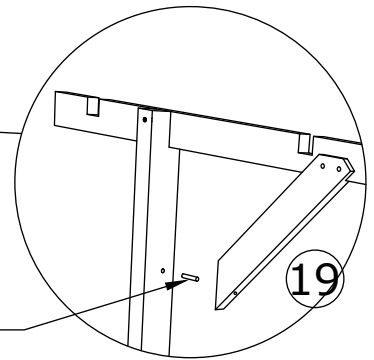
Install as shown  
 and ensure safty!!

F: 100% tigten  
 B: 100% tighten

14

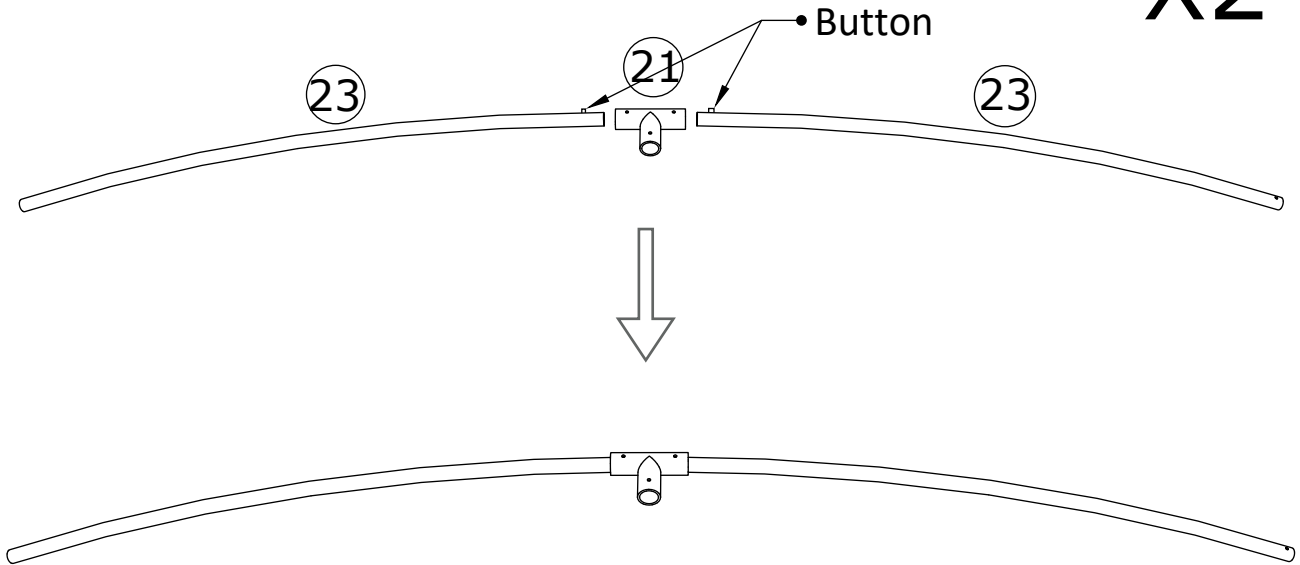


19 : 2pcs  
 20 : 2pcs  
 A: 8pcs  
 B: 4pcs  
 L: 4pcs



15

X2



press button then push 23 into 21

23 : 4pcs

21 : 2pcs

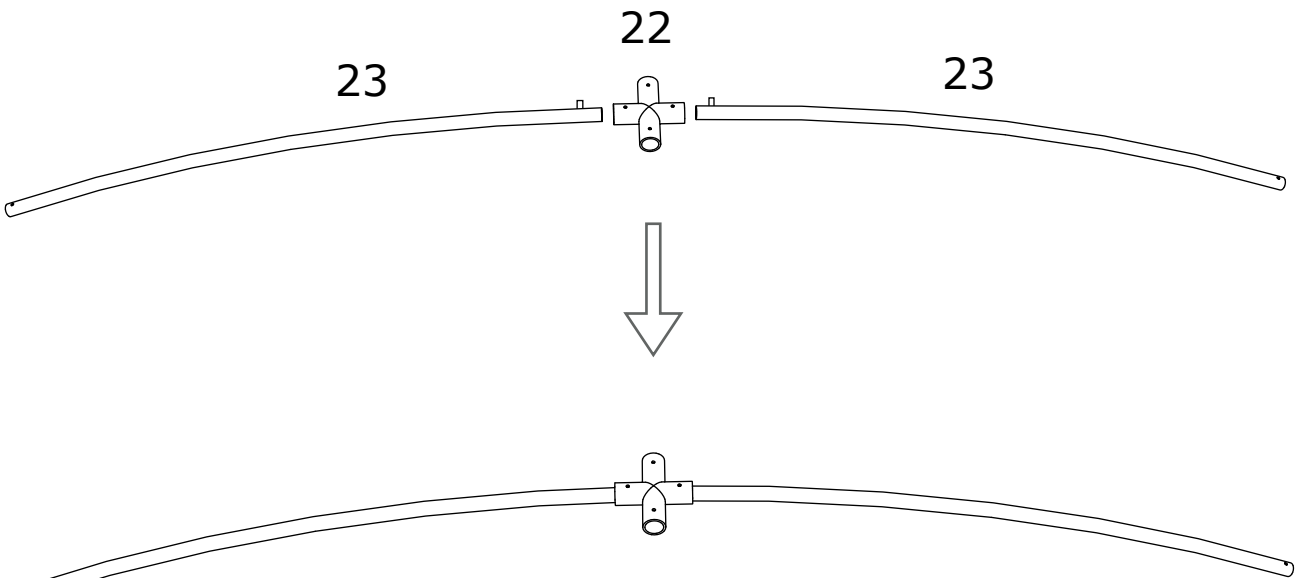
Group A

16

X2

23: 4pcs

22: 2pcs



press button then push 23 into 22

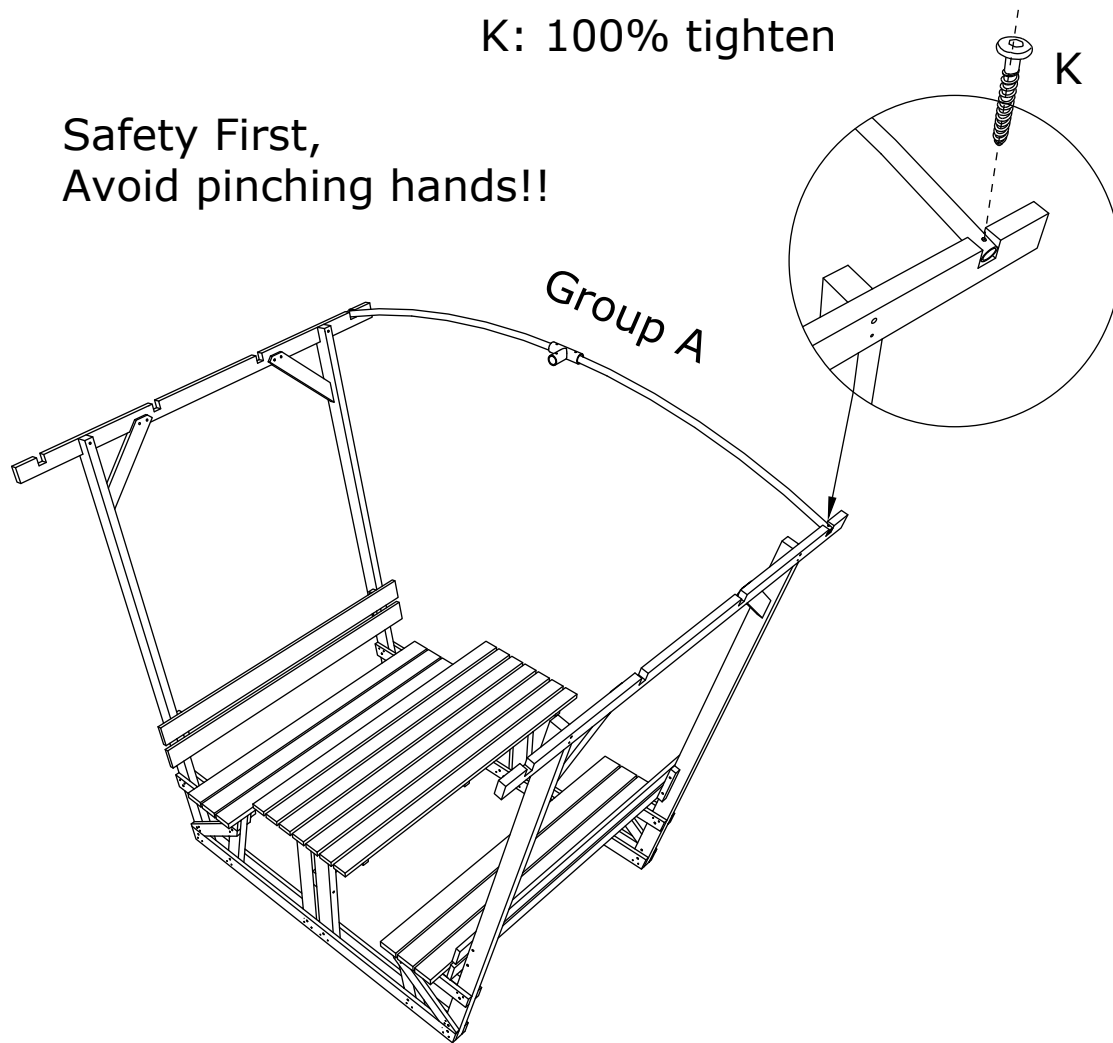
Group B

17

K: 100% tighten

K: 2pcs

Safety First,  
Avoid pinching hands!!

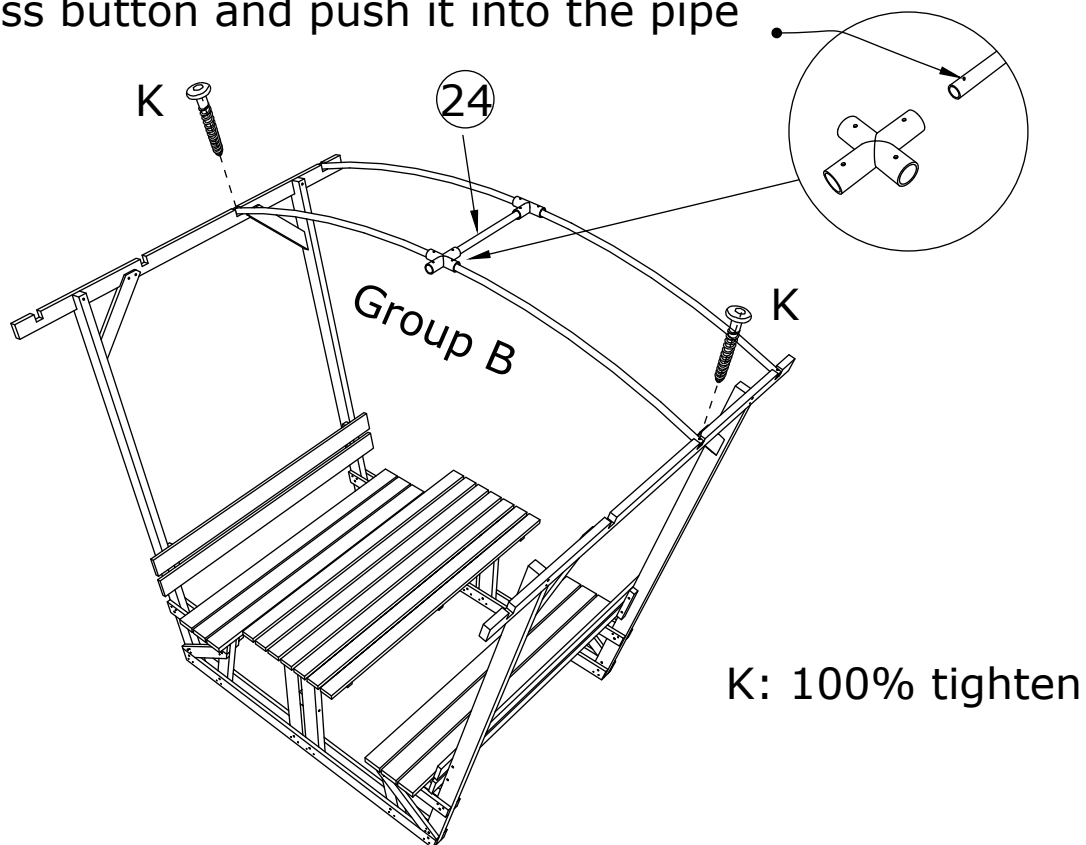


18

press button and push it into the pipe

24 : 1pc

K: 2pcs



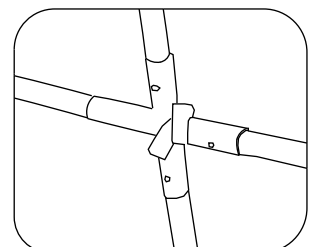
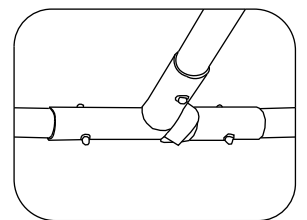
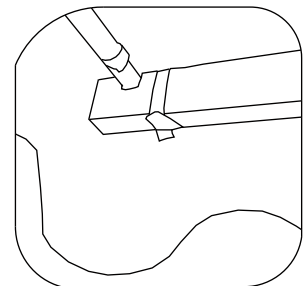
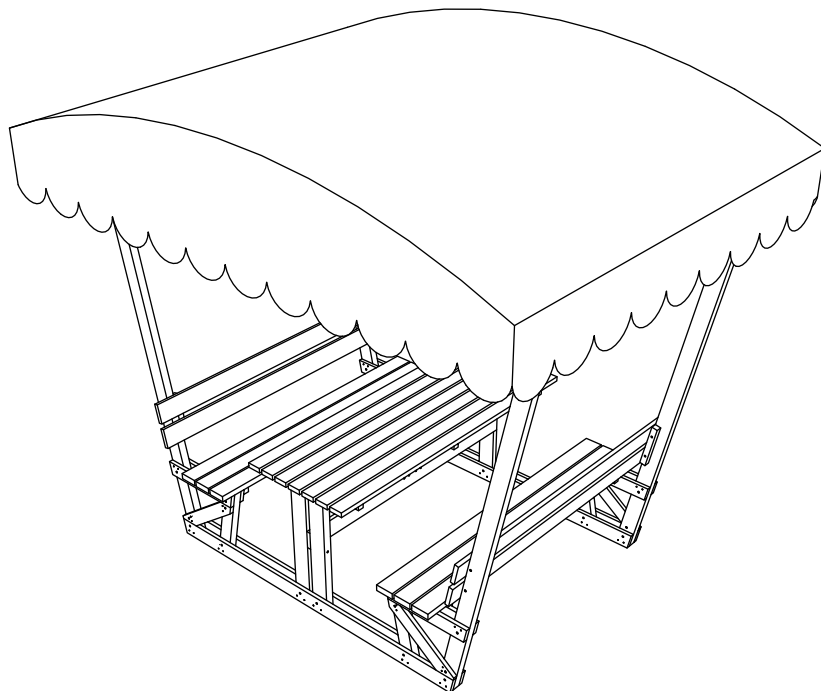
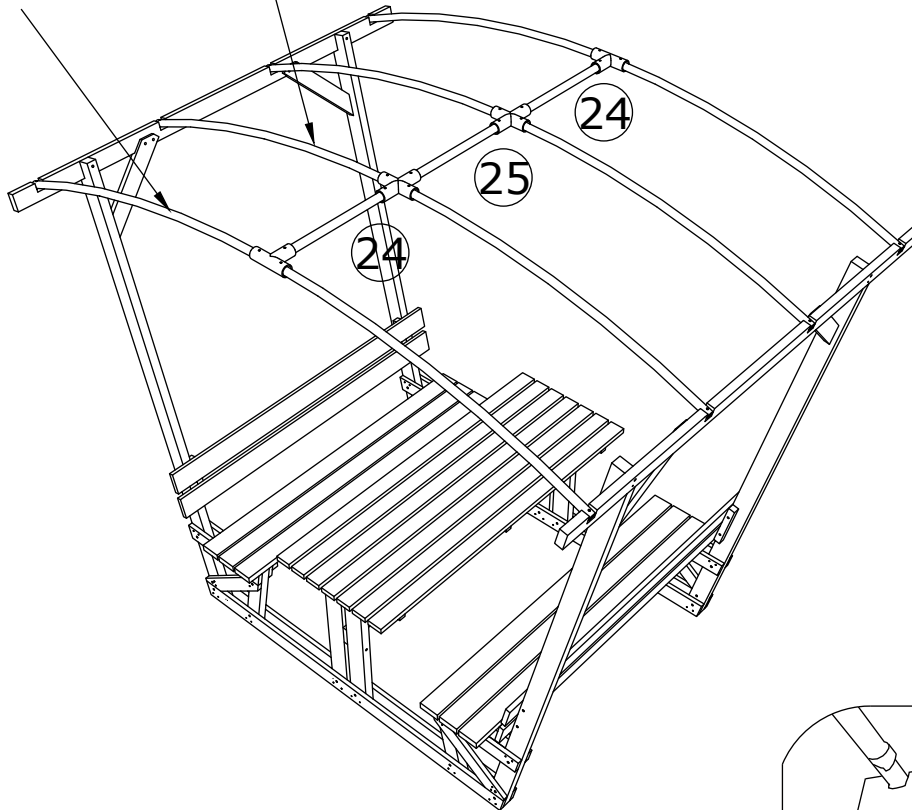
K: 100% tighten

Group B

K: 100% tighten

Group A

- 24: 1pcs
- 25: 1pcs
- K: 4pcs
- 26: 1pc



Install the canopy and ensure safety!  
 Align the four corners of the tarp with the four corners of the wooden frame, making sure all four sides are neat and even. Fasten all the Velcro straps securely, and make sure everything is tightly tie