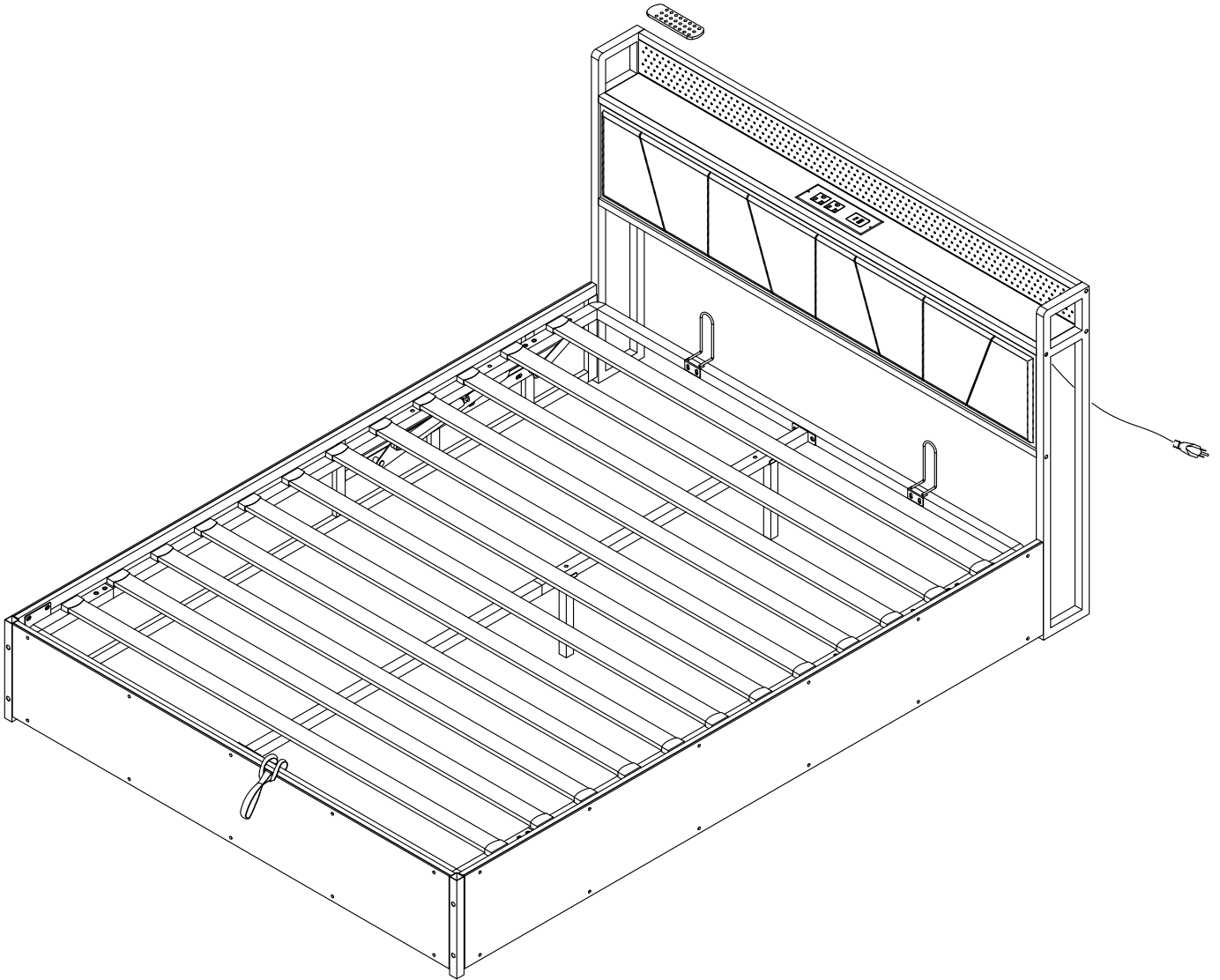


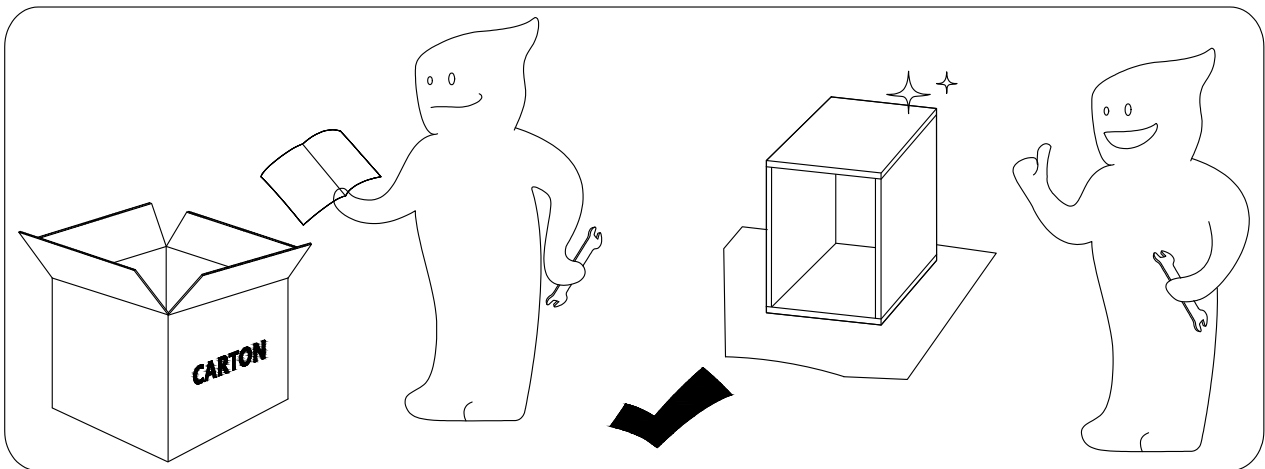
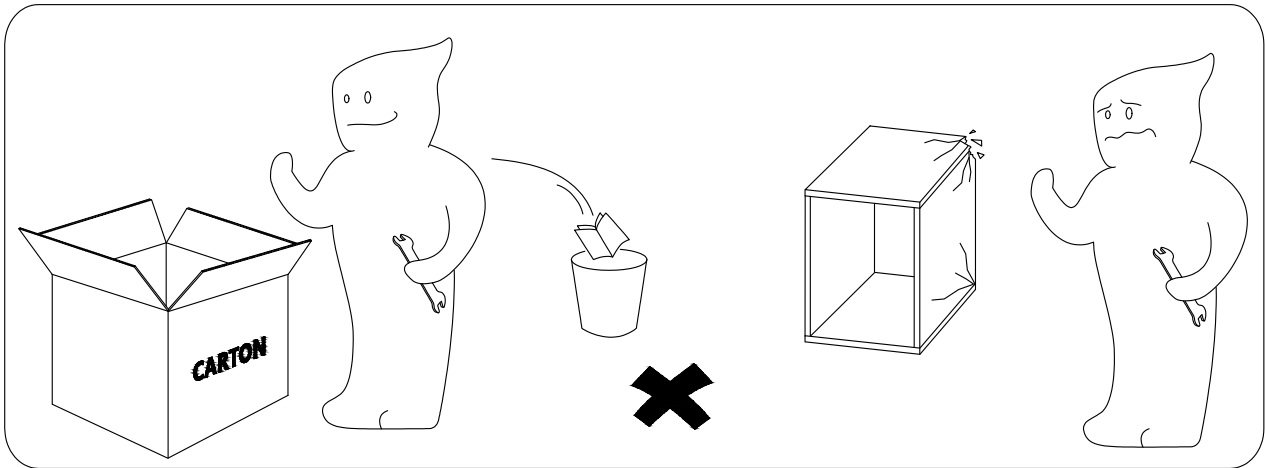
# Lift Up Storage Platform Bed Frame



Dear Customers,  
Thank you for purchasing our product. Please read this instruction manual carefully after receiving this product. It will help you assemble this product quickly, safely and correctly. You can keep this manual for future reference.

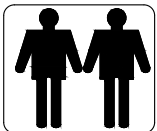
# ! IMPORTANT

Please follow the instruction manuals and use a pad to protect the product during your assembly.

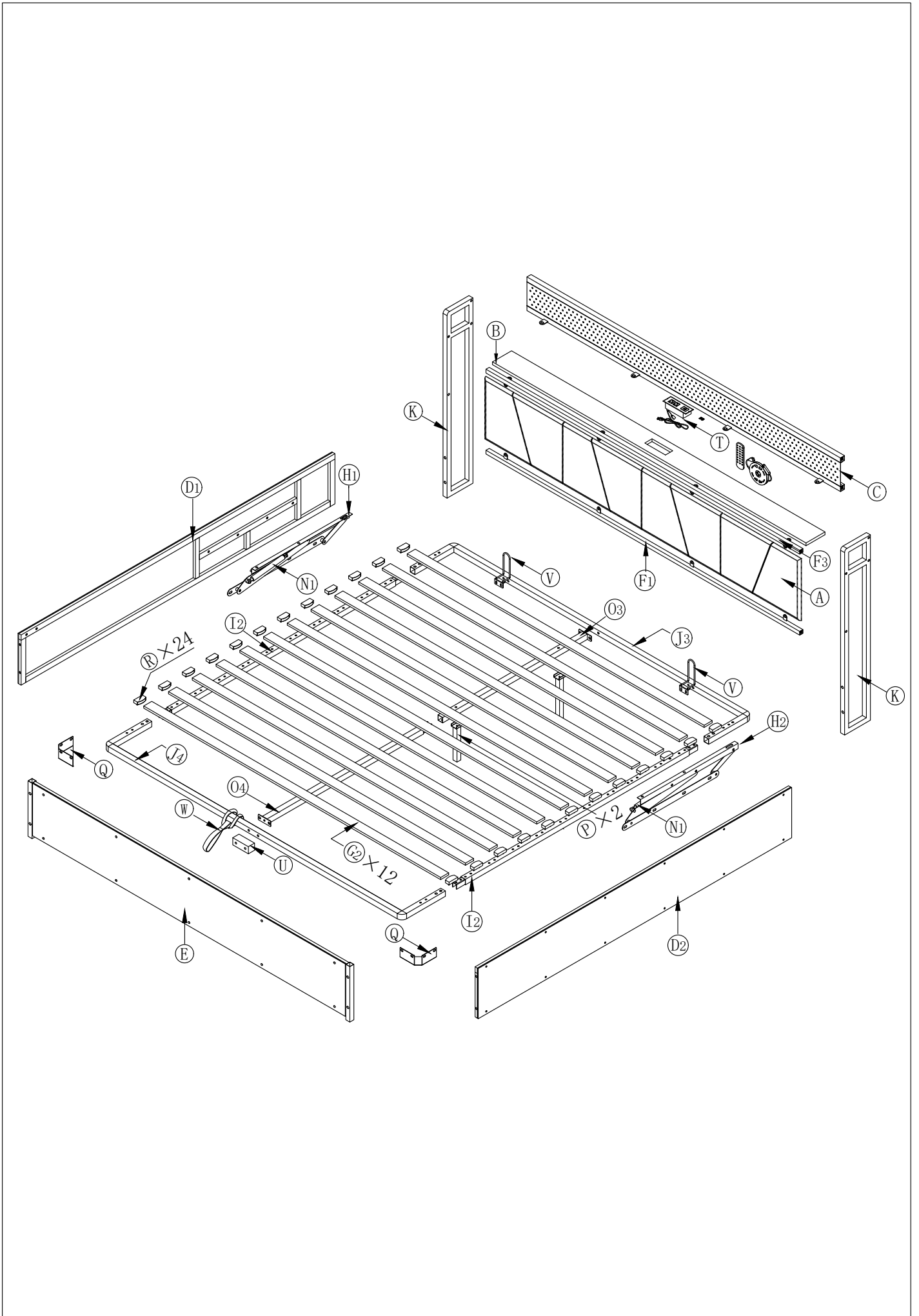


Note:

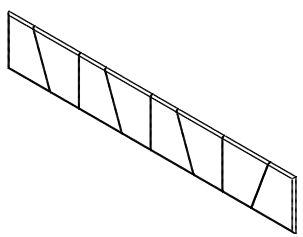
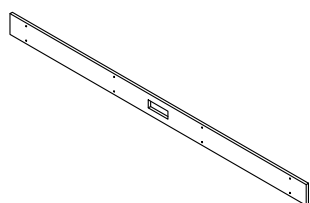
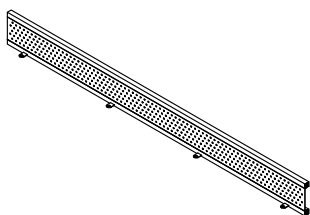
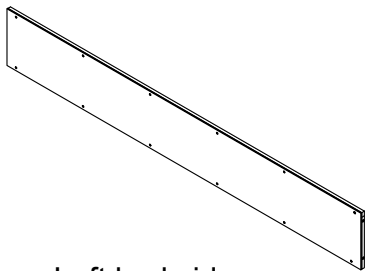
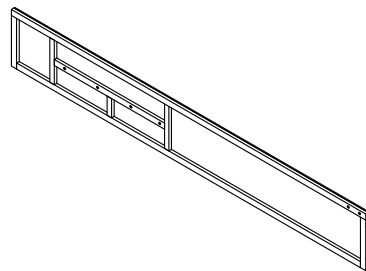
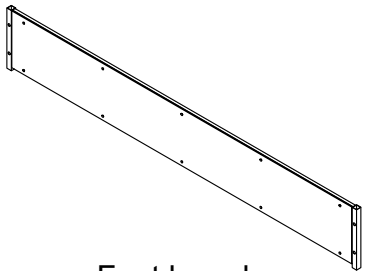
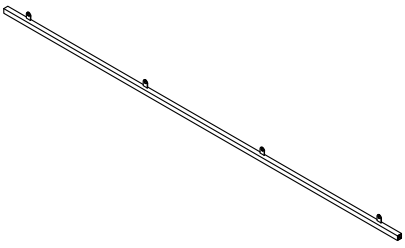
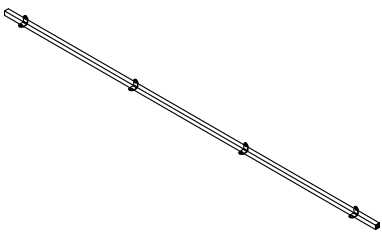
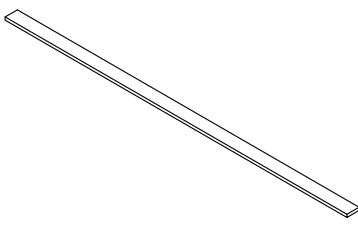
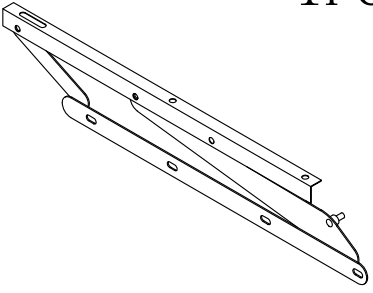
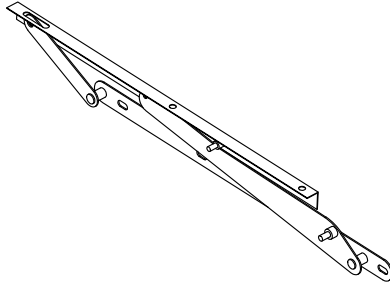
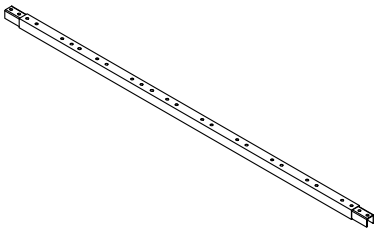
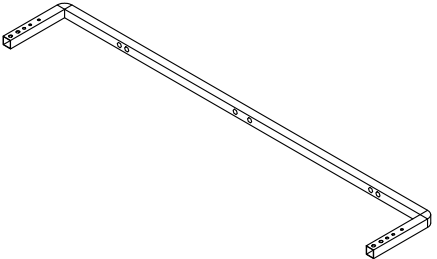
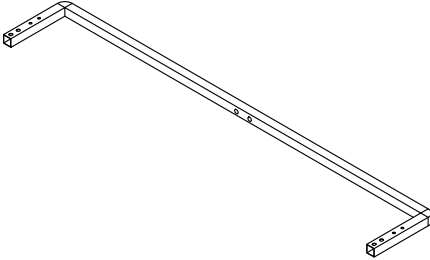
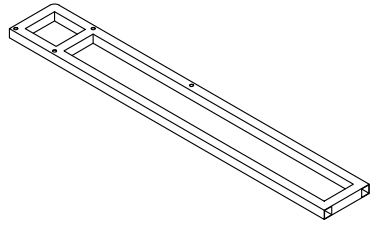
1. Should be assembled on flat ground to keep balance.
2. Before completing the installation, do not tighten the screws.



For easier and better assembly, 2 or more adults are required.

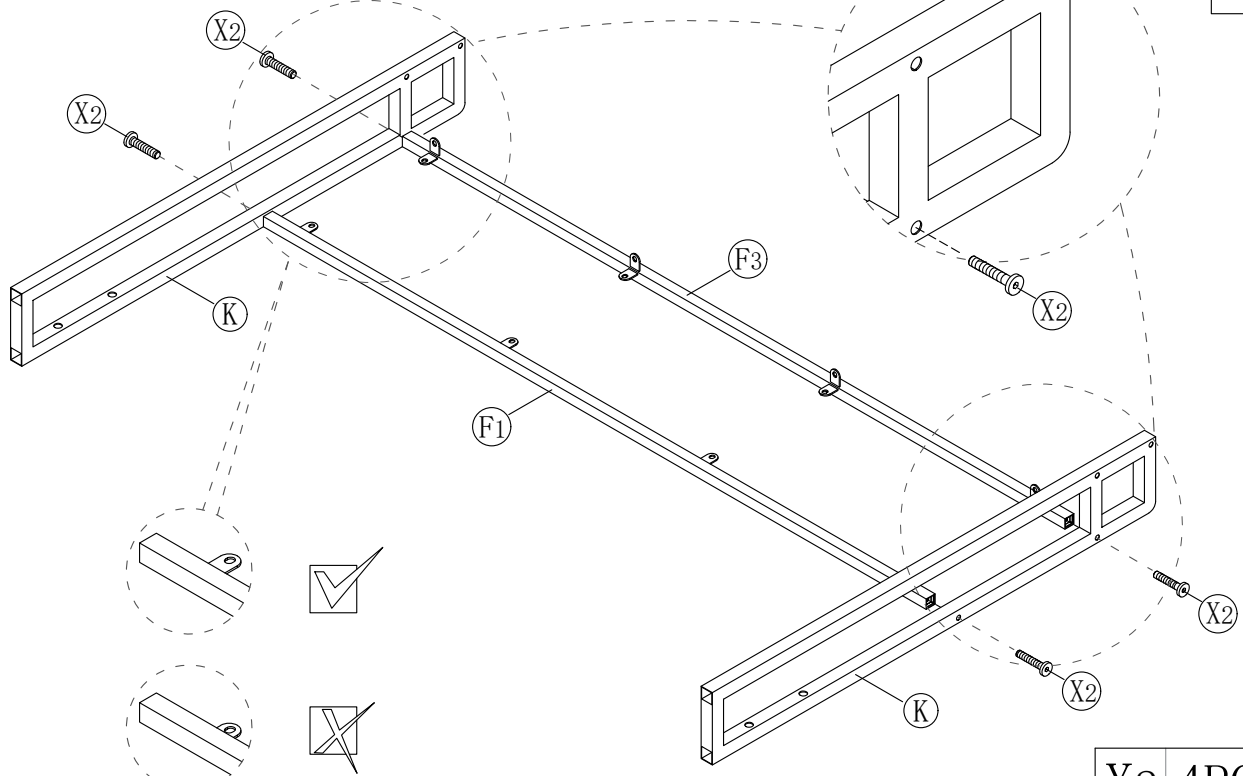



# Part list

<p>A 1PC</p>  <p>Front headboard</p>	<p>B 1PC</p>  <p>Top headboard</p>	<p>C 1PC</p>  <p>Back of the headboard</p>
<p>D1 1PC</p>  <p>Left bed side</p>	<p>D2 1PC</p>  <p>Right bed side</p>	<p>E 1PC</p>  <p>Foot board</p>
<p>F1 1PC</p> 	<p>F3 1PC</p> 	<p>G2 12PCS</p>  <p>Slat</p>
<p>H1 1PC</p>  <p>Left lift frame</p>	<p>H2 1PC</p>  <p>Right lift frame</p>	<p>I2 2PCS</p> 
<p>J3 1PC</p> 	<p>J4 1PC</p> 	<p>K 2PCS</p> 

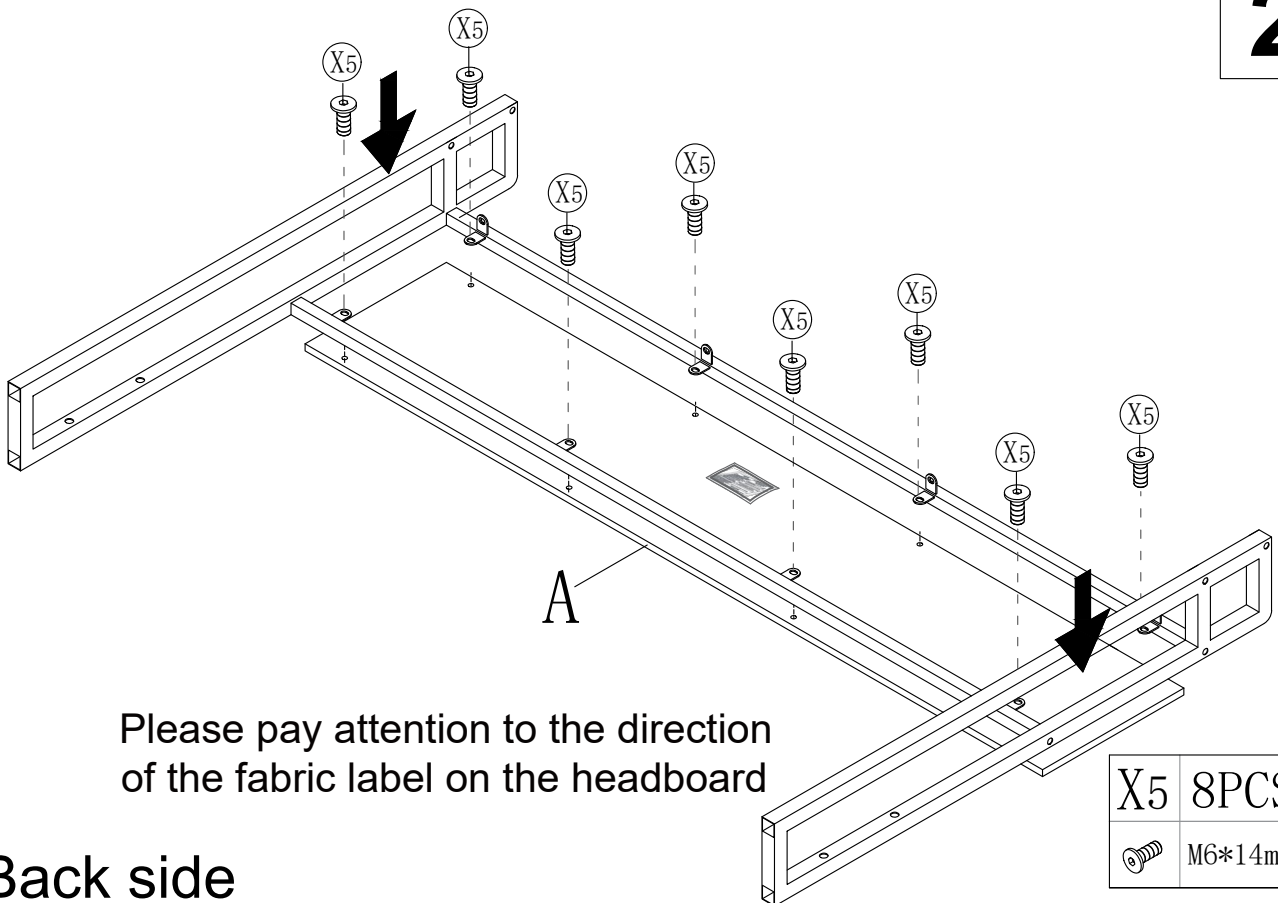


1




X2	4PCS
	M8*40mm

2

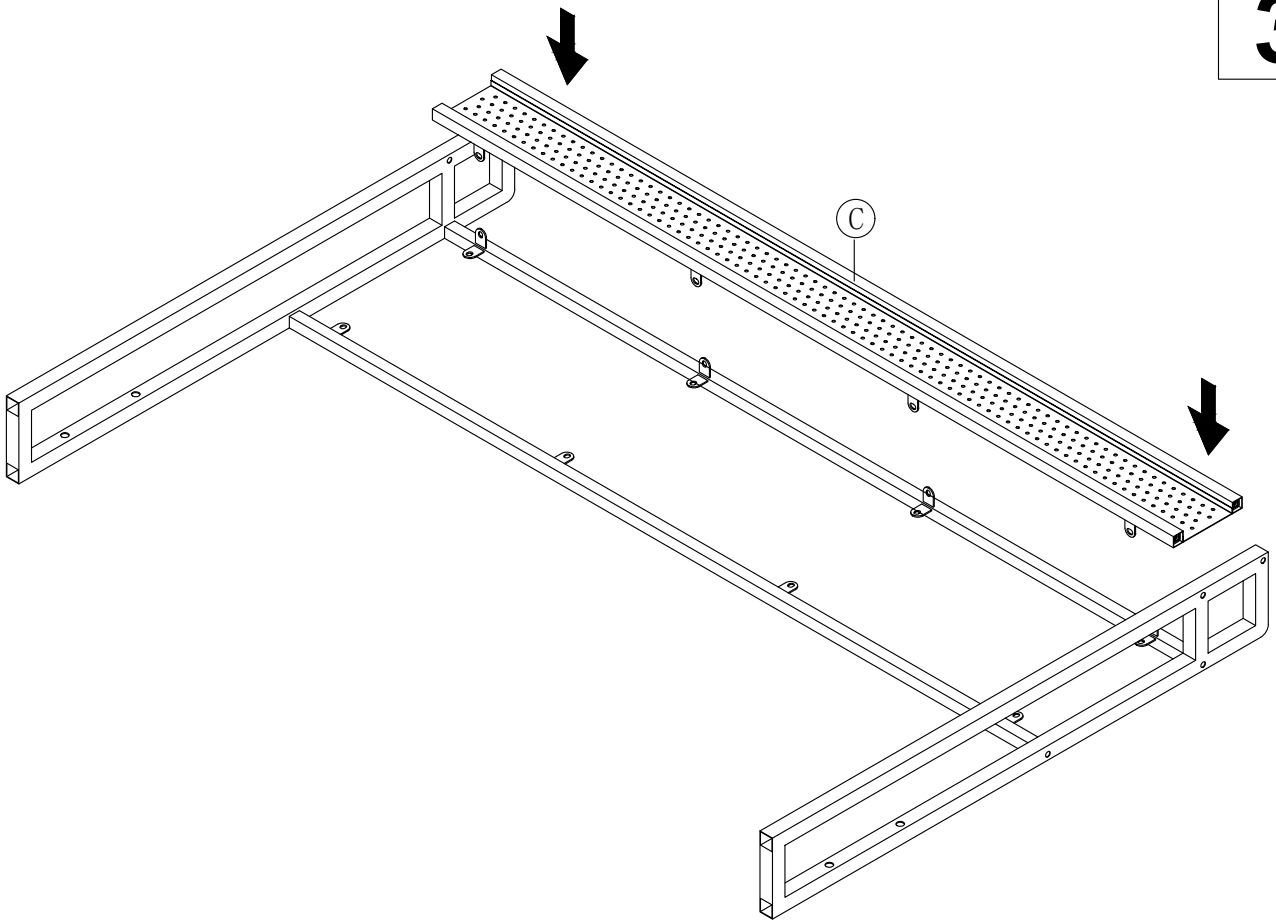


Please pay attention to the direction of the fabric label on the headboard

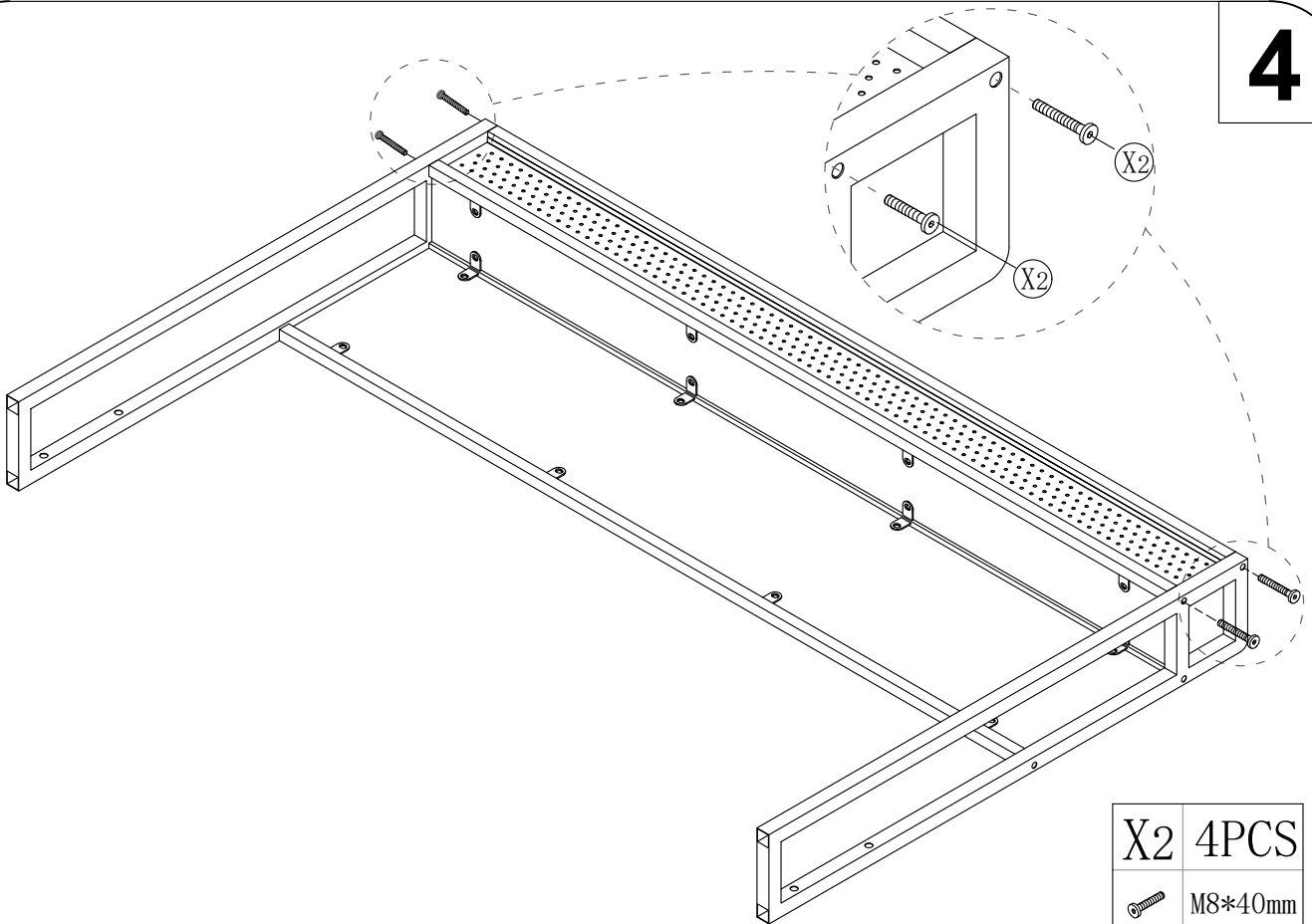
X5	8PCS
	M6*14mm

Back side

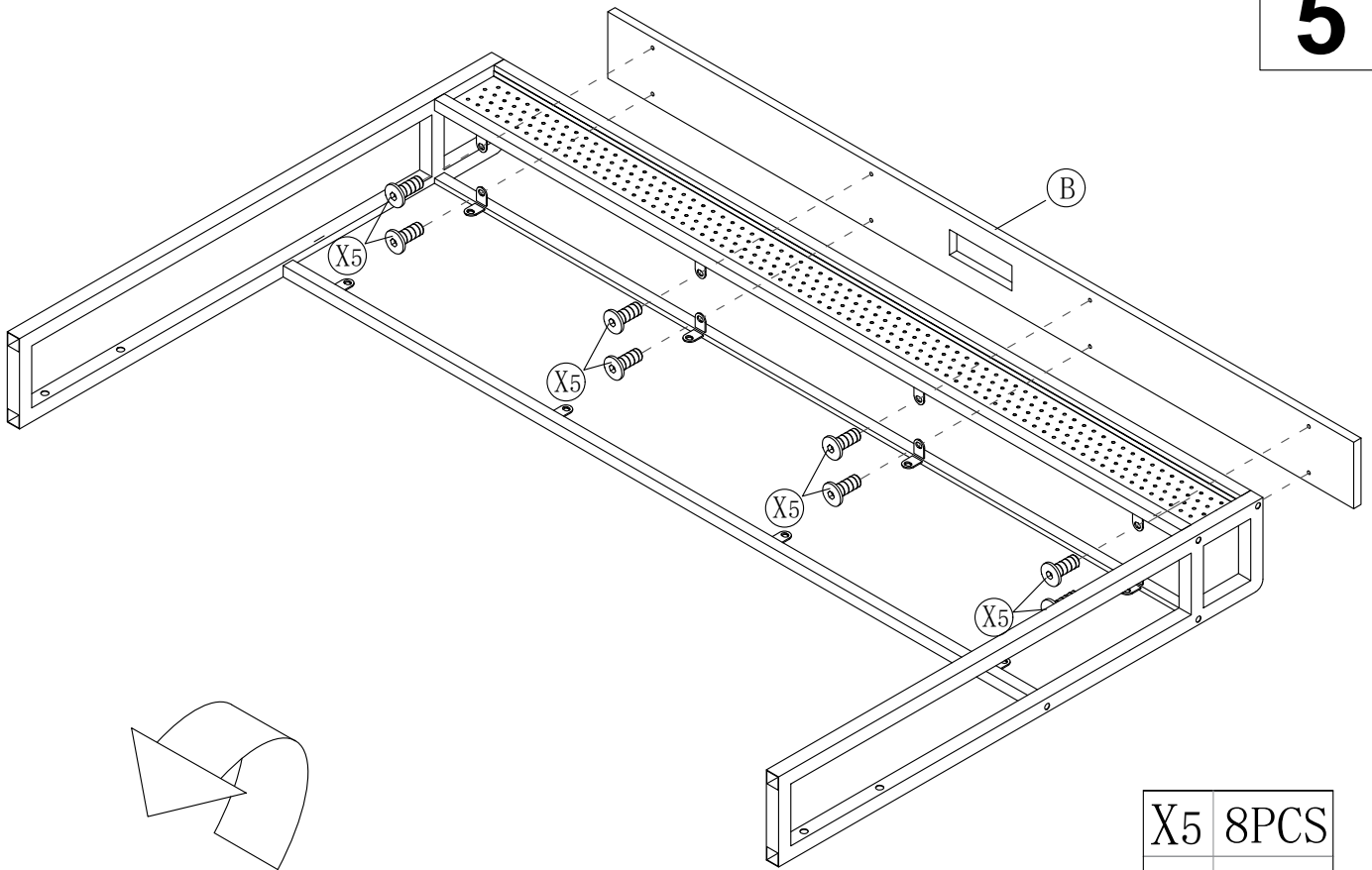
3



4

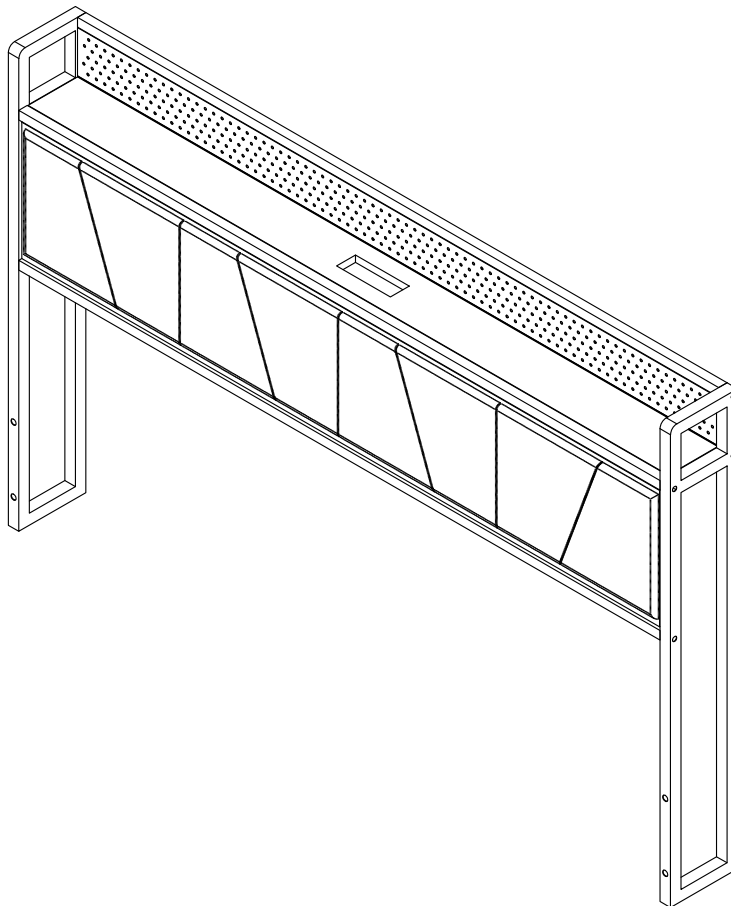


5

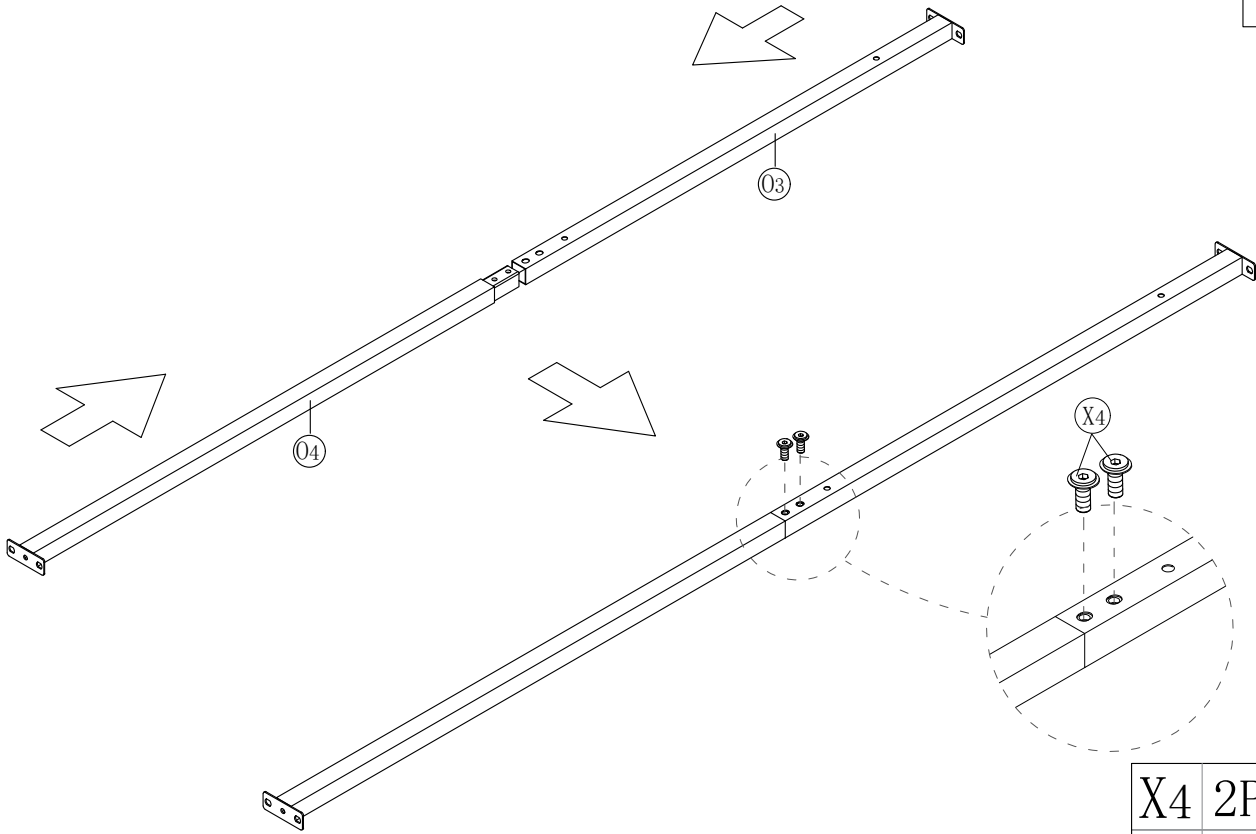


X5	8PCS
	M6*14mm

6

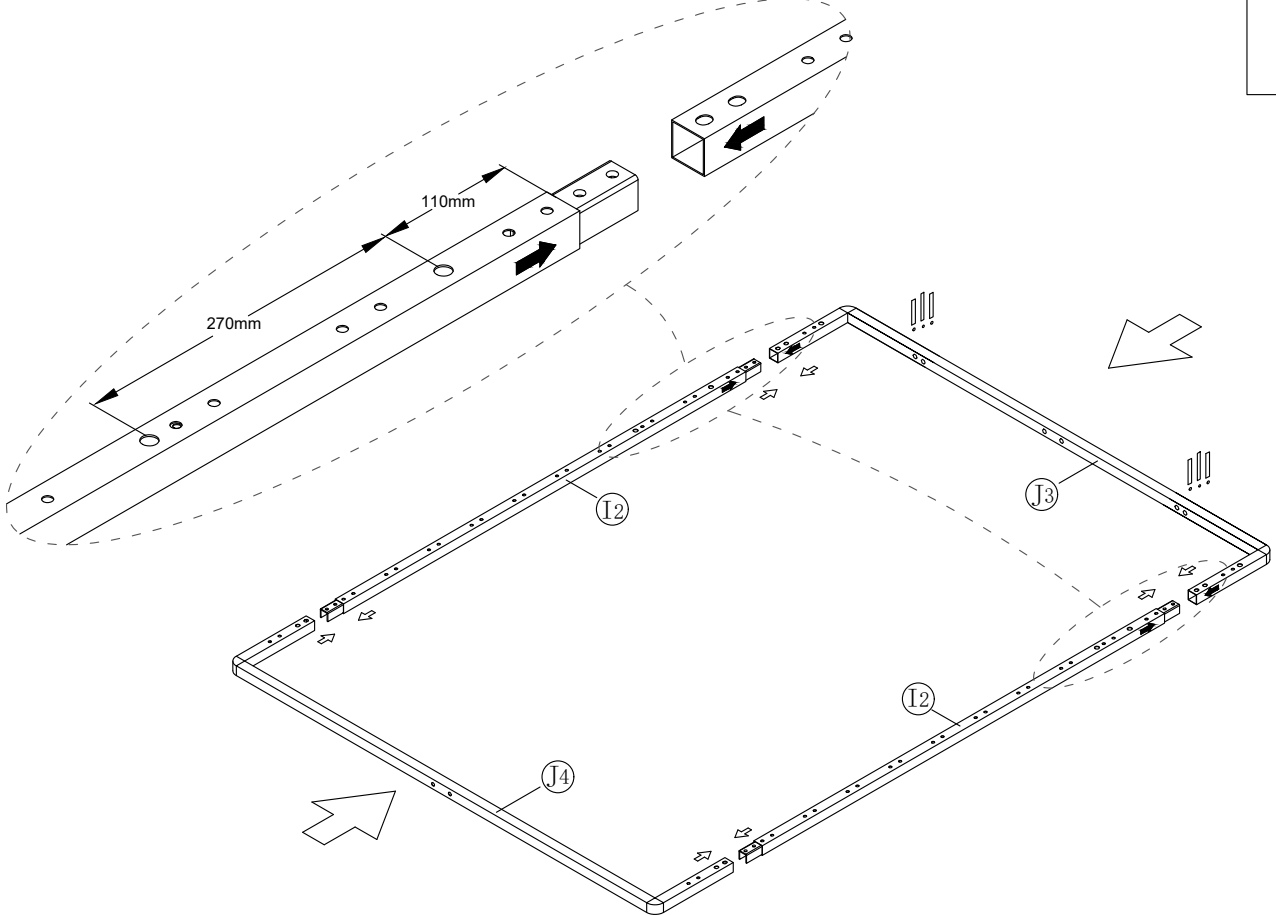


7

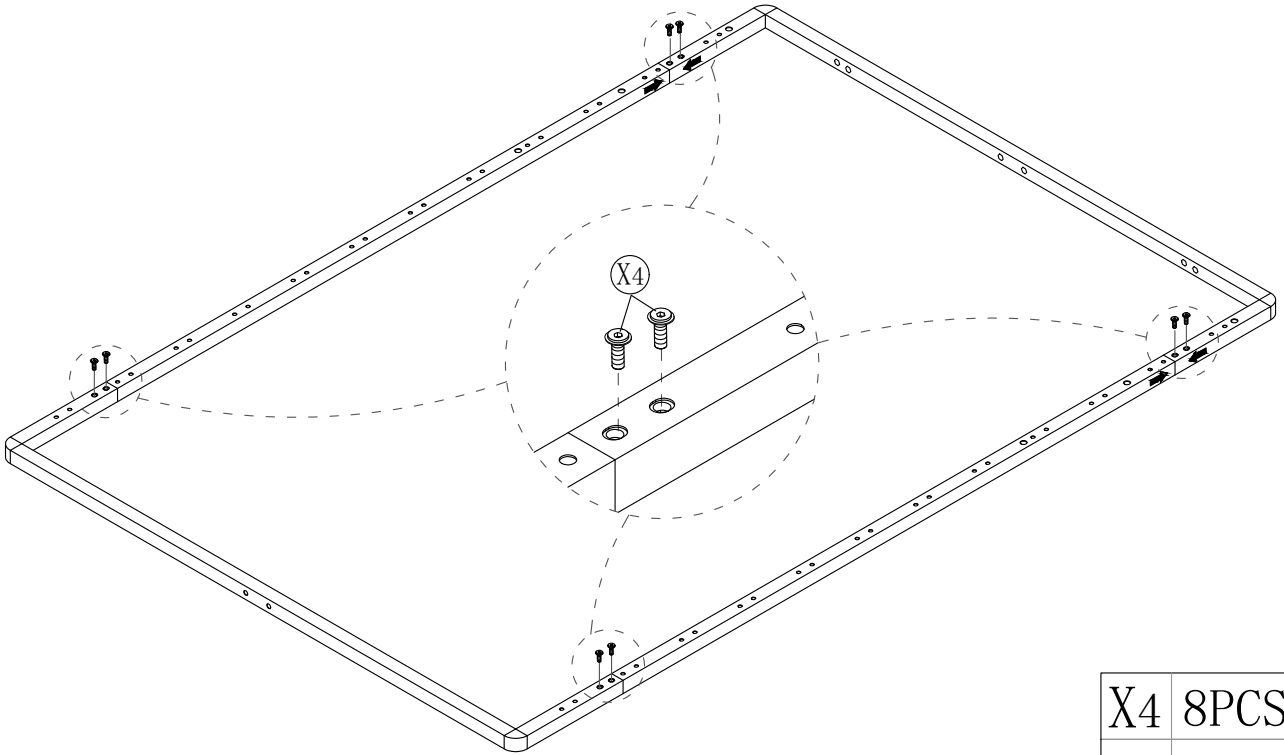



X4	2PCS
	M8*16mm

8

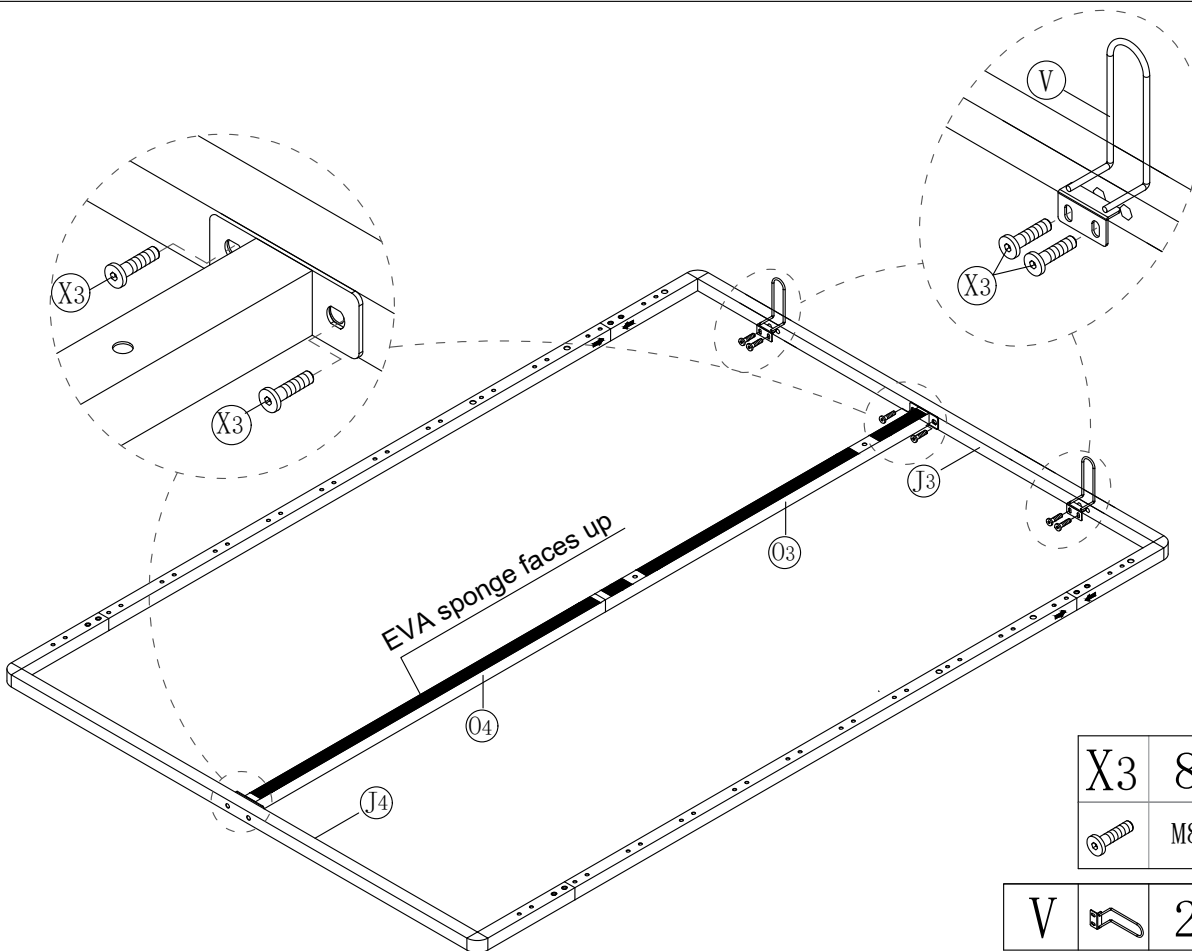


9

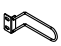


X4	8PCS
	M8*16mm

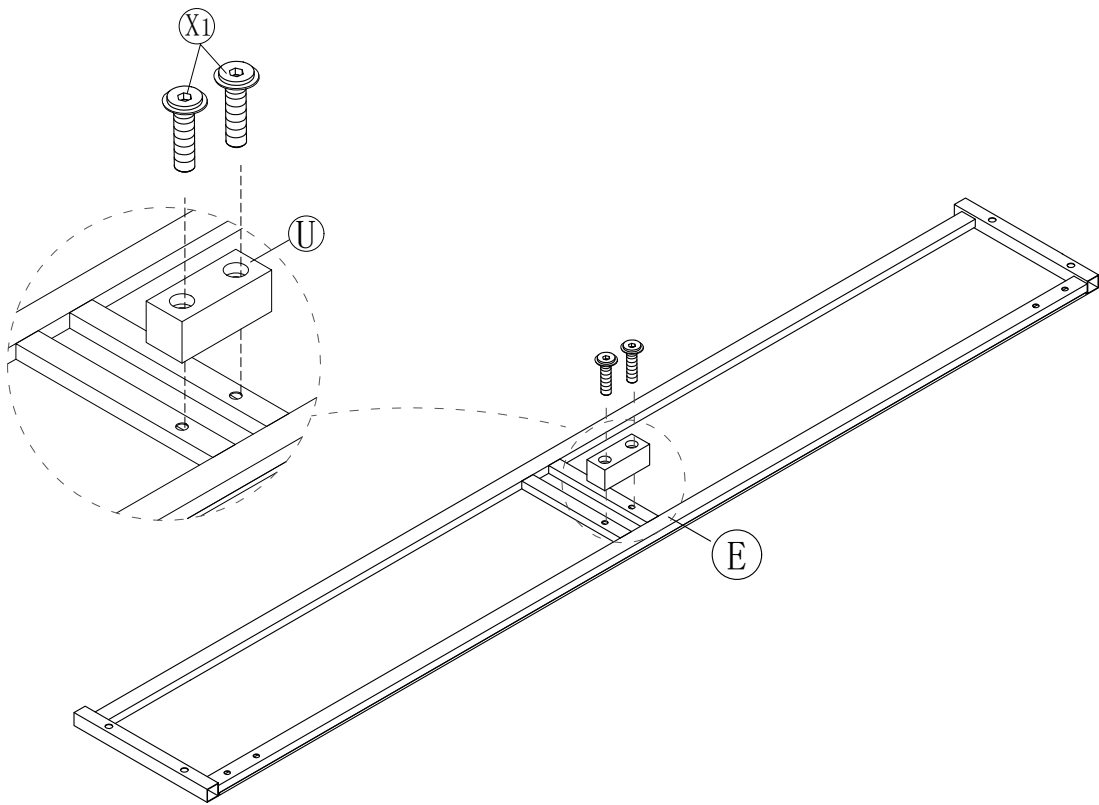
10




X3	8PCS
	M8*30mm

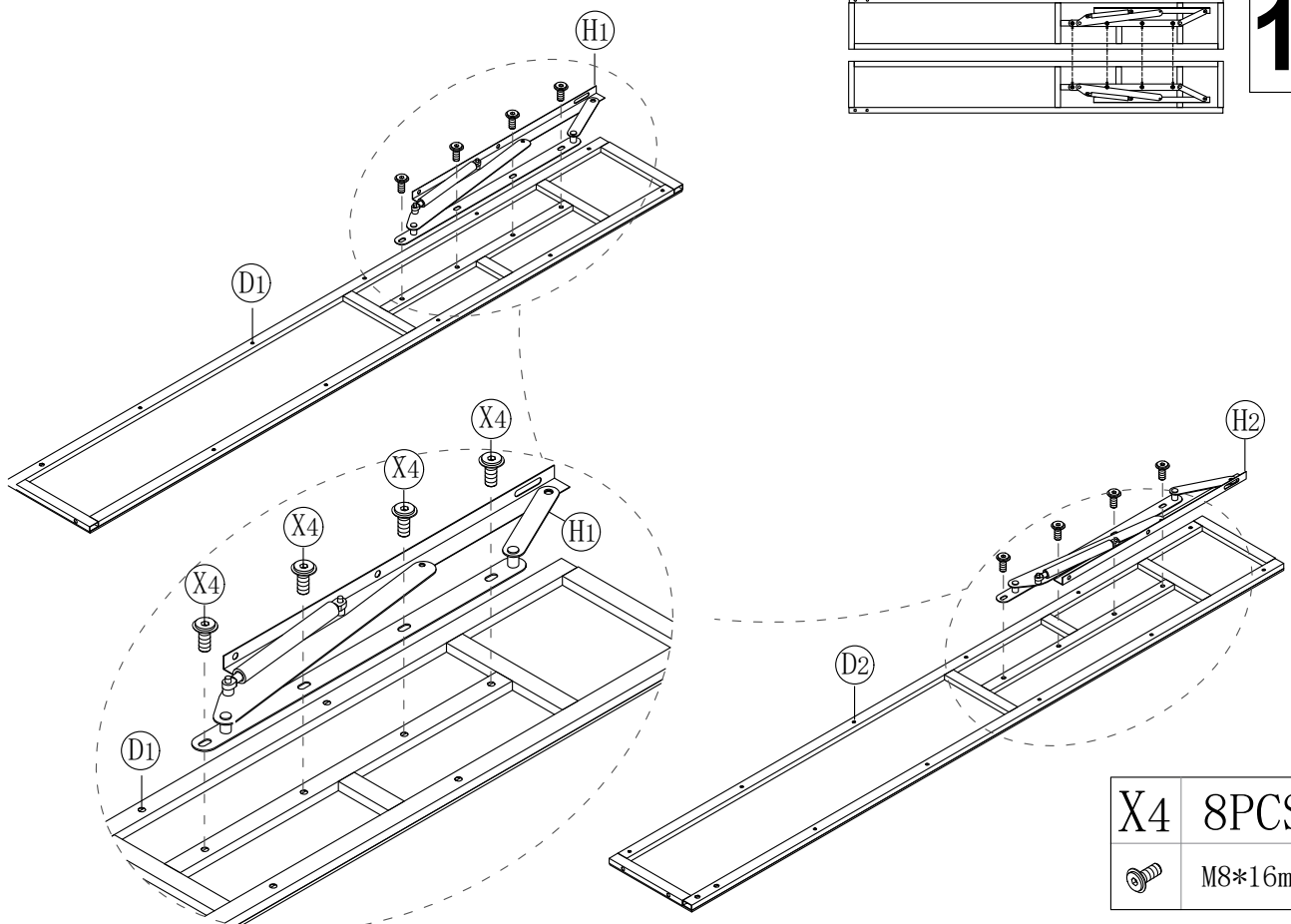
V		2PCS
---	---	------


11



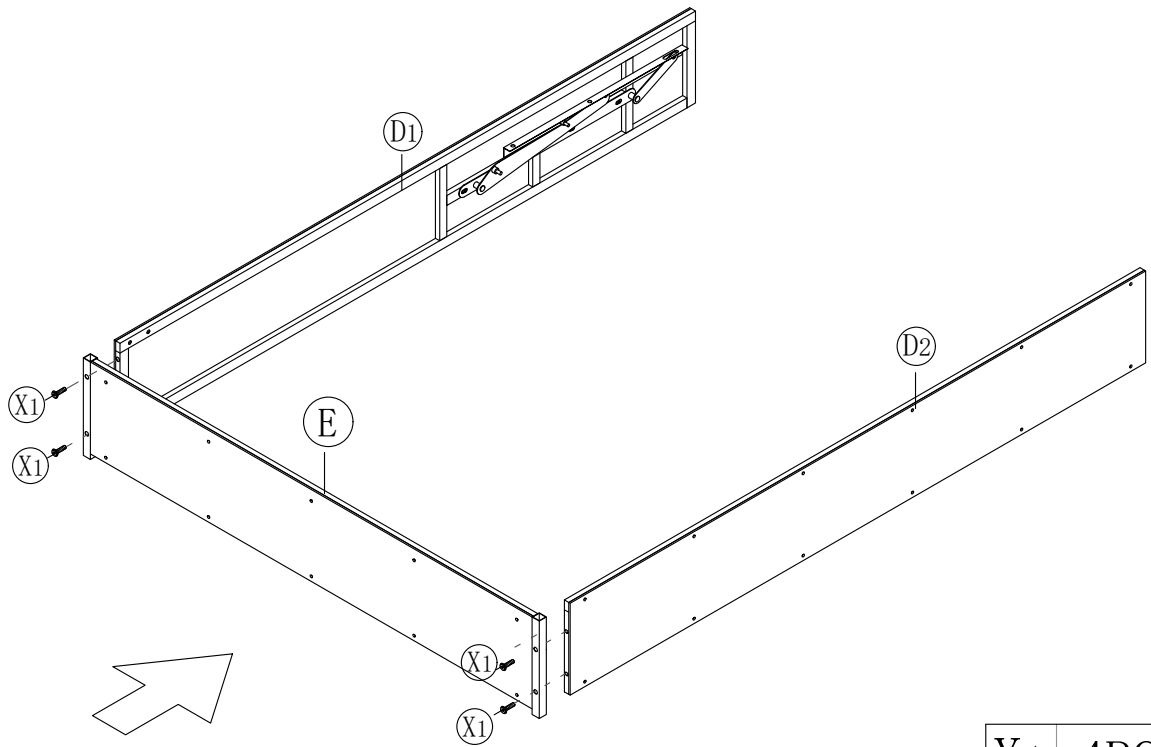
X1	2PCS
	M8*45mm


12



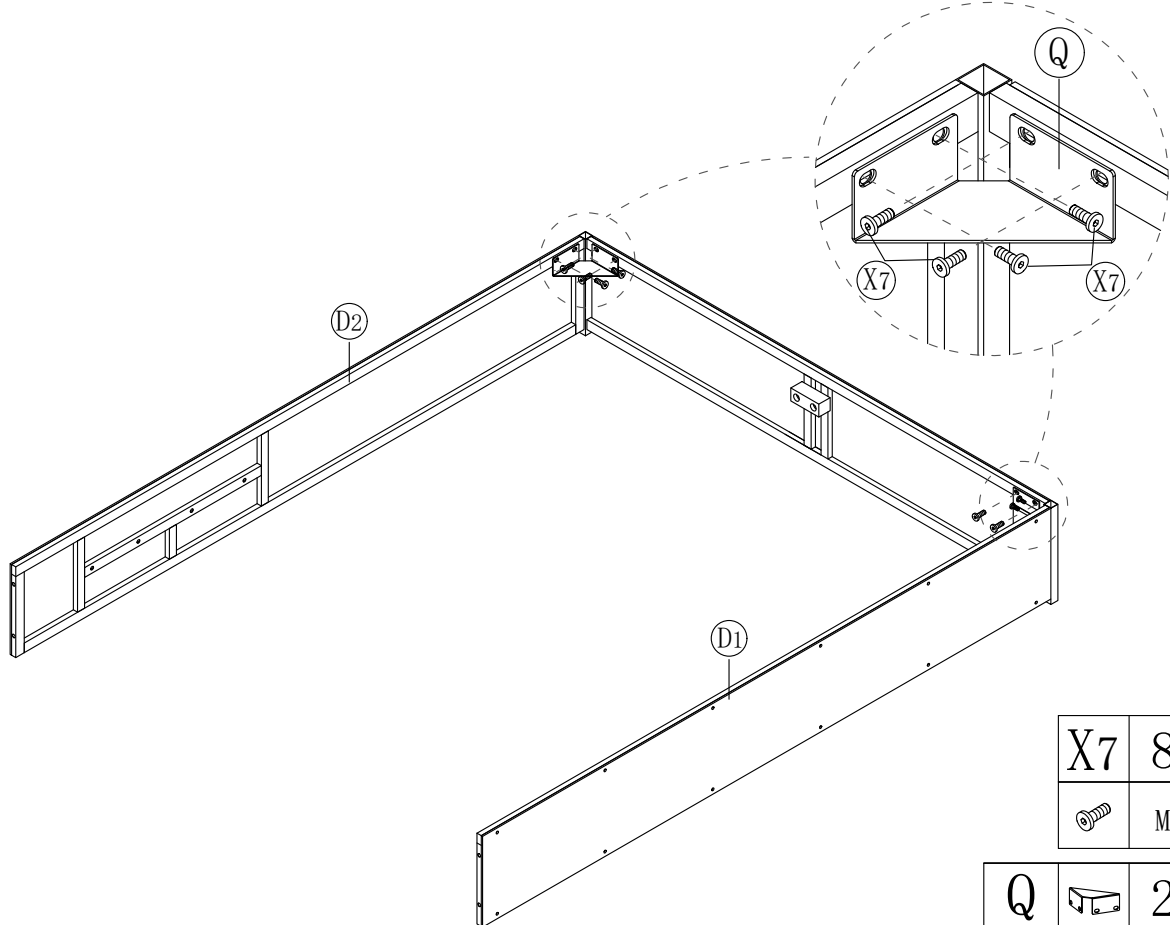
X4	8PCS
	M8*16mm


13




X1	4PCS
	M8*45mm

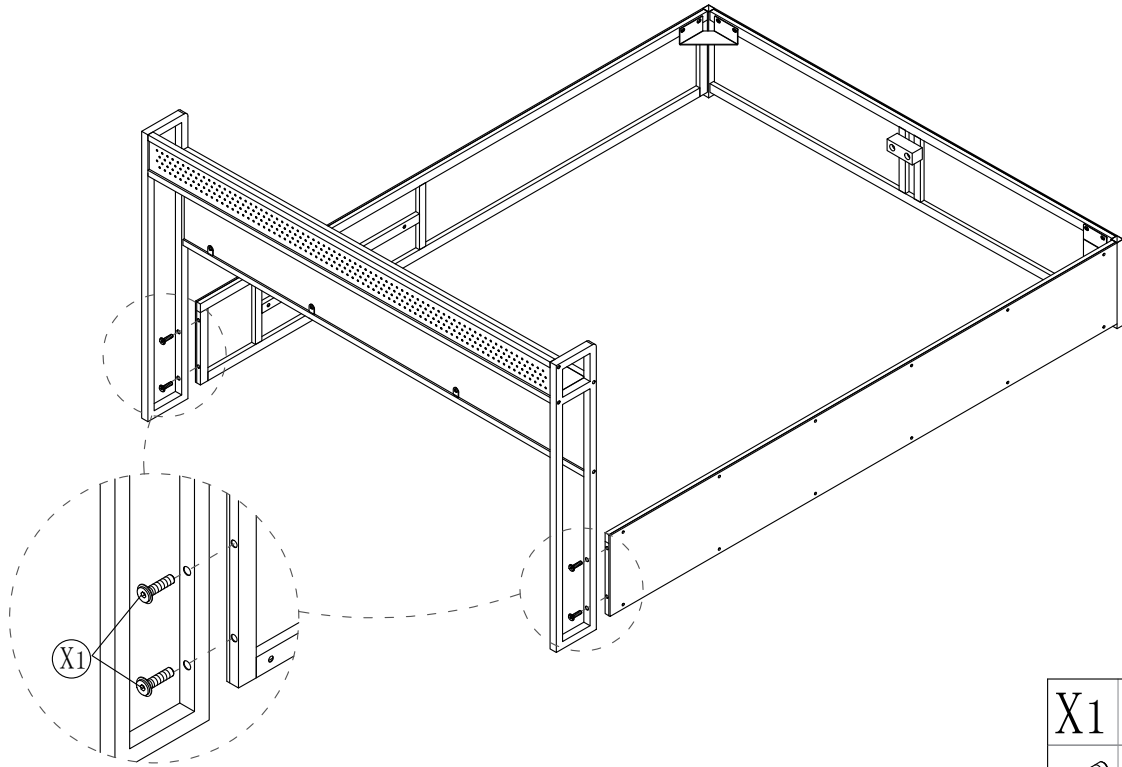
14




X7	8PCS
	M8*16mm

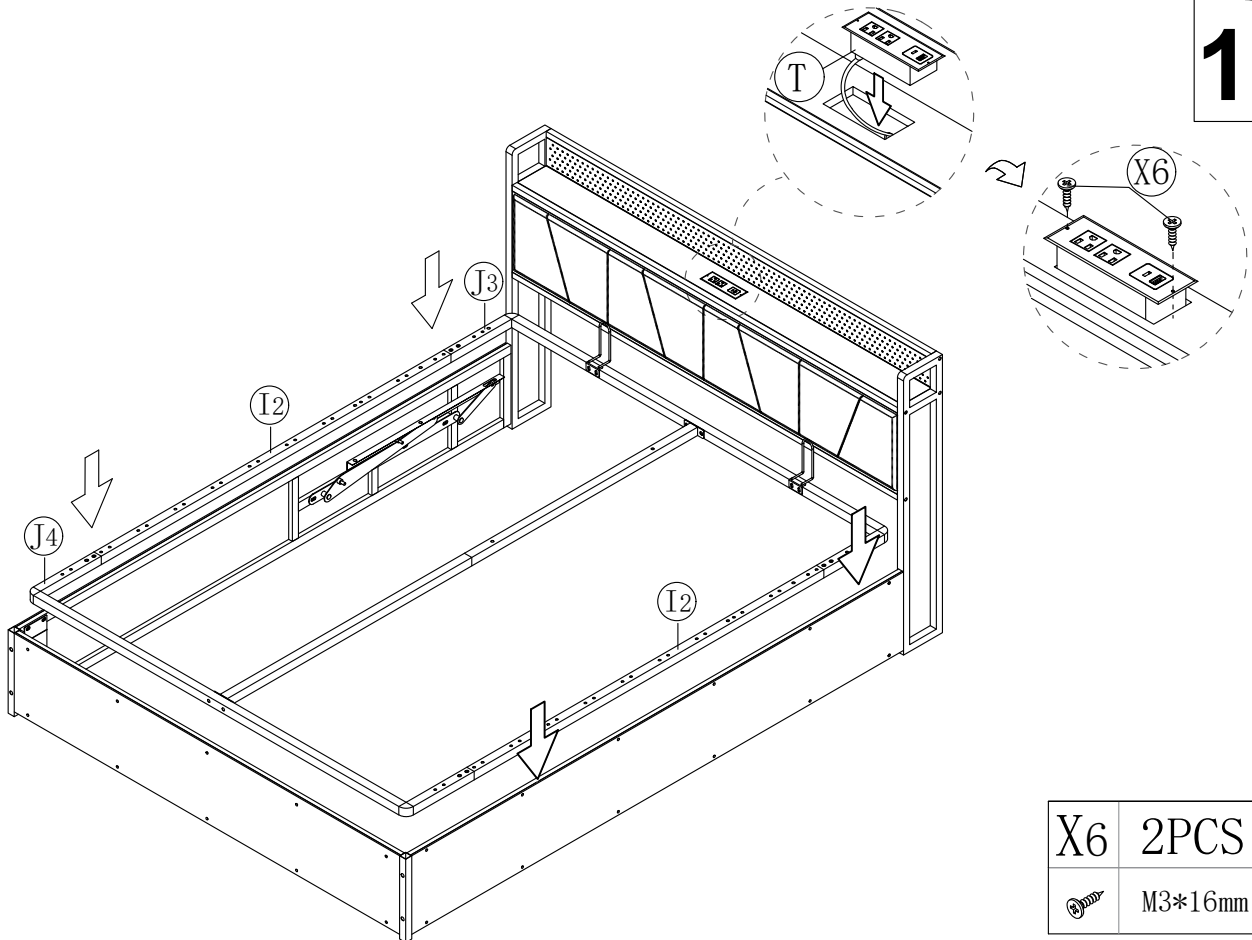
Q		2PCS
---	---	------


15



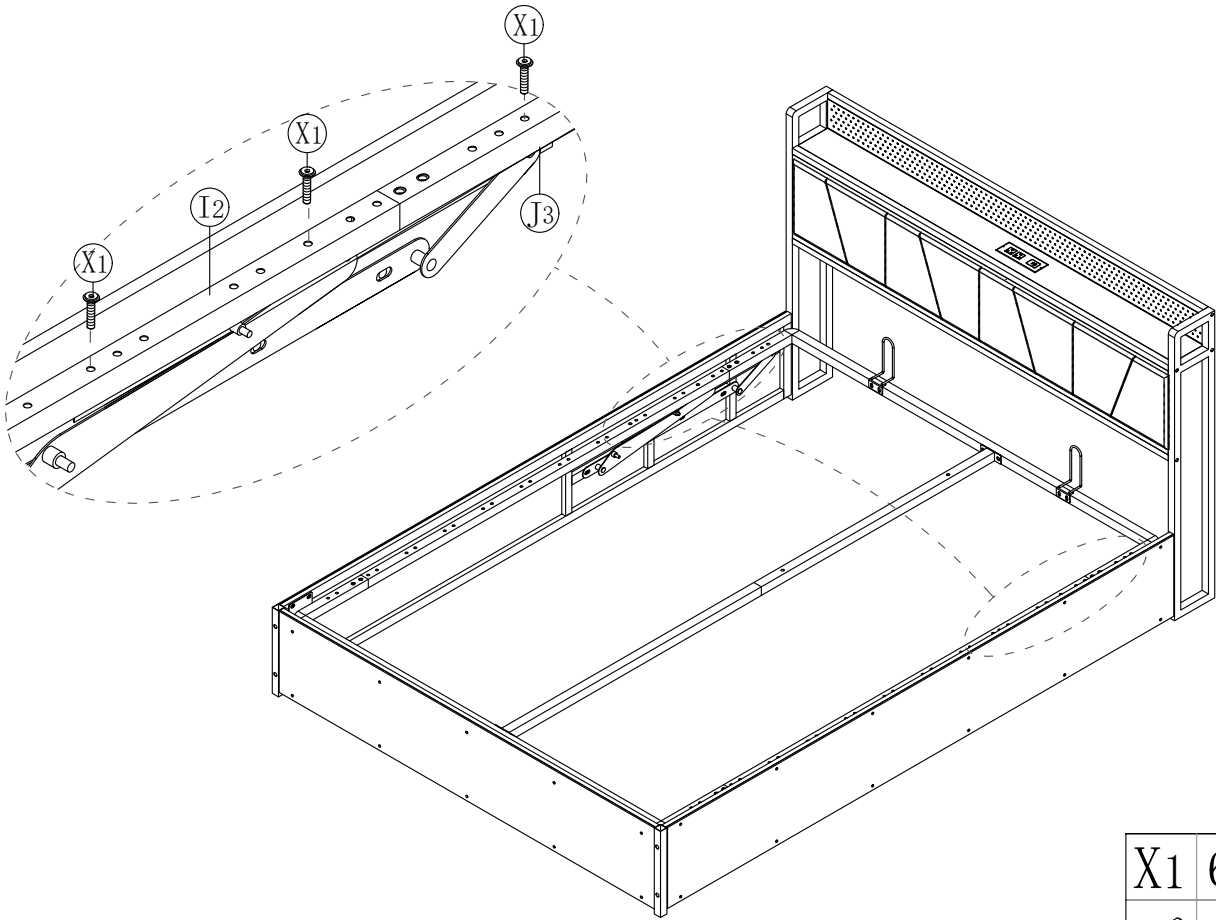
X1	4PCS
	M8*45mm


16



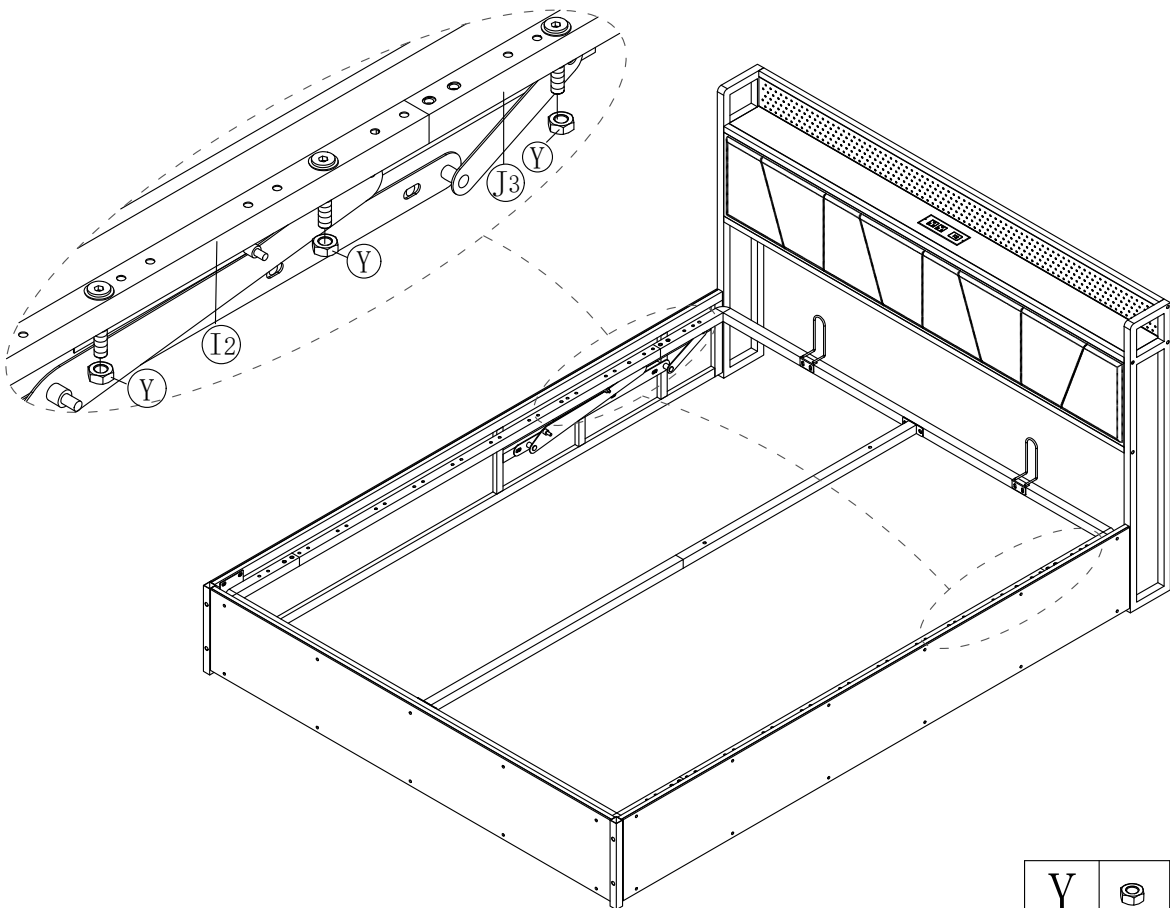
X6	2PCS
	M3*16mm

17



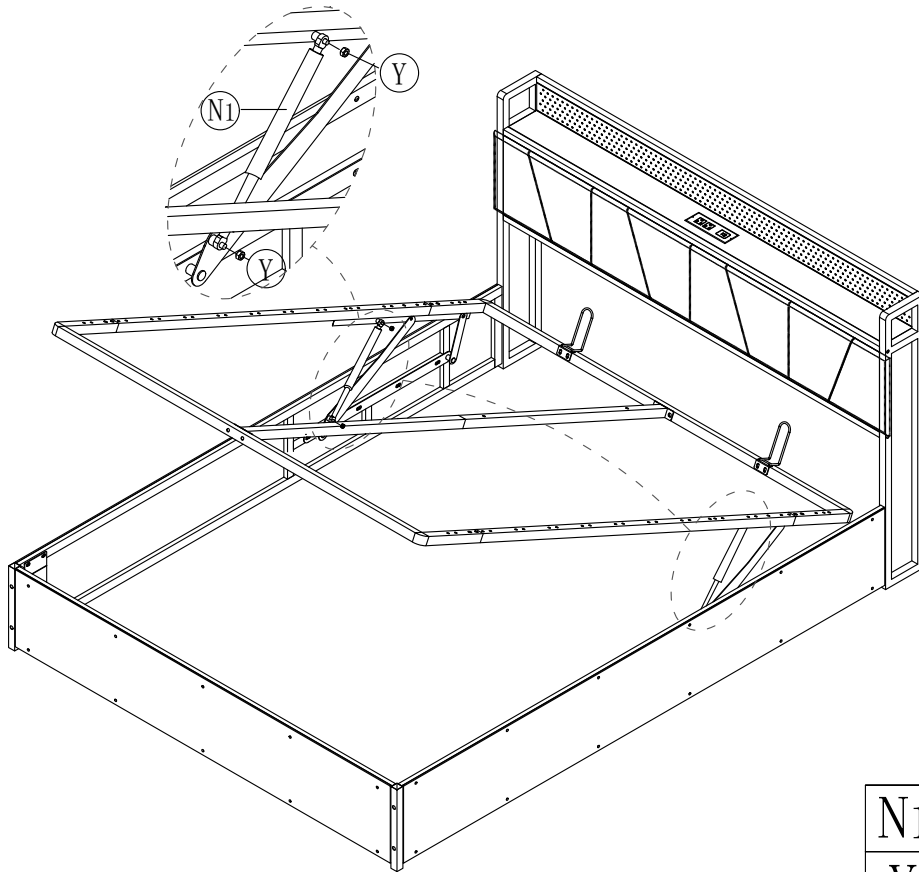
X1	6PCS
	M8*45mm

18





Y		6PCS
---	---	------

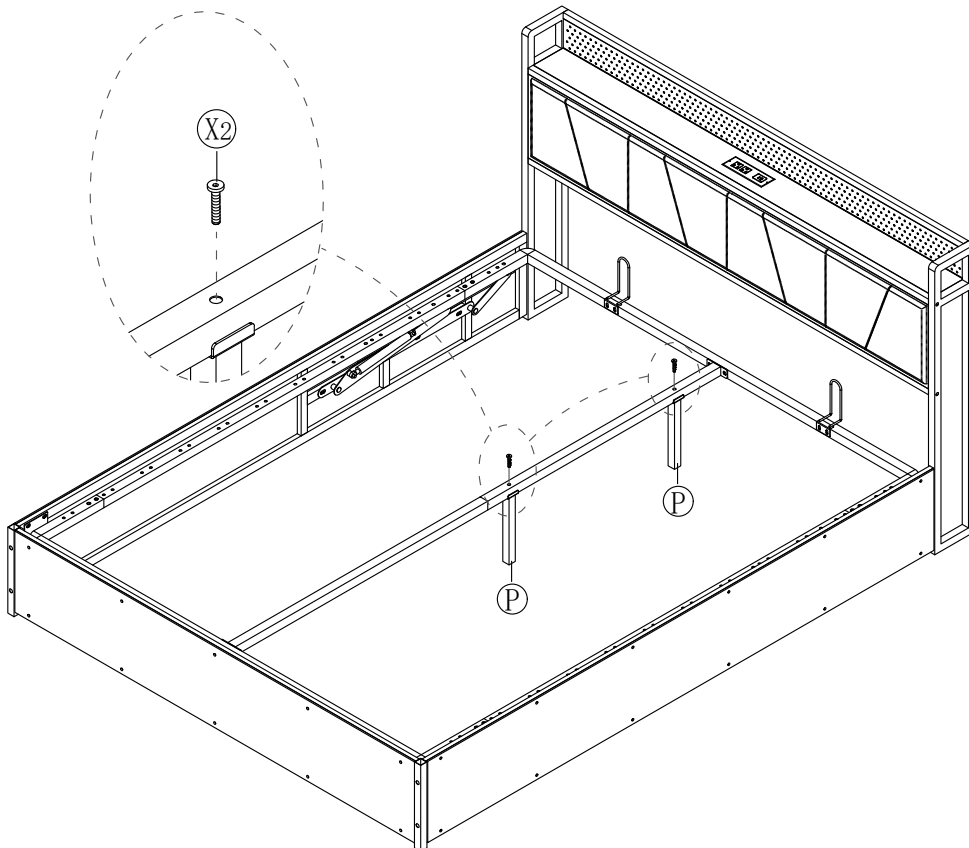
19




Lock all the screws.

N1		2PCS
Y		4PCS

20



X2	2PCS
	M8*40mm

